



US00D365324S

United States Patent [19] Grande

[11] Patent Number: **Des. 365,324**

[45] Date of Patent: ***** Dec. 19, 1995**

[54] **COMMUNICATIONS JACK**
[75] Inventor: **Frank A. Grande**, Highland Beach, Fla.

4,795,352 1/1989 Capp et al. 439/581 X
4,995,815 2/1991 Buchanan et al. 439/581 X
5,001,443 3/1991 Martin, III 439/581 X

[73] Assignee: **Hose-McCann Telephone Co., Inc.**, Deerfield Beach, Fla.

FOREIGN PATENT DOCUMENTS

277035 8/1988 European Pat. Off. 439/578
159975 6/1989 Japan 439/581
2224890 5/1990 United Kingdom 439/375

[*] Notice: The portion of the term of this patent subsequent to Jul. 25, 2009, has been disclaimed.

OTHER PUBLICATIONS

Square flange backshells on p. 11Q of *Molex Catalog No. 890 2nd Edition*.

[**] Term: **14 Years**

VHF Deck/Bulkhead connector, item 308087-10 on p. 123 of *Boat/U.S.*, 1992.

[21] Appl. No.: **29,719**

Primary Examiner—Joel Sincavage
Attorney, Agent, or Firm—Weingram & Zall

[22] Filed: **Oct. 14, 1994**

Related U.S. Application Data

[57] CLAIM

[63] Continuation-in-part of Ser. No. 22,323, May 2, 1994.
[52] U.S. Cl. **D13/133; D13/151**
[58] Field of Search D13/133, 151;
439/350, 378, 551, 569, 571, 572, 573,
578, 581, 583, 615, 661, 662, 784, 791,
801

The ornamental design for communications jack, as shown and described.

DESCRIPTION

[56] References Cited

U.S. PATENT DOCUMENTS

3,393,592 12/1966 Blonder 439/581
3,452,316 6/1969 Panek et al. 439/350 X
4,662,703 5/1987 Forney, Jr. et al. 439/578
4,702,537 10/1987 Mattingly et al. 439/350 X

FIG. 1 is a perspective view of my new communications jack design according to the present invention;
FIG. 2 is a front plan view;
FIG. 3 is a side elevational view, the opposite side elevational view being identical thereto;
FIG. 4 is another side elevational view, the opposite other side elevational view being identical thereto; and,
FIG. 5 is a rear plan view.

1 Claim, 1 Drawing Sheet

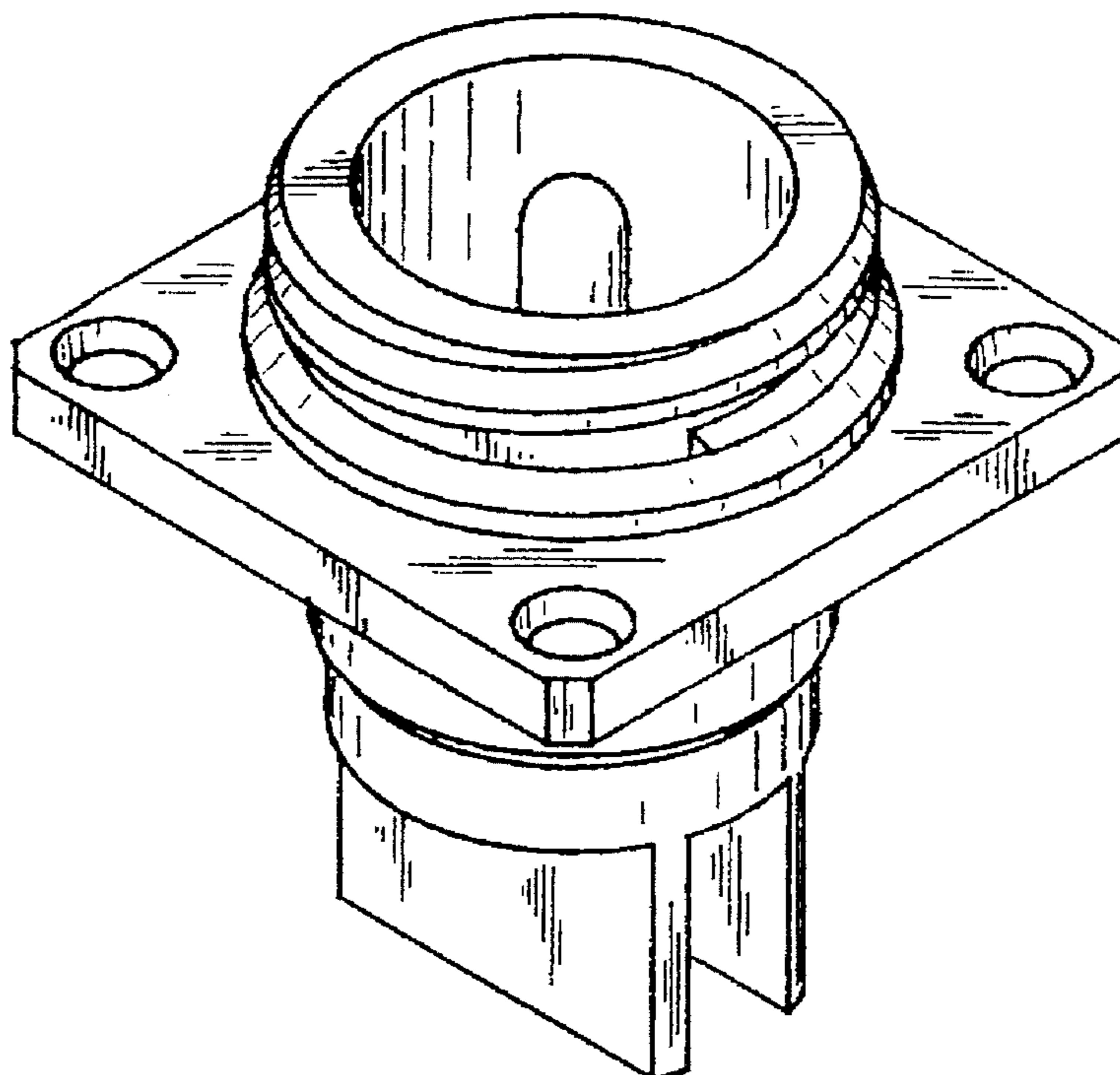


FIG. 1

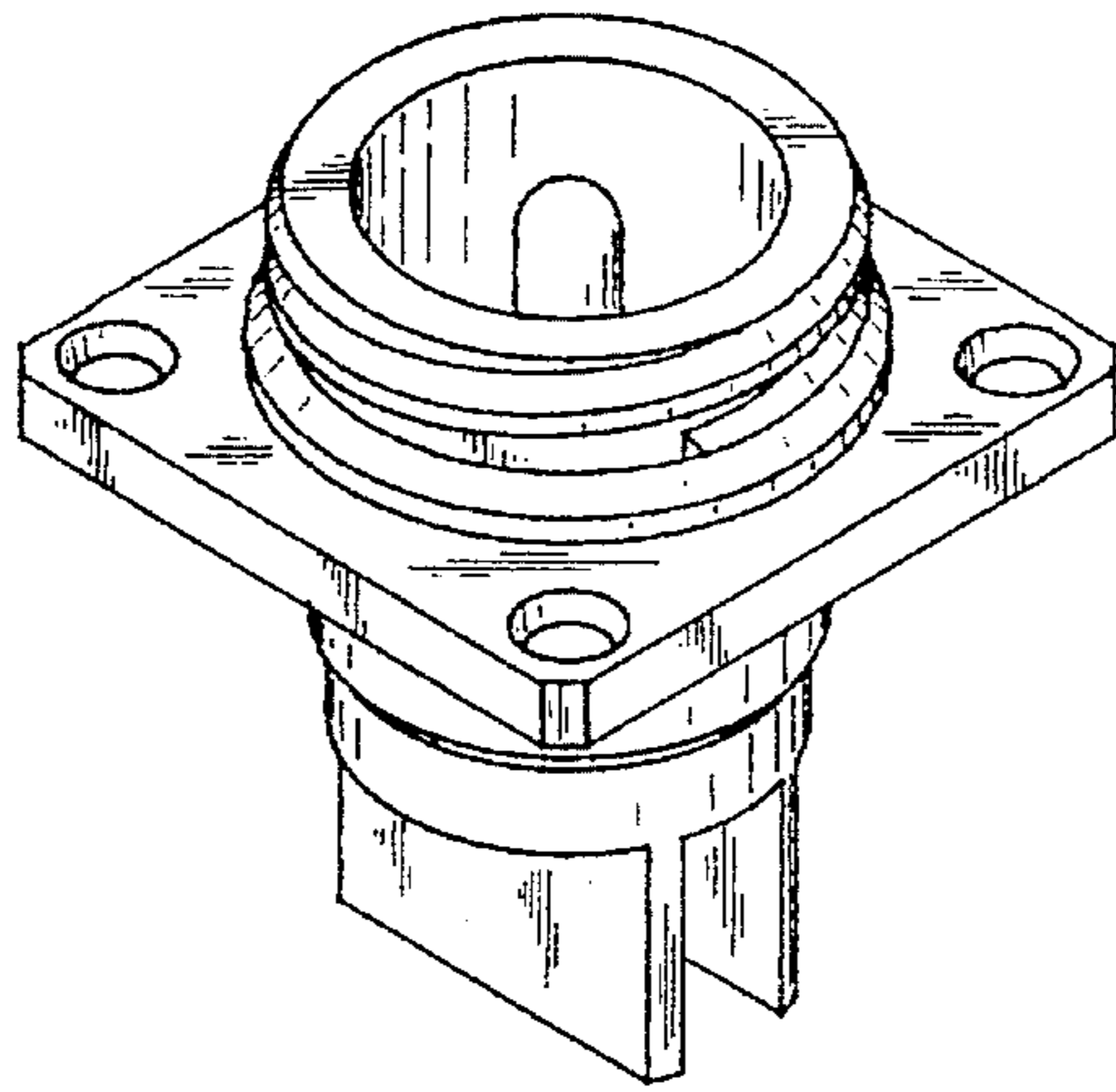


FIG. 2

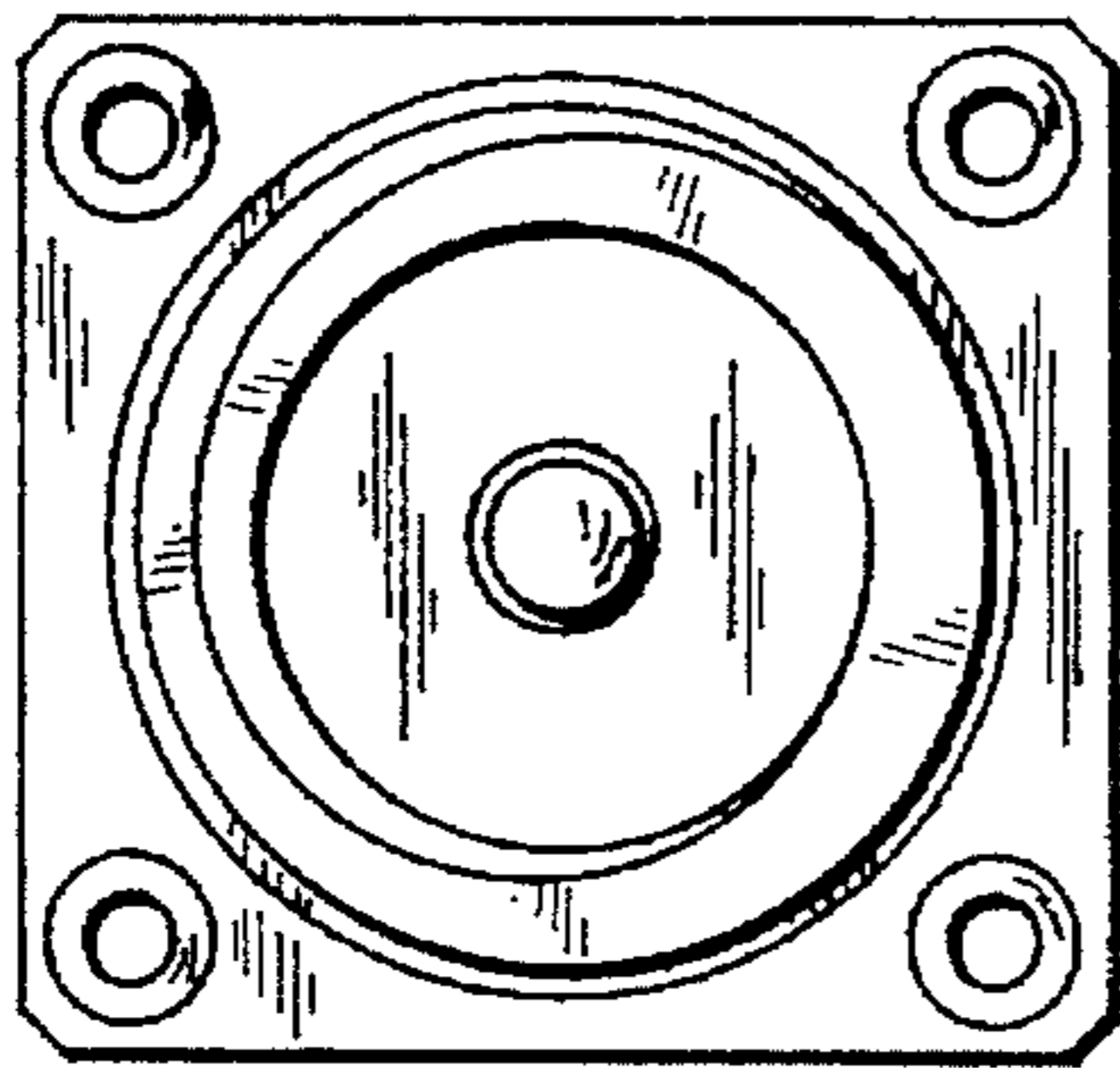


FIG. 3

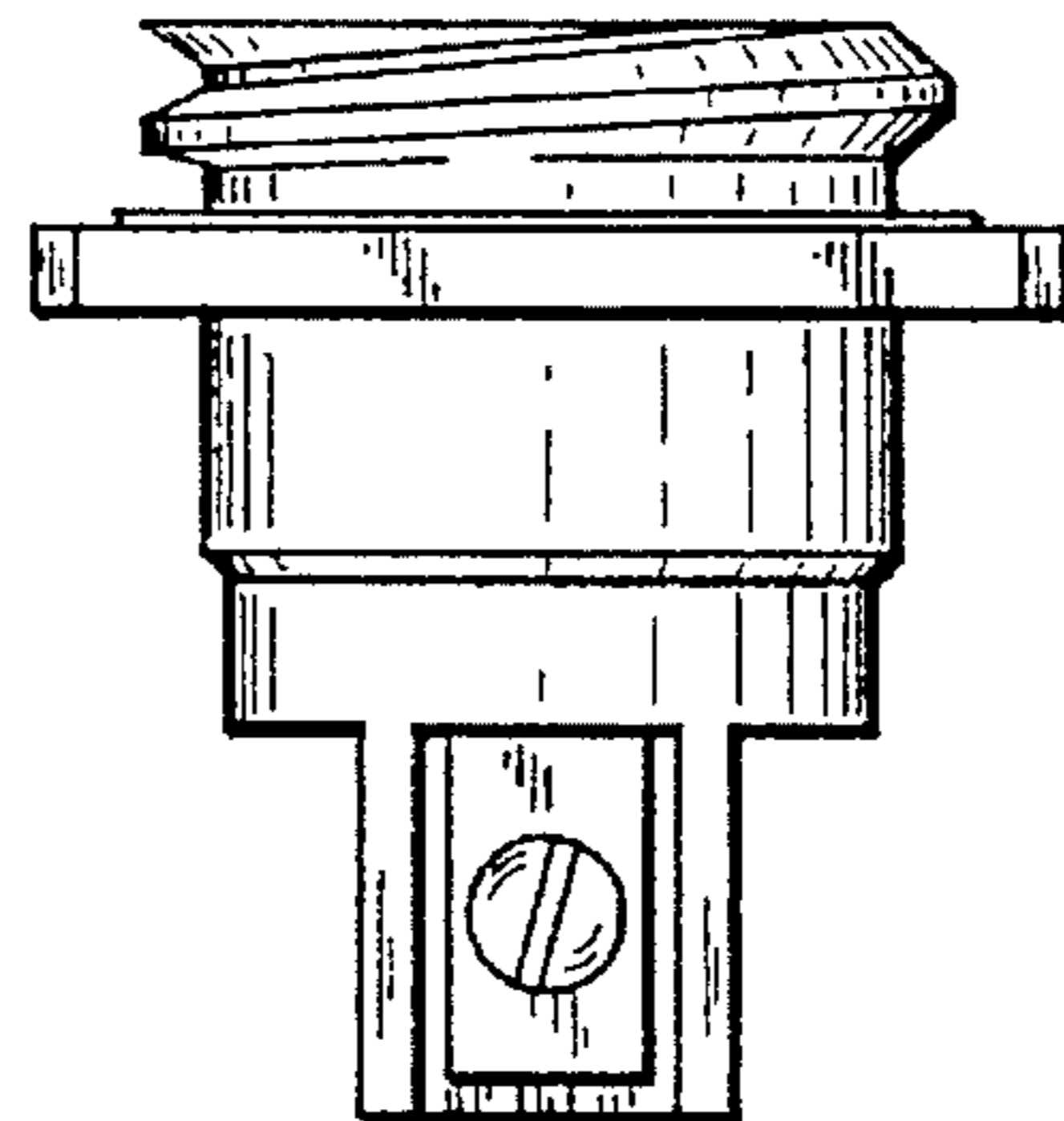


FIG. 4

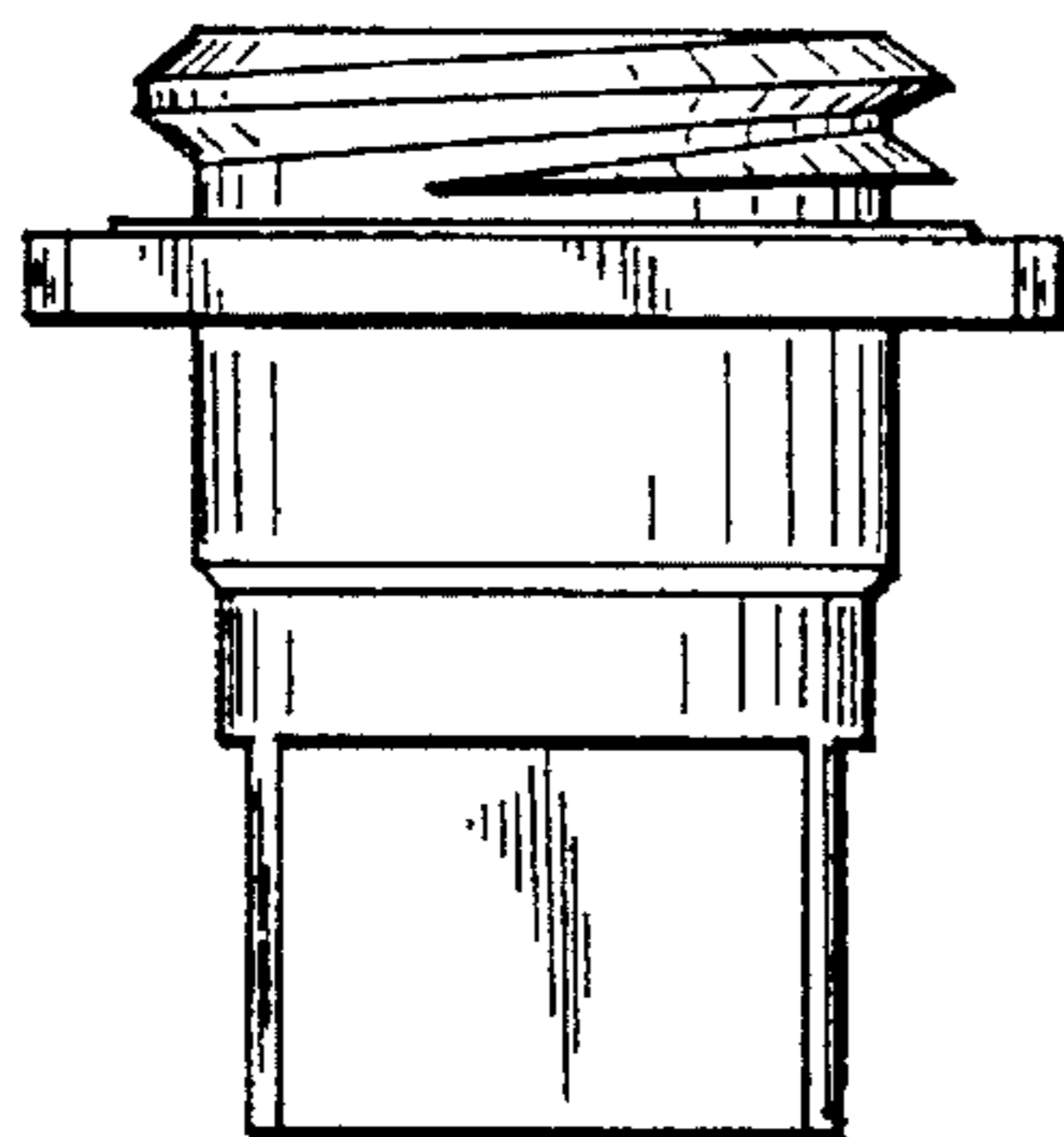


FIG. 5

