



US00D365320S

**United States Patent** [19]  
**Franz**

[11] **Patent Number: Des. 365,320**  
[45] **Date of Patent: \*\*Dec. 19, 1995**

[54] **WINDSHIELD WIPER REFILL BACKING STRIP**

[76] Inventor: **Buechele Franz**, 501 Hood Lake Rd., Lawrenceburg, Tenn. 38464

[\*\*] Term: **14 Years**

[21] Appl. No.: **928,239**

[22] Filed: **Aug. 11, 1992**

[52] **U.S. Cl.** ..... **D12/220**

[58] **Field of Search** ..... **D12/155; 15/250.31, 15/250.35, 250.36, 250.41, 250.42; D25/119, 120, 121**

[56] **References Cited**

**U.S. PATENT DOCUMENTS**

4,649,592 3/1987 Beneteau ..... 15/250.36

**OTHER PUBLICATIONS**

Van Huffel Catalog, Extrusion No. 2201/.037, bottom right side of page.

Van Huffel Catalog, p. 33, Extrusion No. 1011/.035, center

right side of page & Extrusion No. 2741/.050, bottom left side of page.

*Primary Examiner*—James M. Gandy

[57] **CLAIM**

The ornamental design for a windshield wiper refill backing strip, as shown.

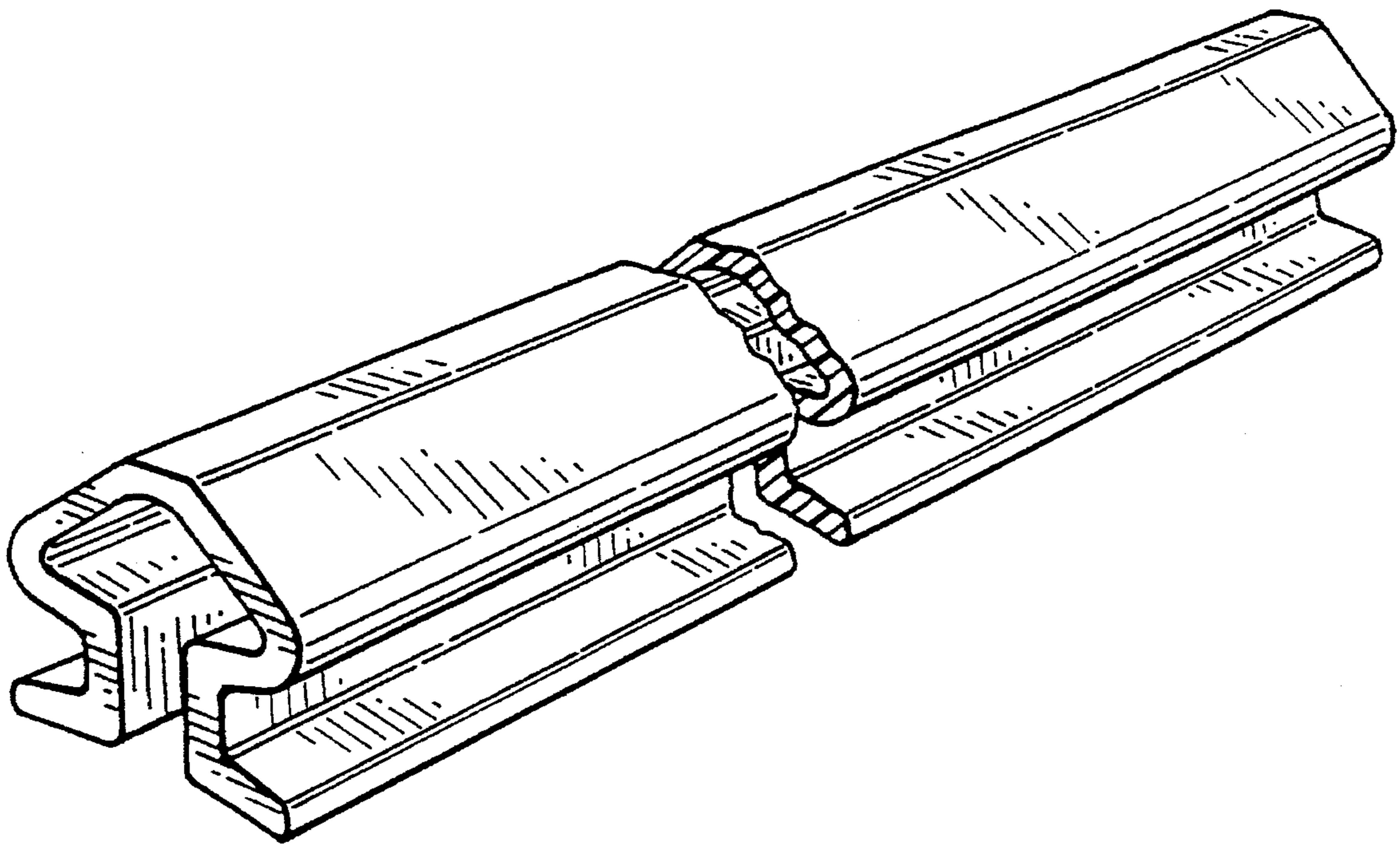
**DESCRIPTION**

FIG. 1 is a perspective view of the top side and end of a windshield wiper refill backing strip showing my new design which has been broken away in the middle to indicate indeterminate length;

FIG. 2 is a perspective view of the bottom opposite end thereof; and,

FIG. 3 is an end elevation view thereof.

**1 Claim, 1 Drawing Sheet**



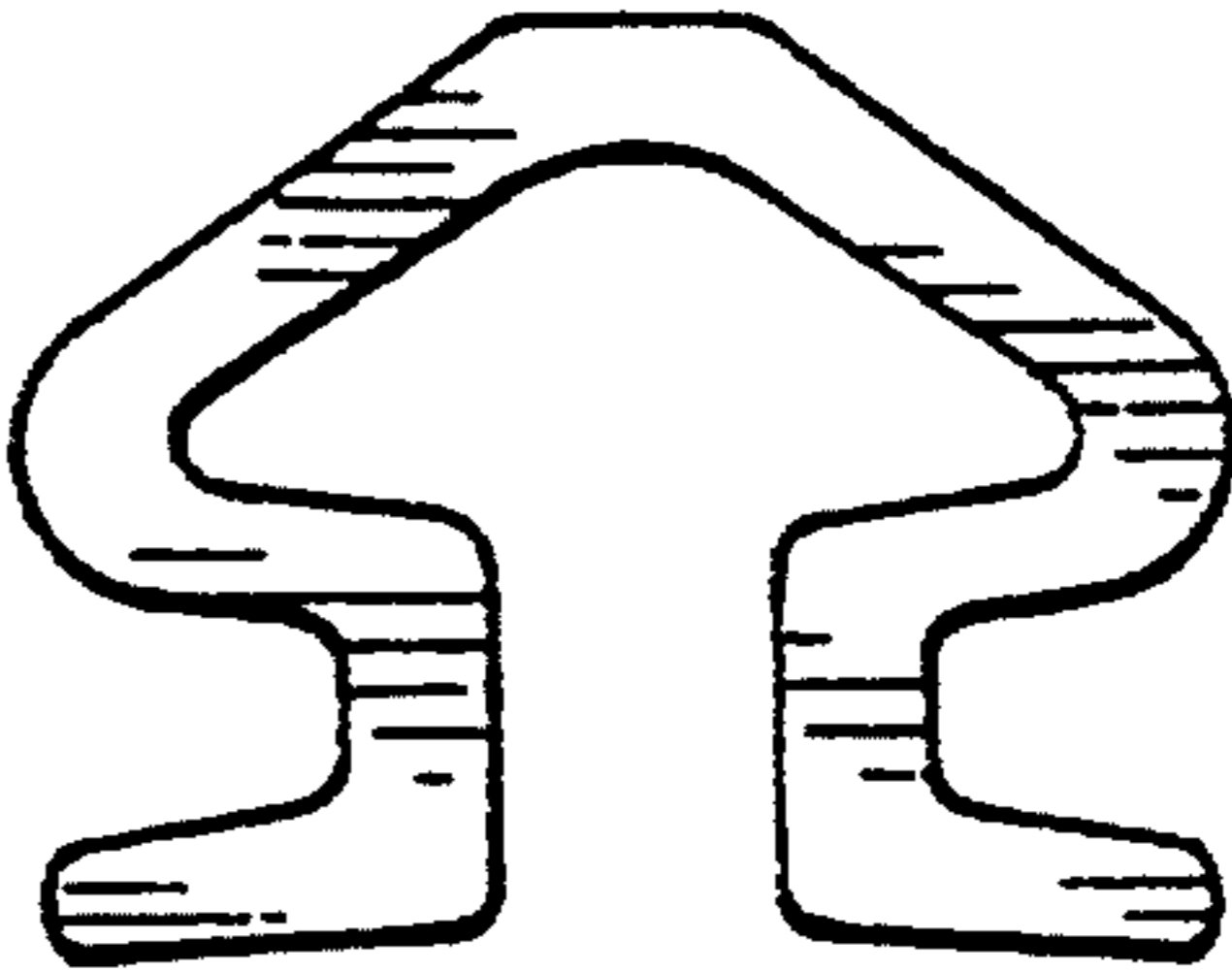
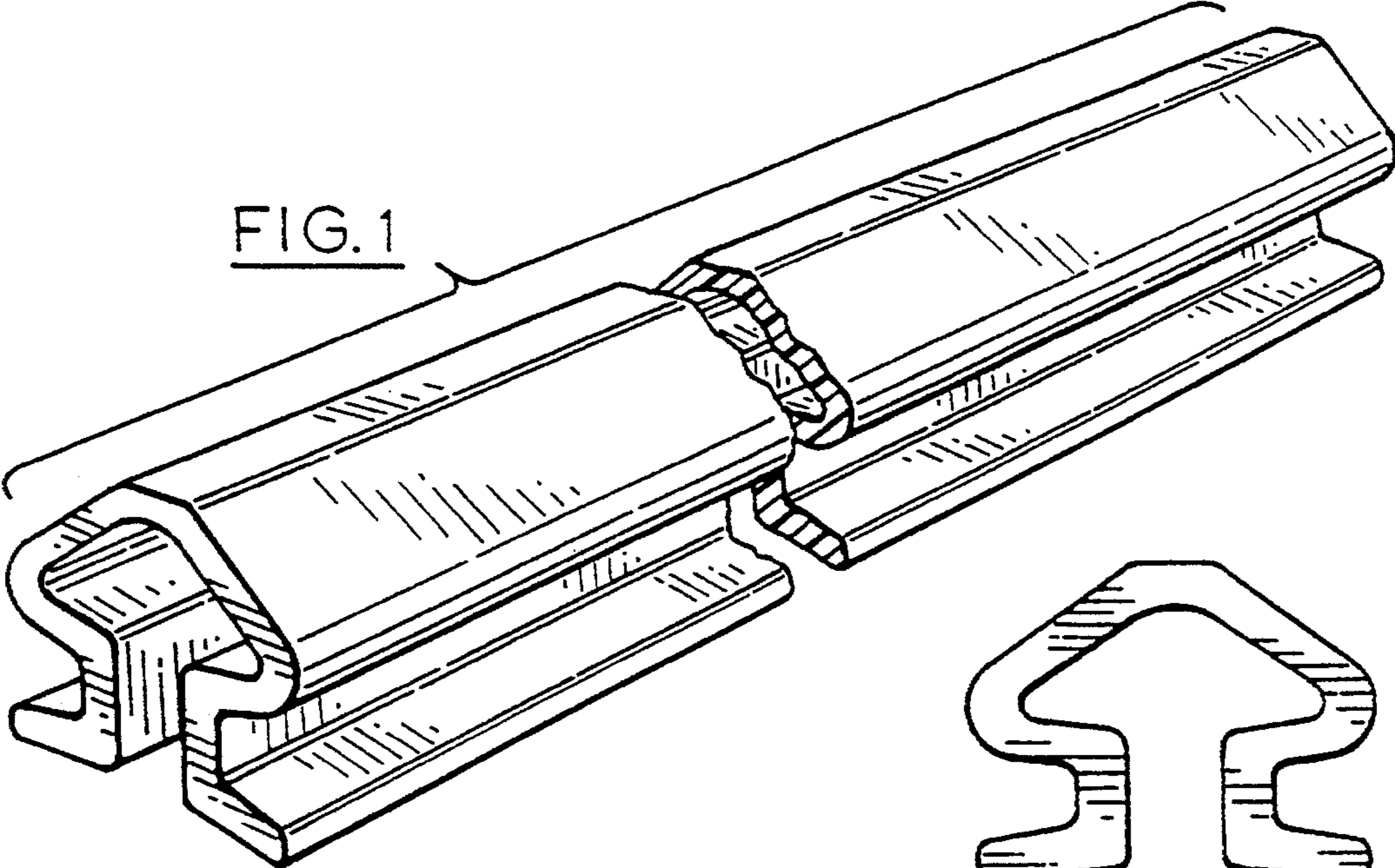


FIG. 3

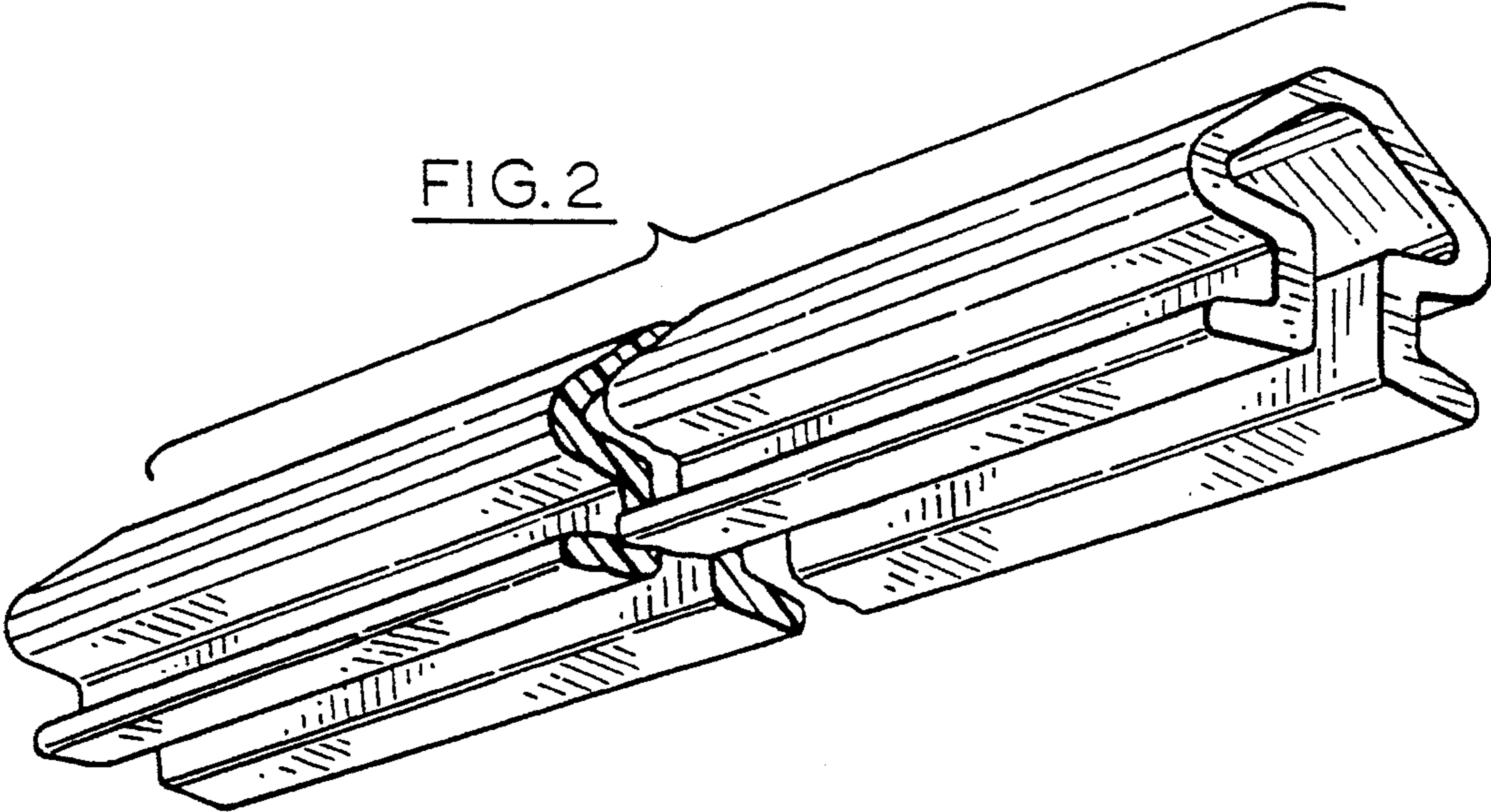


FIG. 2

UNITED STATES PATENT AND TRADEMARK OFFICE  
**CERTIFICATE OF CORRECTION**

PATENT NO. : D 365,320  
DATED : December 19, 1995  
INVENTOR(S) : Franz Buechele

It is certified that error appears in the above-identified patent and that said Letters Patent is hereby corrected as shown below:

On the Title page, under item [19], "Franz" should be --Buechele-- and in item [76], Inventor's name should read --Franz Buechele--.

Signed and Sealed this  
Ninth Day of July, 1996



BRUCE LEHMAN

Commissioner of Patents and Trademarks

Attest:

Attesting Officer