



US00D365315S

United States Patent [19]

Parker, Jr.

[11] Patent Number: **Des. 365,315**

[45] Date of Patent: ****Dec. 19, 1995**

[54] **EXTENDABLE BOAT TRAILER HITCH**

5,071,151 12/1991 Irwin 280/476.1
5,108,121 4/1992 Colles 280/414.1

[76] Inventor: **Warner D. Parker, Jr.**, 583A White Oak St., Shaw AFB, S.C. 29152

Primary Examiner—A. Hugo Word
Assistant Examiner—M. Brown

[**] Term: **14 Years**

[57] **CLAIM**

[21] Appl. No.: **24,619**

The ornamental design for an extendable boat trailer hitch, as shown and described.

[22] Filed: **Jun. 17, 1994**

[52] U.S. Cl. **D12/162**

DESCRIPTION

[58] Field of Search D12/162; 280/414.1, 280/414.2, 476.1

FIG. 1 is a front elevational view of the extendable boat trailer hitch showing my new design; FIG. 2 is a rear elevational view thereof; FIG. 3 is a left side elevational view thereof; FIG. 4 is a right side elevational view thereof; FIG. 5 is a top plan view thereof; FIG. 6 is a bottom plan view thereof; and, FIG. 7 is a front elevational view thereof showing the hitch in use, the broken lines are shown for illustrative purposes only and form no part of the claimed design.

[56] **References Cited**

U.S. PATENT DOCUMENTS

D. 354,263	1/1995	Clark et al.	D12/162
2,877,025	3/1959	Guy	D12/162
3,011,800	12/1961	Mitsuyasu	D12/162
4,793,625	12/1988	Gerber	280/414.1
4,900,051	2/1990	Godbersen	280/414.1
5,002,299	3/1991	Firehammer	280/414.1
5,031,926	7/1991	Wannamaker	280/476.1

1 Claim, 4 Drawing Sheets

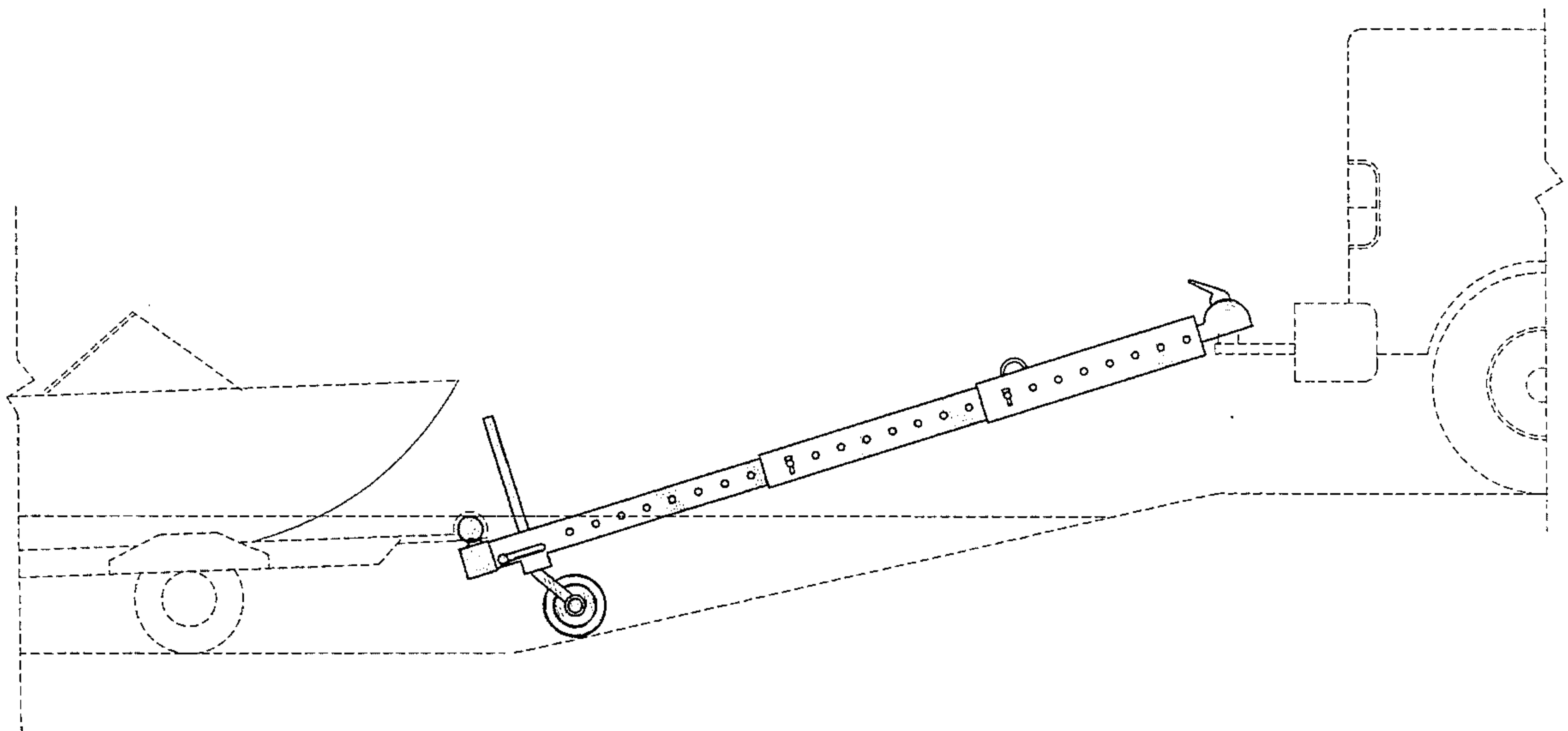


FIG. 1

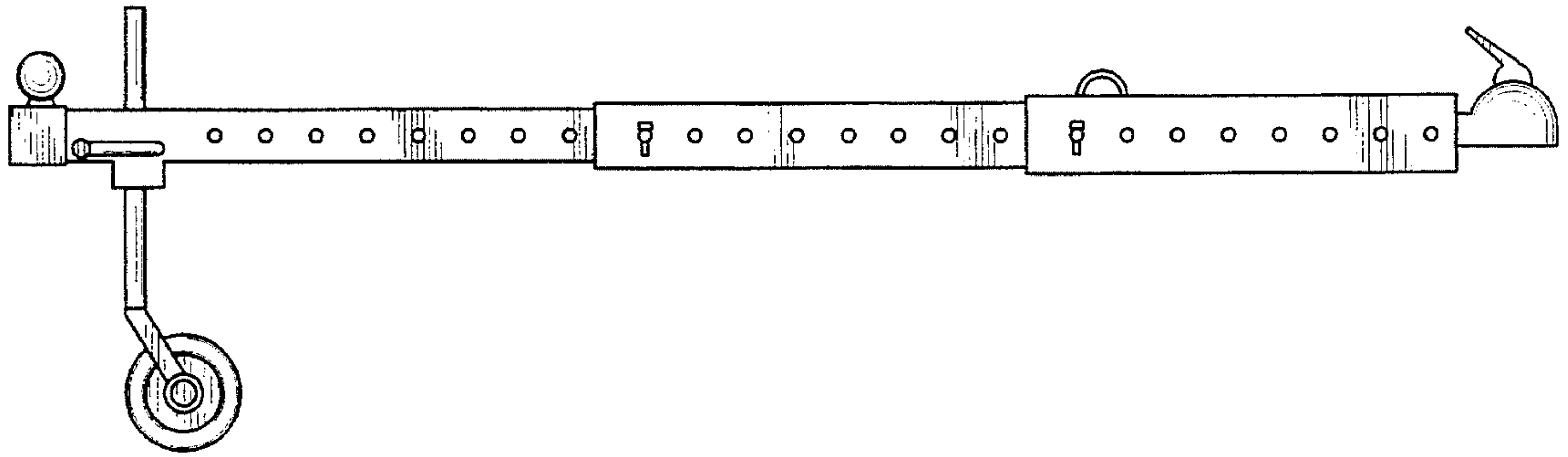


FIG. 2

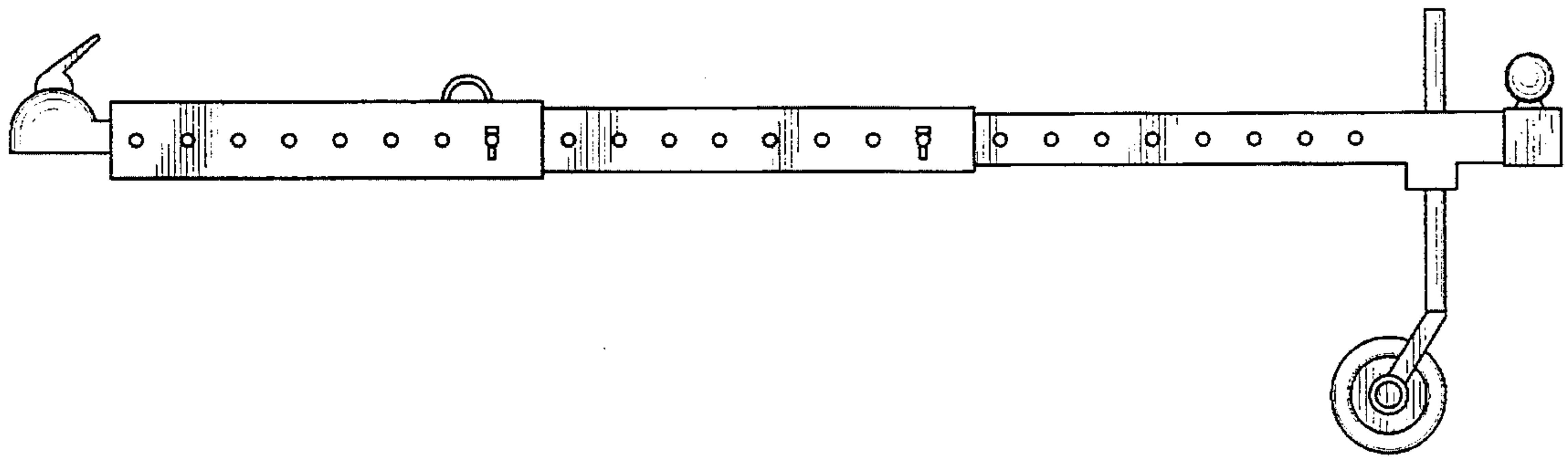


FIG. 3

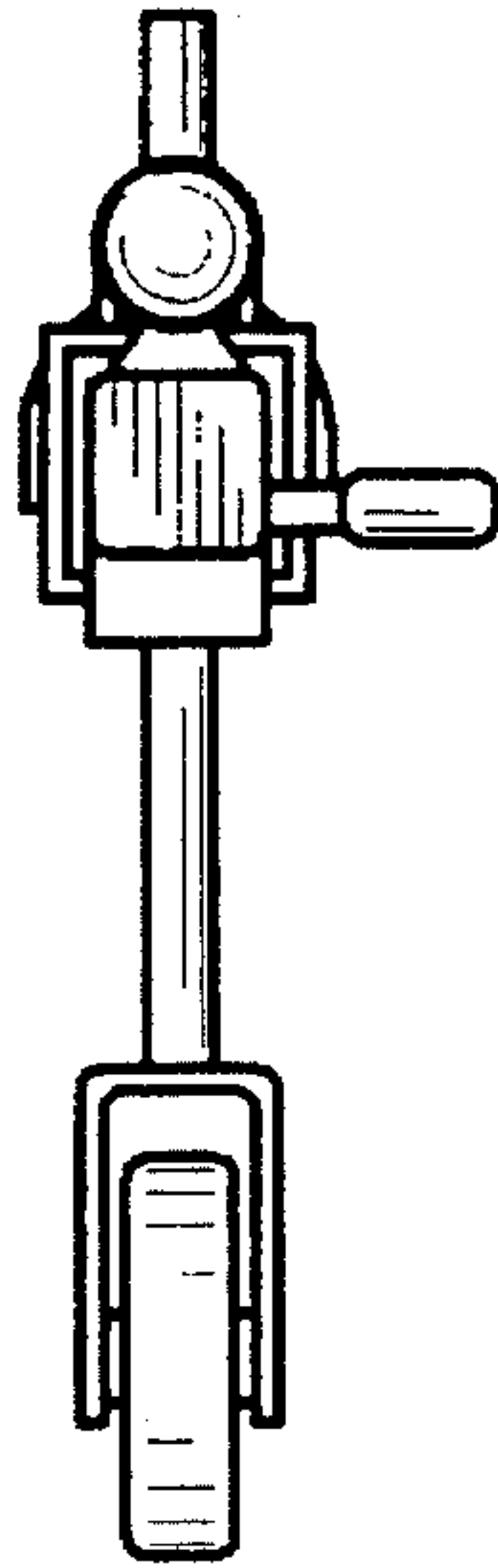


FIG. 4

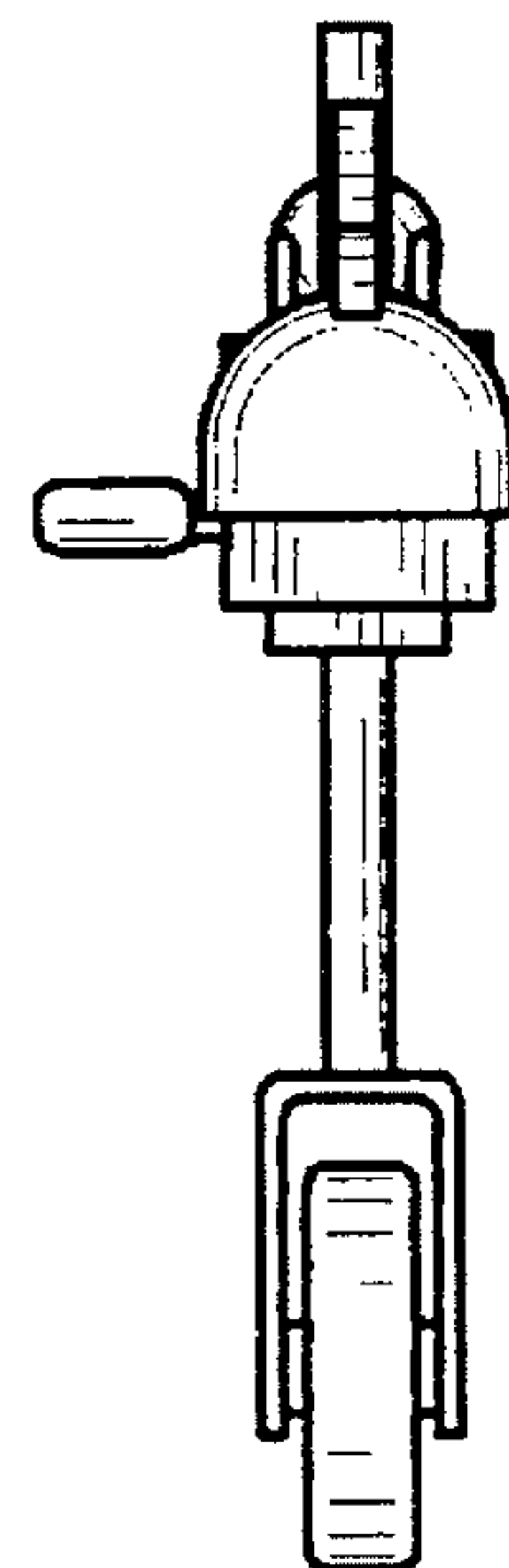


FIG. 5

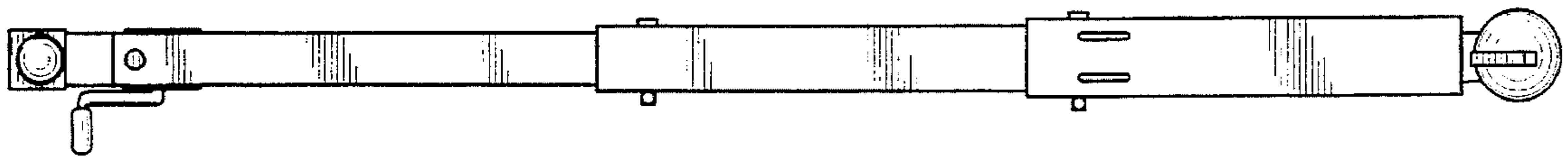
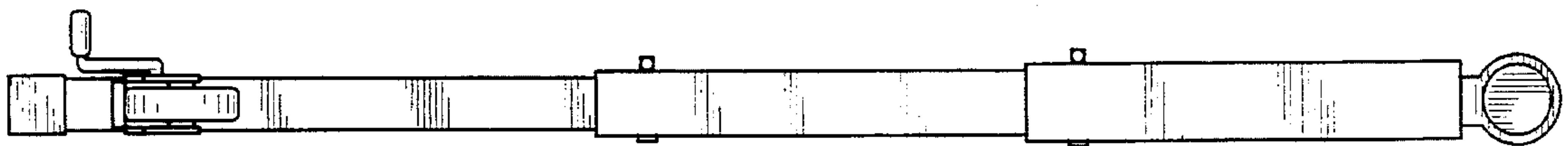


FIG. 6



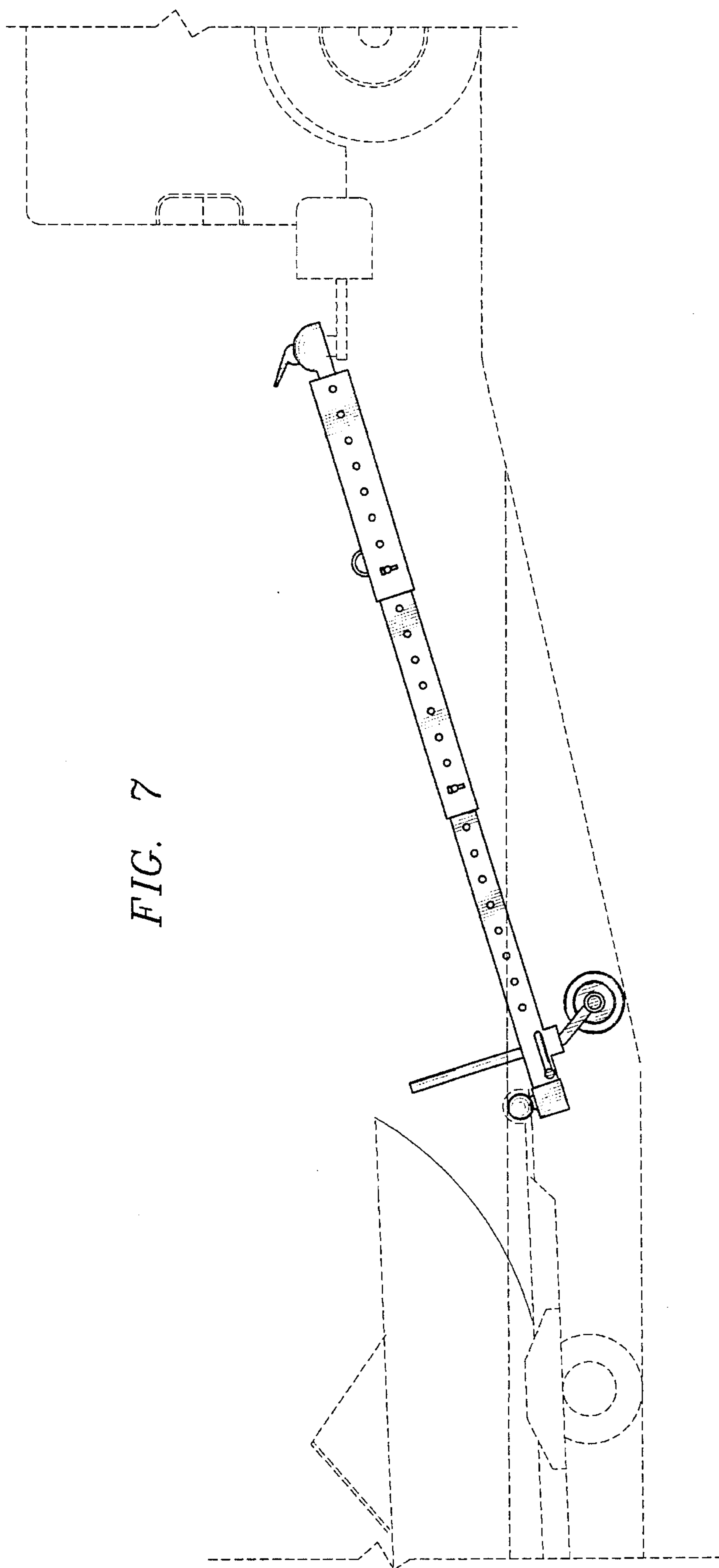


FIG. 7