



US00D365314S

United States Patent [19] Heisinger

[11] Patent Number: **Des. 365,314**
[45] Date of Patent: ****Dec. 19, 1995**

[54] **DEVICE TO ASSIST DISABLED PERSONS**

[75] Inventor: **Calvin Heisinger**, Escondido, Calif.

[73] Assignee: **Bryant Life-Care Products, Inc.**,
Rockwall, Tex.

[**] Term: **14 Years**

[21] Appl. No.: **29,782**

[22] Filed: **Oct. 17, 1994**

[52] U.S. Cl. **D12/130; D3/7**

[58] Field of Search **D12/128, 130;**
D3/7; 135/65, 67, 72, 75

[56] **References Cited**

U.S. PATENT DOCUMENTS

D. 208,607	9/1967	Williams	D3/7
2,757,388	8/1956	Chisholm	5/317
3,085,258	4/1963	Wolferts	5/92
3,421,529	1/1969	Vestal	135/45

3,739,793	6/1973	Wilson	135/45
3,993,349	11/1976	Neufeld et al.	297/6
4,474,202	10/1984	Blechner	135/67
4,700,730	10/1987	Samuelson et al.	135/67
4,869,279	9/1989	Hedges	135/67
4,922,560	5/1990	Skibinski	5/81 R
4,941,495	7/1990	Boyce et al.	D12/130

Primary Examiner—Kay H. Chin
Attorney, Agent, or Firm—Konneker & Bush

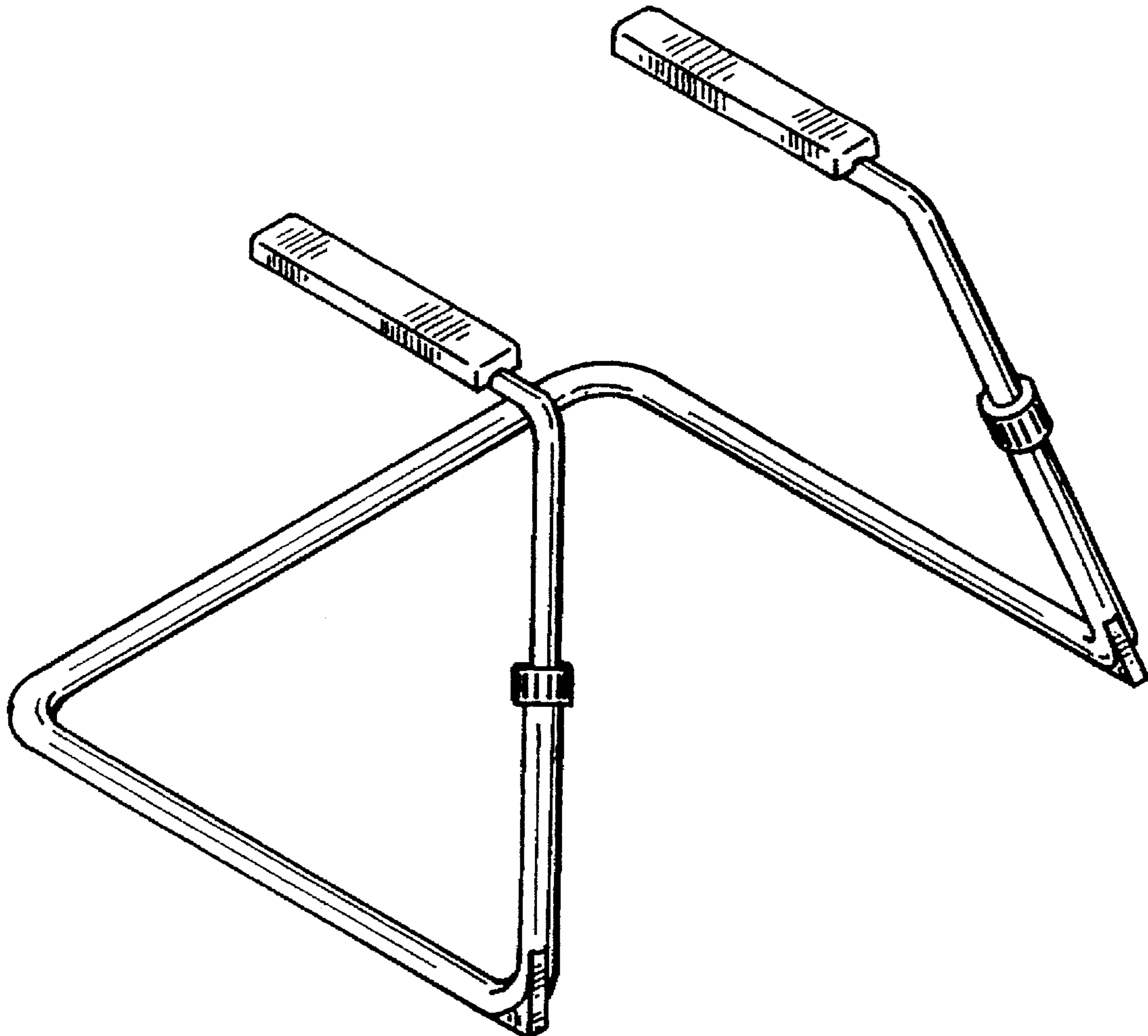
[57] **CLAIM**

The ornamental design for a device to assist disabled persons, as shown and described.

DESCRIPTION

FIG. 1 is a front elevational view of a device to assist disabled persons, showing my new design; FIG. 2 is a right side elevational view; FIG. 3 is a top plan view; and, FIG. 4 is a perspective view.

1 Claim, 1 Drawing Sheet



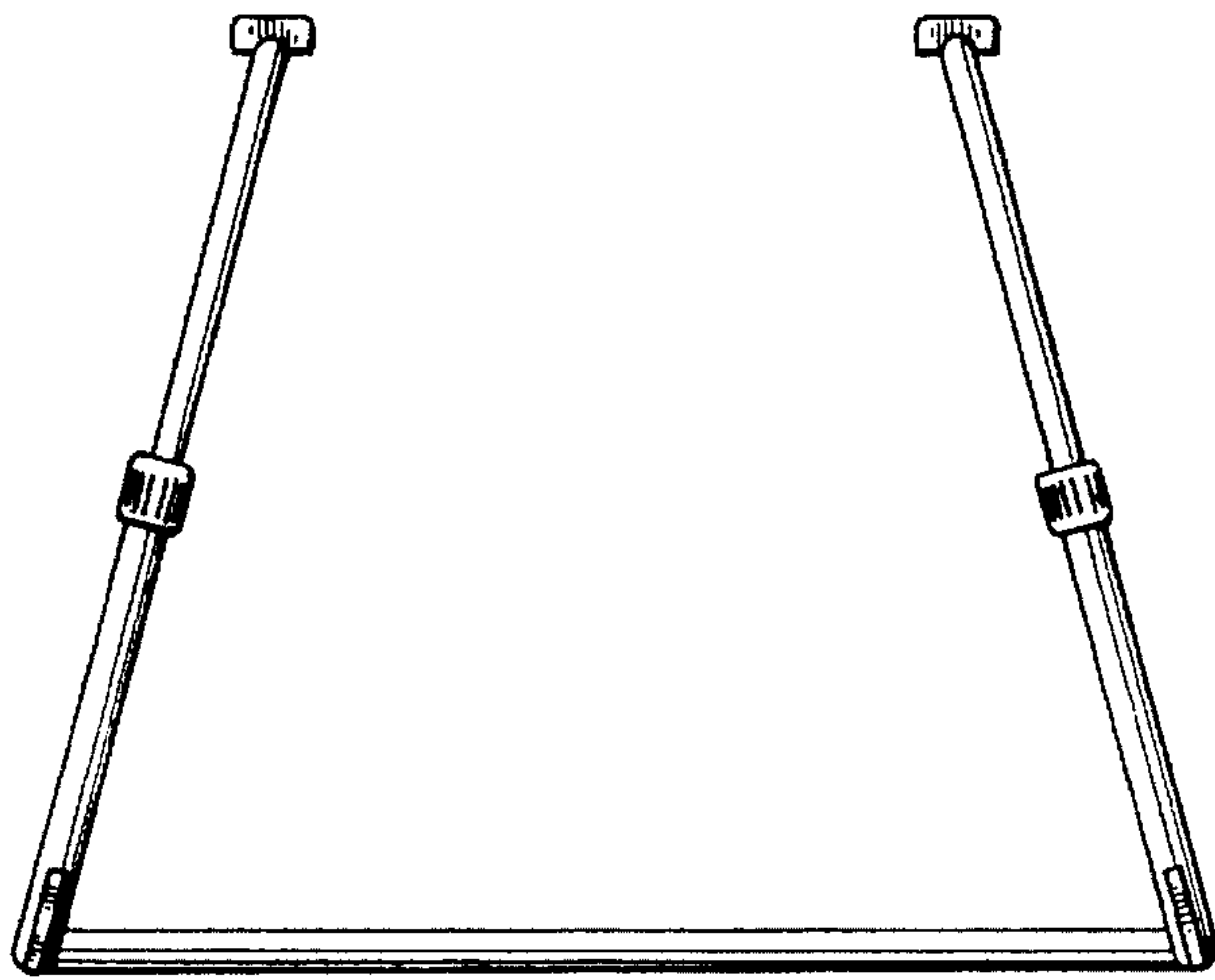


FIG. 1

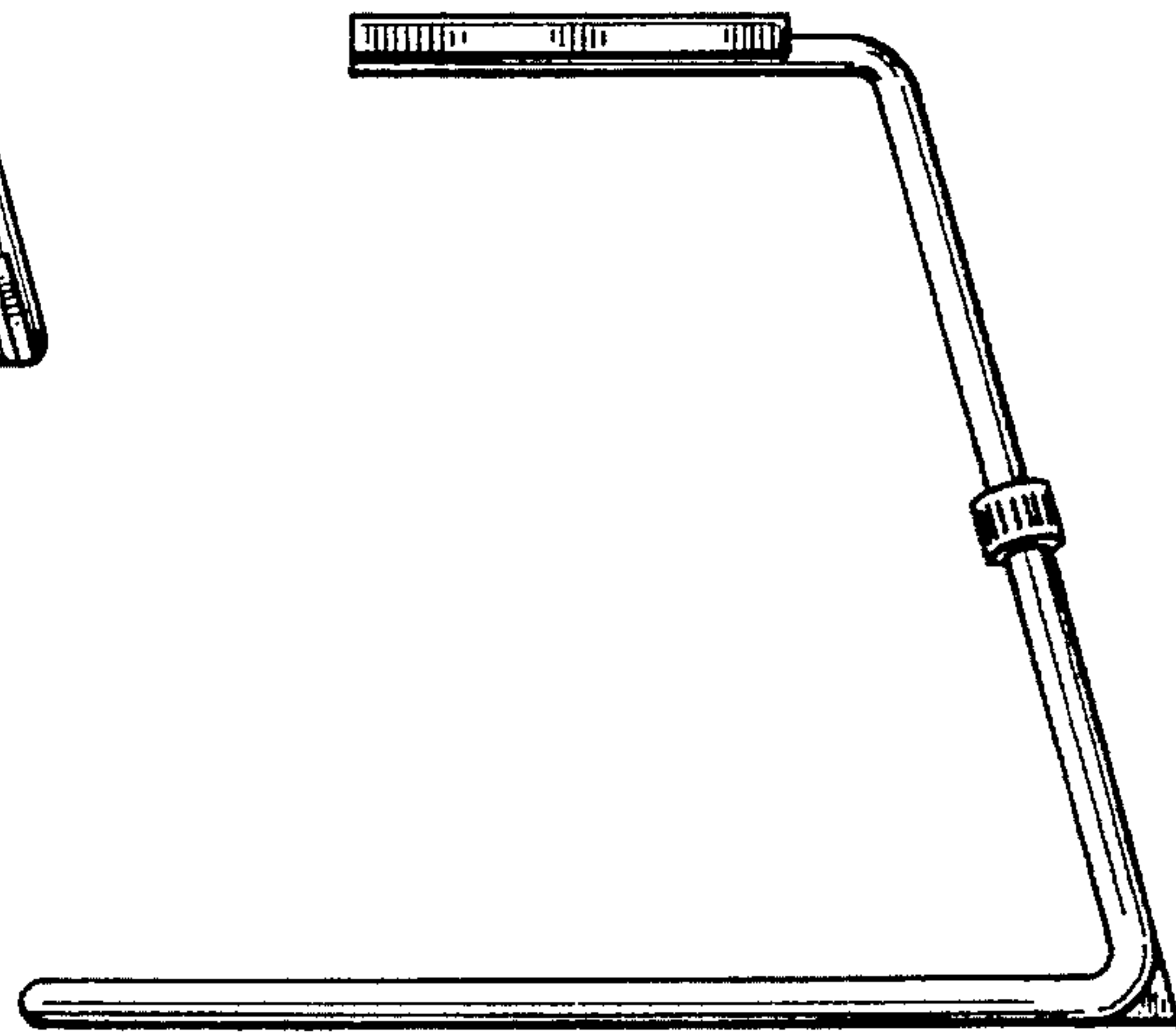


FIG. 2

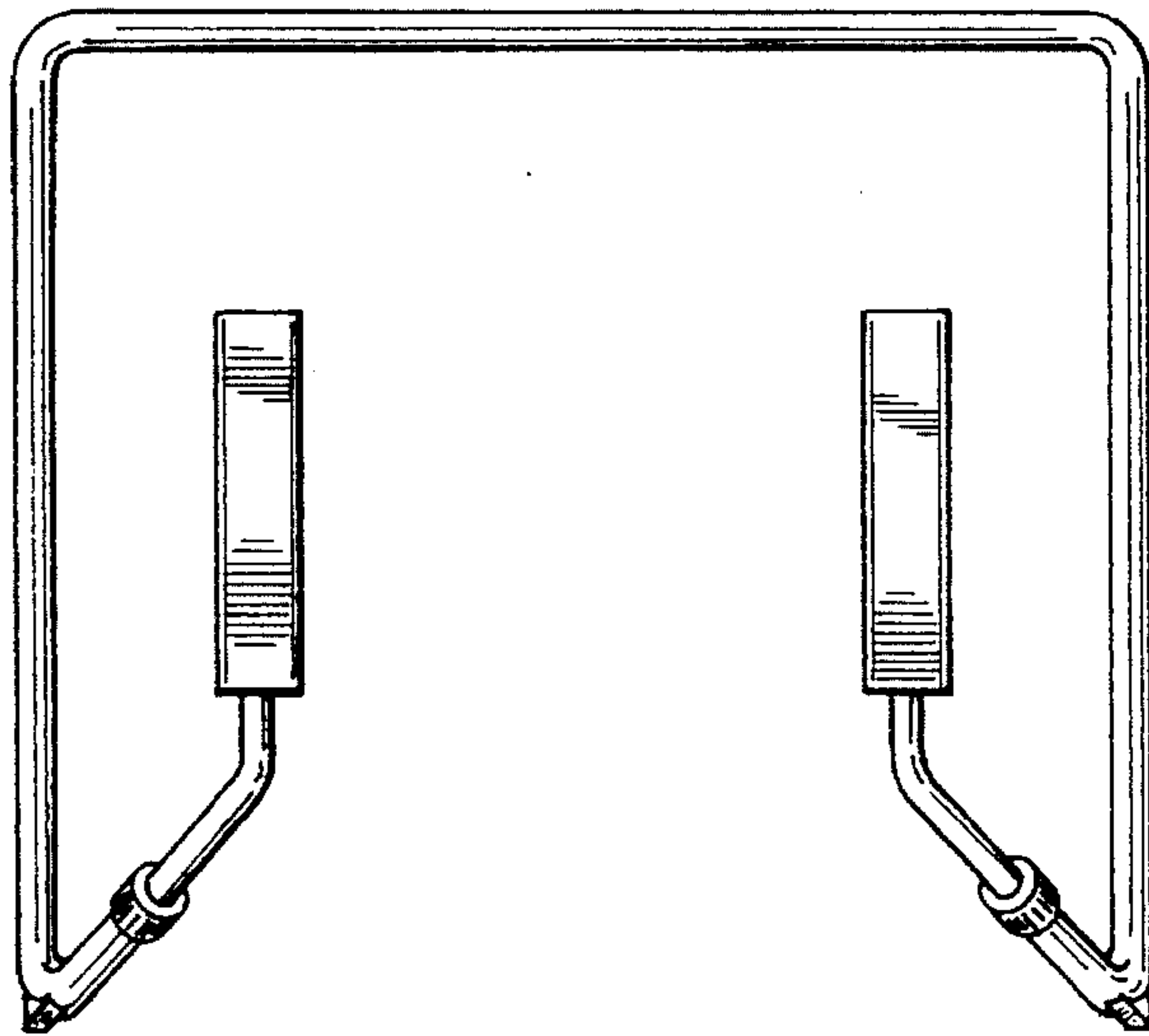


FIG. 3

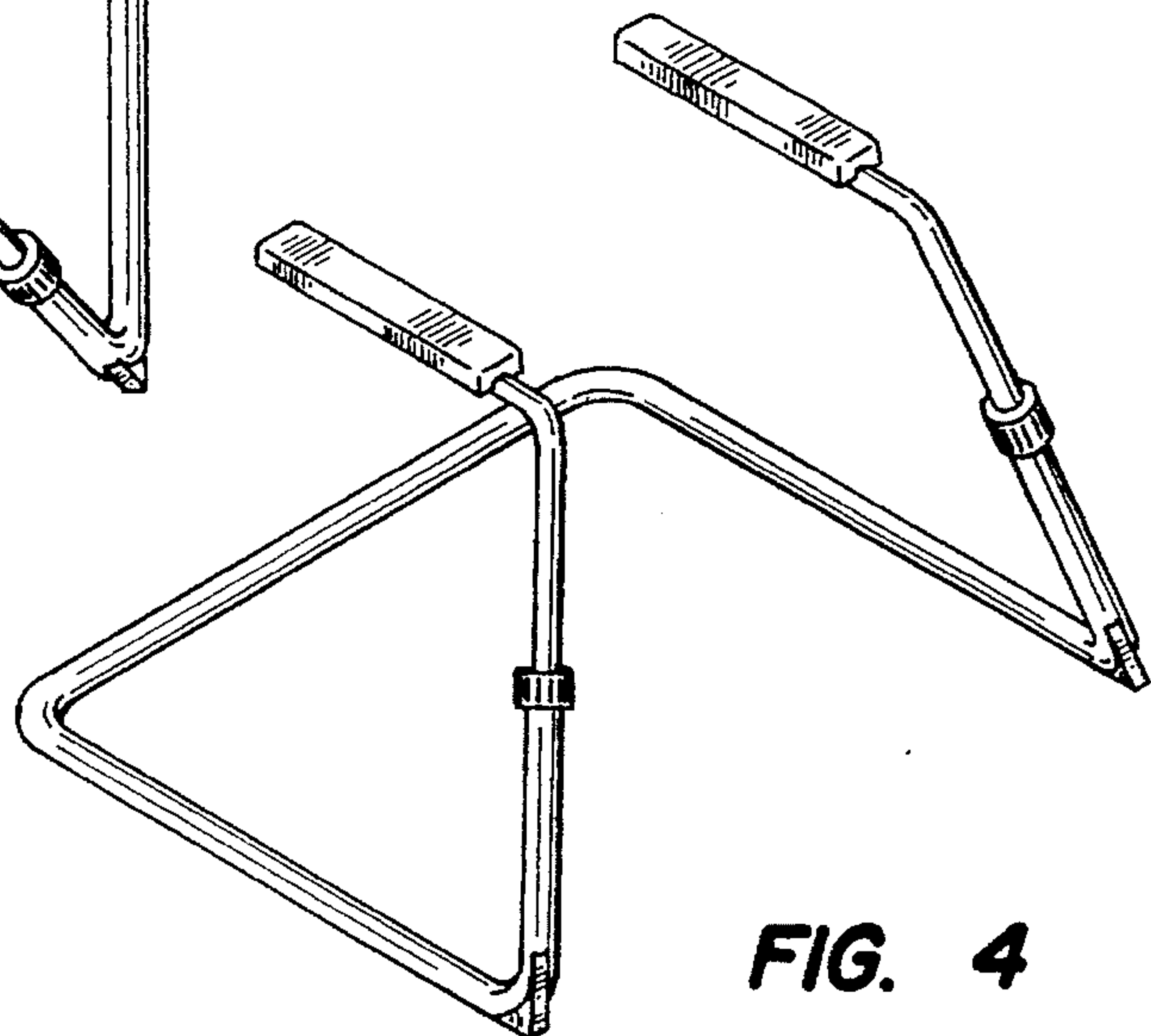


FIG. 4