



US00D365310S

United States Patent [19]
Chen

[11] **Patent Number: Des. 365,310**

[45] **Date of Patent: **Dec. 19, 1995**

[54] **BICYCLE HUB**

[75] Inventor: **Kun-Teng Chen**, Taichung Hsien, Taiwan

[73] Assignee: **Kun Teng Industry Co., Ltd.**, Taichung Hsien, Taiwan

[**] Term: **14 Years**

[21] Appl. No.: **32,300**

[22] Filed: **Dec. 15, 1994**

[52] U.S. Cl. **D12/115**

[58] Field of Search **D12/115; 280/278, 280/279, 288; 301/124.2**

[56] **References Cited**

U.S. PATENT DOCUMENTS

D. 340,888	11/1993	Ringle et al.	D12/115
4,033,627	7/1977	Morronei	301/124.2
4,789,206	12/1988	Ozaki	301/124.2
4,805,941	2/1989	Downing et al.	280/279

OTHER PUBLICATIONS

Colorado Cyclist, Spring 1994, pp. 12 and 41, the Hugi, Bullseye and Ringle, (No. 1) Bicycle Hubs.

Primary Examiner—A. Hugo Word
Assistant Examiner—M. Brown
Attorney, Agent, or Firm—Bliss McGlynn

[57] **CLAIM**

The ornamental design for a bicycle hub, as shown and described.

DESCRIPTION

FIG. 1 is a perspective view of a bicycle hub showing my new design;

FIG. 2 is a front elevational view thereof;

FIG. 3 is a rear elevational view thereof;

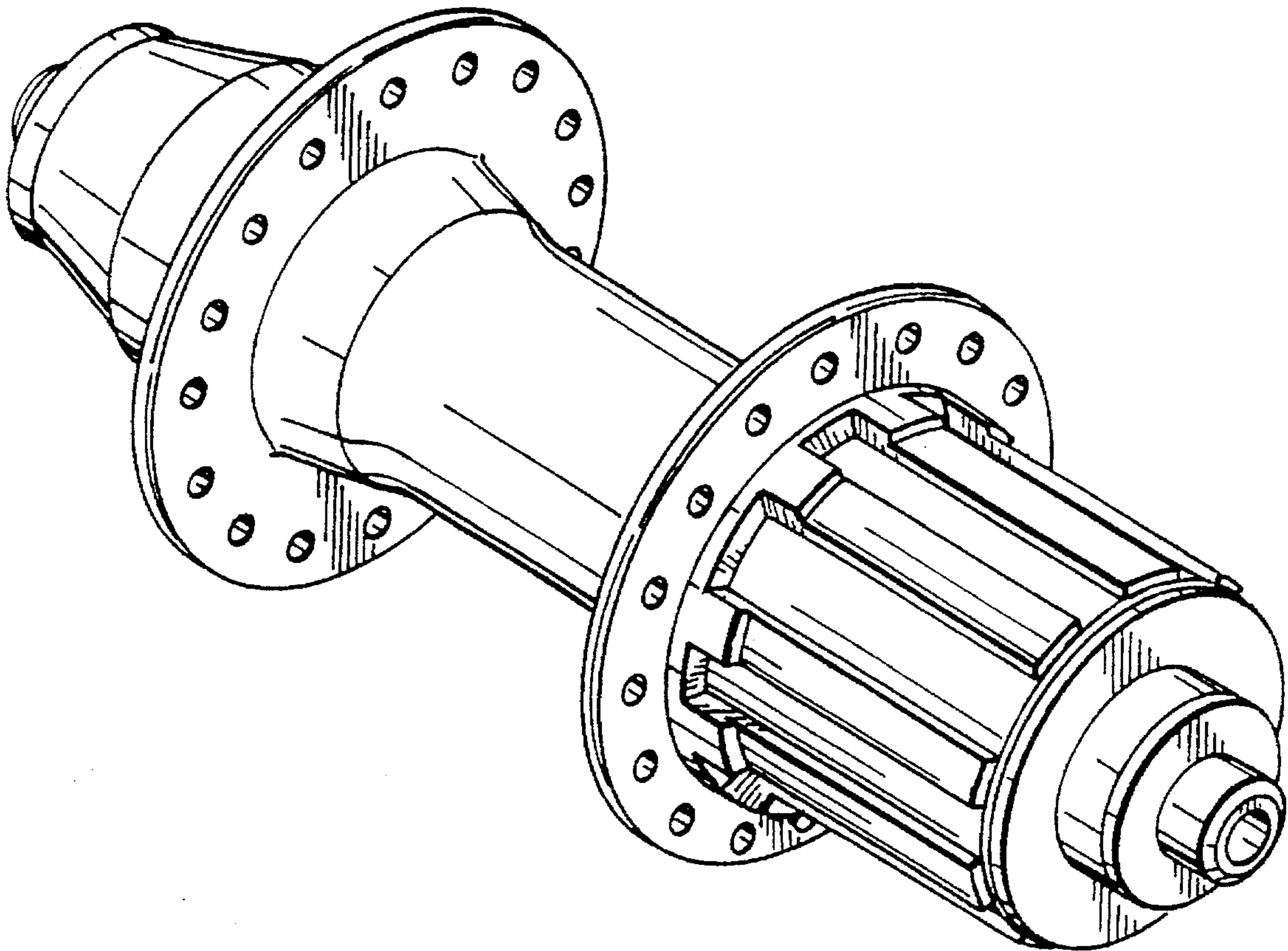
FIG. 4 is a left side elevational view thereof;

FIG. 5 is a right side elevational view thereof;

FIG. 6 is a top plan view thereof; and,

FIG. 7 is a bottom view thereof.

1 Claim, 4 Drawing Sheets



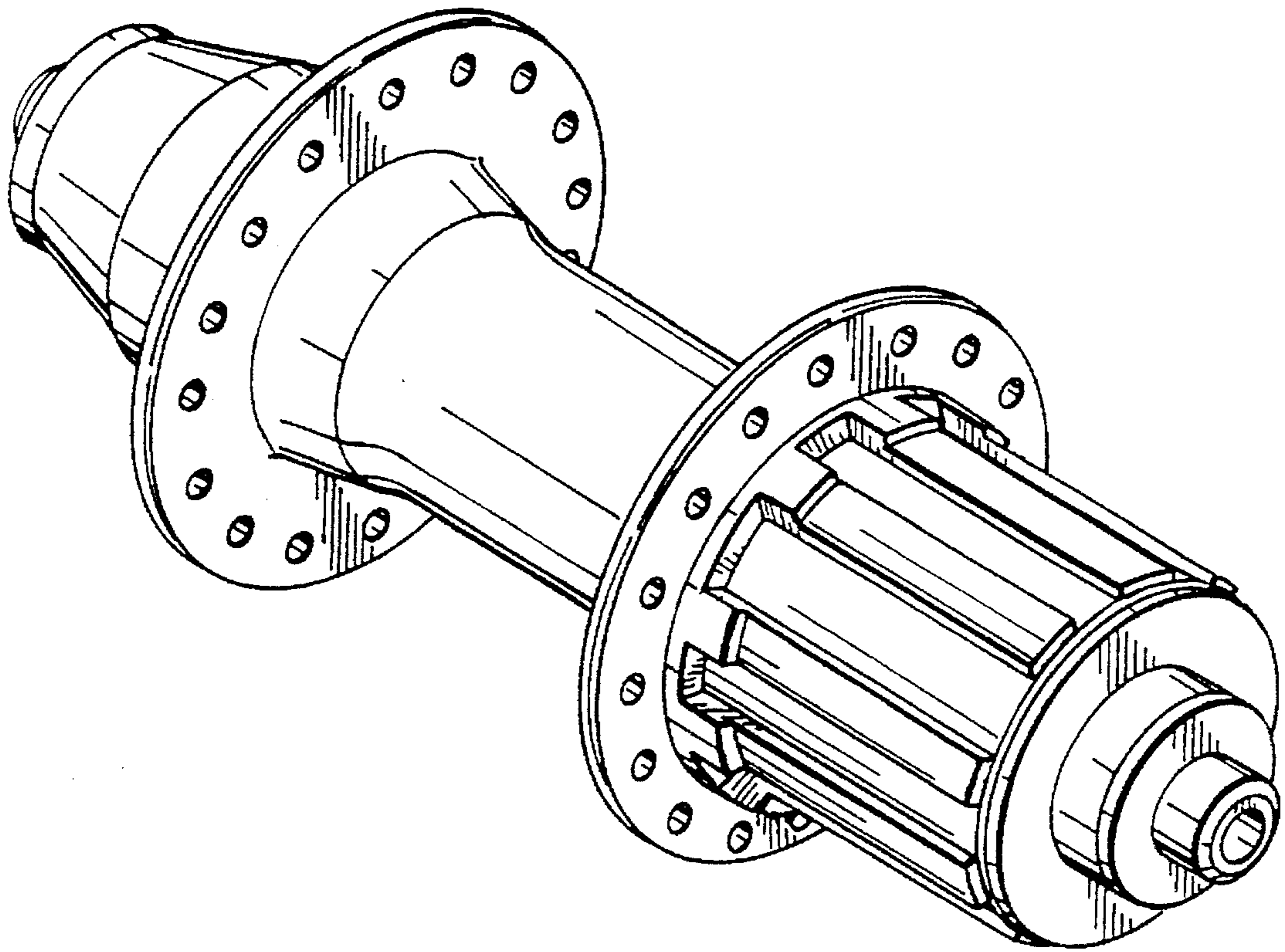


FIG. 1

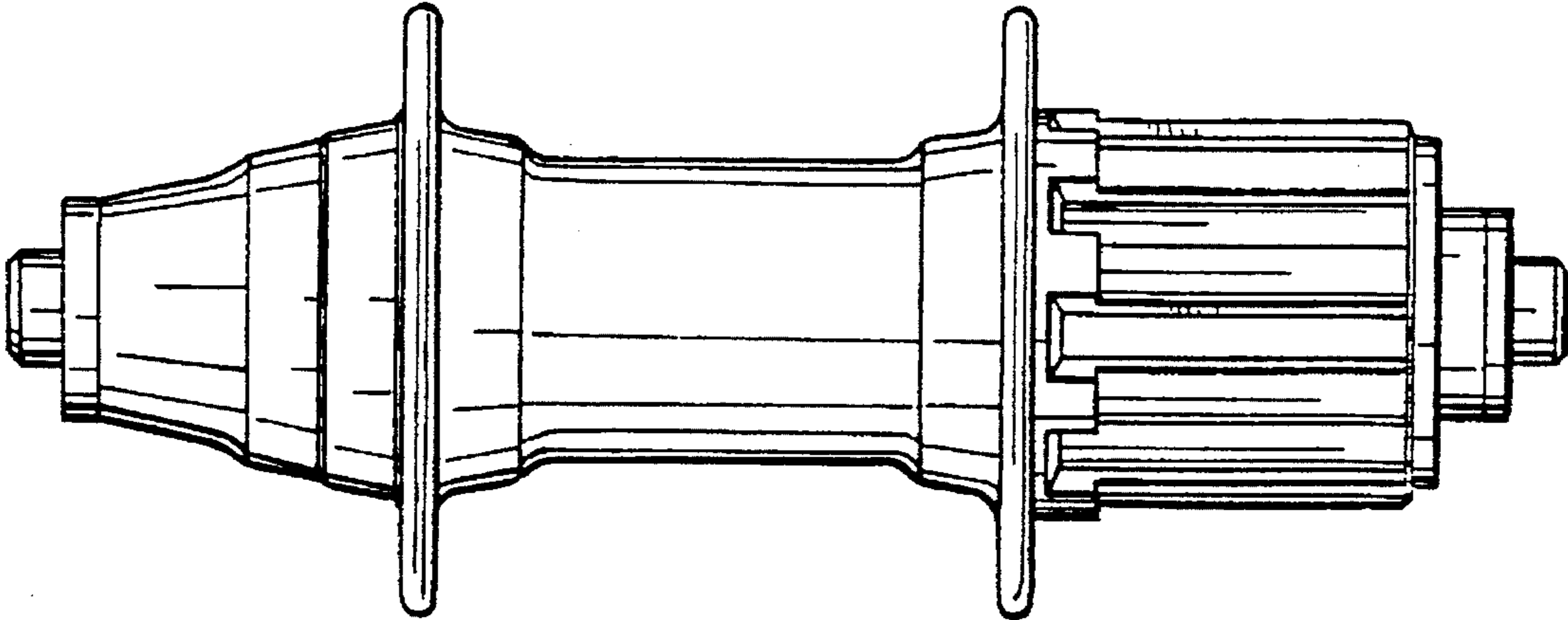


FIG. 2

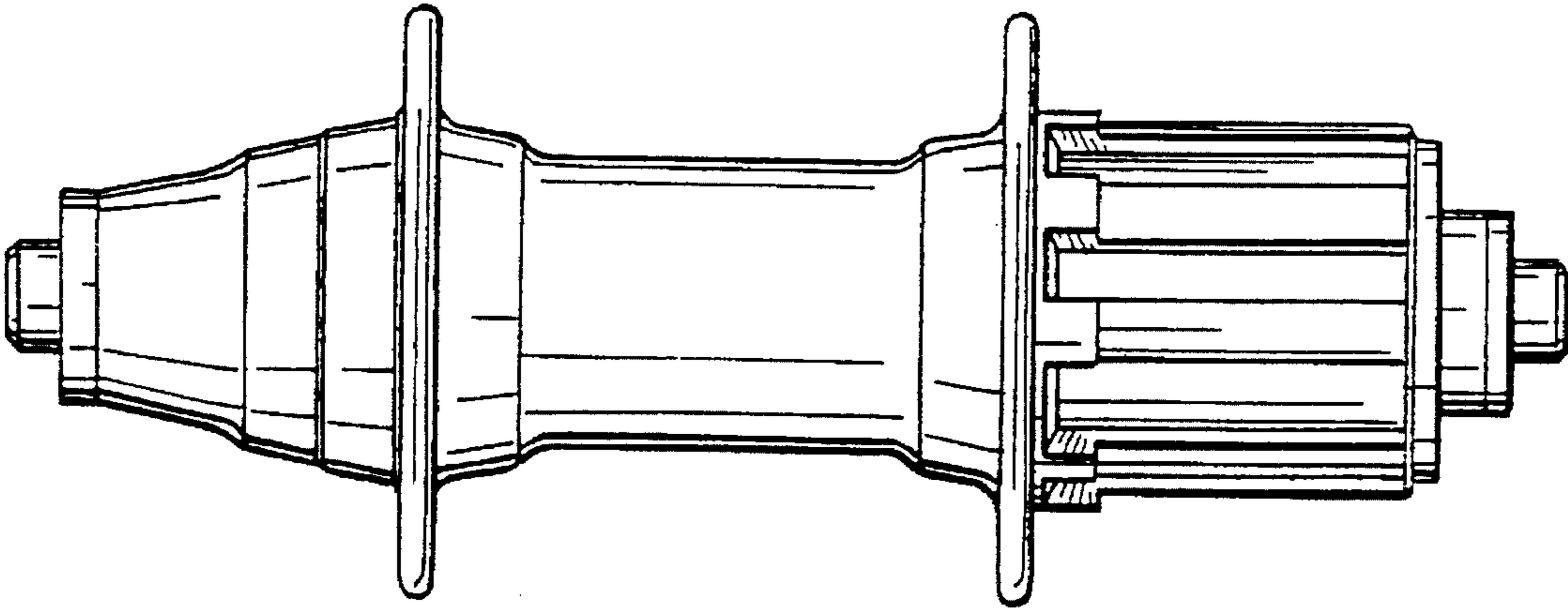


FIG. 3

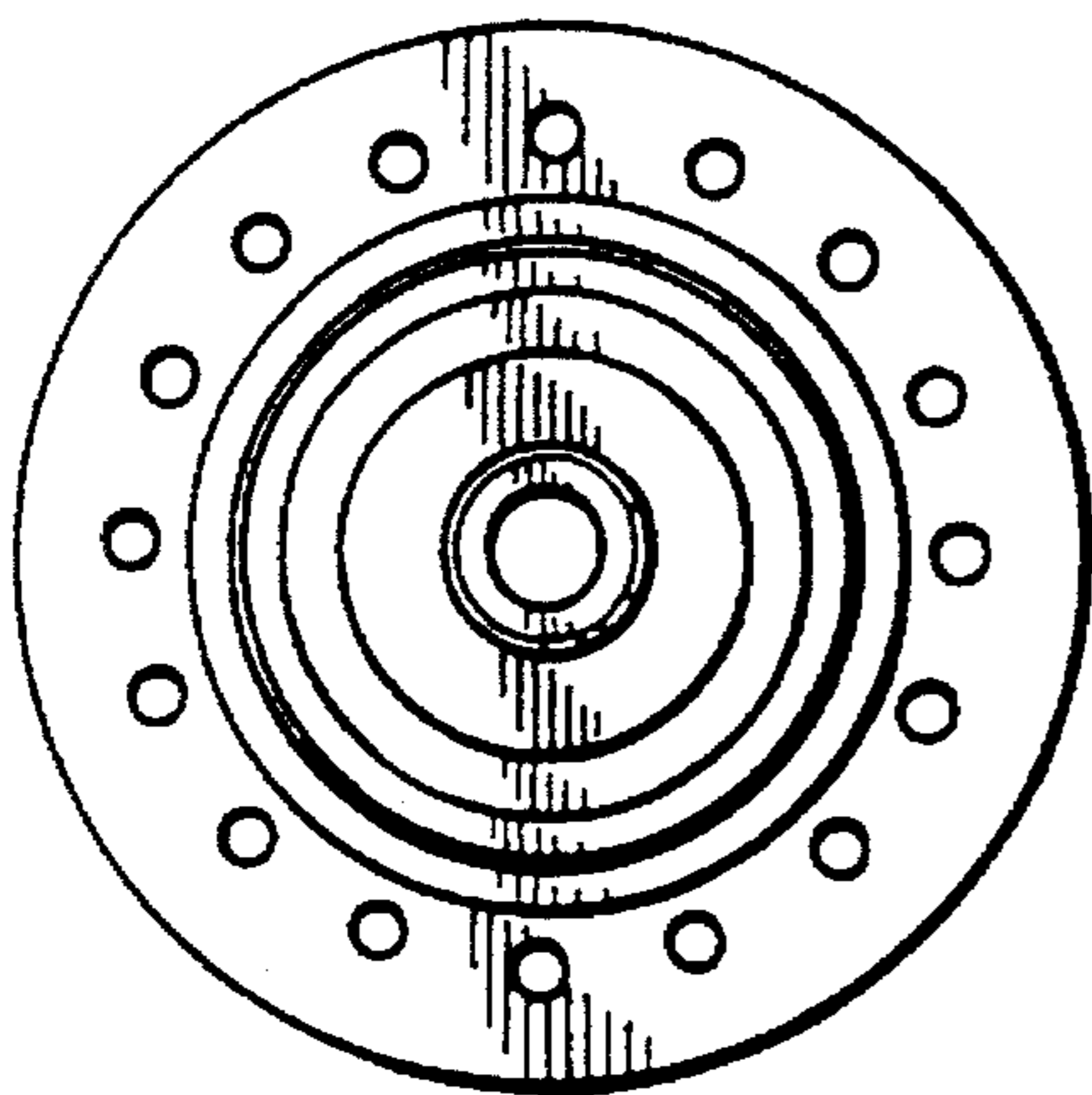


FIG. 4

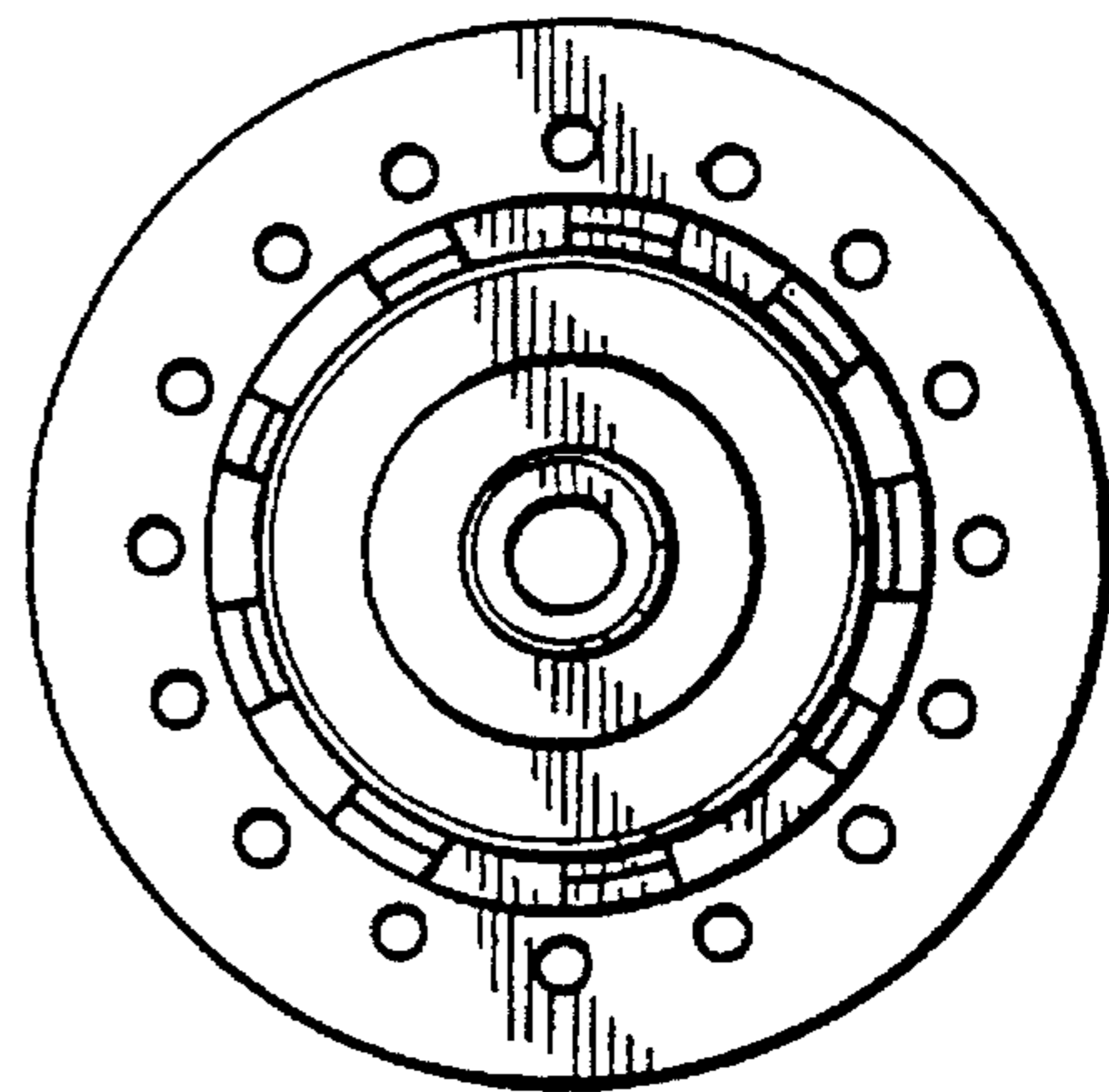


FIG. 5

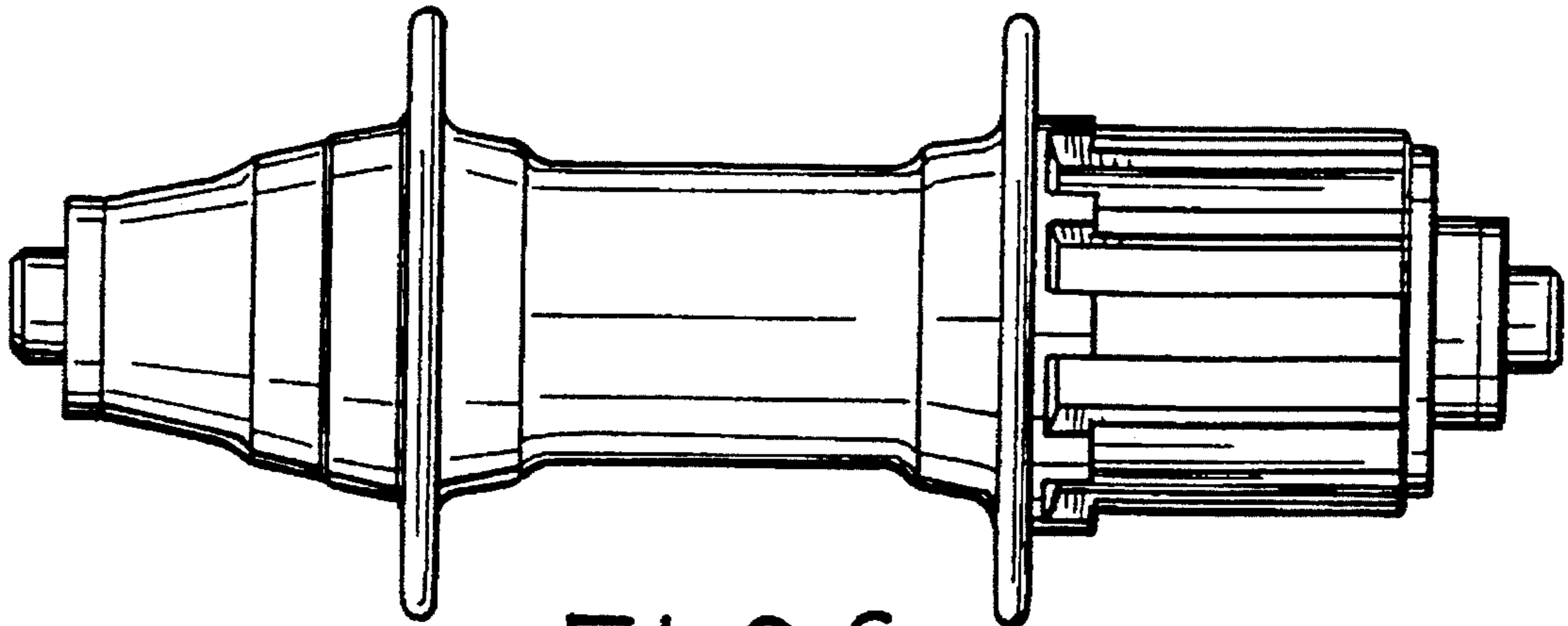


FIG. 6

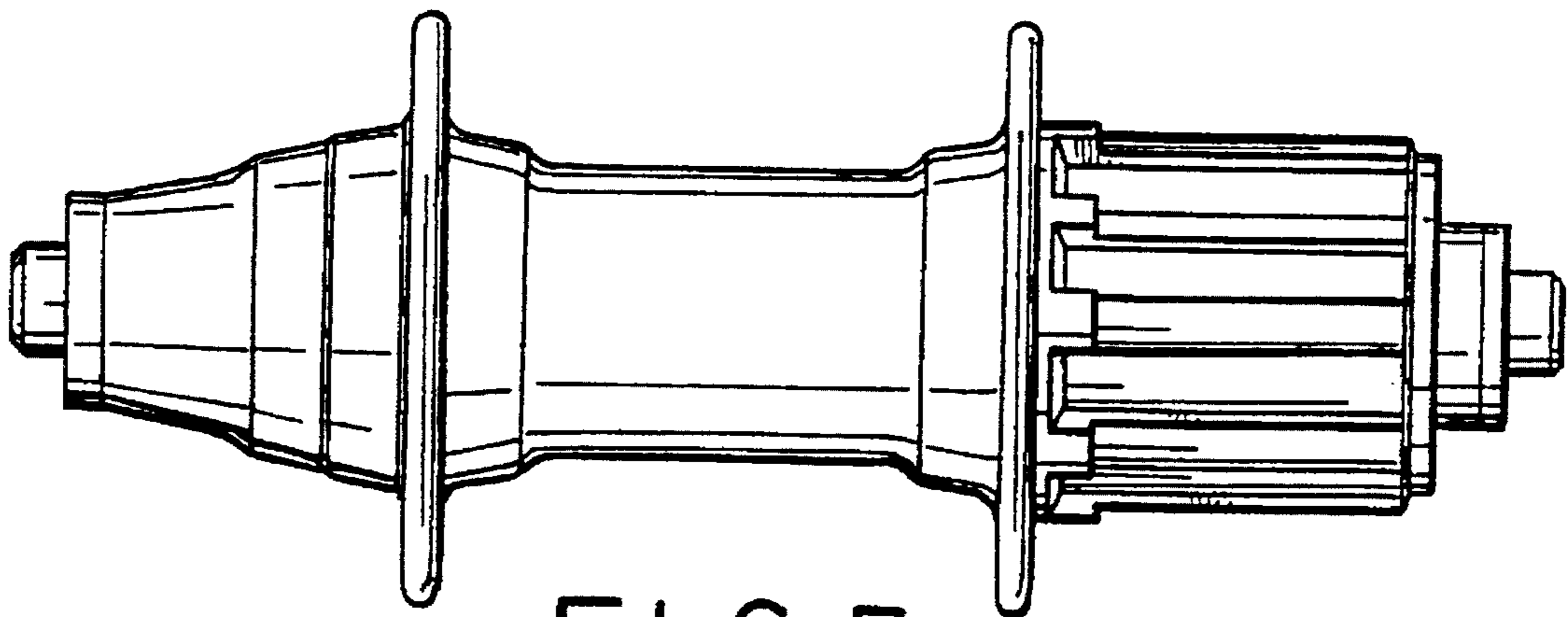


FIG. 7