



US00D365308S

United States Patent [19] White

[11] Patent Number: **Des. 365,308**

[45] Date of Patent: ****Dec. 19, 1995**

[54] **FLAG STAND**

[76] Inventor: **Hal L. White**, 4148 Chimney Lake Dr.,
Roswell, Ga. 30075

[**] Term: **14 Years**

[21] Appl. No.: **31,370**

[22] Filed: **Nov. 23, 1994**

[52] U.S. Cl. **D11/182; D11/181; D99/23**

[58] Field of Search **D11/166, 181,
D11/182; D99/27, 17, 18, 23; 116/173;
248/511, 519, 530, 532; 428/3; 40/124.5**

[56] **References Cited**

U.S. PATENT DOCUMENTS

D. 137,421	3/1944	Rasmussen	D99/23
D. 142,284	8/1945	Keating	D11/182 X
1,258,147	3/1918	Sargent	40/124.5 X
1,314,549	9/1919	Harding	248/511 X
1,612,357	12/1926	Brown	40/124.5
2,143,869	1/1939	Donald	428/3

2,917,256	12/1959	Dixon	428/3
3,182,936	5/1965	Murdock	248/530
3,977,110	8/1976	Yerger	40/124.5

Primary Examiner—Dominic Simone
Attorney, Agent, or Firm—Deveau, Colton & Marquis

[57] CLAIM

The ornamental design for flag stand, as shown and described.

DESCRIPTION

FIG. 1 is a perspective view of a flag stand showing my new design, the flag staff and flag shown in broken lines for illustrative purposes only;

FIG. 2 is a front view of the flag stand of FIG. 1;

FIG. 3 is a right side view of the flag stand of FIG. 1;

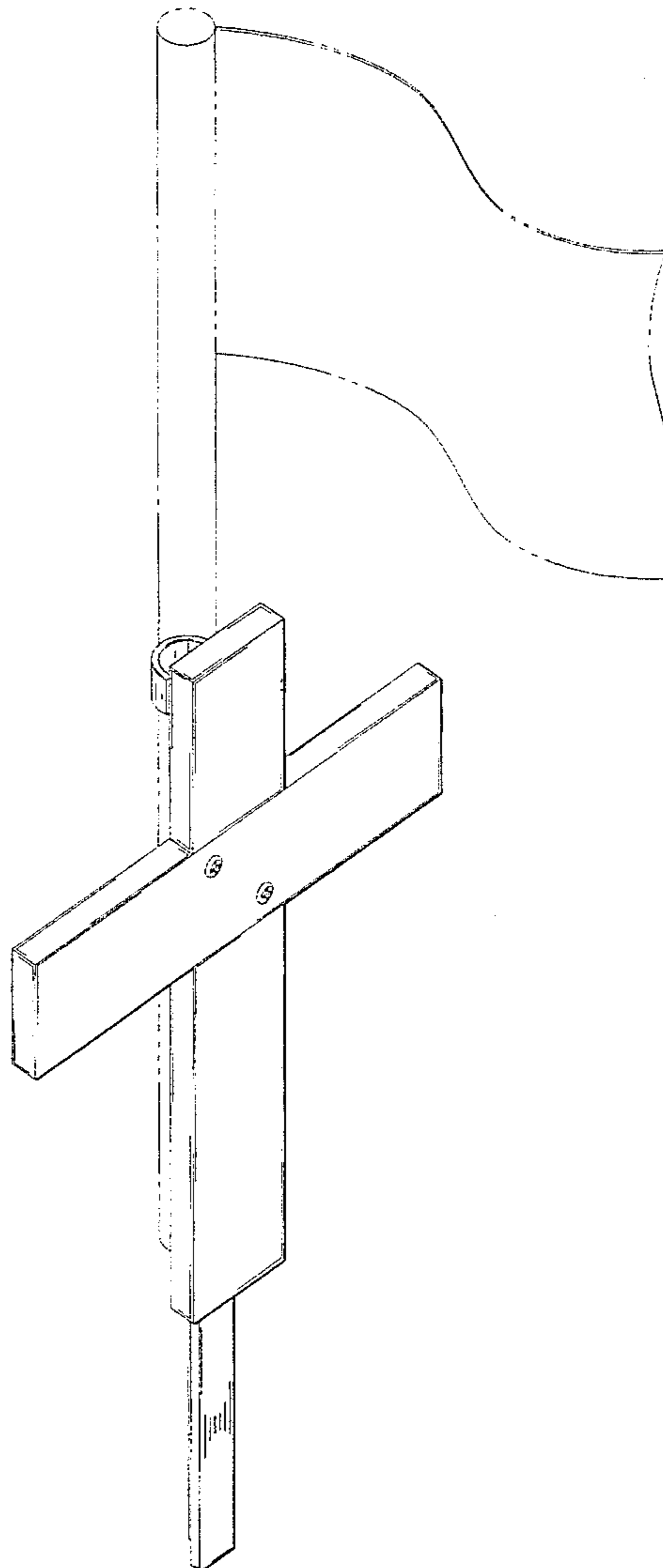
FIG. 4 is a left side view of the flag stand of FIG. 1;

FIG. 5 is a back view of the flag stand of FIG. 1;

FIG. 6 is top view of the flag stand of FIG. 1; and,

FIG. 7 is a bottom view of the flag stand of FIG. 1.

1 Claim, 3 Drawing Sheets



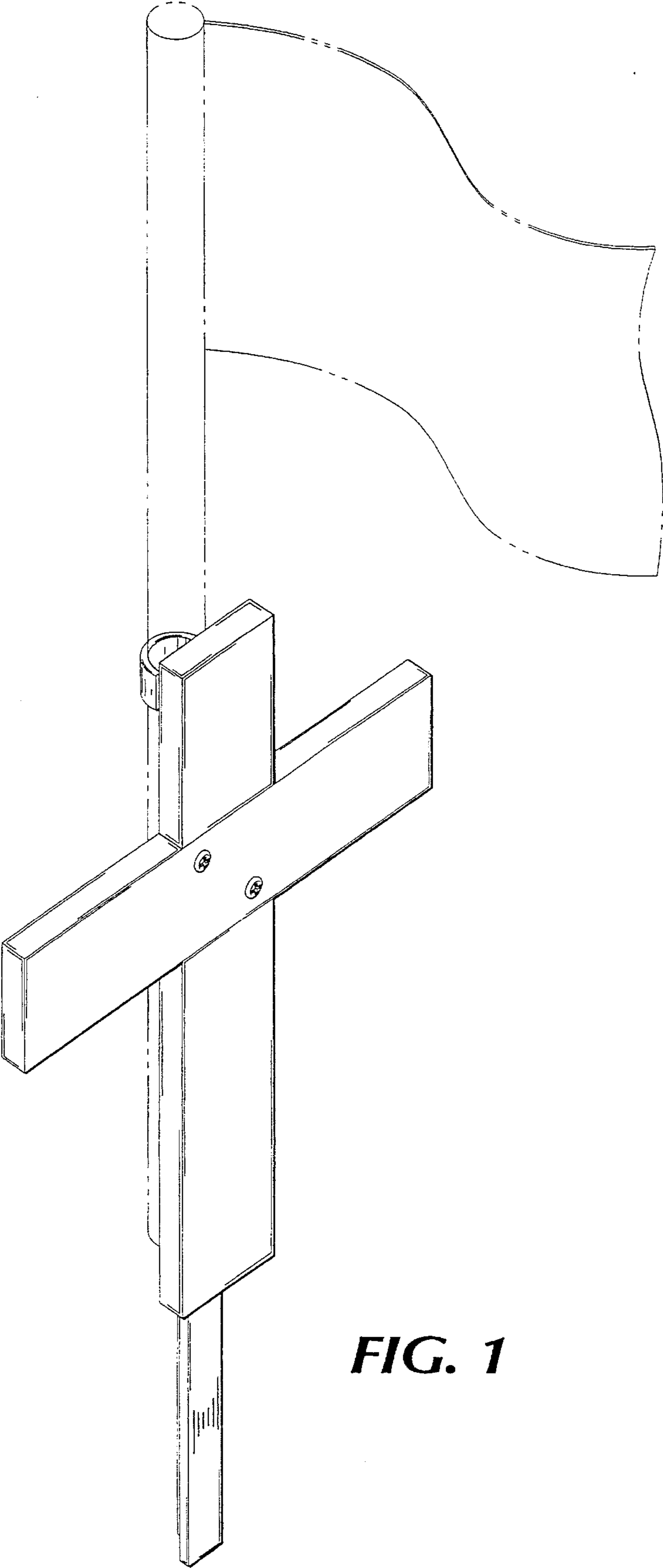


FIG. 1

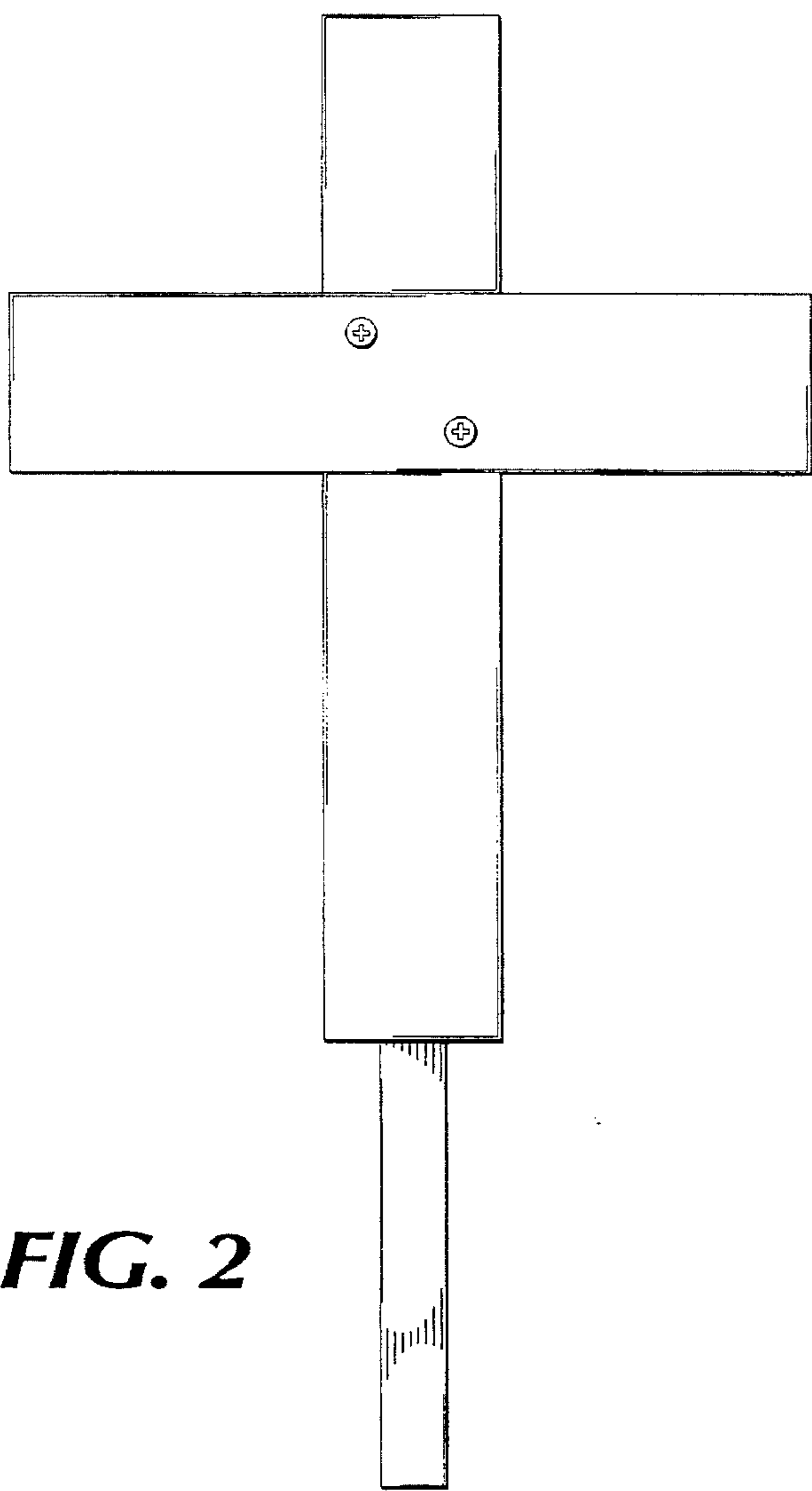


FIG. 2

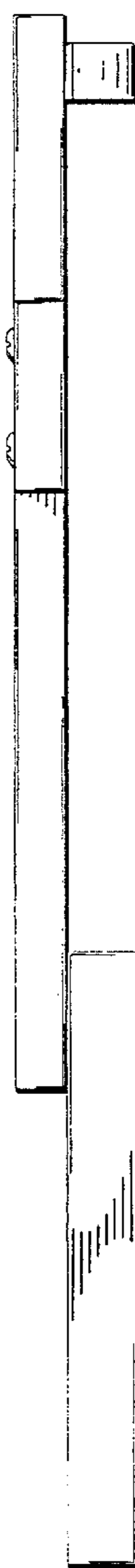


FIG. 3



FIG. 4

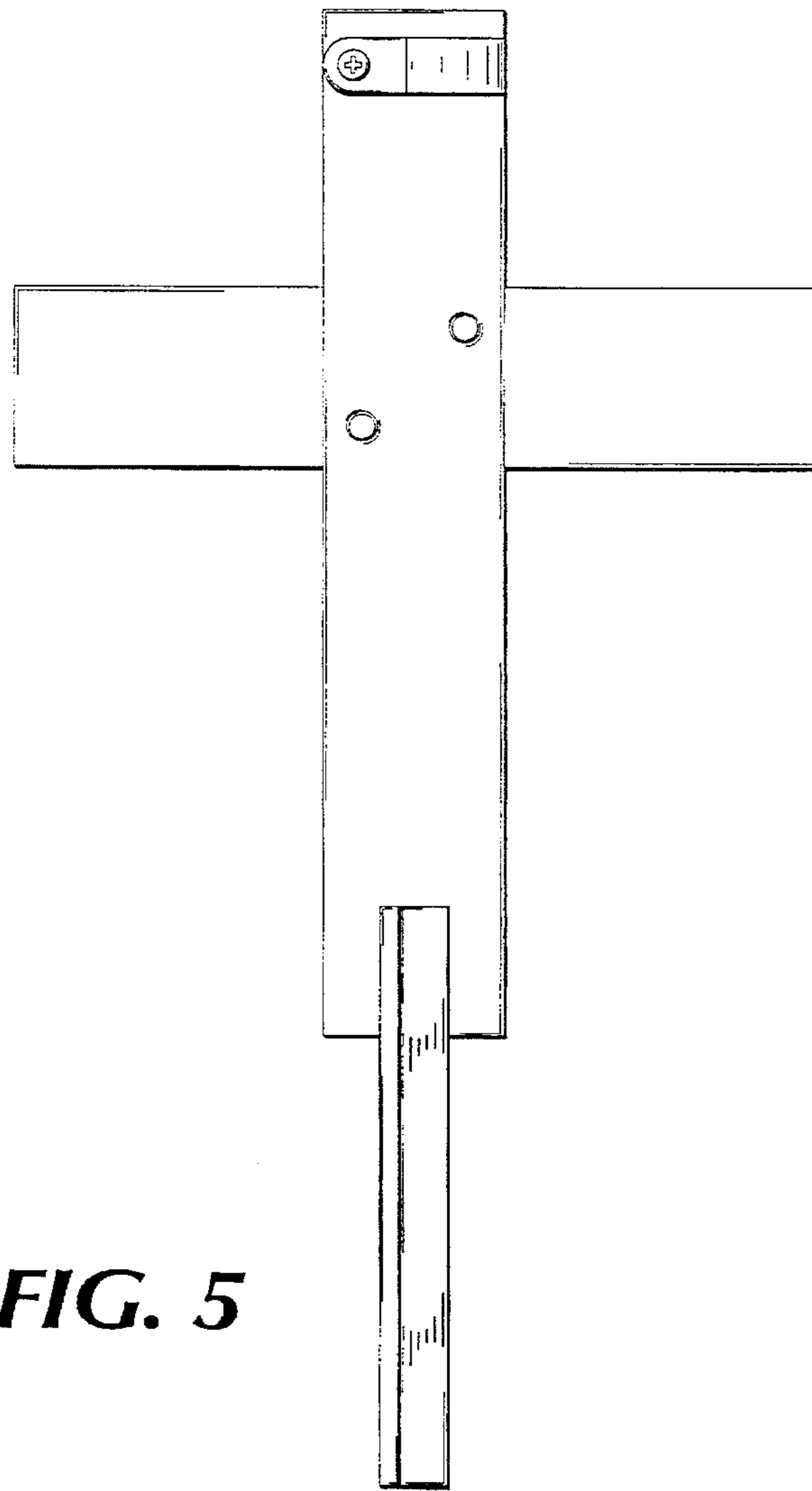


FIG. 5



FIG. 6

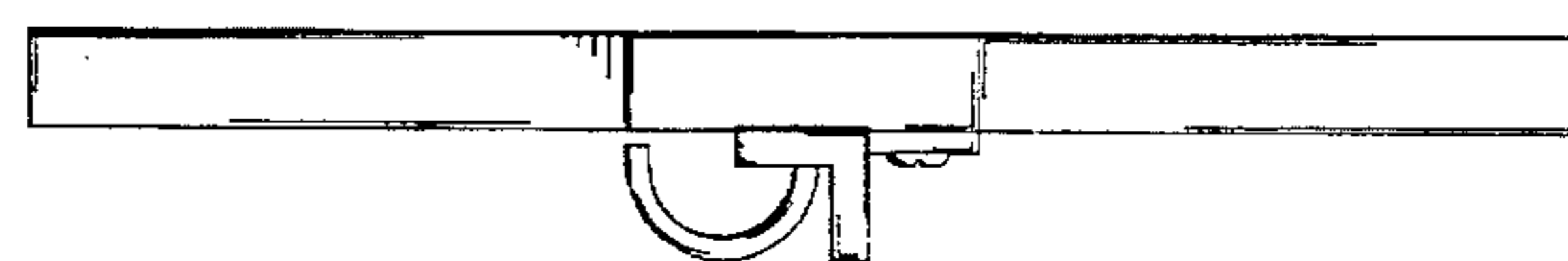


FIG. 7