



US00D365300S

# United States Patent [19]

[11] Patent Number: **Des. 365,300**

**Bransky et al.**

[45] Date of Patent: **\*\*Dec. 19, 1995**

[54] **PLANTER**

[75] Inventors: **Jeffrey D. Bransky**, Clarendon Hills;  
**Kenneth L. Sanderson**, Elgin, both of Ill.

[73] Assignee: **Duraco Products, Inc.**, Streamwood, Ill.

[\*\*] Term: **14 Years**

[21] Appl. No.: **35,255**

[22] Filed: **Feb. 23, 1995**

[52] U.S. Cl. .... **D11/143; D19/77; D19/85**

[58] Field of Search ..... **D11/143, 152; D19/77, 78, 81, 84, 85; D7/641; 47/41.01**

[56] **References Cited**

**U.S. PATENT DOCUMENTS**

- D. 98,406 1/1936 Smith ..... 47/41.01
- D. 245,368 8/1977 Mueller ..... D11/143 X
- D. 286,337 3/1983 Tenzer et al. .... D11/143 X

- D. 303,552 9/1989 Ancona et al. .... D19/77
- D. 340,071 10/1993 Sun ..... D19/77
- D. 342,281 12/1993 Lin ..... D19/77
- D. 356,829 3/1995 Russomano et al. .... D19/77

*Primary Examiner*—Alan P. Douglas  
*Assistant Examiner*—Cathron B. Matta  
*Attorney, Agent, or Firm*—John L. Schmitt

[57] **CLAIM**

The ornamental design of a planter, as shown and described.

**DESCRIPTION**

FIG. 1 is a perspective view of a planter showing our new design;  
FIG. 2 is front elevational view thereof;  
FIG. 3 is an elevational view of the right side of the planter shown in FIG. 1;  
FIG. 4 is a rear elevational view thereof;  
FIG. 5 is an elevational view of the left side thereof;  
FIG. 6 is a top plan view thereof; and,  
FIG. 7 is a bottom plan view thereof.

**1 Claim, 4 Drawing Sheets**

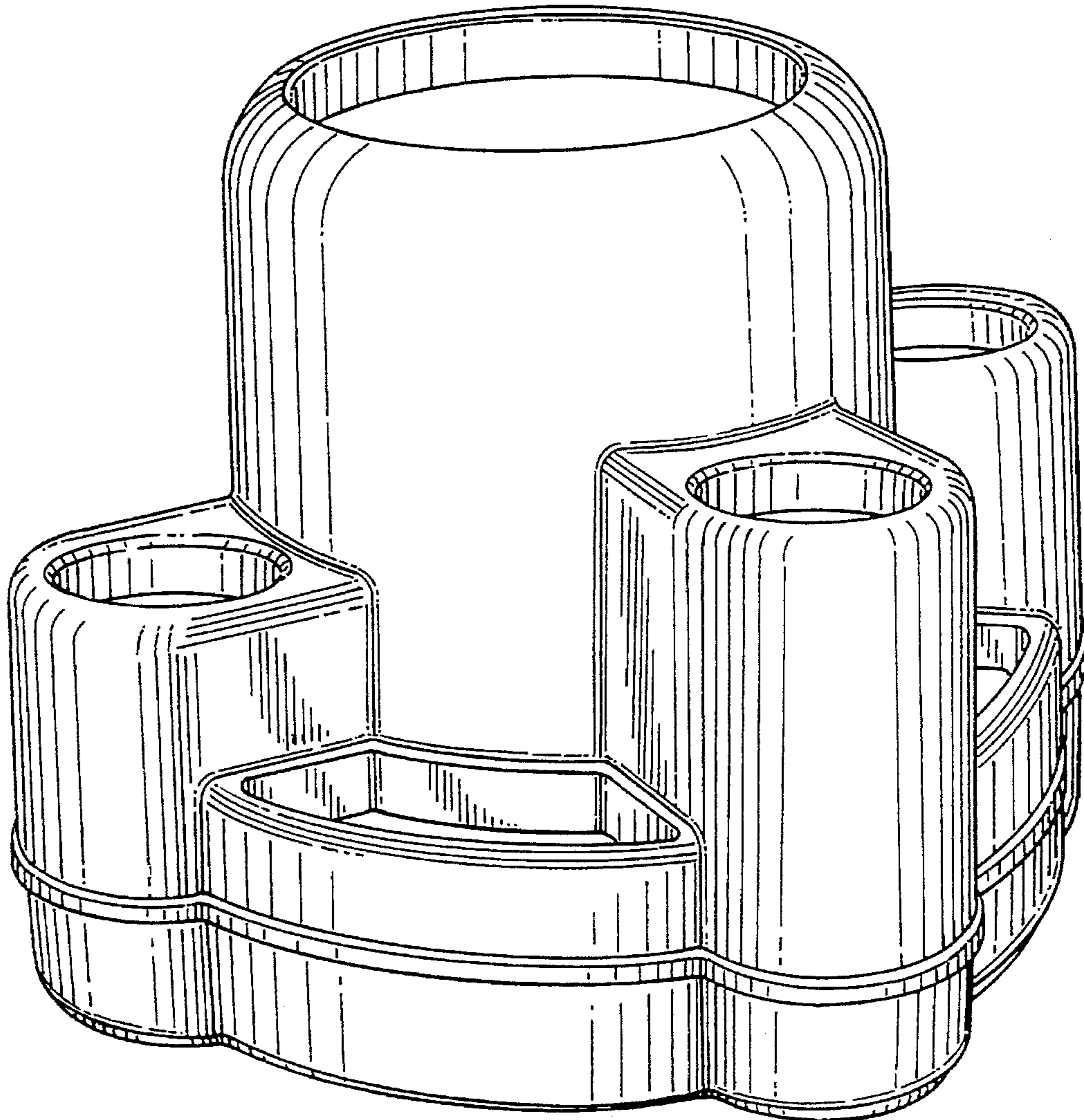


FIG. 1

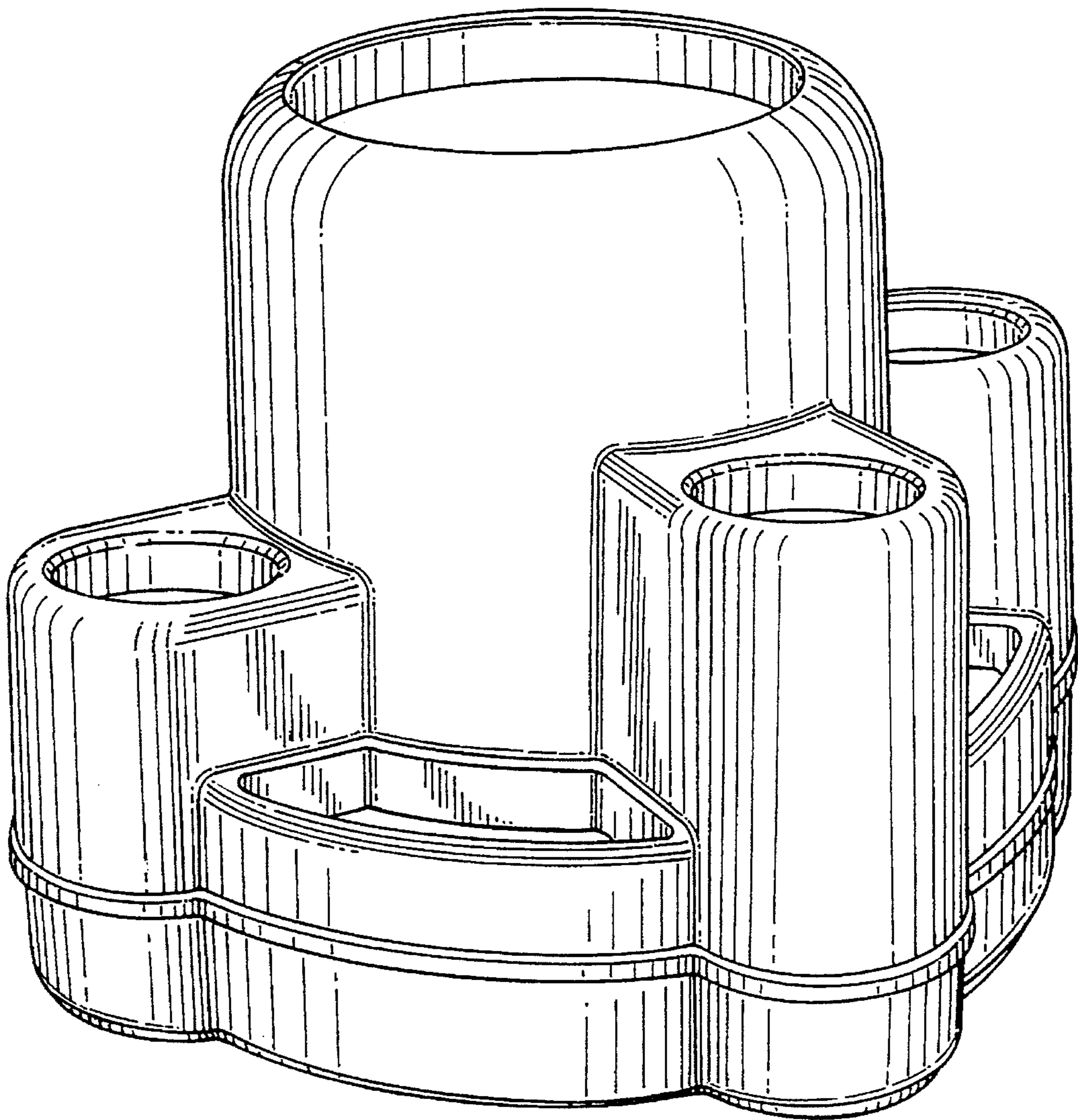


FIG. 2

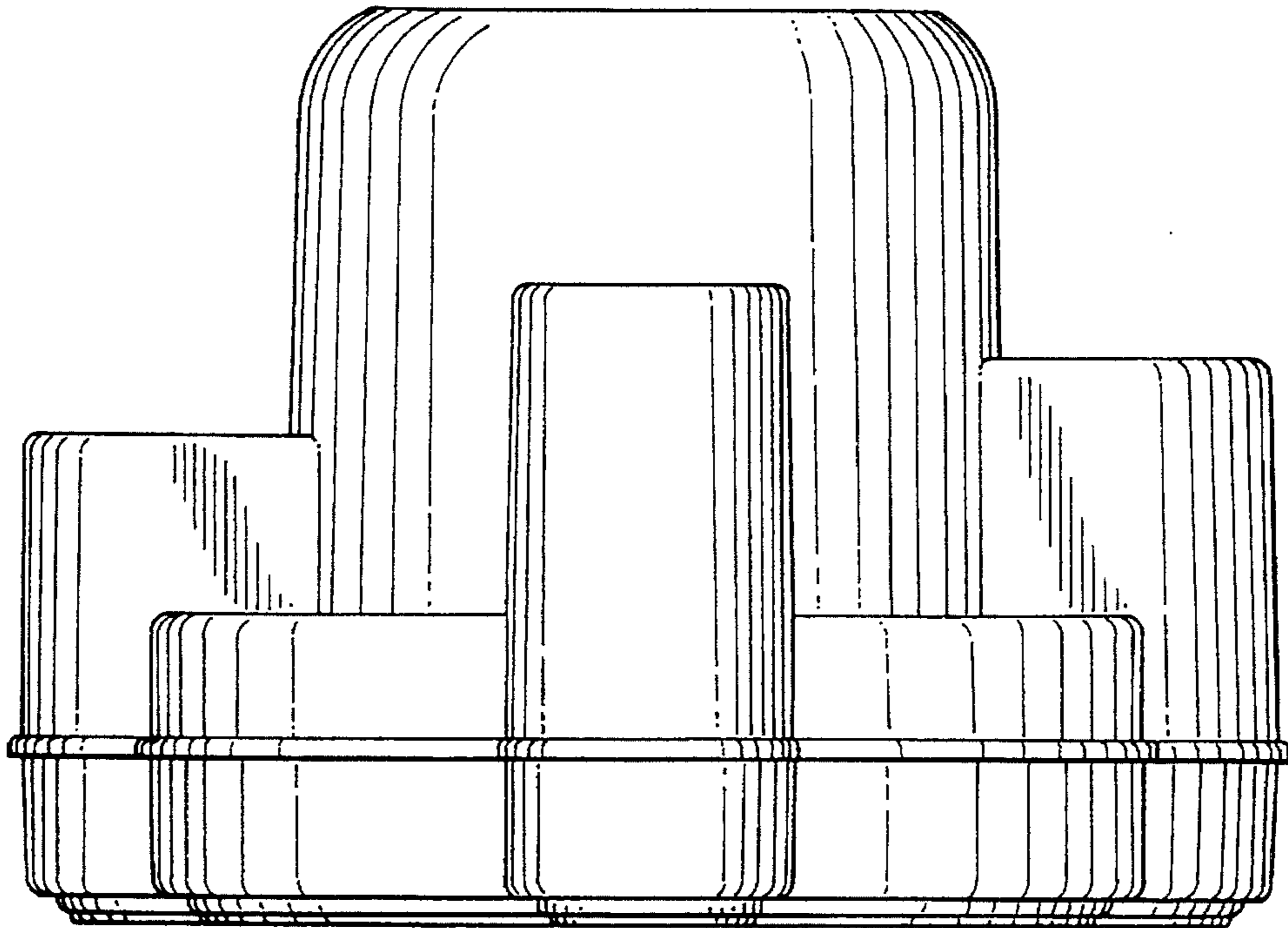


FIG. 3

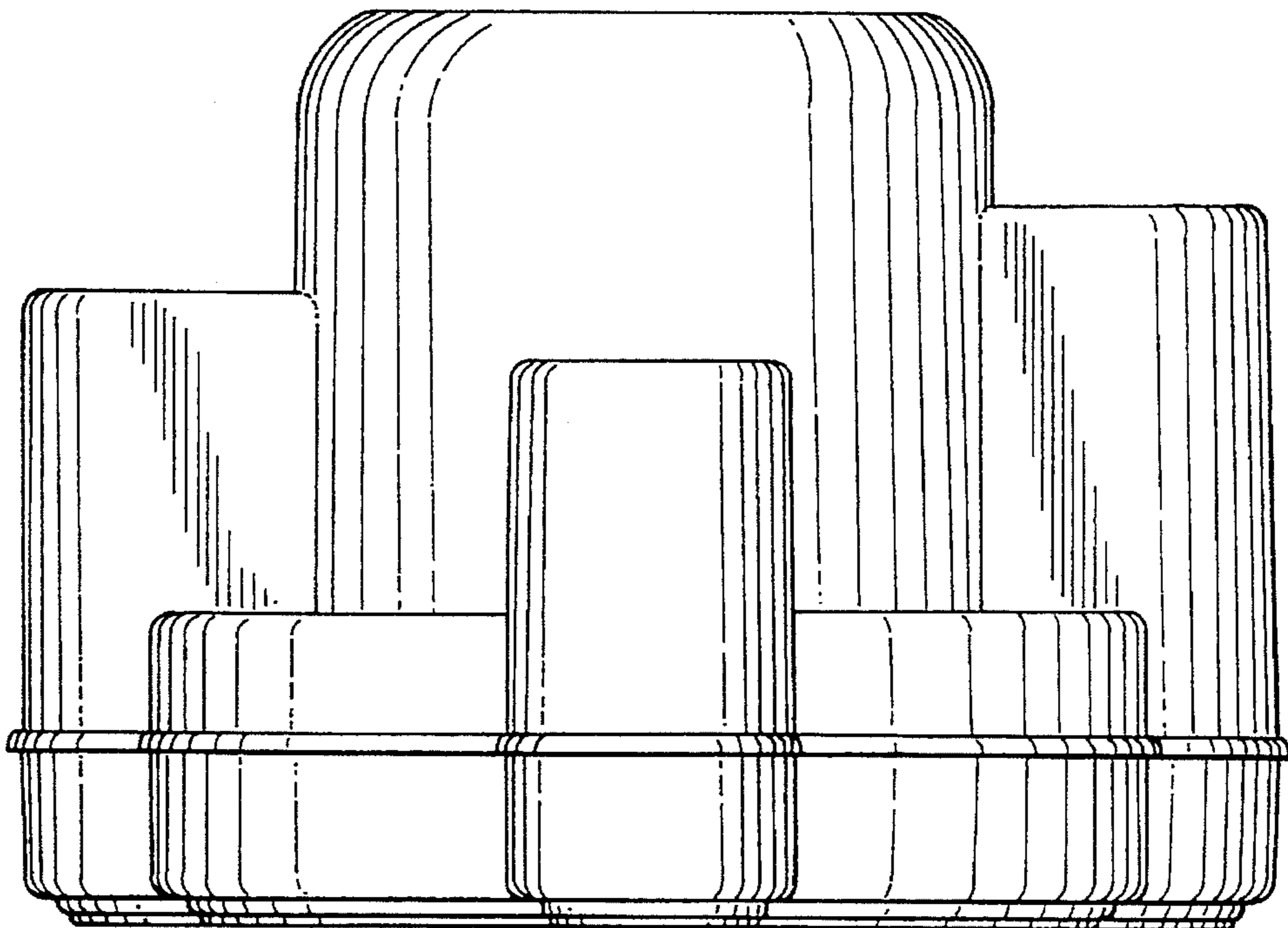




FIG. 4

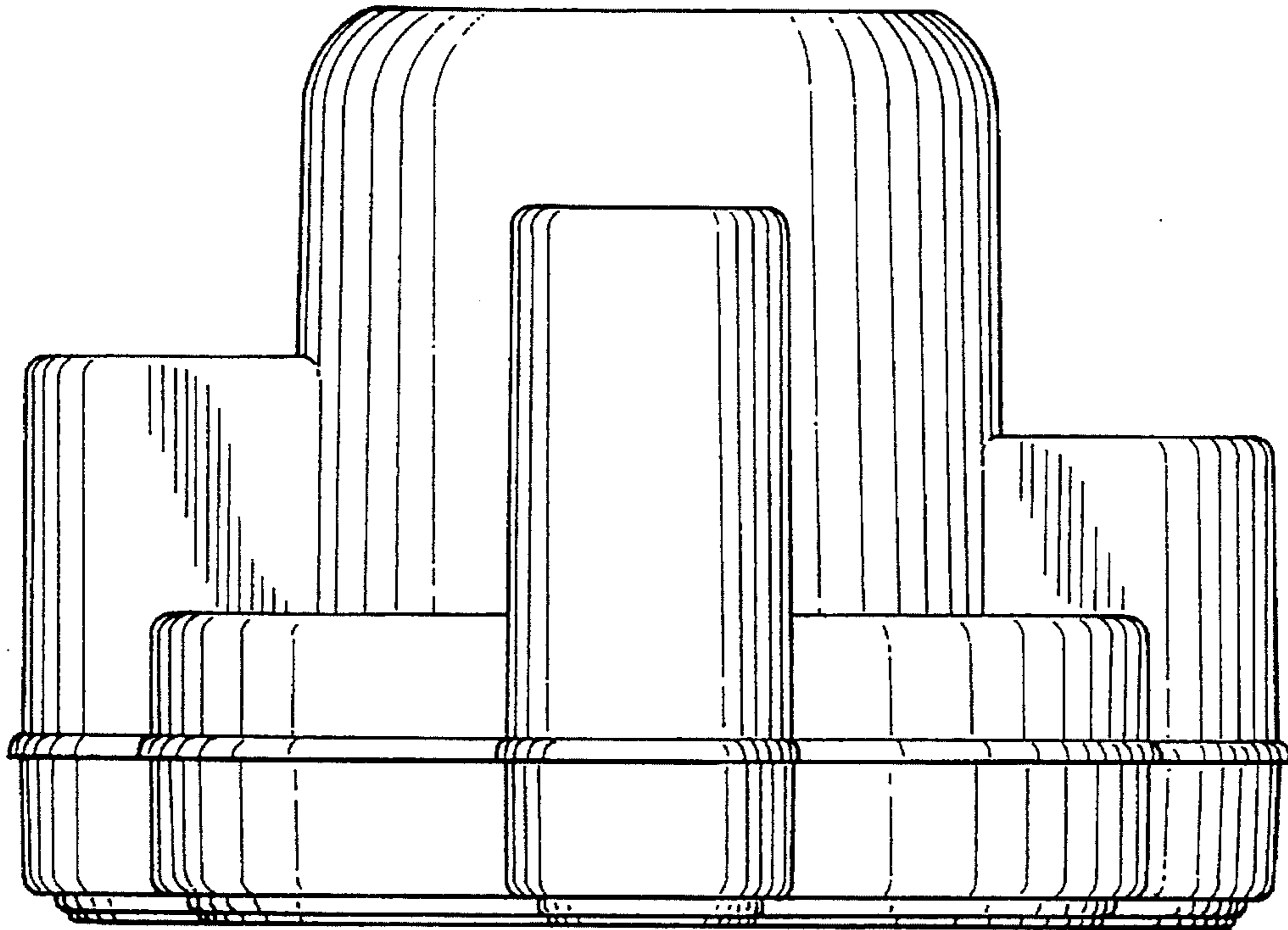


FIG. 5

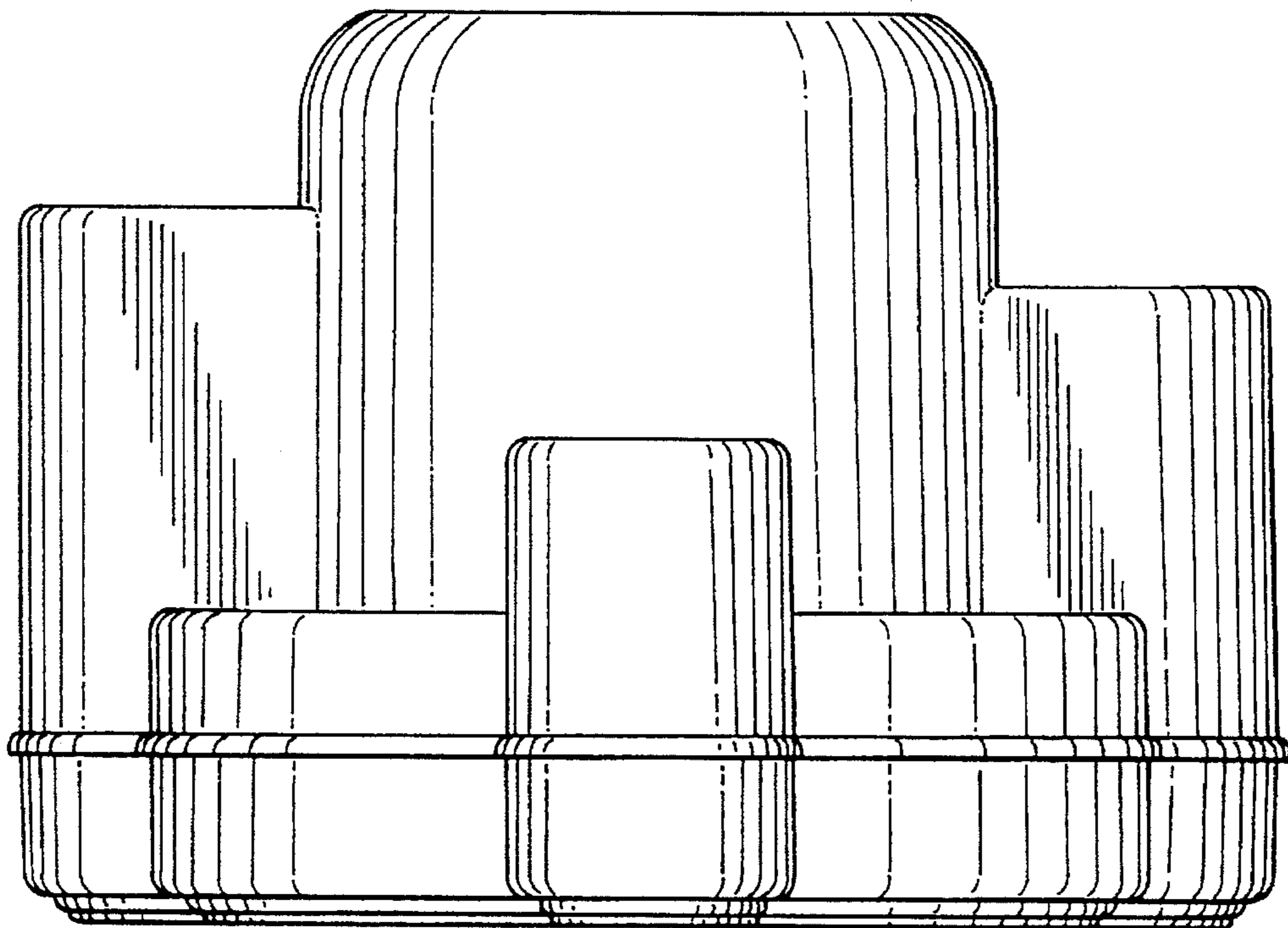


FIG. 6

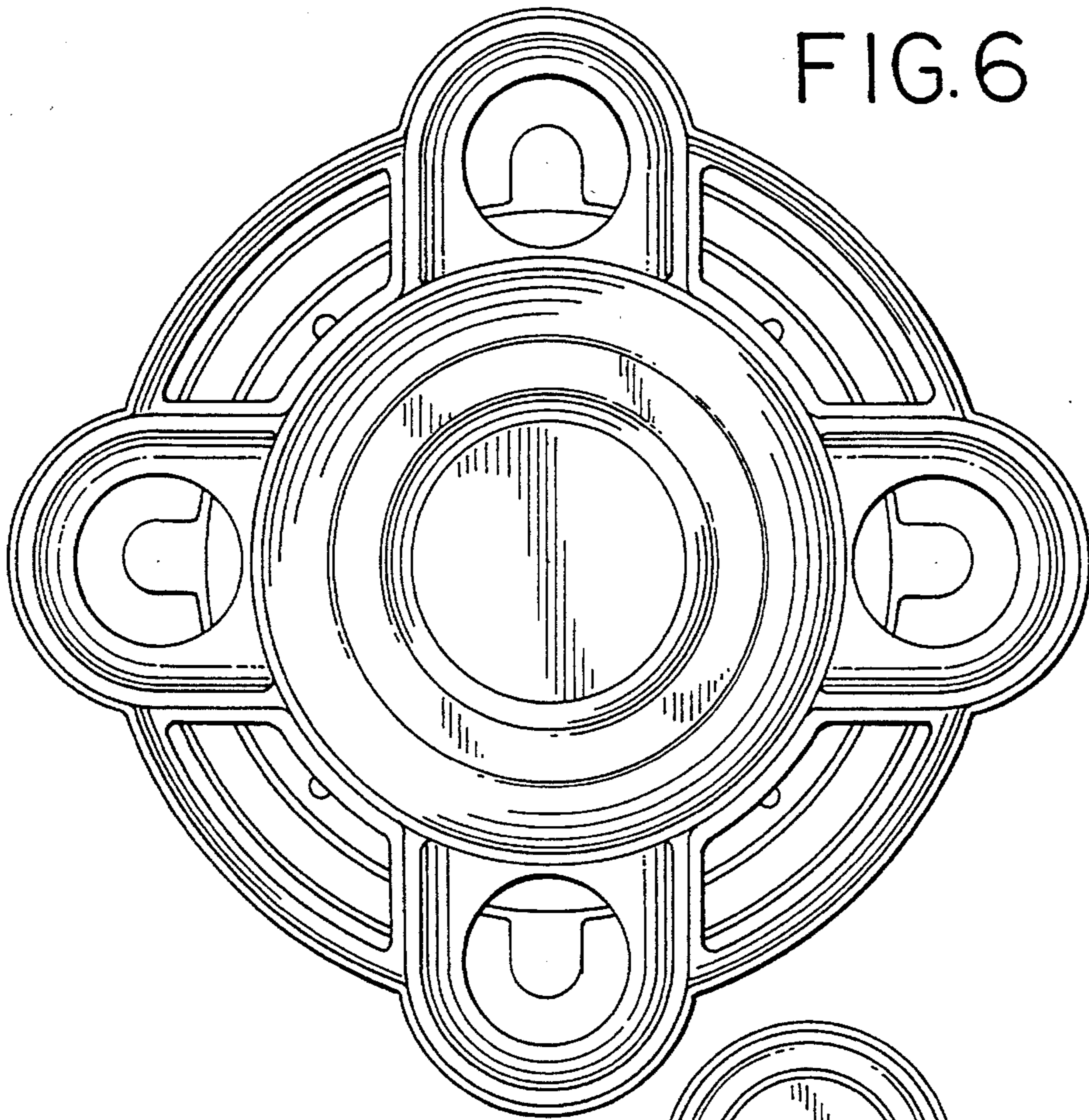


FIG. 7

