



US00D365298S

United States Patent [19]

Dixon

[11] Patent Number: **Des. 365,298**

[45] Date of Patent: ****Dec. 19, 1995**

[54] CHRISTMAS ORNAMENT

[76] Inventor: **Byron P. Dixon**, 6523 Kemper Lakes Ct., Alexandria, Va. 22312

[**] Term: **14 Years**

[21] Appl. No.: **26,954**

[22] Filed: **Sep. 12, 1994**

[52] U.S. Cl. **D11/121**; D11/124; D11/125

[58] Field of Search D11/117, 121, D11/124, 125; 428/7, 11, 542.2, 542.4

[56] References Cited

U.S. PATENT DOCUMENTS

D. 157,156	2/1950	Janowitz	D11/121
D. 188,851	9/1960	Burnbaum	D11/121
D. 195,131	4/1963	Gunter	D11/121

Primary Examiner—Dominic Simone

Attorney, Agent, or Firm—Lowe, Price, LeBlanc & Becker

[57] CLAIM

The new original design for Christmas ornament, as shown and described herein.

DESCRIPTION

FIG. 1 is a front elevational view of a Christmas ornament showing my new design, the rear being identical;

FIG. 2 is a side elevational view thereof, being turned approximately 45 degrees from FIG. 1, the opposite side being identical;

FIG. 3 is a top plan view thereof;

FIG. 4 is a bottom plan view thereof;

FIG. 5 is a front elevational view of a second embodiment of FIG. 1; and,

FIG. 6 is a side elevational view of FIG. 5, being turned approximately 45 degrees from FIG. 5, the opposite side being identical.

The top and bottom plan views of FIG. 5 are identical to that of FIG. 3.

1 Claim, 5 Drawing Sheets

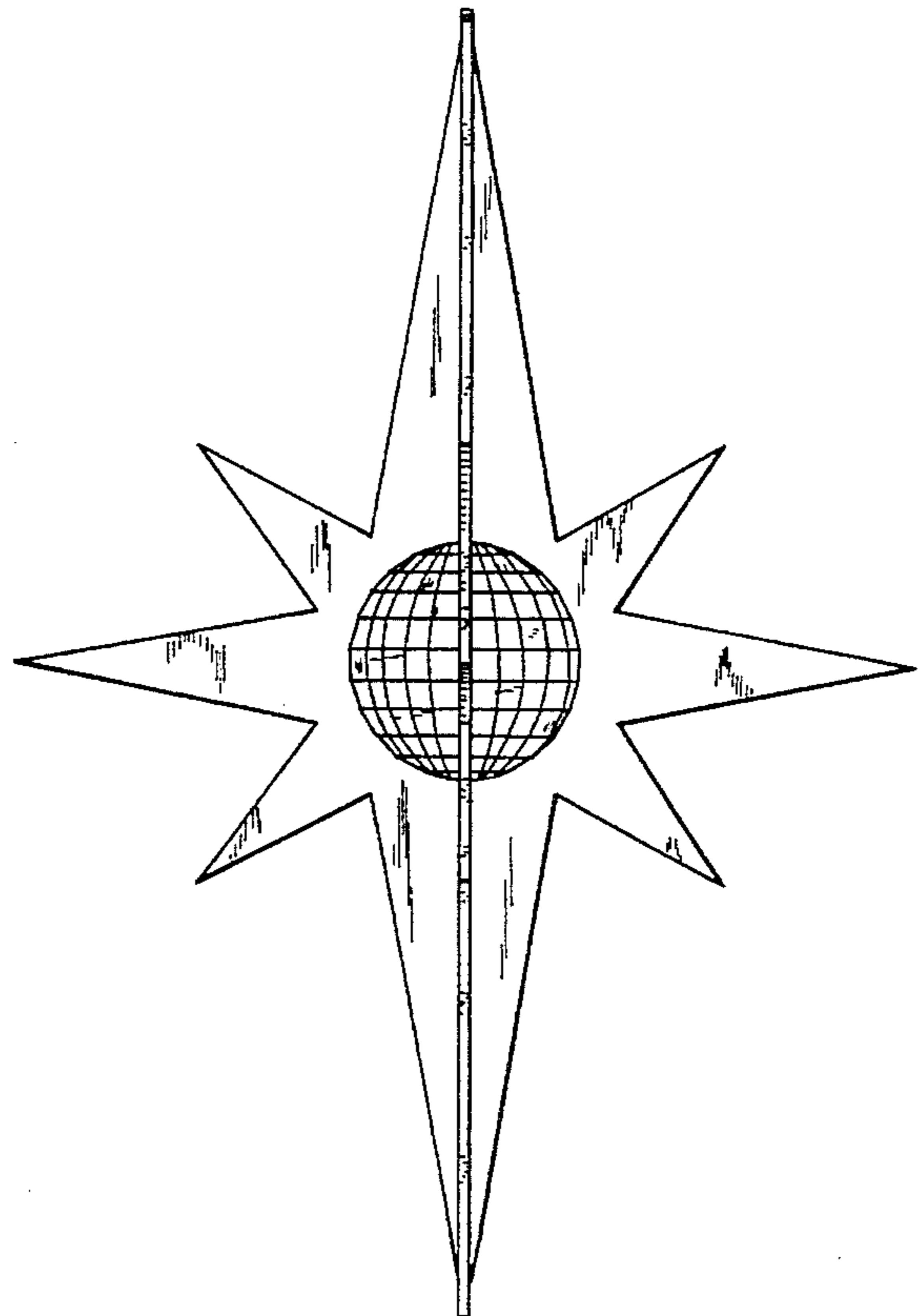
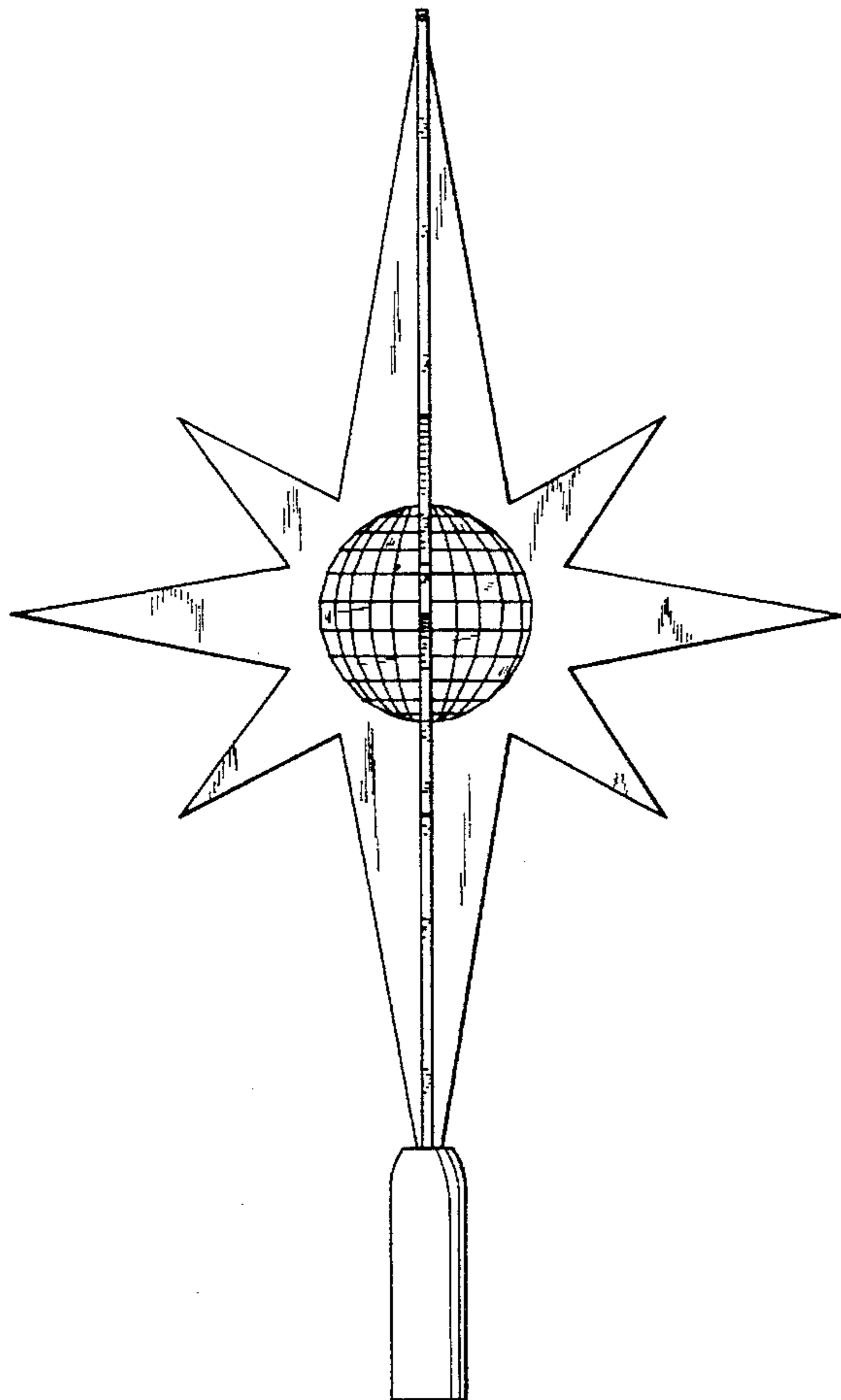


Figure 1

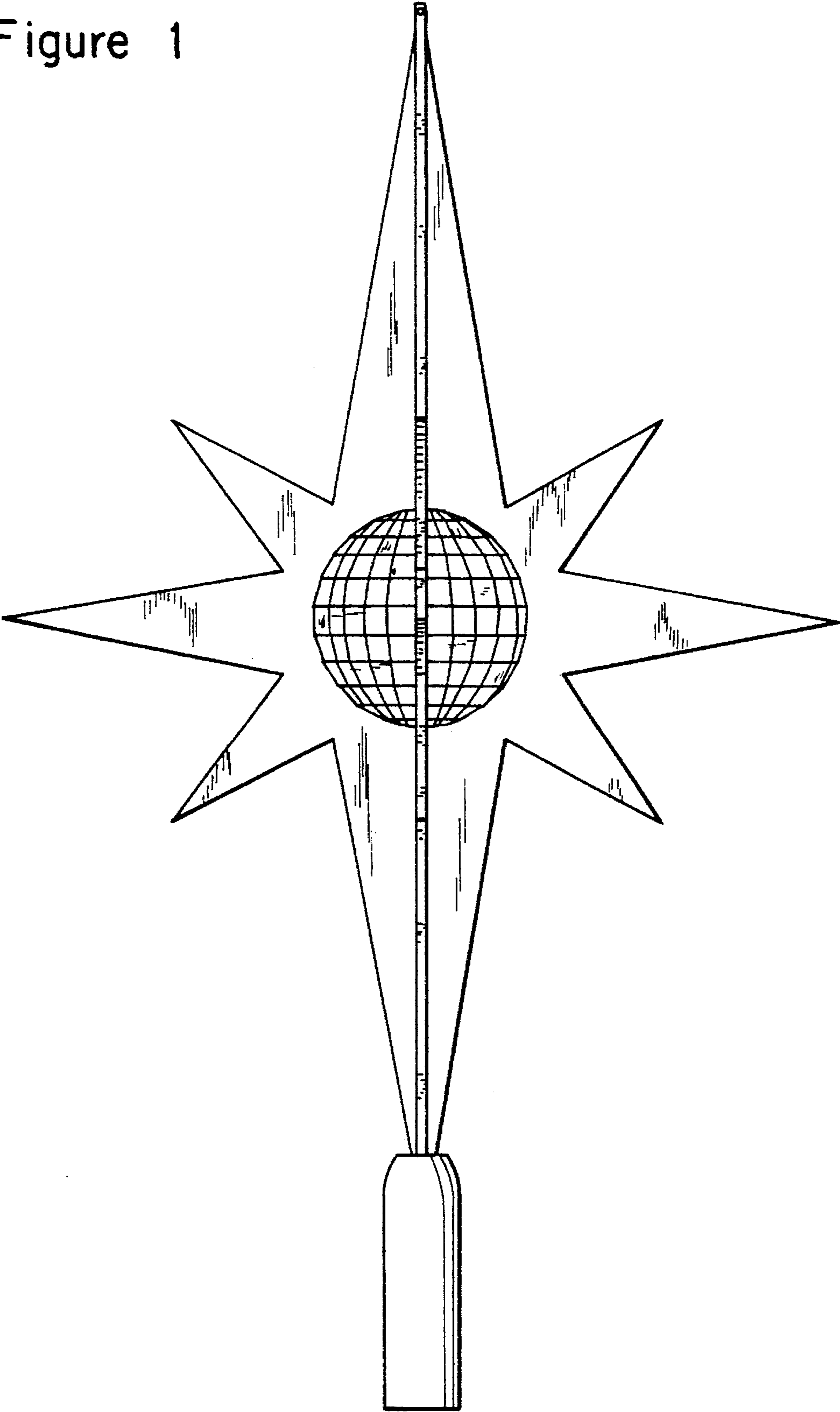


Figure 2

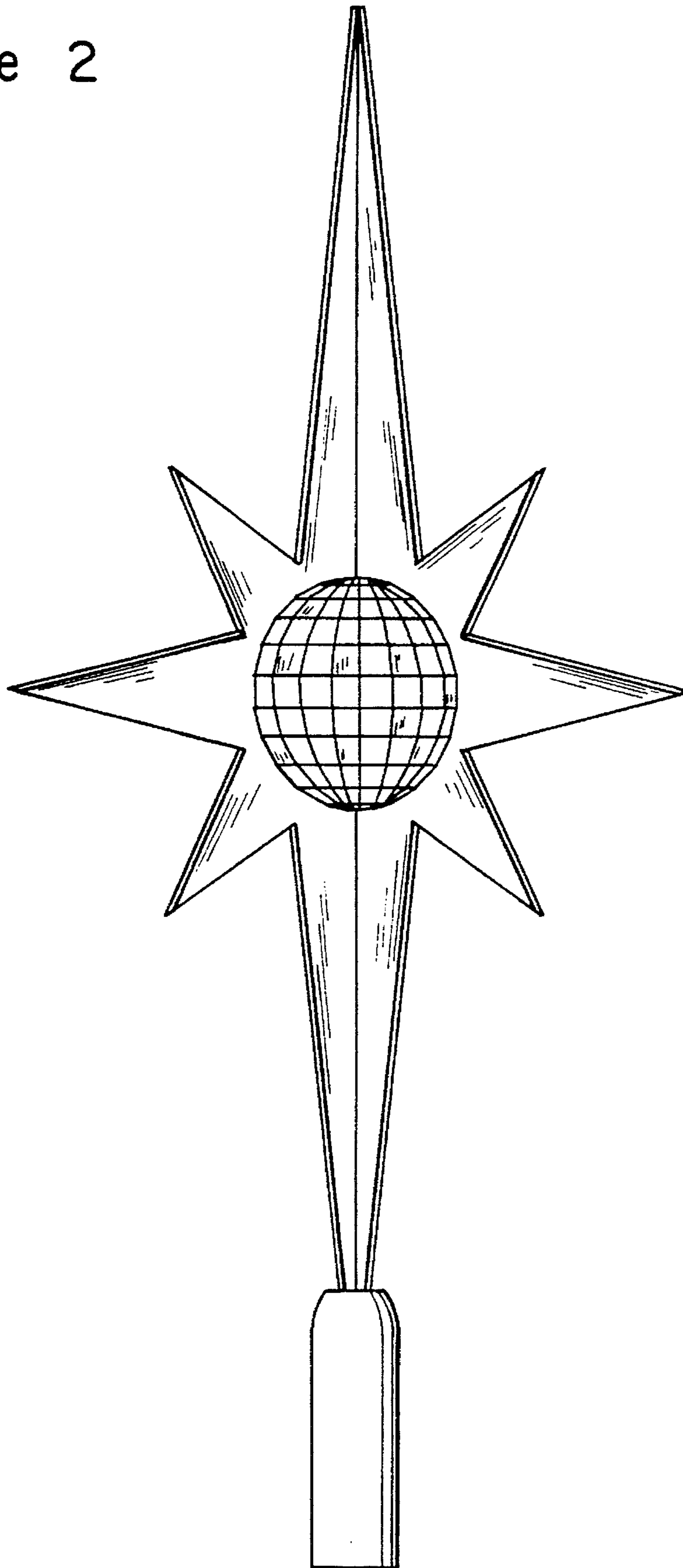


Figure 3

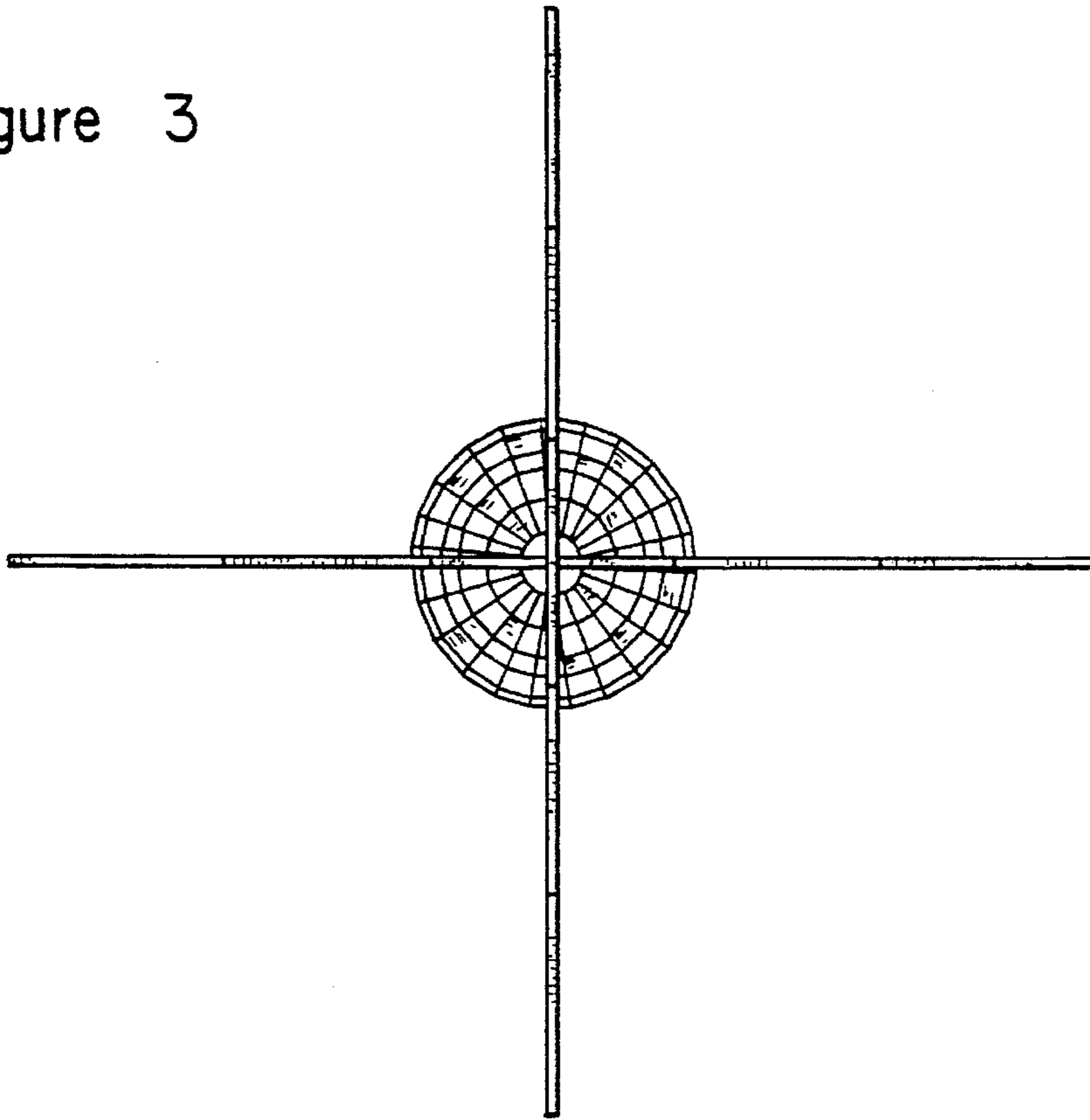


Figure 4

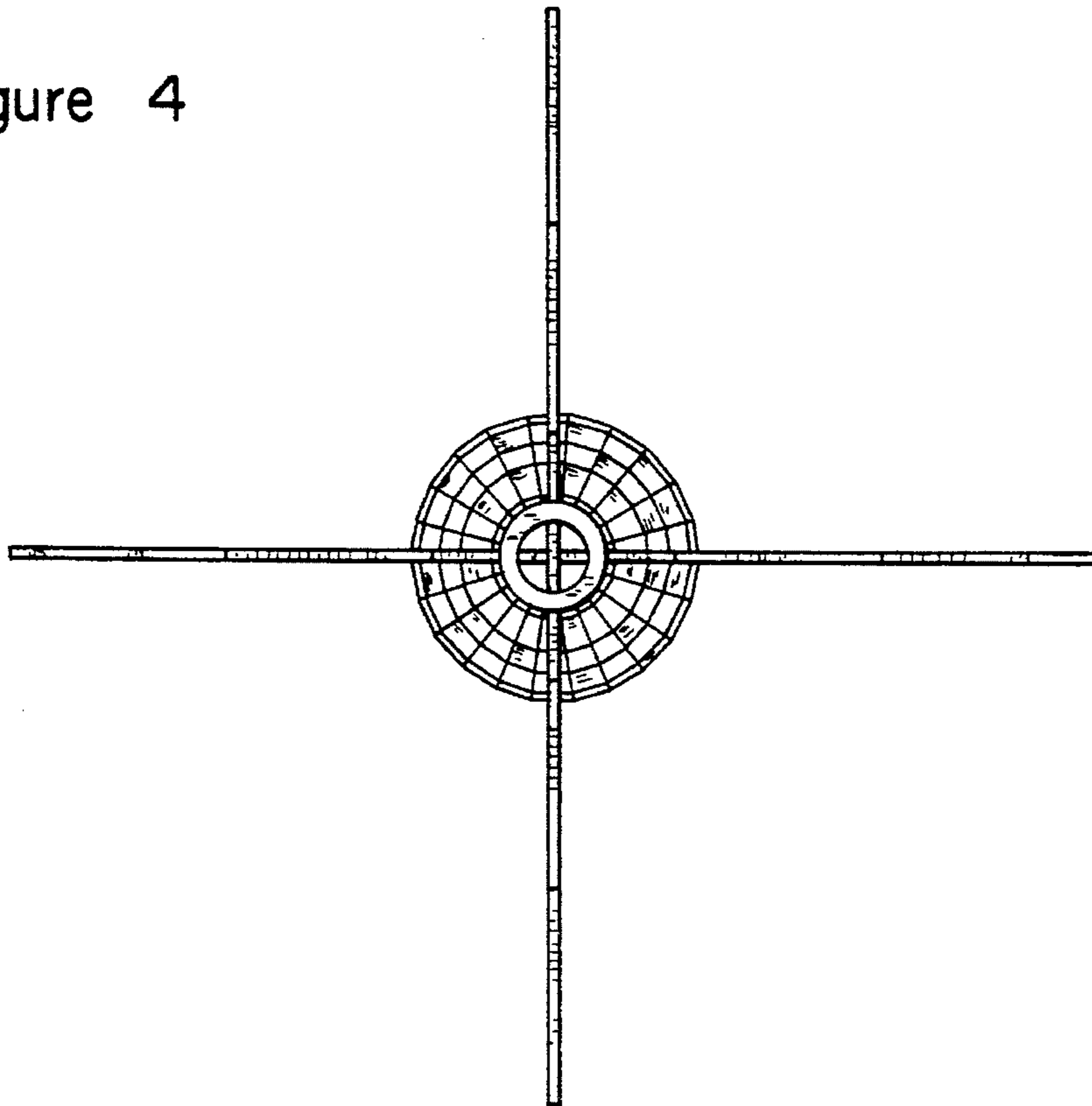


Figure 5

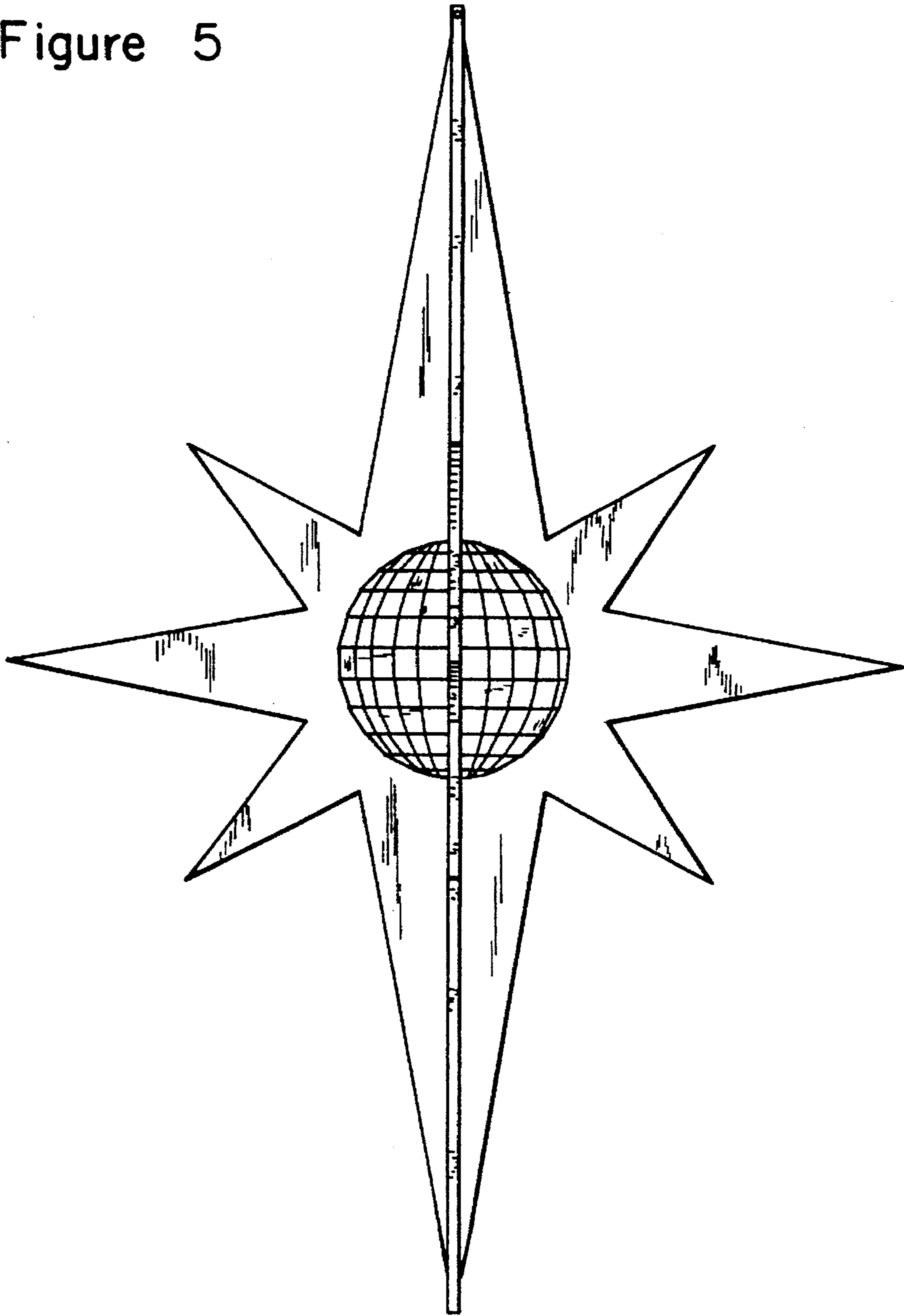


Figure 6

