



US00D365289S

United States Patent [19]
Jorgensen

[11] **Patent Number: Des. 365,289**
[45] **Date of Patent: **Dec. 19, 1995**

[54] **INSTRUMENT COOLING JACKET WITH AIR PURGE**

[75] Inventor: **Glenn F. Jorgensen**, Ridgewood, N.J.

[73] Assignee: **JNT Technical Services, Inc.**, Little Ferry, N.J.

[**] Term: **14 Years**

[21] Appl. No.: **26,632**

[22] Filed: **Aug. 2, 1994**

[52] U.S. Cl. **D10/52; D15/199**

[58] **Field of Search** **D10/52; D15/199;**
237/8 R; 165/11.1; 236/94; 364/156; 266/87.90;
374/128, 133, 208

[56] **References Cited**

U.S. PATENT DOCUMENTS

D. 55,620 7/1920 Knaak D13/123
4,527,896 7/1985 Irani et al. 374/208 X

Primary Examiner—Antoine Duval Davis
Attorney, Agent, or Firm—Hill, Steadman & Simpson

[57] **CLAIM**

The design for an instrument cooling jacket with air purge, as shown and described.

DESCRIPTION

FIG. 1 is a side elevational view of an instrument cooling jacket with air purge embodying the principles of the invention;

FIG. 2 is a side elevational view of the instrument cooling jacket with air purge of FIG. 1 rotated 180° end for end from the showing of FIG. 1;

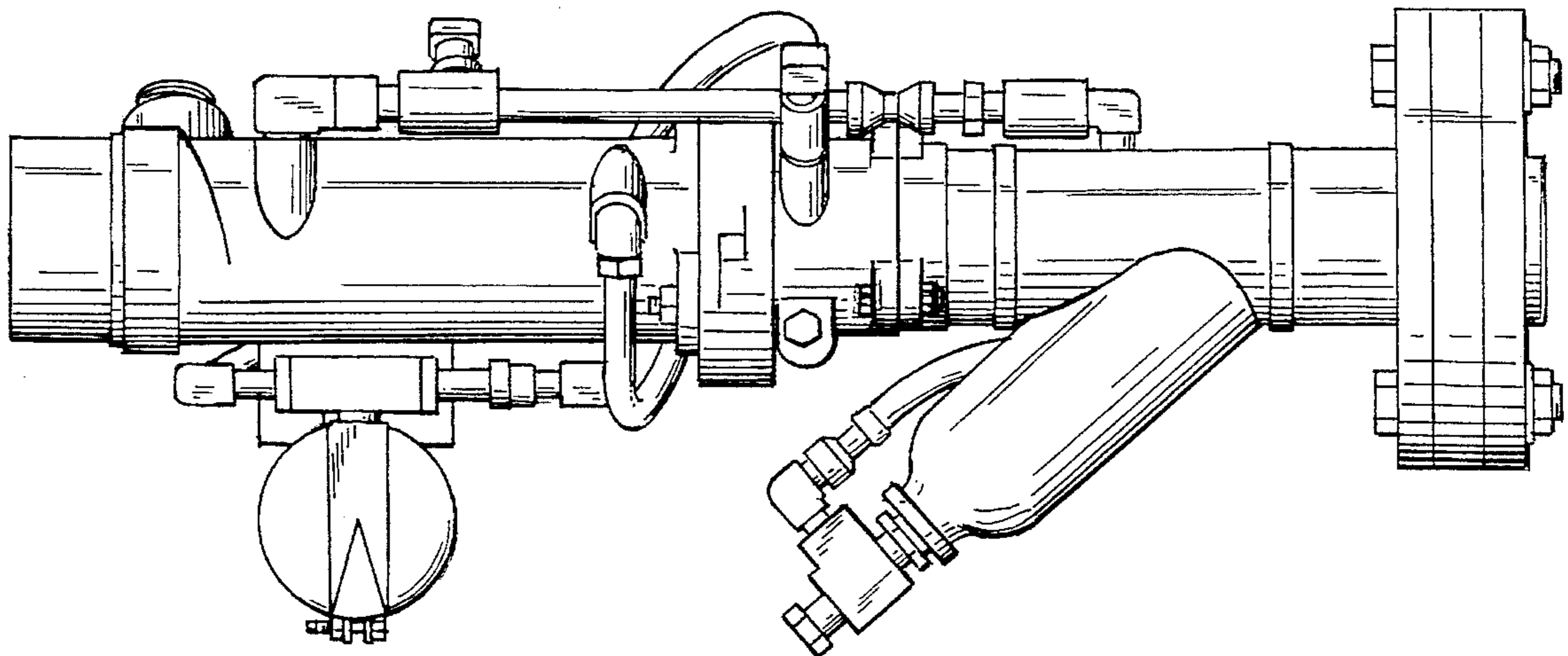
FIG. 3 is a side elevational view of the instrument cooling jacket with air purge of FIG. 1 rotated 90° from the showing of FIG. 1;

FIG. 4 is a side elevational view of the instrument cooling jacket with air purge of FIG. 1 rotated 180° from the showing of FIG. 3;

FIG. 5 is a left end elevational view of the instrument cooling jacket with air purge of FIG. 1; and,

FIG. 6 is a right end elevational view of the instrument cooling jacket with air purge of FIG. 1.

1 Claim, 3 Drawing Sheets



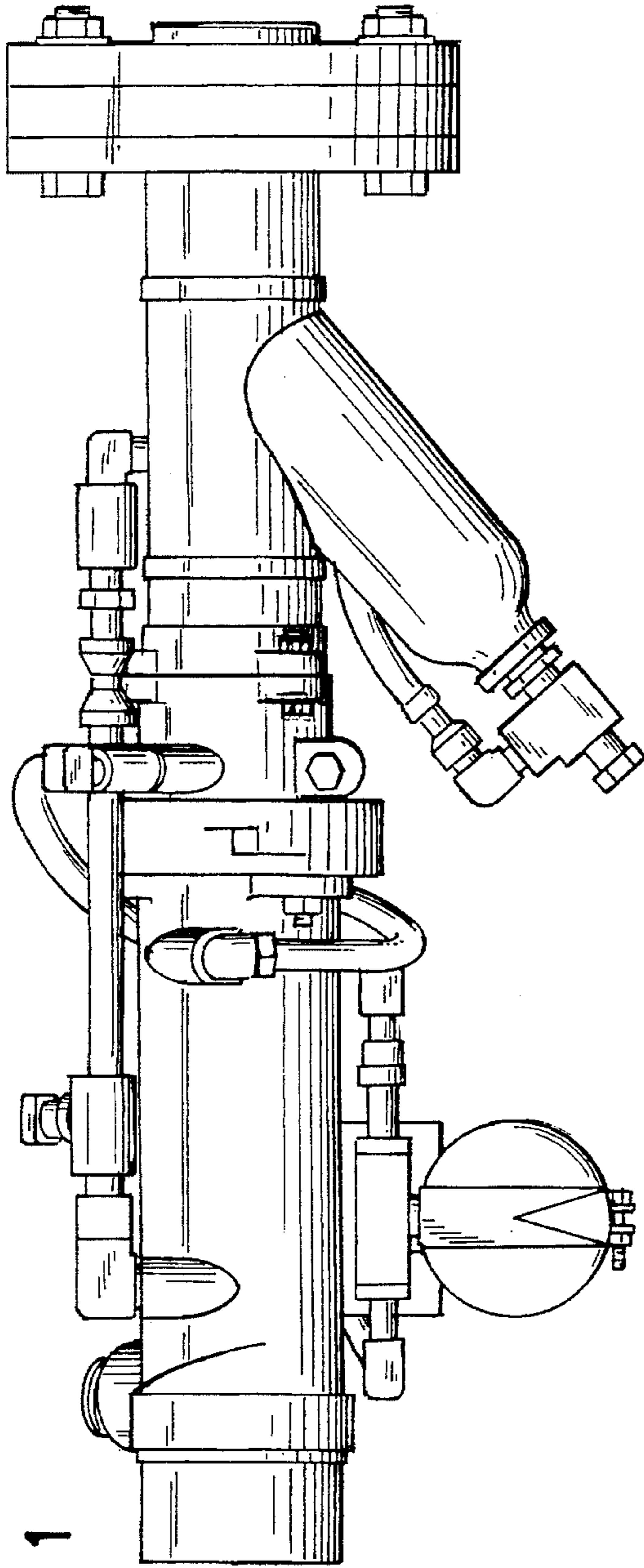
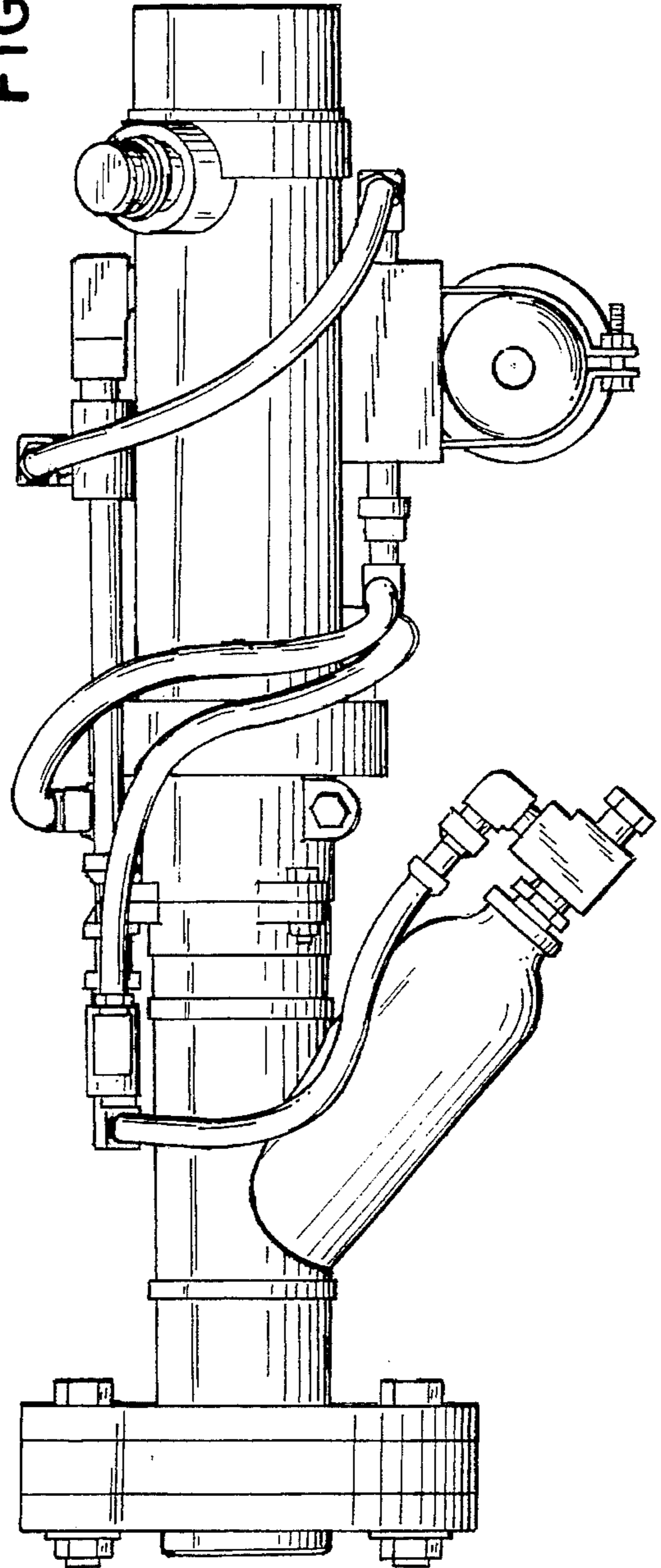


FIG. 1

FIG. 2



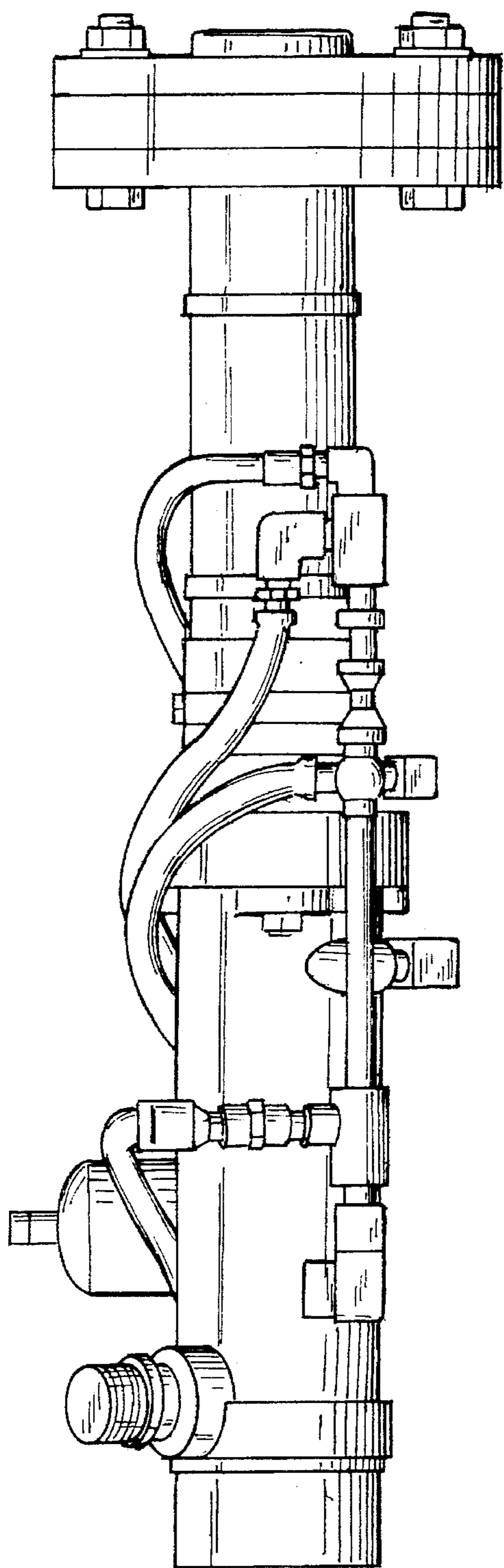


FIG. 3

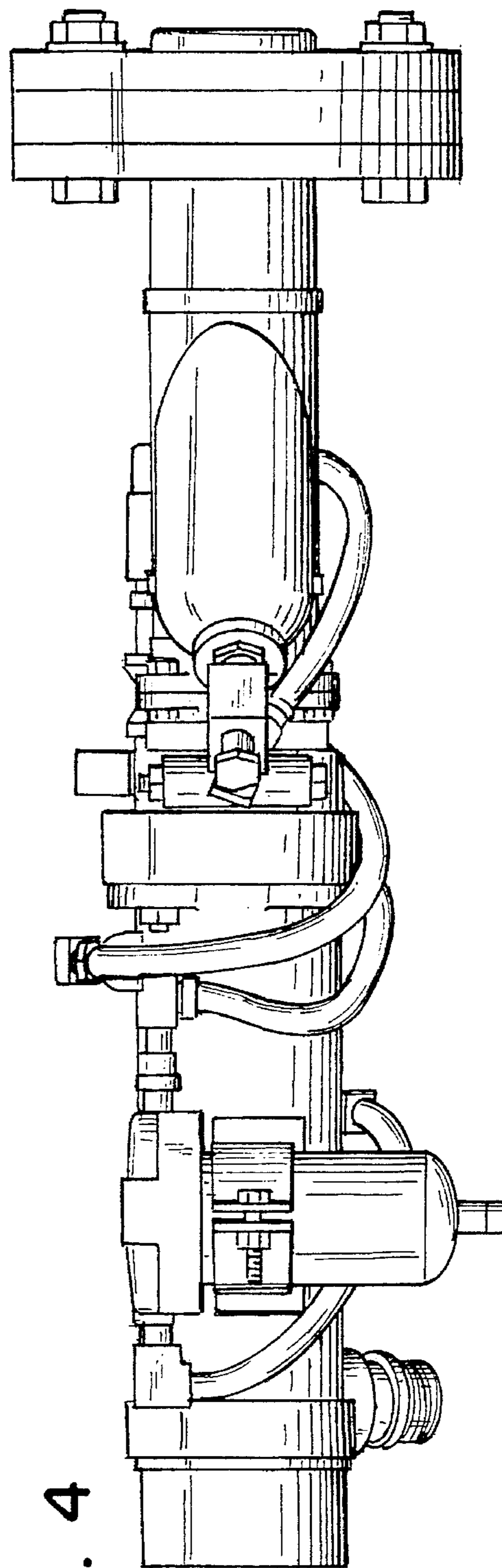


FIG. 4

FIG. 5

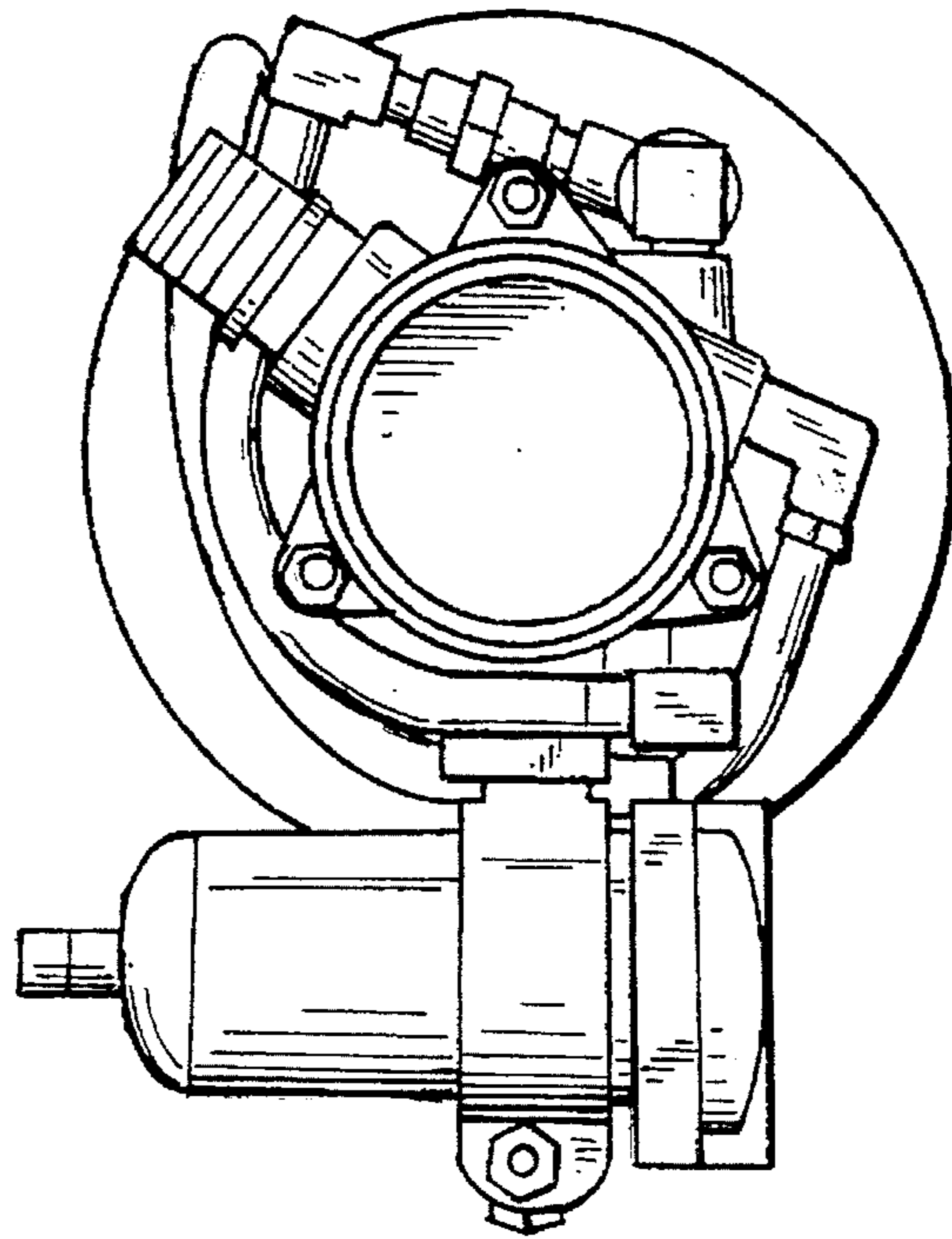


FIG. 6

