



US00D365283S

United States Patent [19]

Goulet Mauboussin

[11] Patent Number: **Des. 365,283**

[45] Date of Patent: ****Dec. 19, 1995**

[54] **WATCH CASING WITHOUT WATCH FACE AND WATCHBAND**

[75] Inventor: **Jean Goulet Mauboussin, Paris, France**

[73] Assignee: **Mauboussin - Successeur de Noury, Paris, France**

[**] Term: **14 Years**

[21] Appl. No.: **21,467**

[22] Filed: **Apr. 18, 1994**

[30] **Foreign Application Priority Data**

Mar. 28, 1994 [WO] WIPO PCT/DM/029,159

[52] U.S. Cl. **D10/30**

[58] Field of Search D10/1-40, 122-132;
368/280-282, 276-277, 285

[56] **References Cited**

U.S. PATENT DOCUMENTS

D. 164,831 10/1951 Warren D10/39

D. 164,832 10/1951 Warren D10/39
D. 322,763 12/1991 Saint-Dizier D10/39
D. 327,023 6/1992 St.-Dizier D10/39
D. 333,989 3/1993 Sugibayashi D10/39

Primary Examiner—Nelson C. Holtje
Attorney, Agent, or Firm—Darby & Darby

[57] **CLAIM**

The ornamental design for watch casing without watch face and watchband, as shown and described.

DESCRIPTION

FIG. 1 is a bottom perspective view of the watch casing without watch face and watchband showing my new design; FIG. 2 is a top perspective view thereof; FIG. 3 is a bottom plan view thereof; FIG. 4 is an right side elevated view thereof; FIG. 5 is an left side elevated view thereof; FIG. 6 is an top side elevated view thereof; and, FIG. 7 is an bottom side elevated view thereof.

1 Claim, 7 Drawing Sheets

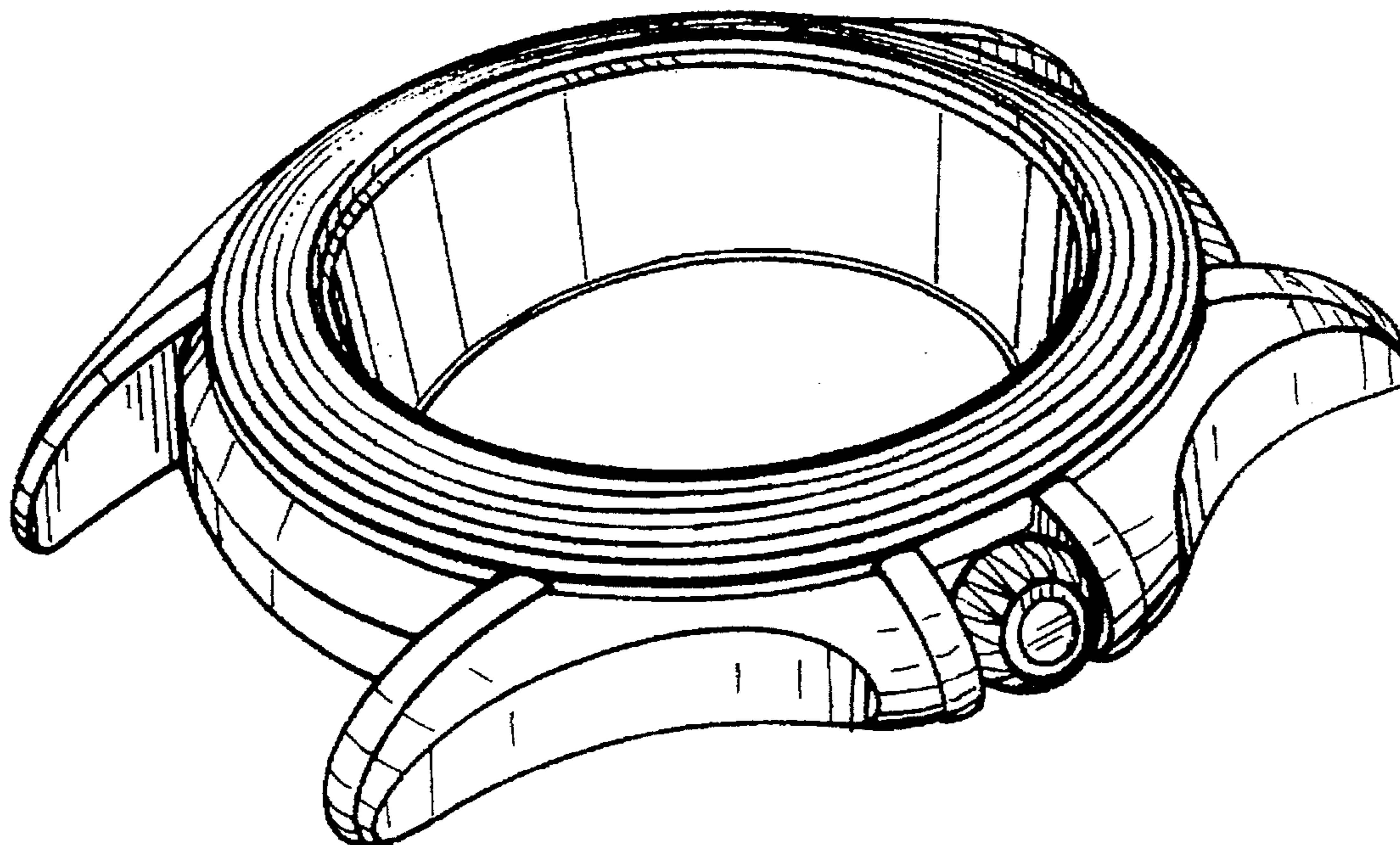


FIG. 1

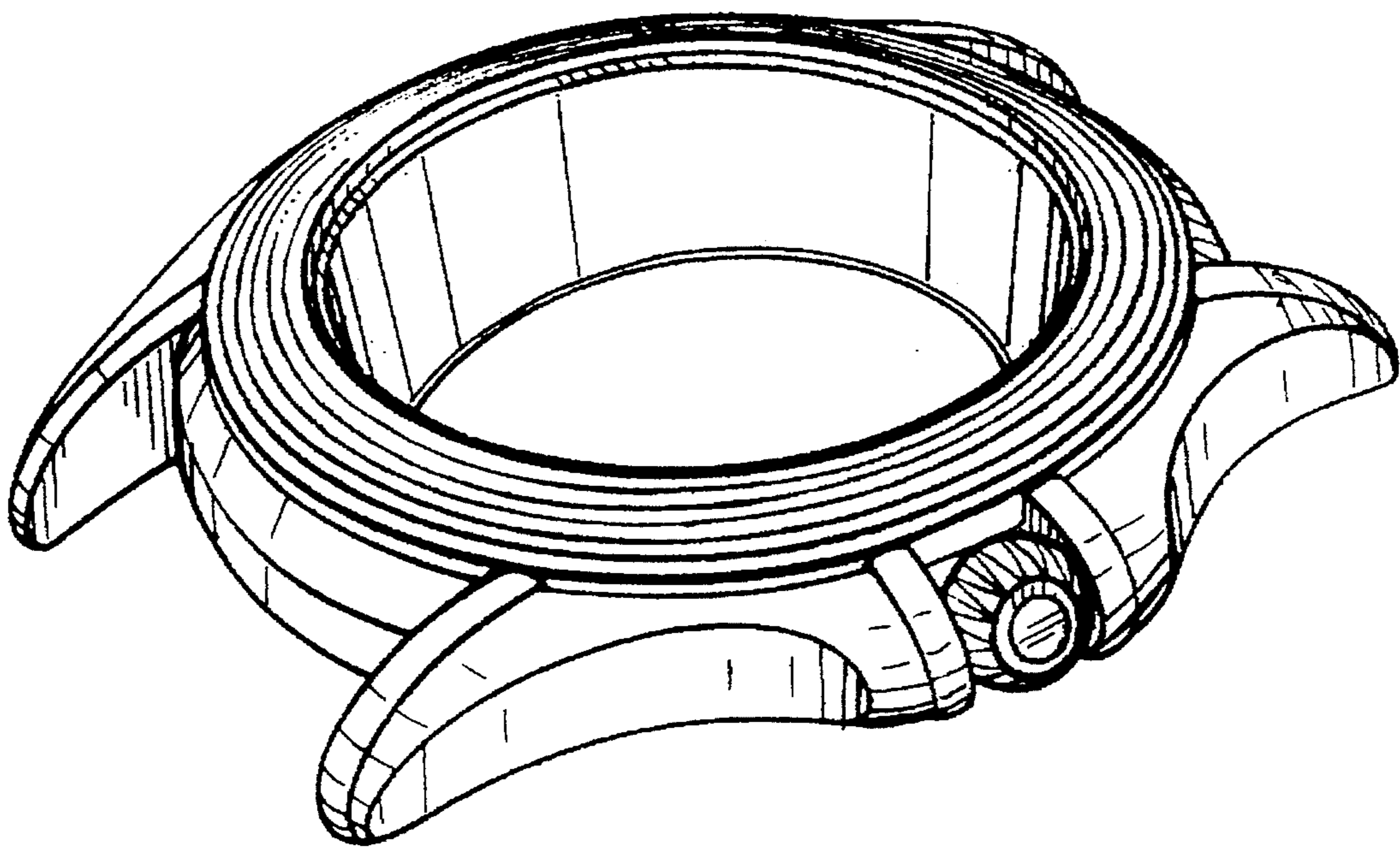


FIG. 2

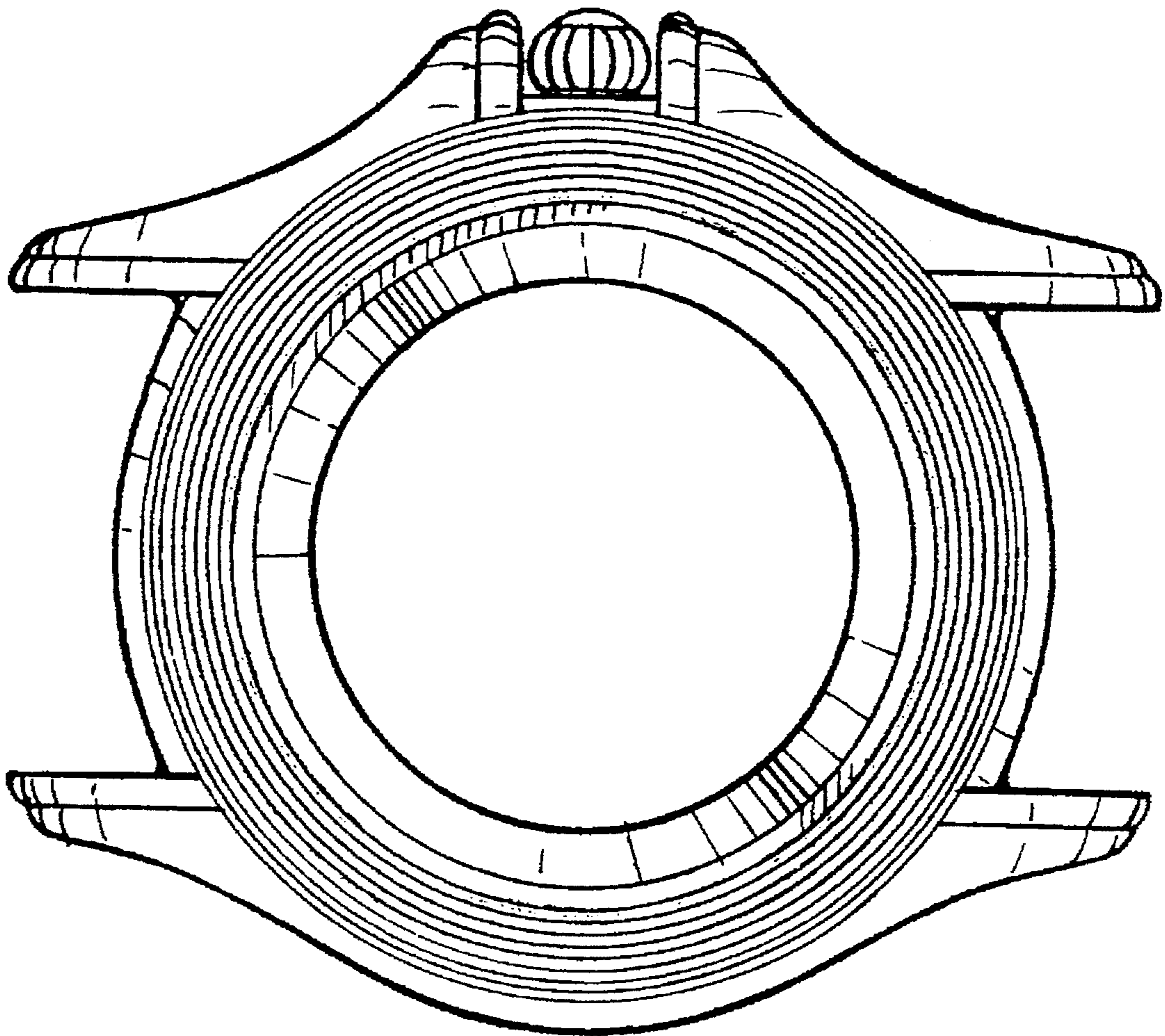


FIG. 3

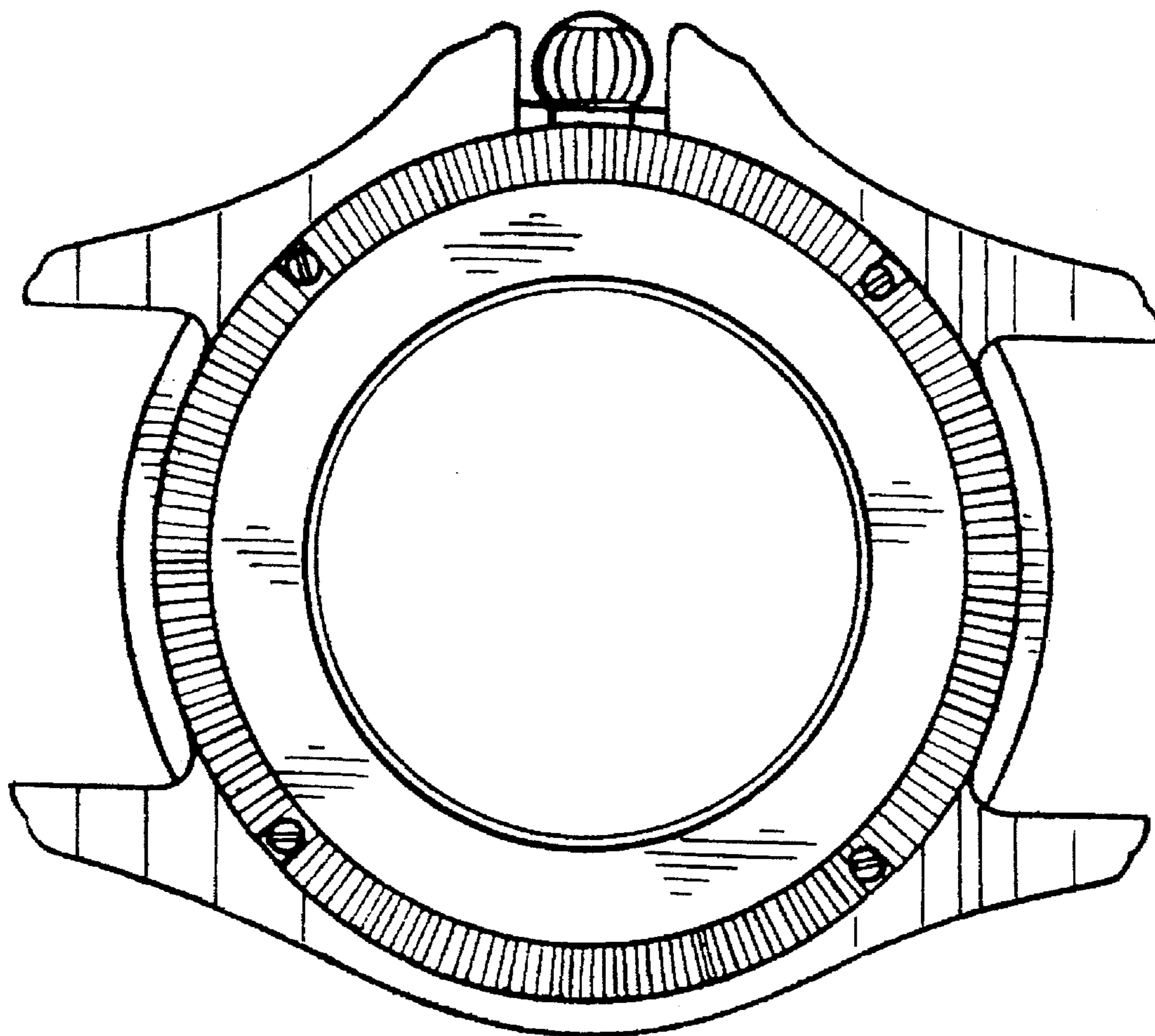


FIG. 4

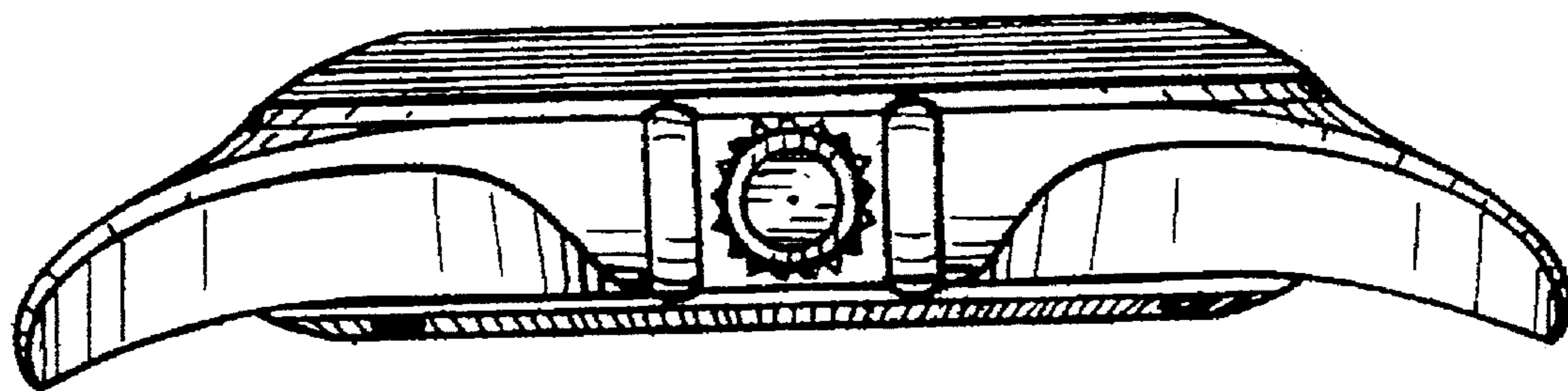


FIG. 5

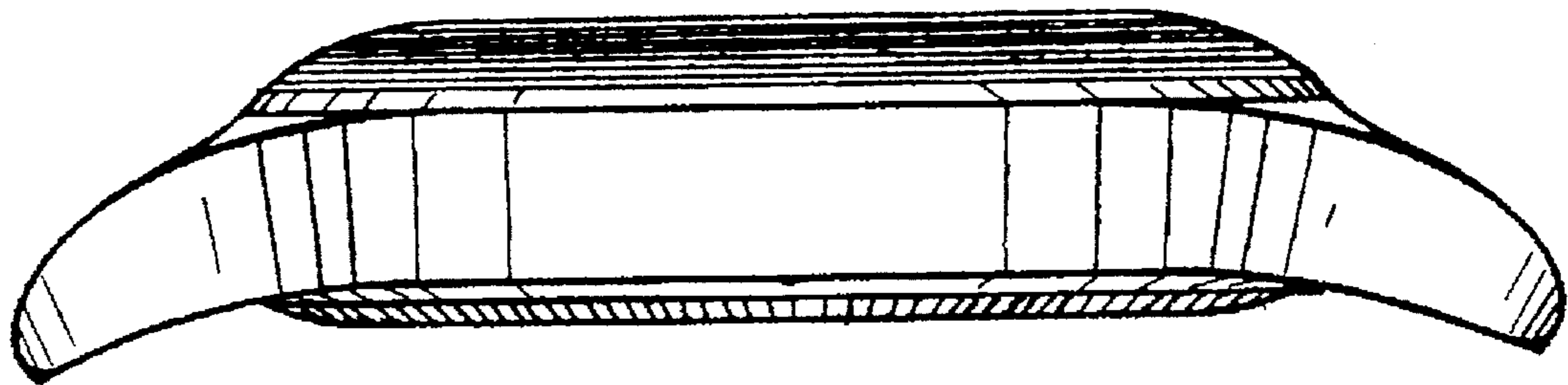


FIG. 6

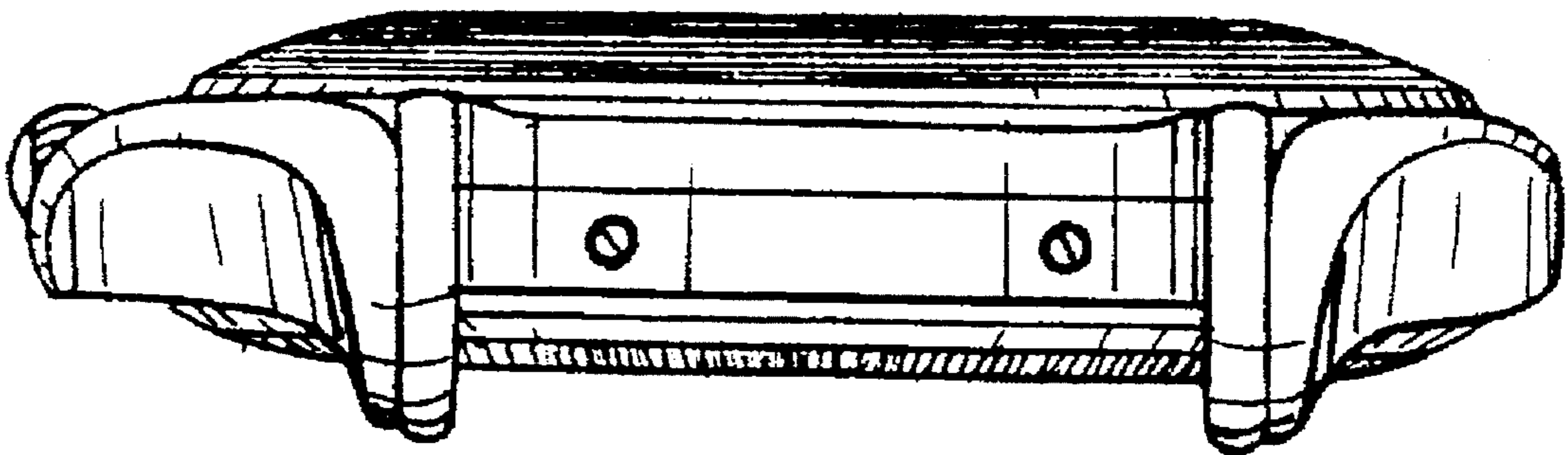


FIG. 7

