



US00D365279S

United States Patent [19] Sculatti

[11] **Patent Number: Des. 365,279**
[45] **Date of Patent: **Dec. 19, 1995**

[54] **CLOCK**

[76] Inventor: **Ron Sculatti**, 1228 Main St., St. Helena, Calif. 94574

[**] Term: **14 Years**

[21] Appl. No.: **34,798**

[22] Filed: **Feb. 13, 1995**

[52] **U.S. Cl.** **D10/6**

[58] **Field of Search** D10/6, 22-23, D10/28, 122-132; 368/223, 228, 232, 276, 285; D22/140, 141

[56] **References Cited**

U.S. PATENT DOCUMENTS

D. 179,977	4/1957	Maddox	D10/7
D. 228,302	9/1973	Ingraham	D10/6
D. 273,218	3/1984	Atobe	D22/140
D. 299,509	1/1989	Iinuma	D22/140

FOREIGN PATENT DOCUMENTS

219463	9/1956	Australia	D22/140
--------	--------	-----------	-------	---------

OTHER PUBLICATIONS

Daiwa Corp. Catalog. 1985-p. 48-reel at top.

Primary Examiner—Nelson C. Holtje
Attorney, Agent, or Firm—Larry D. Johnson

[57] **CLAIM**

The ornamental design for a clock, as shown and described.

DESCRIPTION

FIG. 1 is a perspective view of the clock showing my new design;

FIG. 2 is a front elevational view thereof;

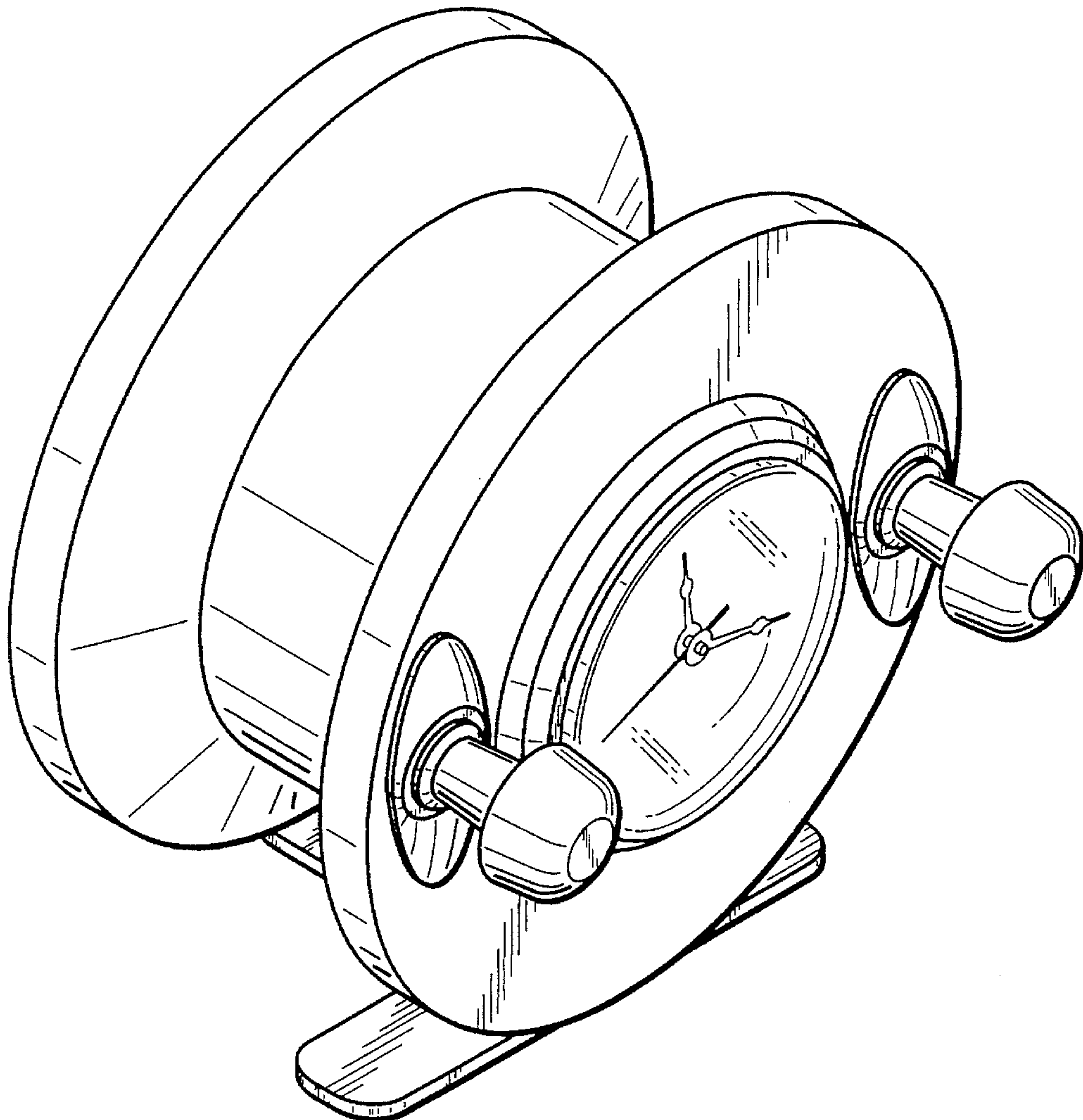
FIG. 3 is a left side view thereof, the right side being a mirror image;

FIG. 4 is a rear elevational view thereof;

FIG. 5 is a top plan view thereof; and,

FIG. 6 is a bottom plan view thereof.

1 Claim, 3 Drawing Sheets



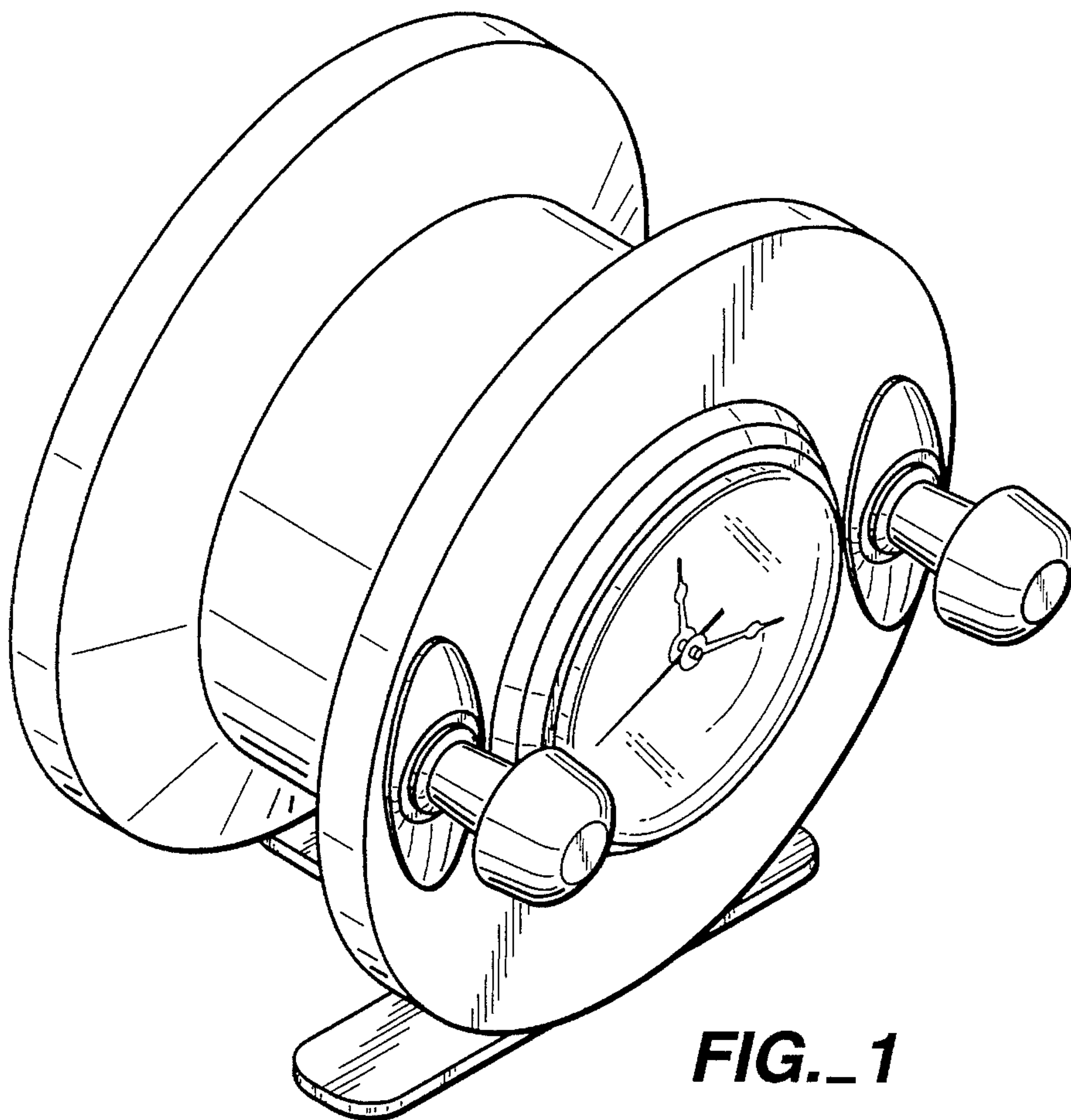


FIG. 1

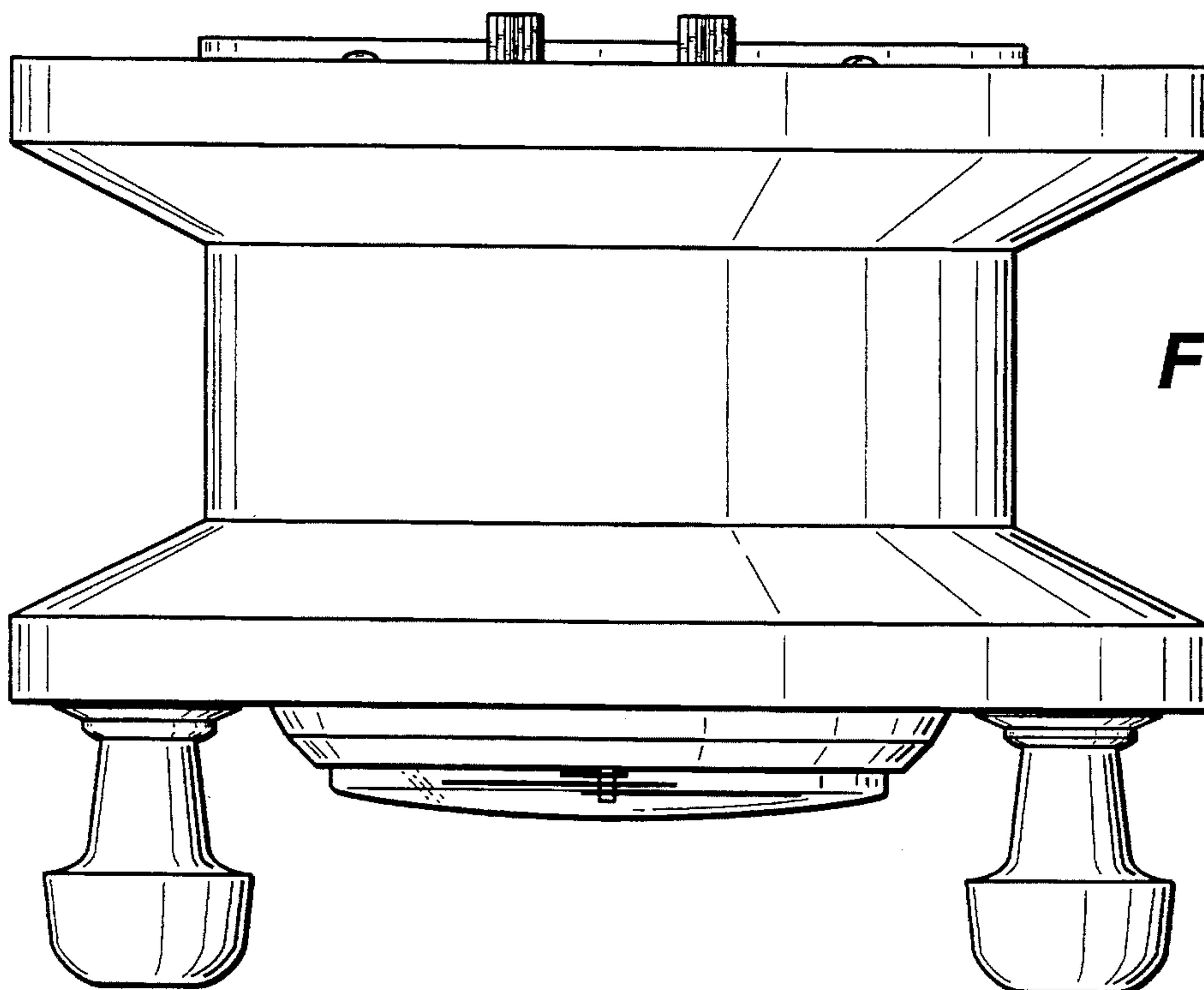


FIG. 5

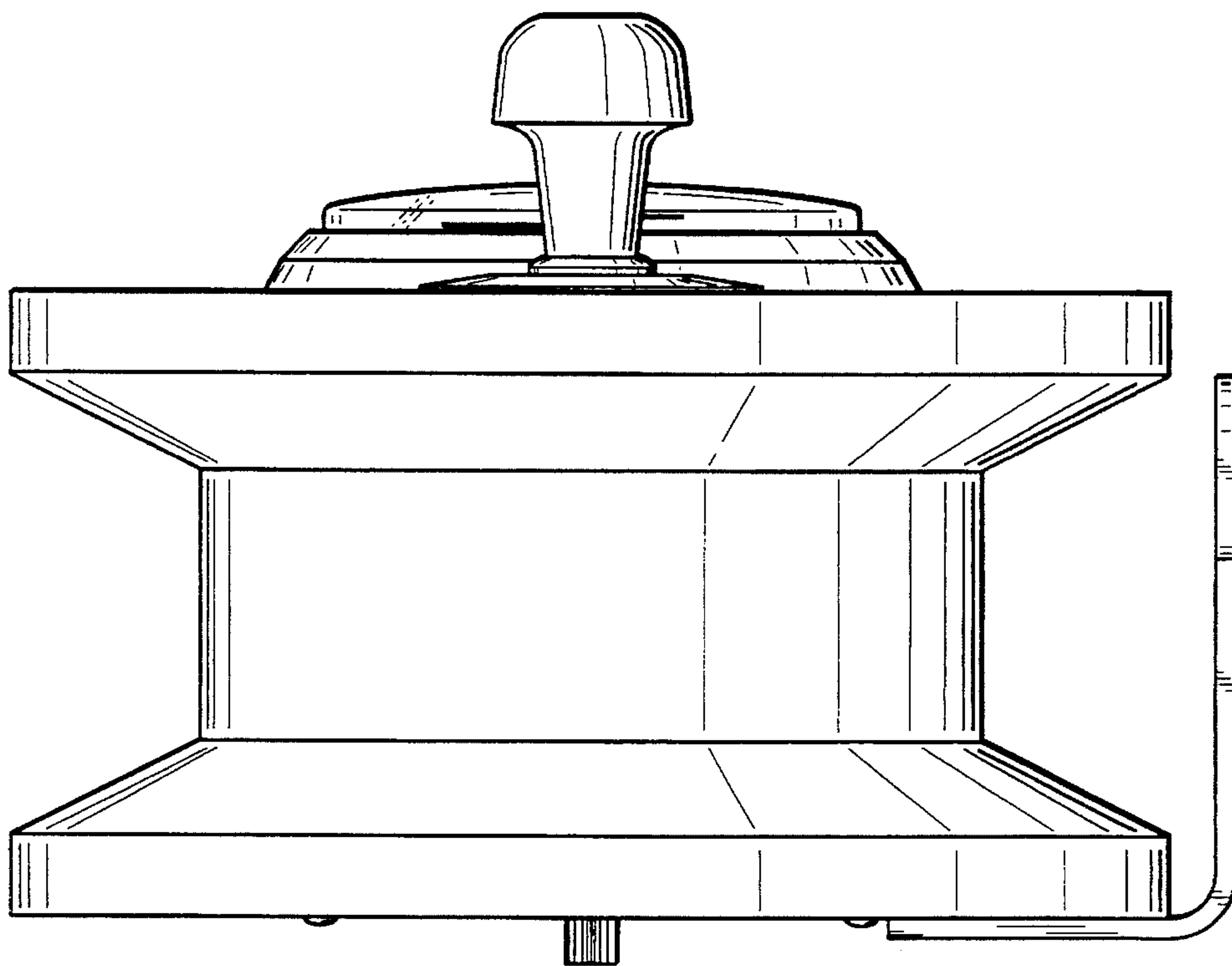


FIG.-3

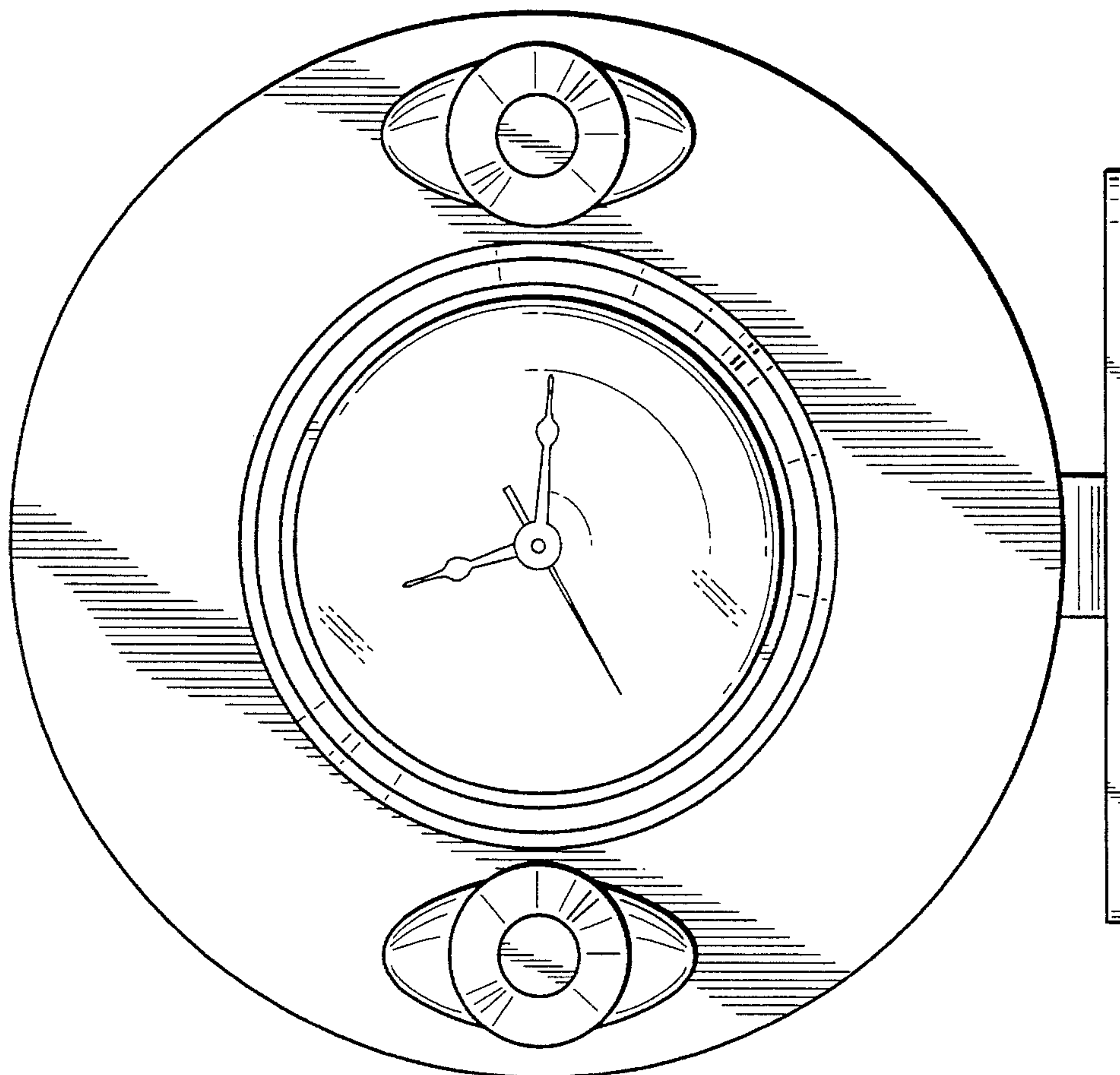


FIG.-2

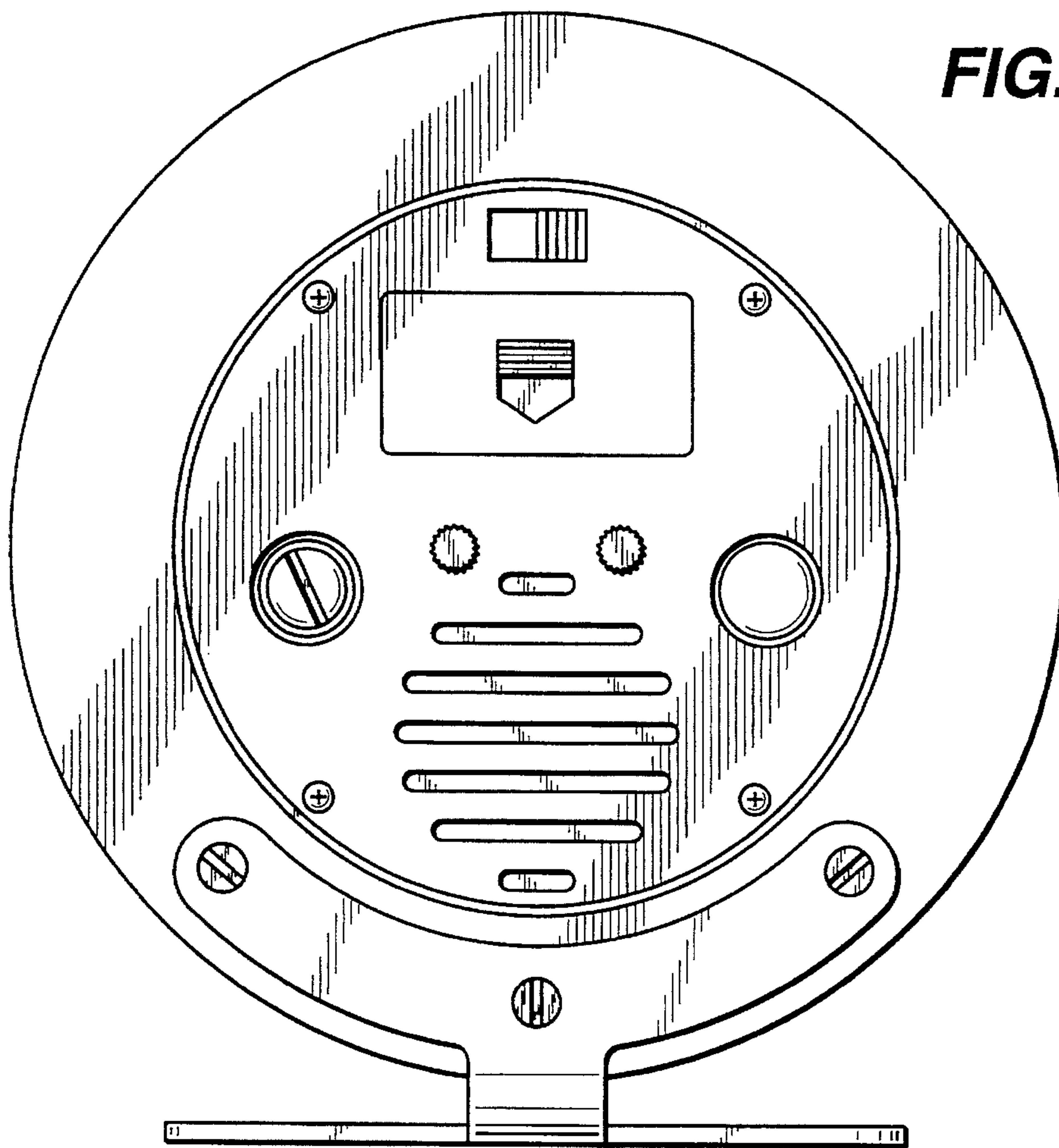


FIG._4

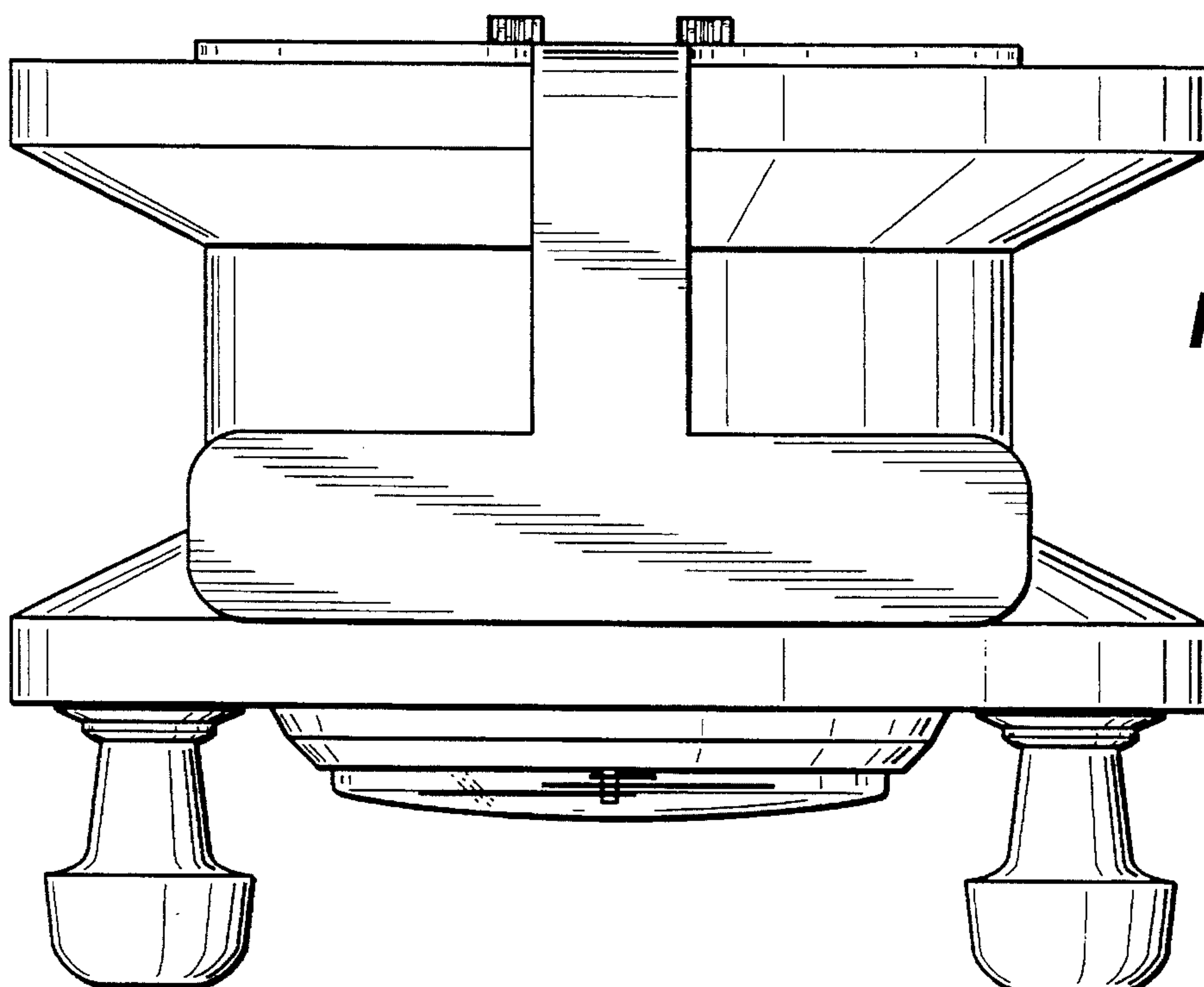


FIG._6