



US00D365274S

United States Patent [19] Cook

[11] Patent Number: **Des. 365,274**

[45] Date of Patent: ****Dec. 19, 1995**

[54] **EASY FLOW CAN LID**

4,184,607 1/1980 Potts .

[76] Inventor: **Raymon W. Cook**, 13615 Pebble Way,
San Antonio, Tex. 78231

Primary Examiner—Alan P. Douglas
Assistant Examiner—Robert M. Spear
Attorney, Agent, or Firm—Richard C. Litman

[**] Term: **14 Years**

[57] CLAIM

[21] Appl. No.: **27,363**

The ornamental design for an easy flow can lid, as shown and described.

[22] Filed: **Aug. 19, 1994**

[52] U.S. Cl. **D9/438**

DESCRIPTION

[58] **Field of Search** D9/434-435, 437-438,
D9/440, 443, 447, 454, 502, 518, 520;
215/255; 220/253, 266, 269, 271, 273,
306; 222/541

FIG. 1 is a perspective view of an easy flow can opening showing my new design;

FIG. 2 is a top plan view thereof;

FIG. 3 is a perspective view of an alternative embodiment thereof;

FIG. 4 is a top plan view of the embodiment of FIG. 3;

FIG. 5 is a perspective view of the novel design showing the closure tab forced into the open position, and removed from sight;

FIG. 6 is a top plan view corresponding to the depiction of FIG. 5; and,

FIG. 7 is a front elevational view corresponding to the depictions of FIGS. 1, 3, or 5, with rear elevational, right side elevational, and left side elevational views being mirror images.

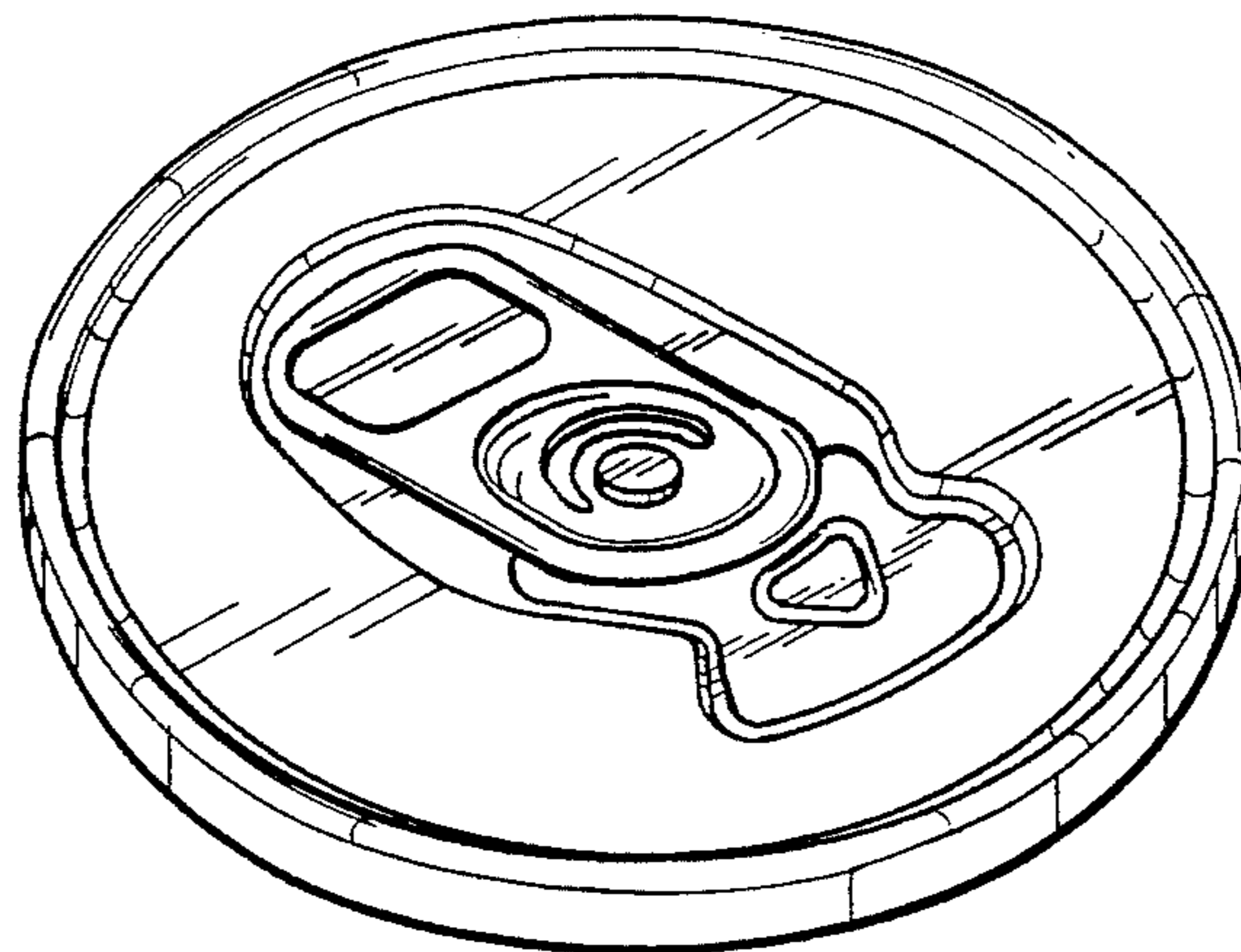
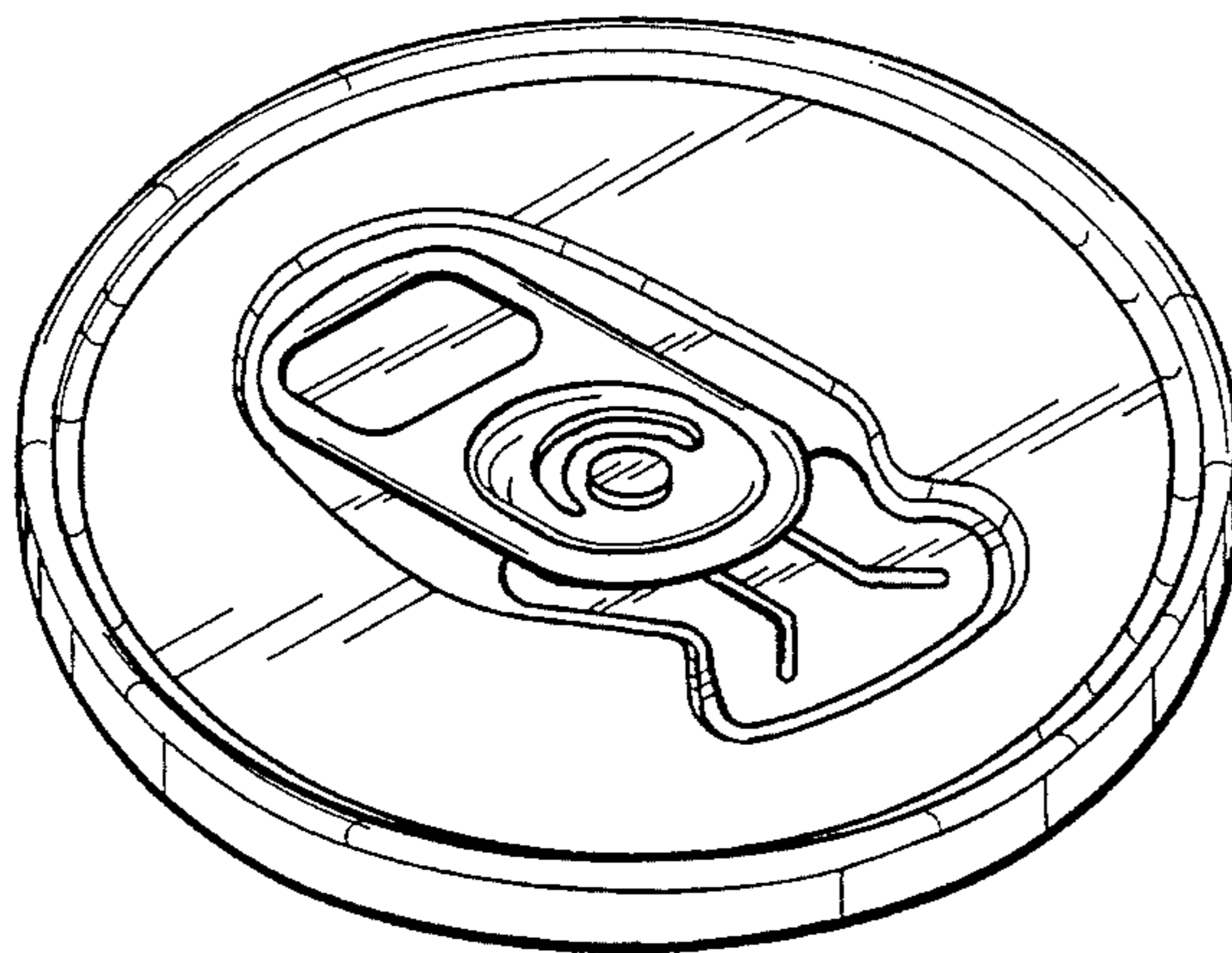
The bottom of the easy flow can lid is plain and unornamented.

[56] References Cited

U.S. PATENT DOCUMENTS

D. 209,344	11/1967	Silver	D9/438
D. 228,344	9/1973	Markert	D9/438
D. 266,991	11/1982	Hasegawa et al. .	
D. 275,373	9/1984	Brown et al.	D9/438
D. 279,265	6/1985	Turner et al. .	
D. 300,608	4/1989	Taylor et al.	D9/435
D. 308,943	7/1990	Garza	D9/434
D. 338,156	8/1993	Cook	D9/438
3,439,833	4/1969	Fraze	220/269
3,796,344	3/1974	DePhillips et al.	220/269
4,030,631	6/1977	Brown	220/269
4,148,410	4/1979	Brown .	

1 Claim, 3 Drawing Sheets



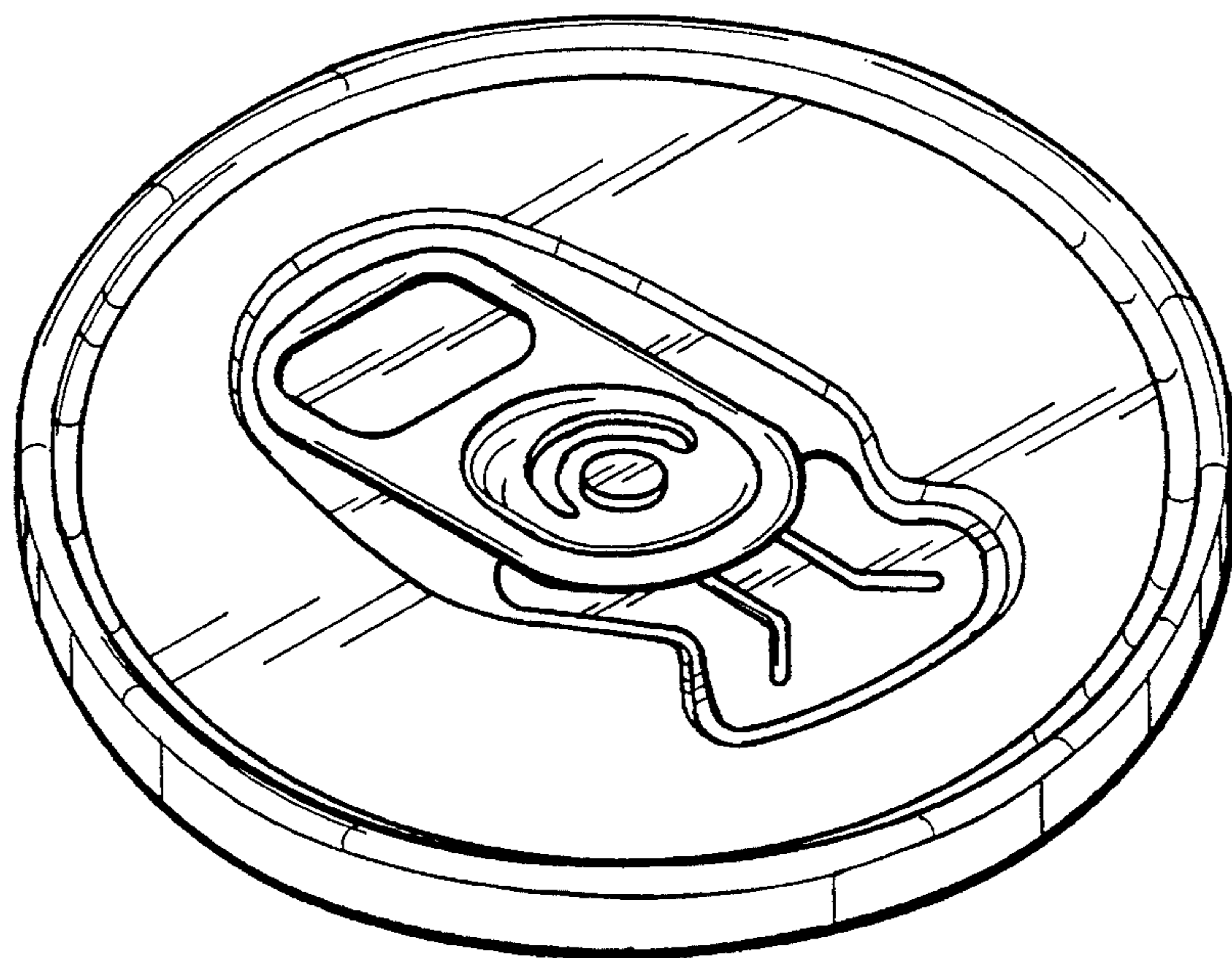


FIG. 1

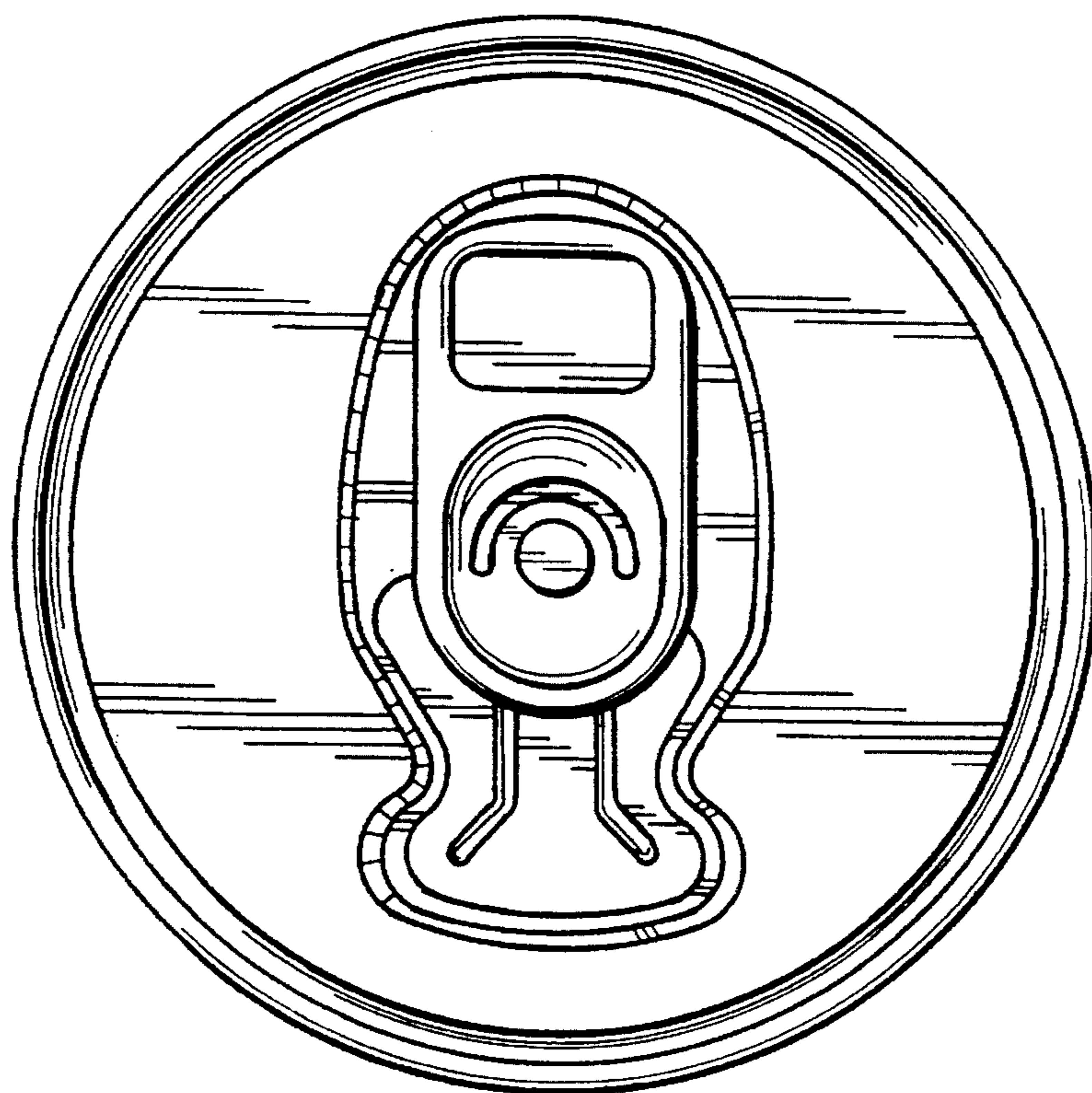


FIG. 2

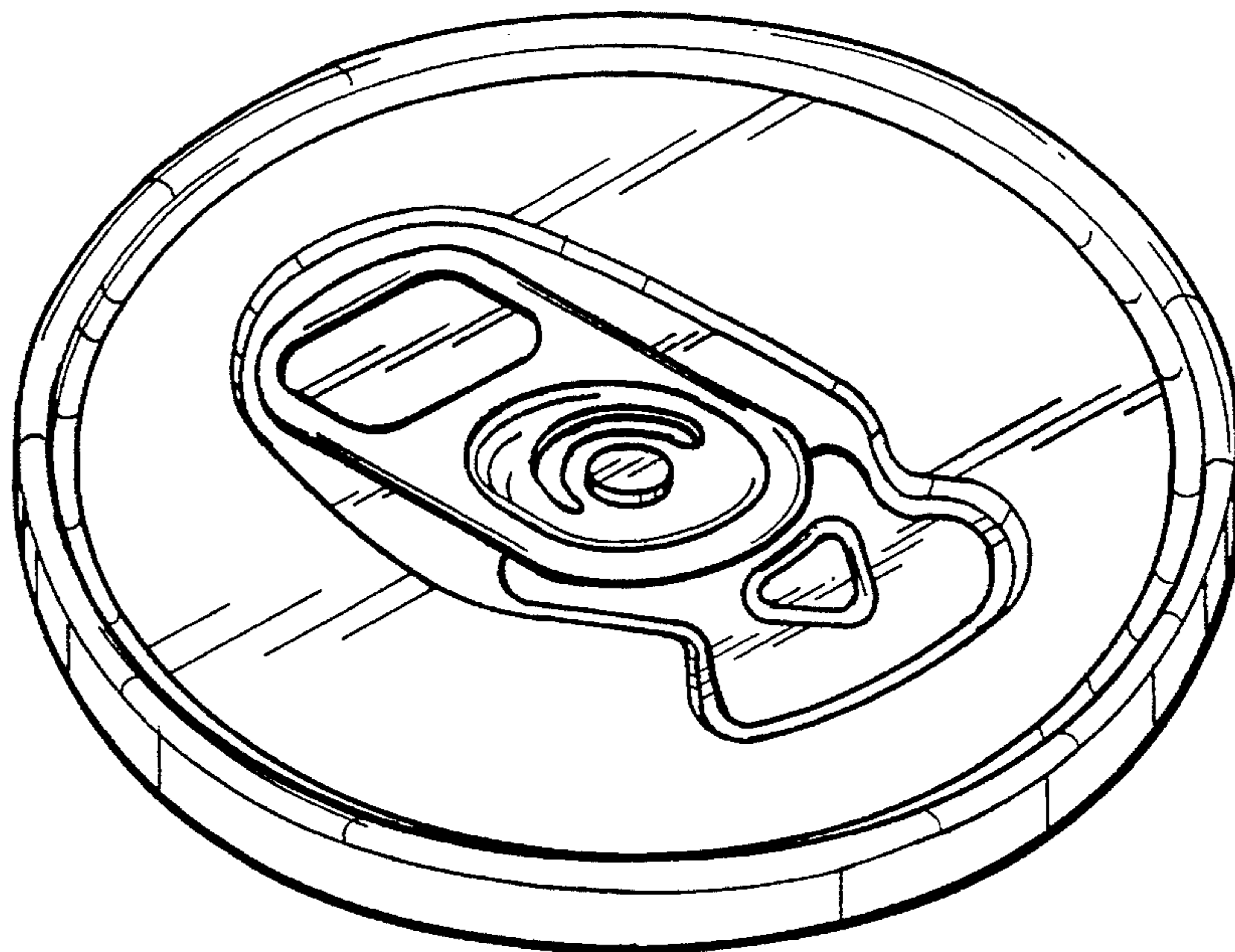


FIG. 3

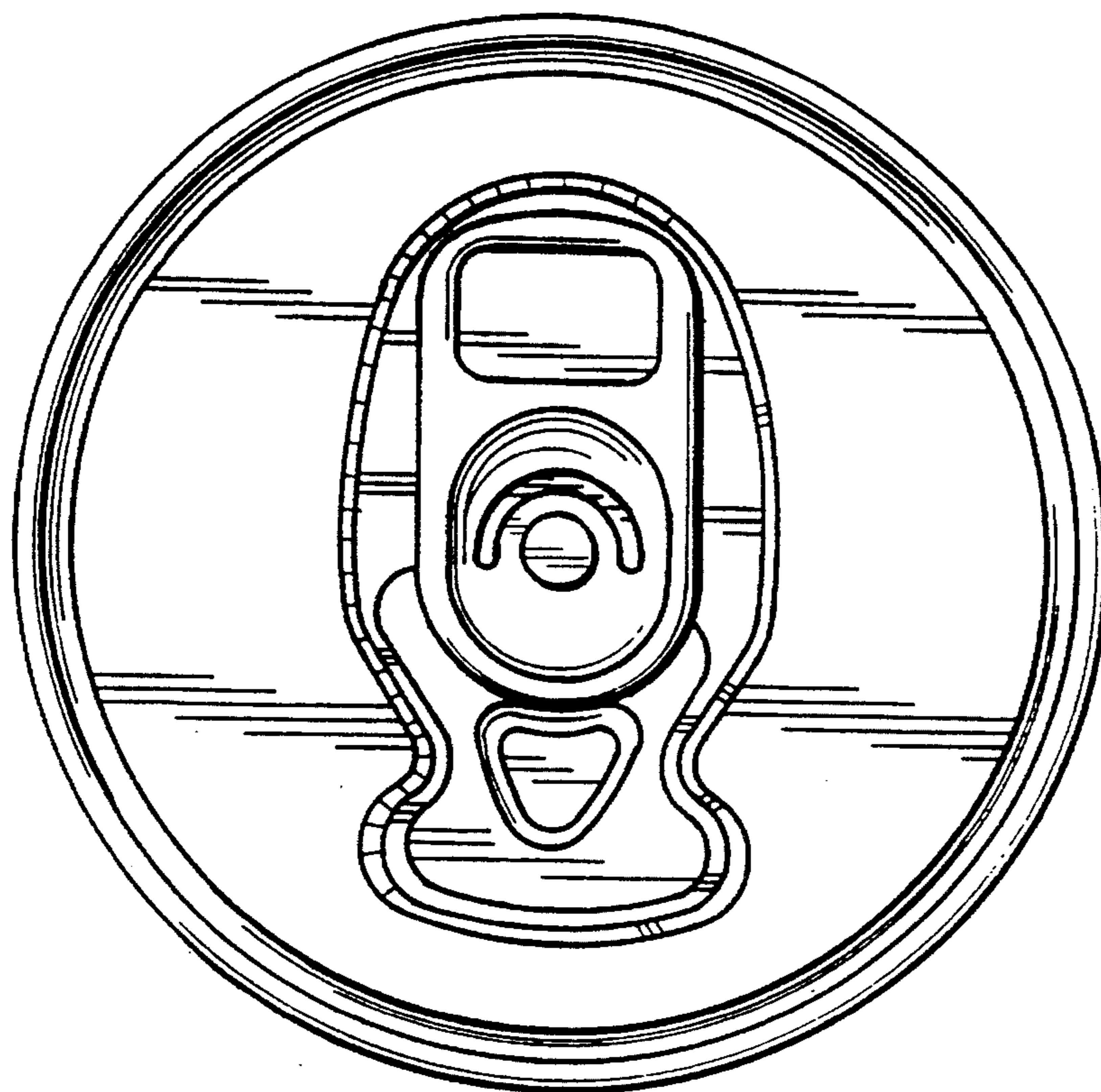


FIG. 4

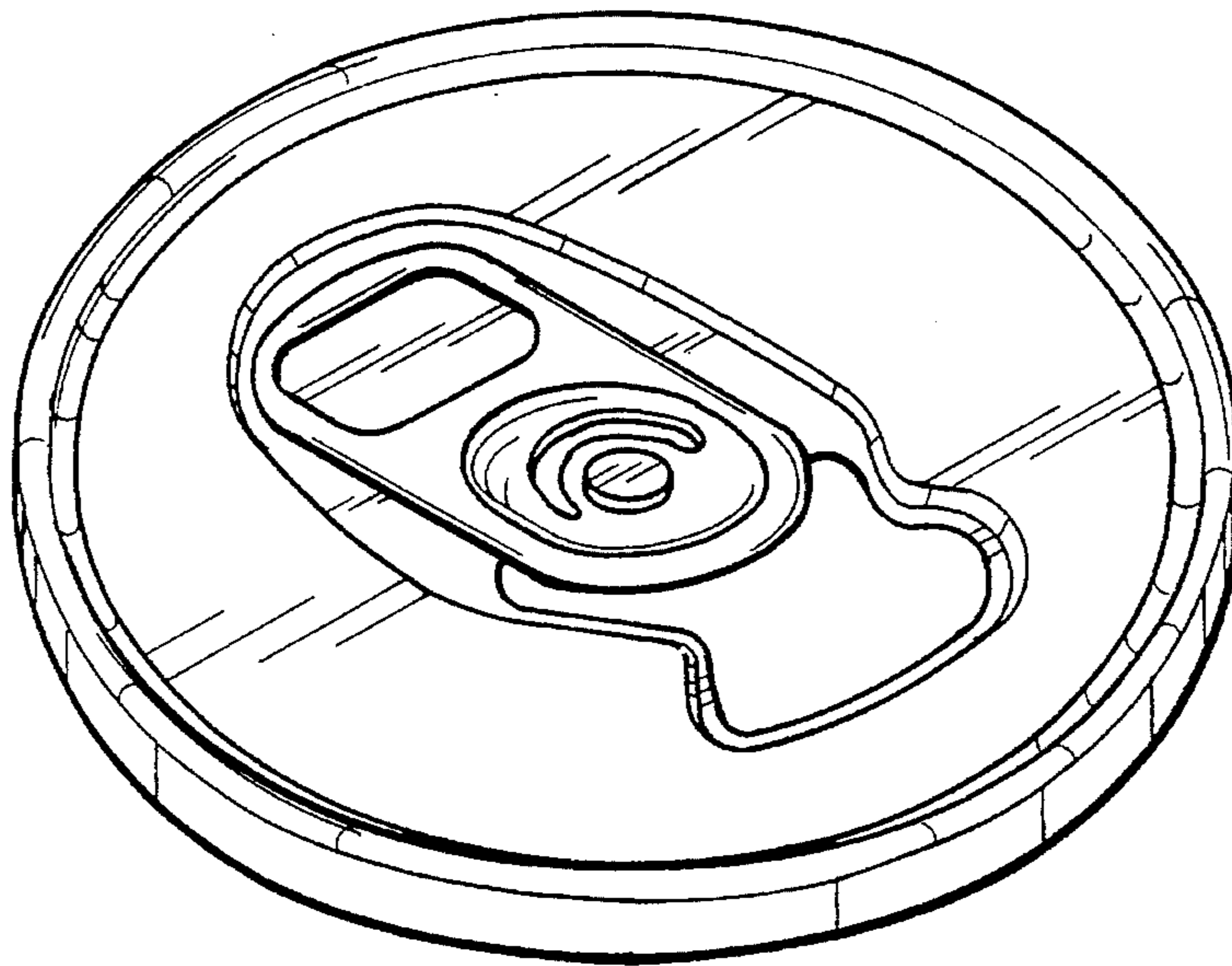


FIG. 5

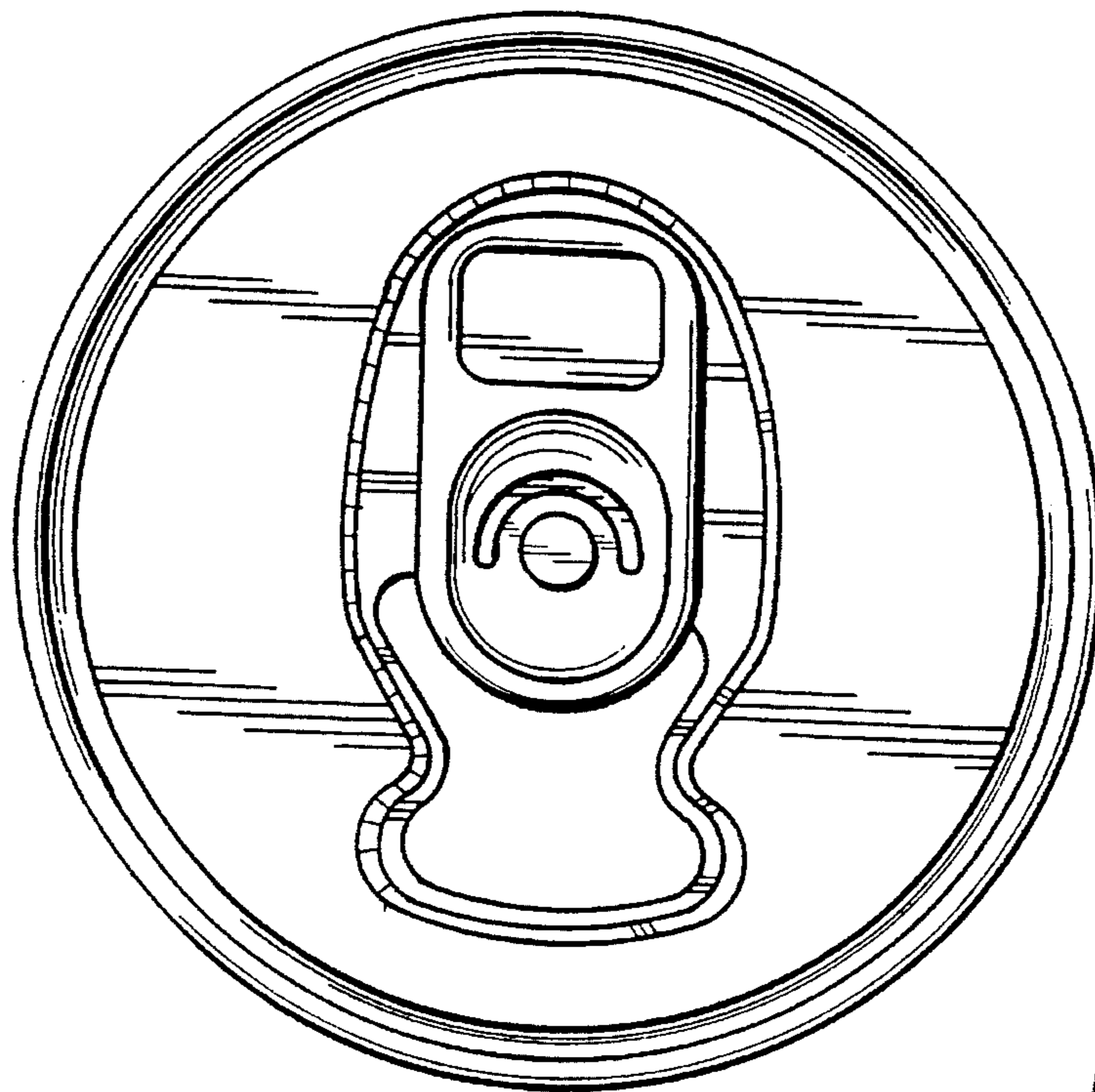


FIG. 6

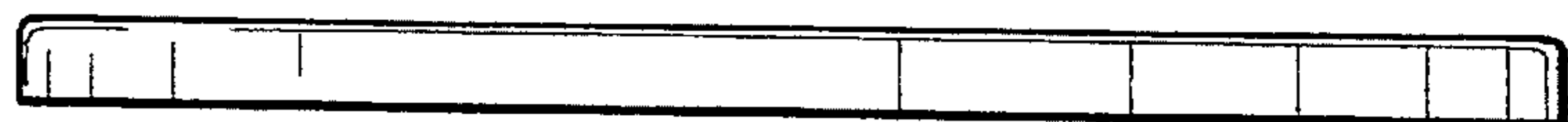


FIG. 7