



US00D365272S

United States Patent [19]

[11] Patent Number: **Des. 365,272**

Krupa et al.

[45] Date of Patent: ****Dec. 19, 1995**

[54] **CLAMSHELL CONTAINER FOR FOOD ITEMS**

4,512,474	4/1985	Harding	220/4.23	X
4,725,463	2/1988	Baumber et al.	220/339	X
4,732,273	3/1988	DeMarco	.		
4,921,096	5/1990	McFarlane	206/365	X
5,060,814	10/1991	Oglesbee	220/339	
5,090,568	2/1992	Tse	206/470	X
5,224,598	7/1993	Angeles et al.	.		

[76] Inventors: **Calvin S. Krupa**, 750 Navajo Rd., Medina, Minn. 55340; **Robert Knoss**, 19081 Hopi St., Anoka, Minn. 55303

[**] Term: **14 Years**

Primary Examiner—Prabhakar G. Deshmukh
Attorney, Agent, or Firm—Haugen and Nikolai

[21] Appl. No.: **34,458**

[57] **CLAIM**

[22] Filed: **Feb. 6, 1995**

The ornamental design for a clamshell container for food items, as shown and described.

[52] U.S. Cl. **D9/425**; D9/420

[58] Field of Search D9/424, 425, 420, D9/423, 414, 337; D7/601, 602, 629; 220/4.23, 339, 324, 337, 4.24; 206/470, 471, 365, 216, 551, 423

DESCRIPTION

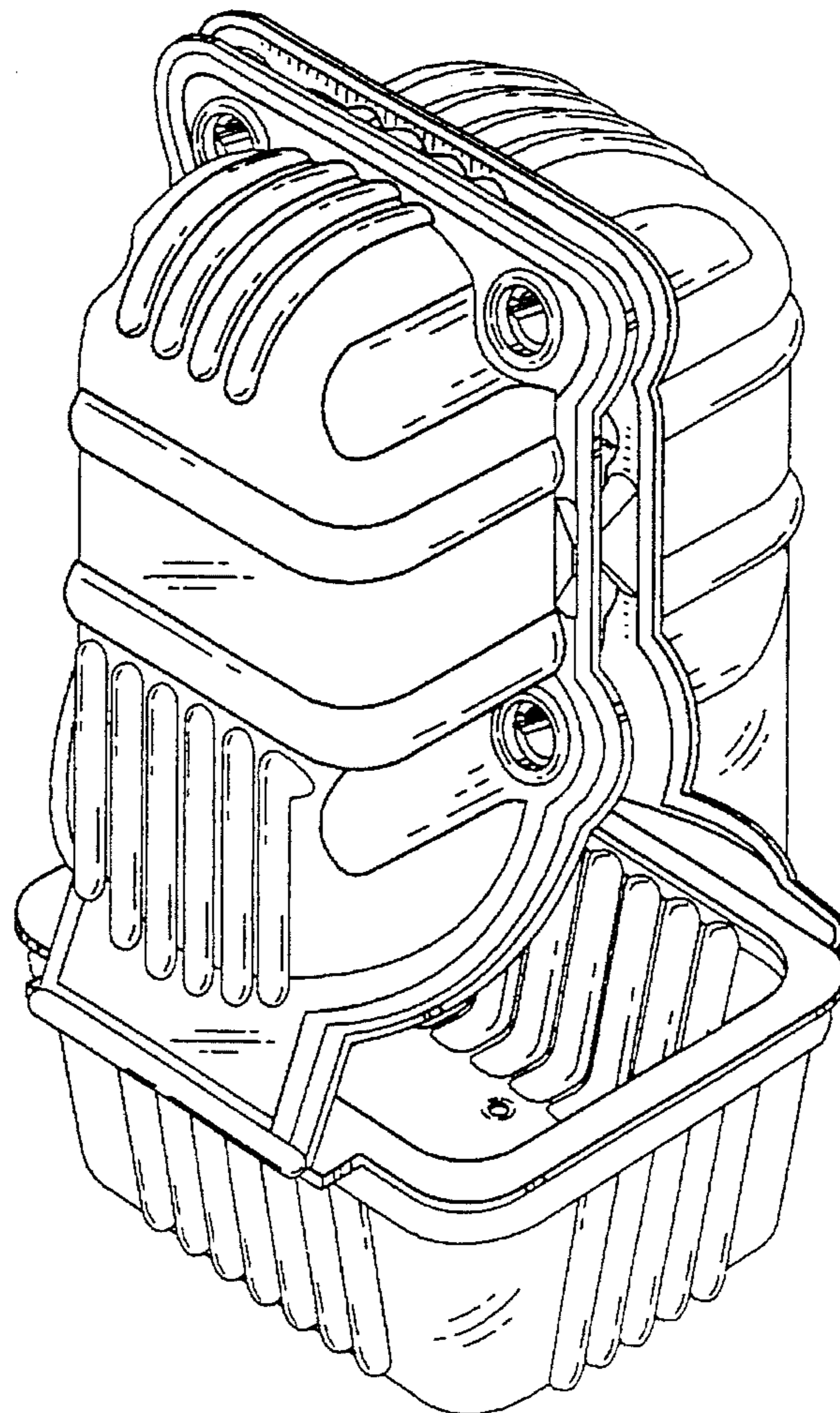
[56] **References Cited**

U.S. PATENT DOCUMENTS

D. 303,763	10/1989	De Marco	D9/415
D. 320,934	10/1991	Cross et al.	D9/415
2,116,041	5/1938	Regan	206/423 X
3,317,076	5/1967	Enders	220/324 X
3,704,545	12/1972	Van Reisen	.	

FIG. 1 is a perspective view of a clamshell package for food items showing our new design; FIG. 2 is a right side elevational view thereof; the left side elevational being a mirror image thereof; FIG. 3 is a front elevational view thereof; FIG. 4 is a rear elevational view thereof; FIG. 5 is a bottom plan view thereof; and, FIG. 6 is a top plan view thereof.

1 Claim, 3 Drawing Sheets



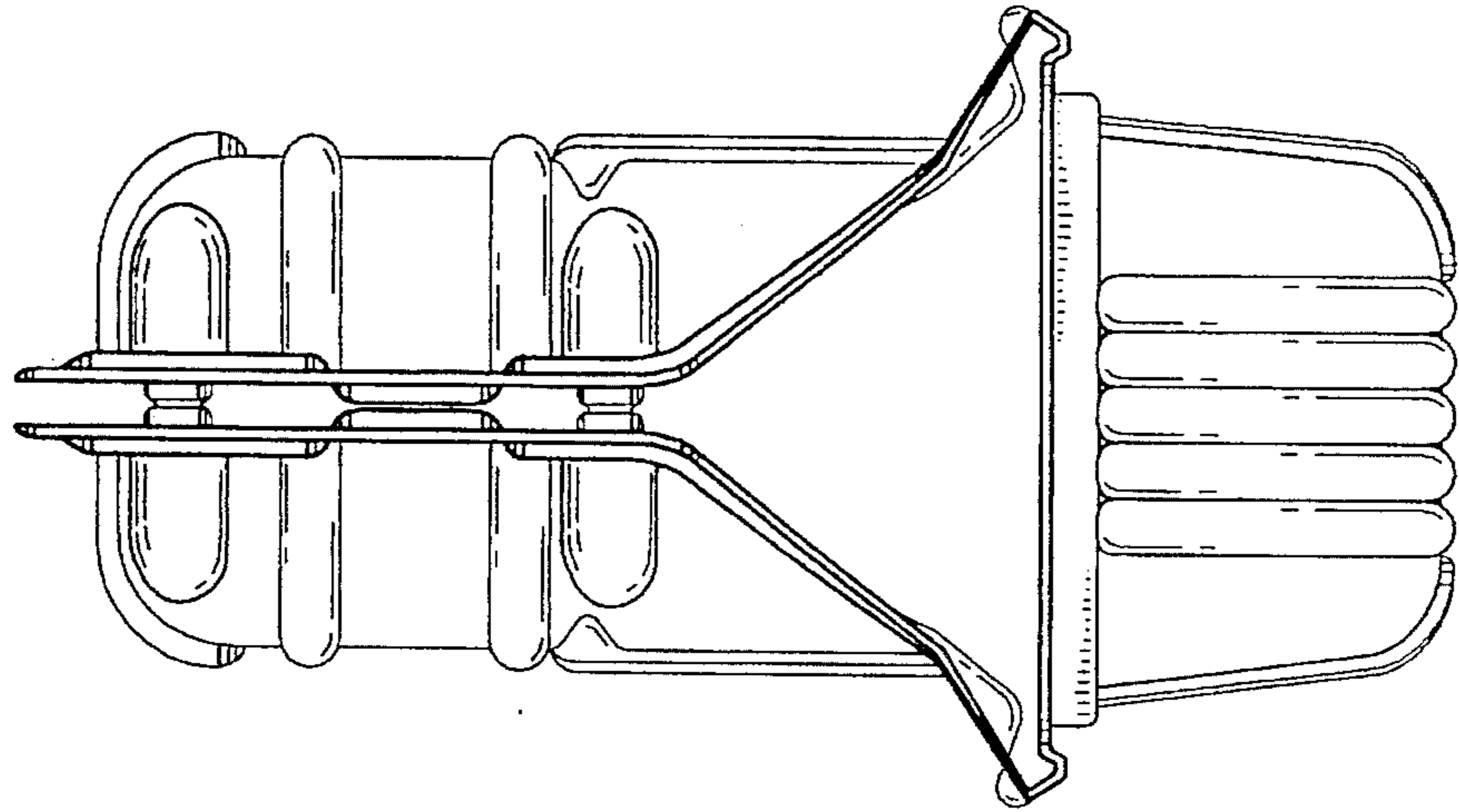


Fig. 2

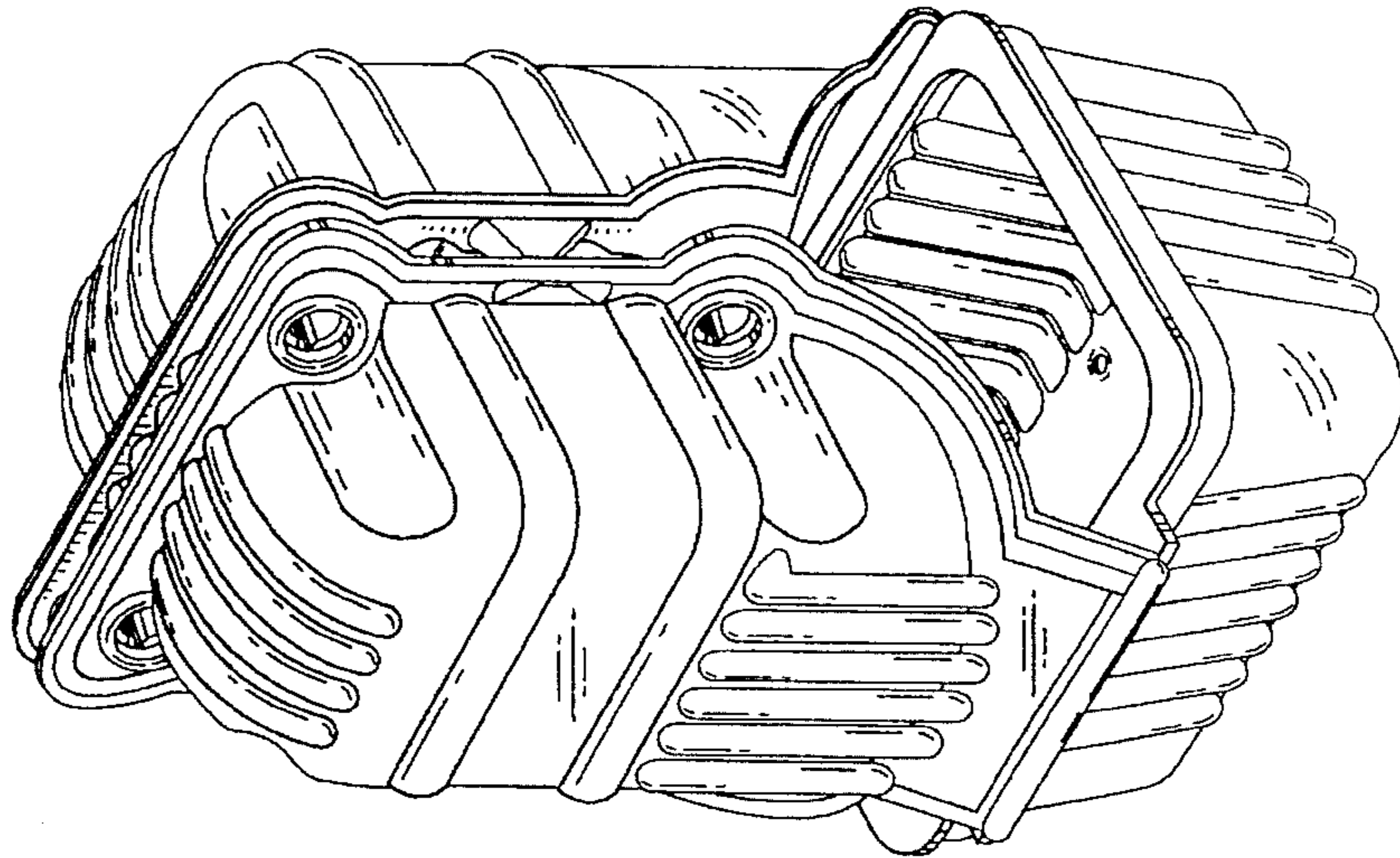


Fig. 1

Fig.4

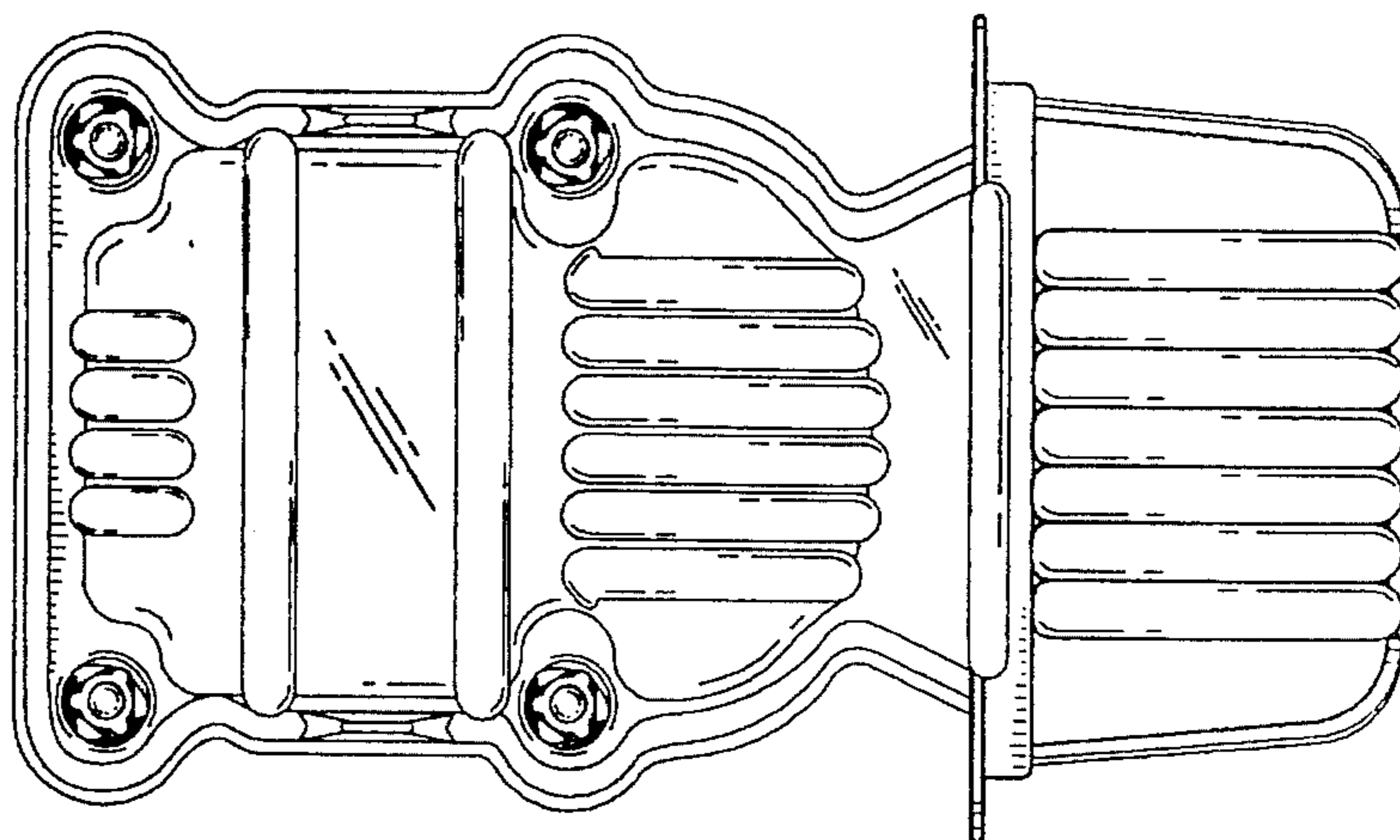
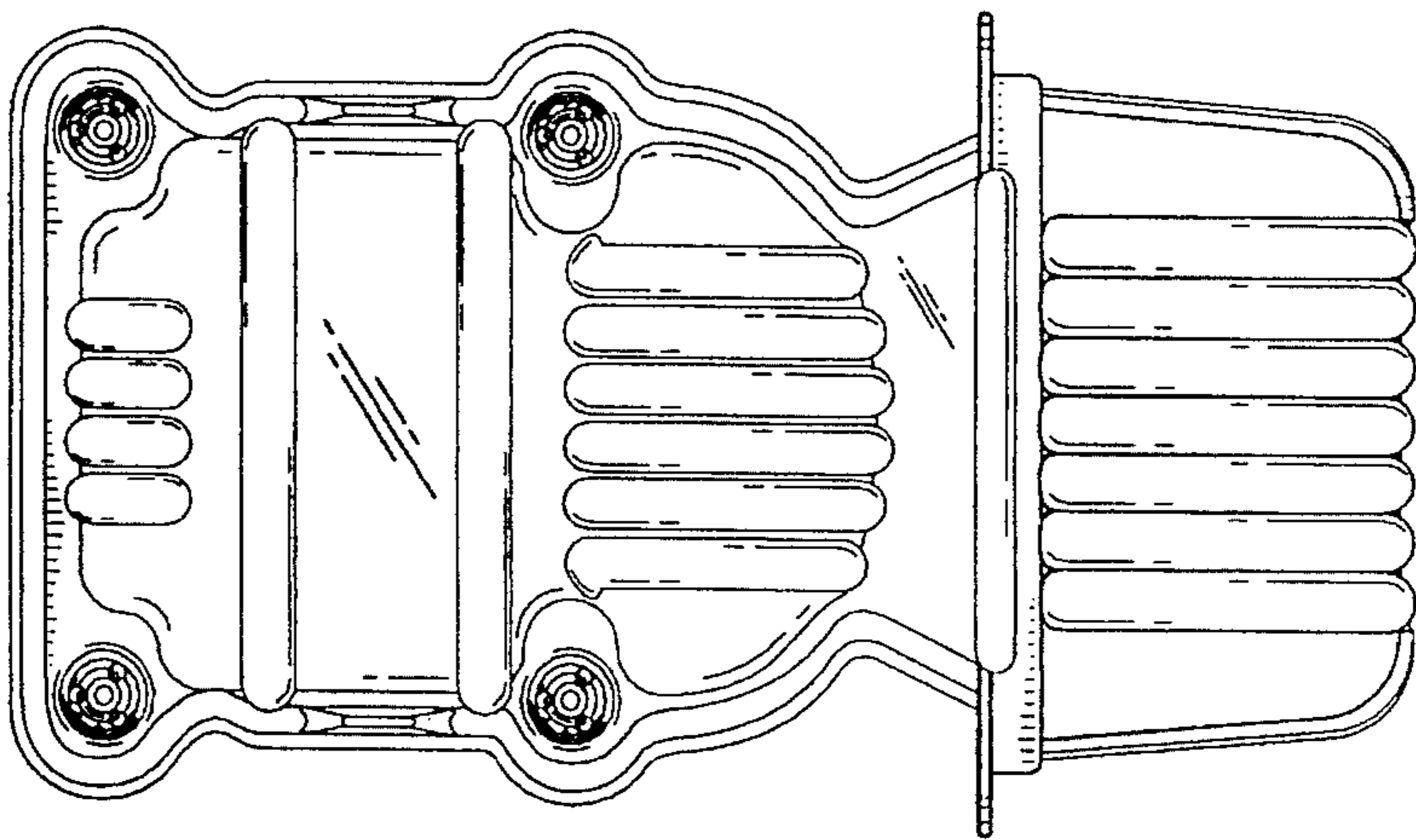


Fig.3



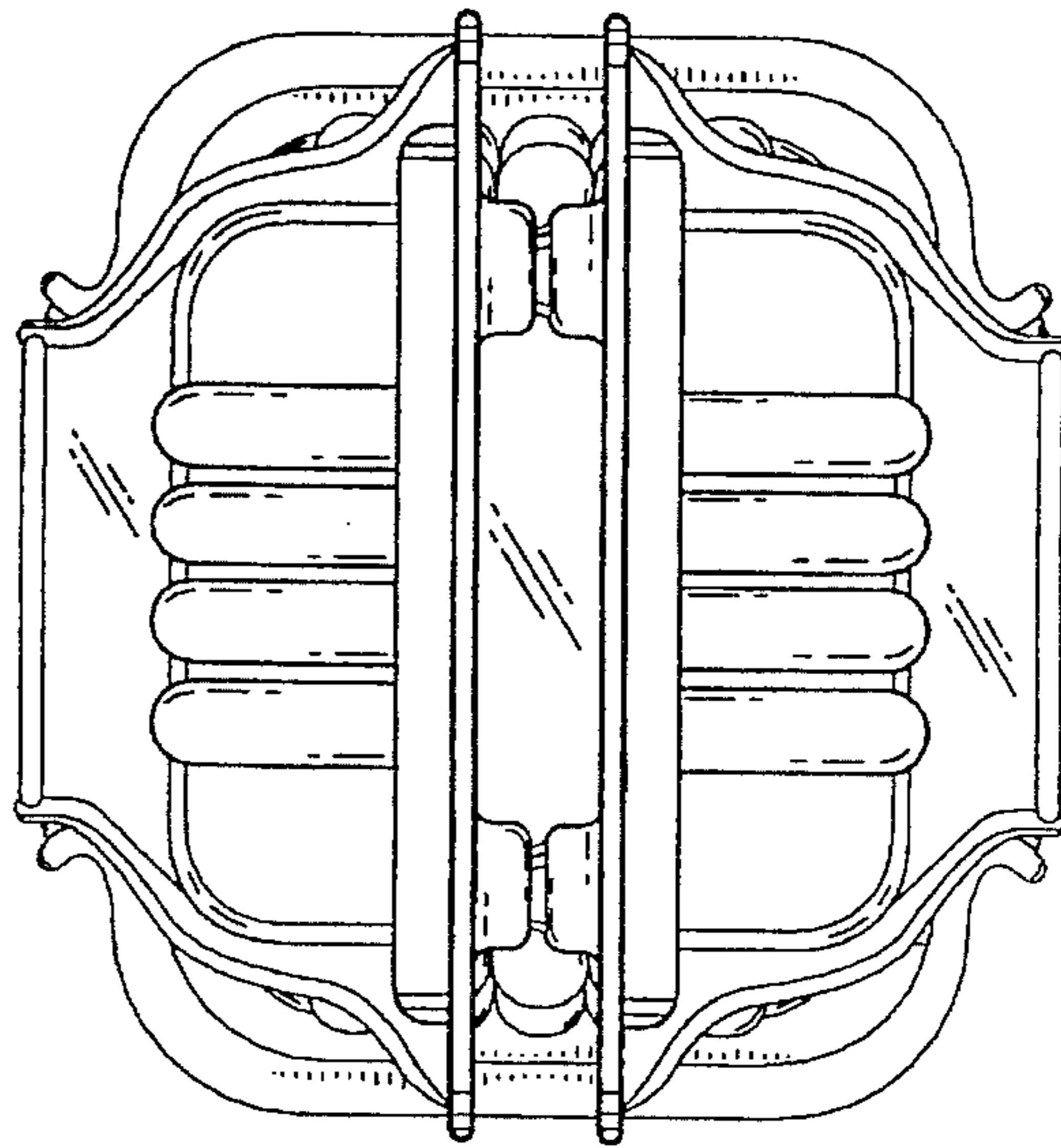


Fig. 6

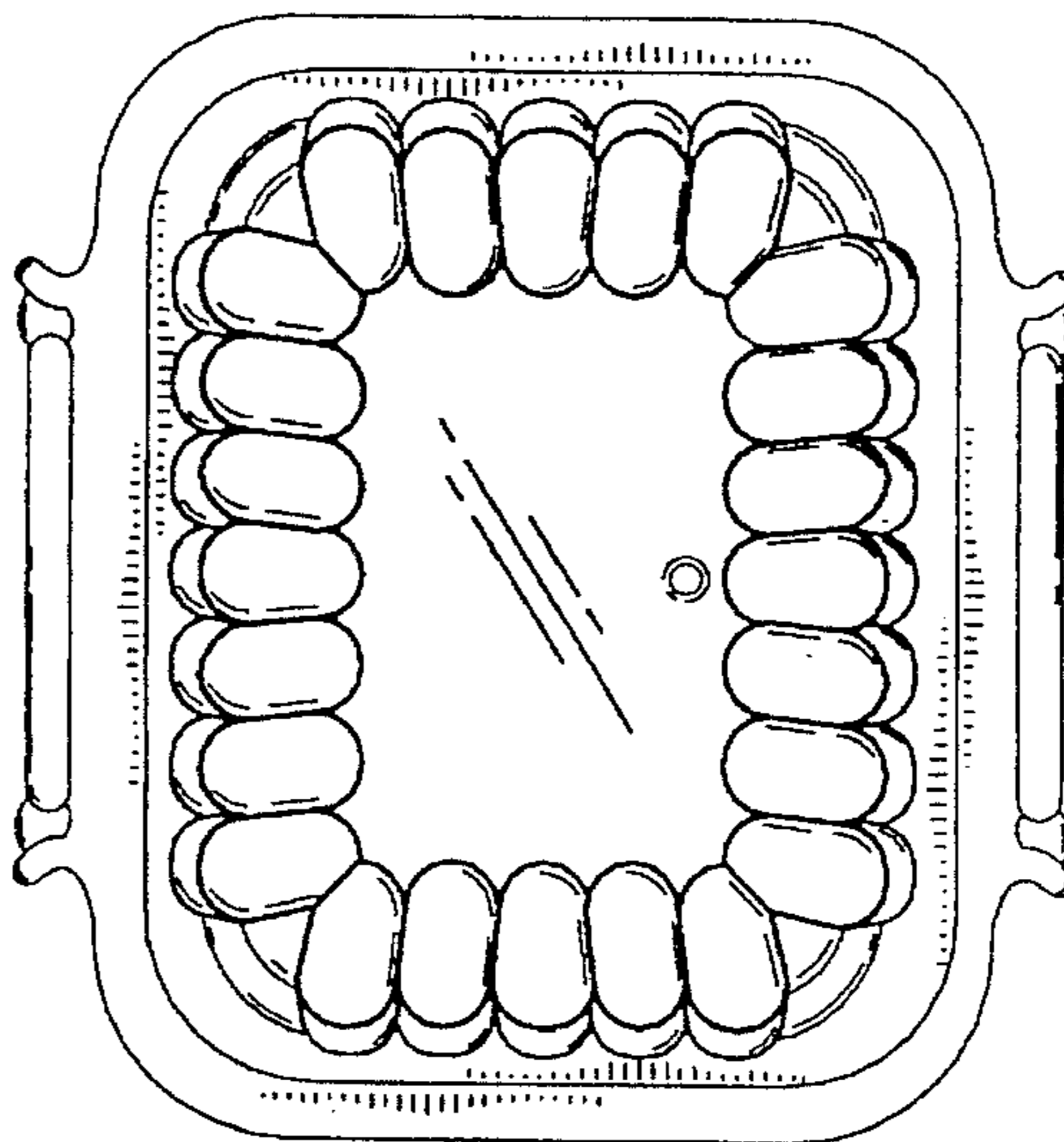


Fig. 5