



US00D365269S

United States Patent [19]

[11] Patent Number: **Des. 365,269**

Valles

[45] Date of Patent: ****Dec. 19, 1995**

[54] ANTI-THEFT DEVICE FOR ATTACHMENT BETWEEN AN AUTOMOBILE STEERING WHEEL AND BRAKE PEDAL

[76] Inventor: **Laurent C. Valles**, 203 Park Pl., Oldsmar, Fla. 34677-3301

[**] Term: **14 Years**

[21] Appl. No.: **28,103**

[22] Filed: **Sep. 7, 1994**

[52] U.S. Cl. **D8/331**

[58] Field of Search D8/330-331, 339, D8/341; 70/57, 207, 209, 211, 228, 224, 237-238, 252; 292/289

[56] **References Cited**

U.S. PATENT DOCUMENTS

D. 296,660	7/1988	Preddy	D8/331
D. 306,253	2/1990	Solow	D8/331
D. 330,841	11/1992	Shen	D8/331
D. 347,158	5/1994	Shen	D8/331 X
4,747,279	5/1988	Solow	70/211 X
4,825,671	5/1989	Wu	.	
4,835,999	6/1989	Chant	.	
4,961,331	10/1990	Winner	.	

OTHER PUBLICATIONS

Museum of Modern Art Christmas Catalogue (1987) p. 30. Pamphlet: Three-Dimensional Mobile Stick Lock ©1987.

Primary Examiner—Brian N. Vinson
Attorney, Agent, or Firm—Harpman & Harpman

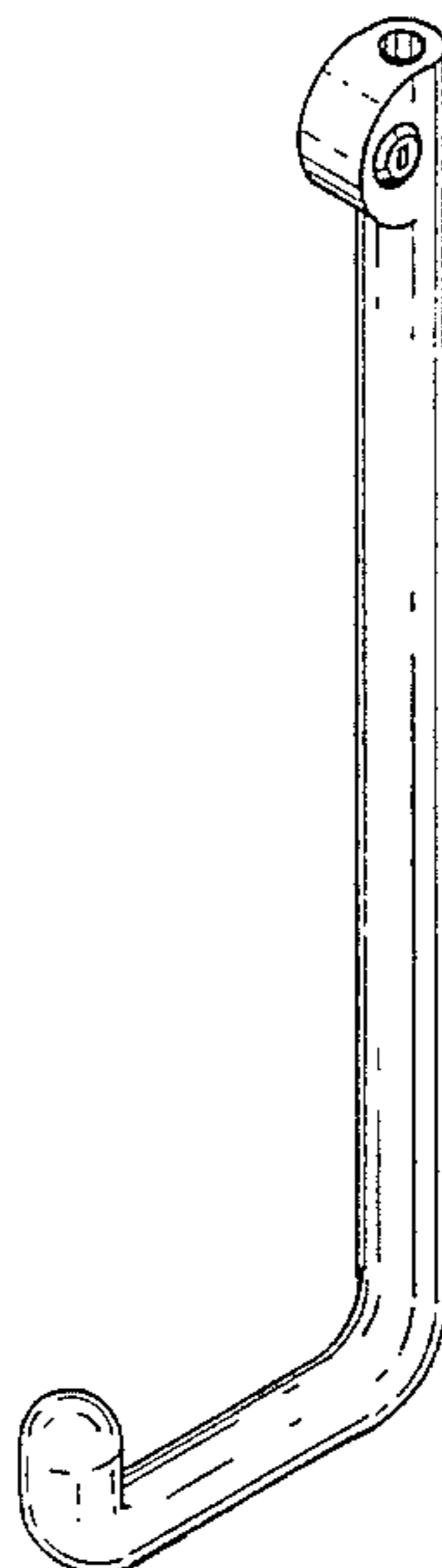
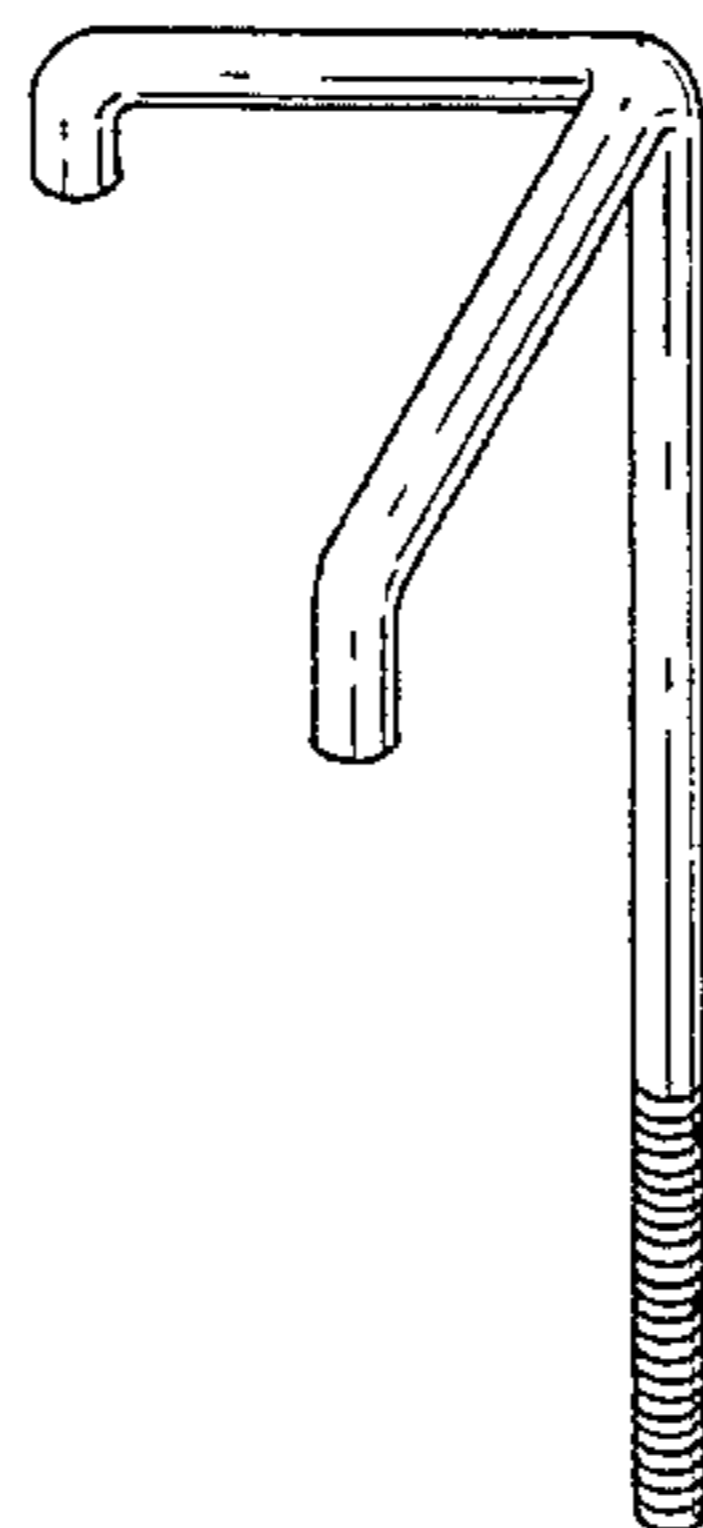
[57] **CLAIM**

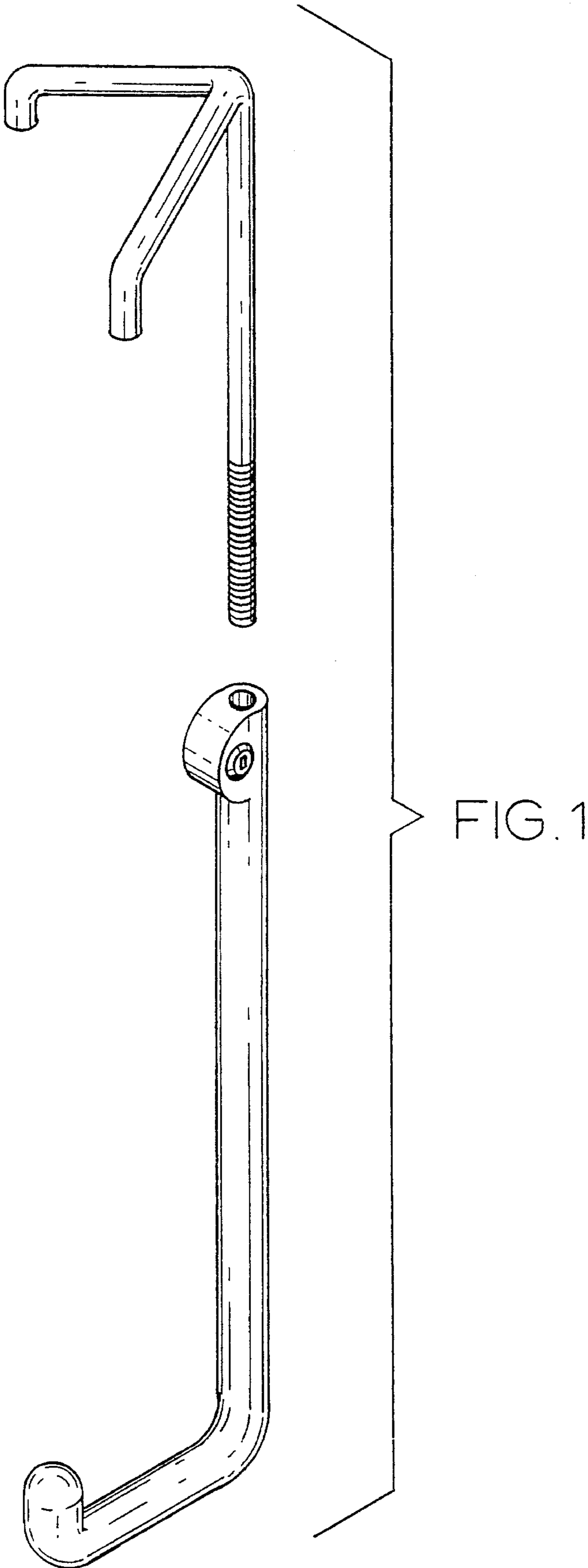
The ornamental design for an anti-theft device for attachment between an automobile steering wheel and brake pedal, as shown and described.

DESCRIPTION

FIG. 1 is a top, front, and left side exploded perspective view of an anti-theft device for attachment to an automobile steering wheel and brake pedal showing my new design; FIG. 2 is a front elevational view thereof, the rear being a mirror image of that shown; FIG. 3 is a left side elevational view thereof; FIG. 4 is a right side elevational view thereof; FIG. 5 is a top plan view thereof; and, FIG. 6 is a bottom plan view thereof.

1 Claim, 3 Drawing Sheets





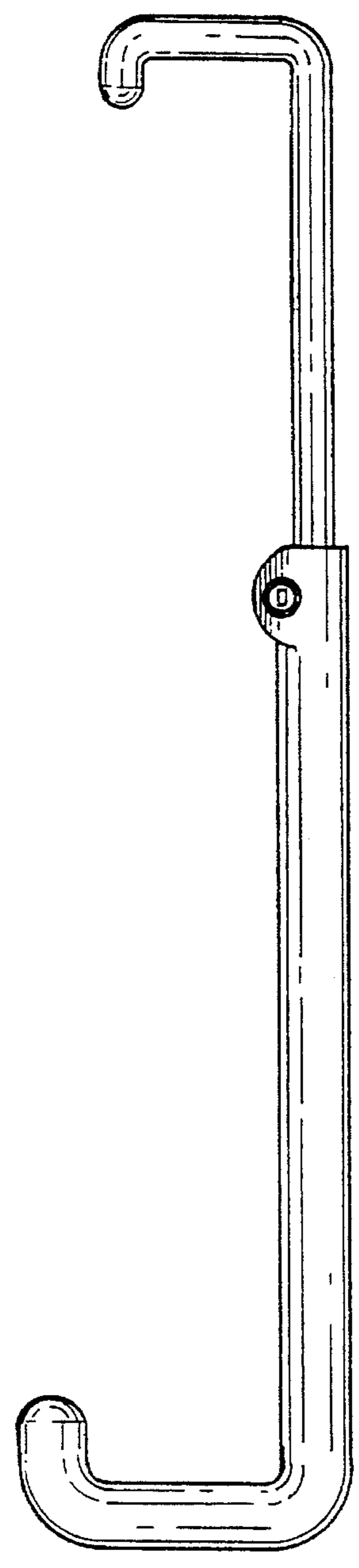


FIG. 2

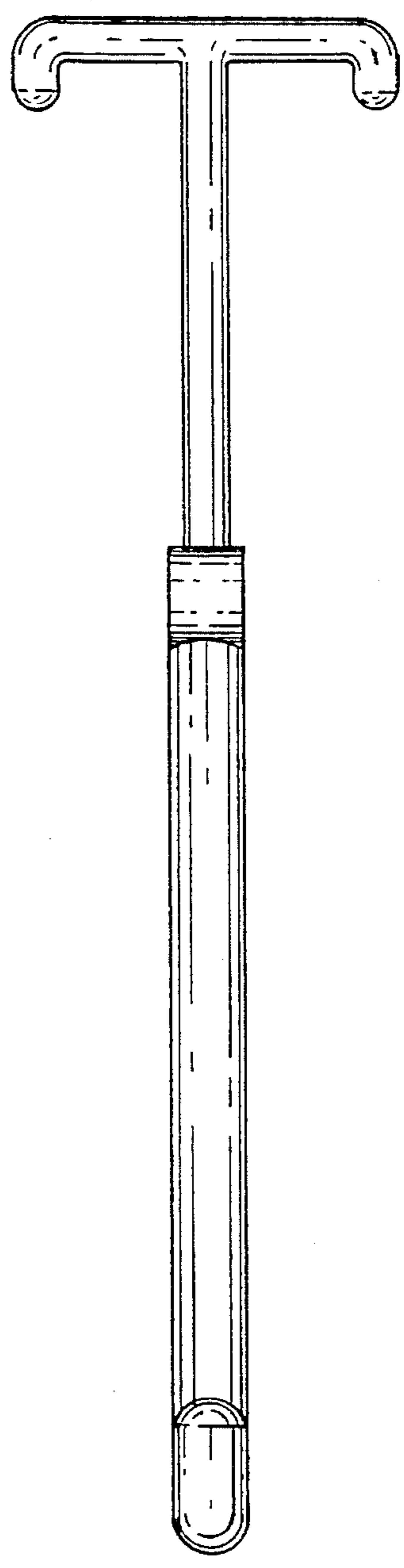


FIG. 3

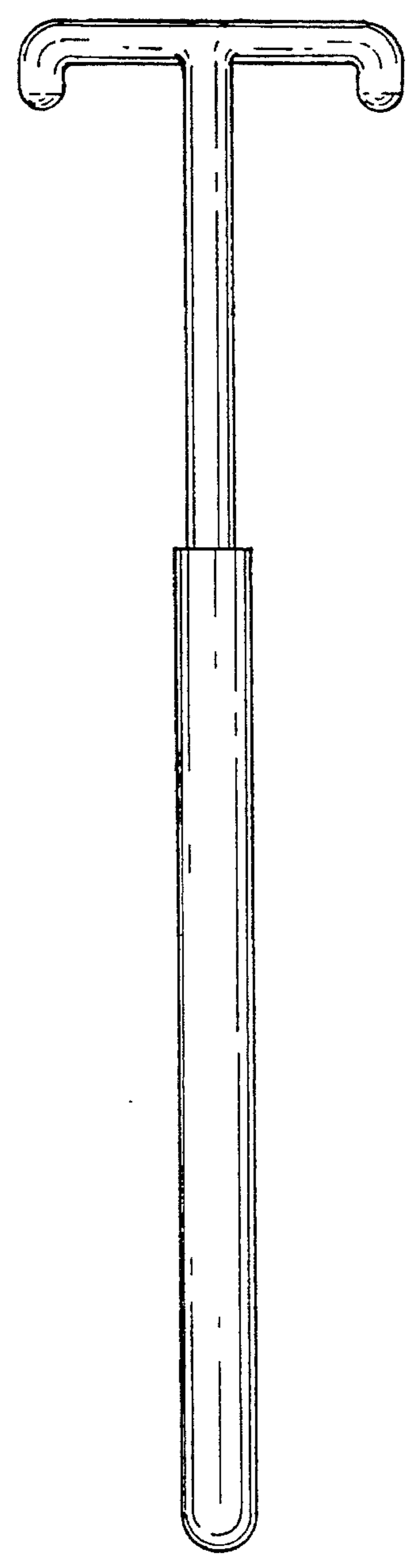


FIG. 4

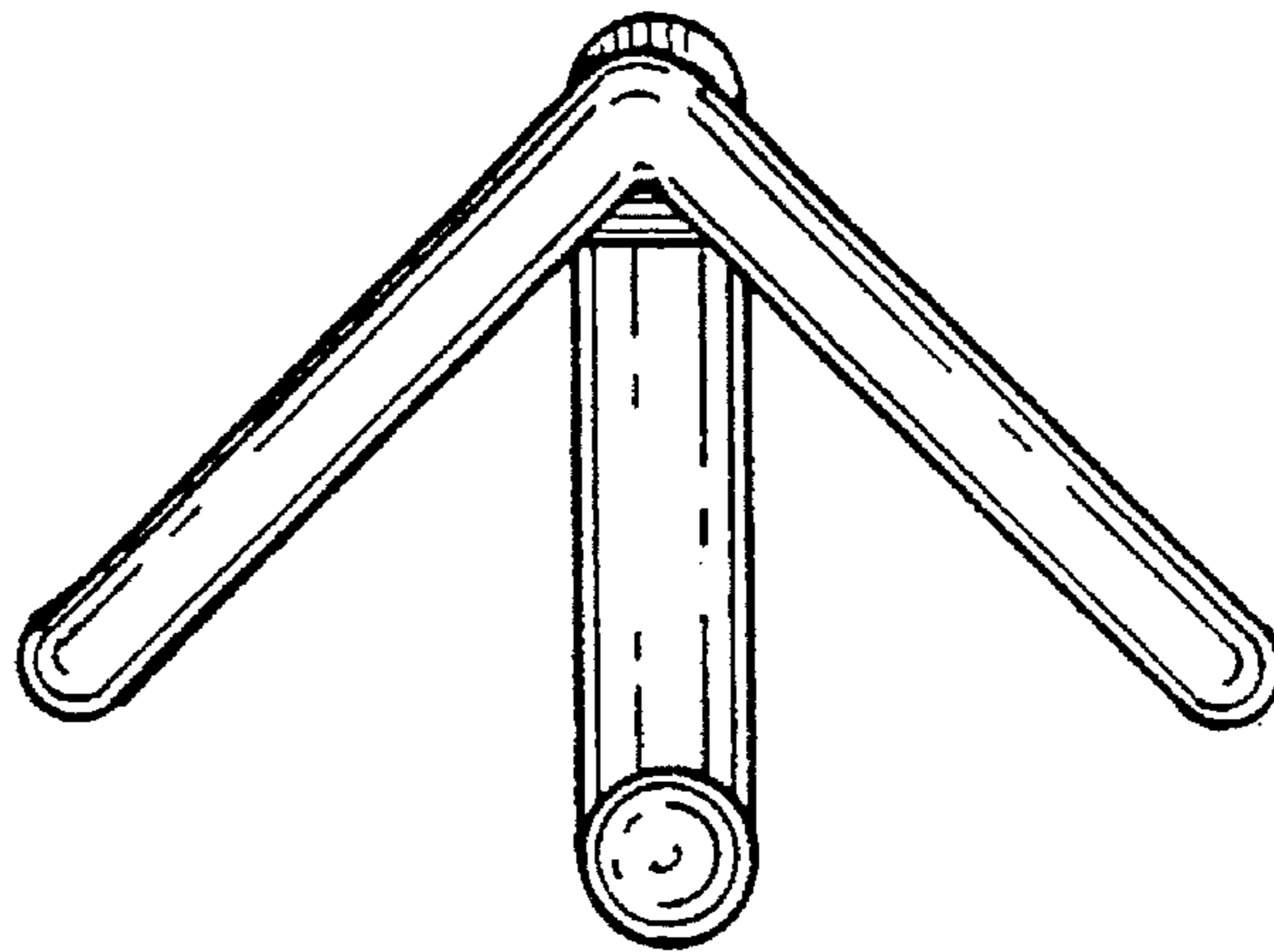


FIG. 5

FIG. 6

