



US00D365268S

United States Patent [19]

[11] Patent Number: Des. 365,268

Wostyn

[45] Date of Patent: **Dec. 19, 1995

[54] TWO-PIECE GATE BOLTING ASSEMBLY

[75] Inventor: Steven Wostyn, Otegem, Belgium

[73] Assignee: N.V. Bekaert S.A., Zwevegem, Belgium

[**] Term: 14 Years

[21] Appl. No.: 24,275

[22] Filed: Apr. 20, 1994

[30] Foreign Application Priority Data

Nov. 5, 1993 [BE] Belgium 69212-00

[52] U.S. Cl. D8/331; D8/339

[58] Field of Search D8/330-331, 336, D8/338, 339, 341, 344, 345; 292/213, 216, 189, DIG. 12, DIG. 29, DIG. 55, 195; 70/55, 56

[56] References Cited

U.S. PATENT DOCUMENTS

D. 292,369	10/1987	Greco	D8/331
D. 317,247	6/1991	Wells	D8/336
D. 339,053	9/1993	Fredricksen	D8/331
1,194,786	8/1916	Ross	292/216 X

Primary Examiner—Brian N. Vinson
Attorney, Agent, or Firm—Shlesinger, Arkwright & Garvey

[57] CLAIM

The ornamental design for a two-piece gate bolting assembly, as shown and described.

DESCRIPTION

FIG. 1 is a top, front, and left side perspective view of a two-piece gate bolting assembly showing my new design; FIG. 2 is an explode top, front, and left side perspective view thereof, showing the bolt portions separated when the gate is open;

FIG. 3 is a reduced front elevational view thereof, the rear being a mirror image of that shown;

FIG. 4 is an enlarged left side elevational view of one of the two portions thereof;

FIG. 5 is an enlarged rear elevational view of one of the two portions thereof;

FIG. 6 is an enlarged front elevational view of one of the two portions thereof;

FIG. 7 is an enlarged right side elevational view of one of the two portions thereof;

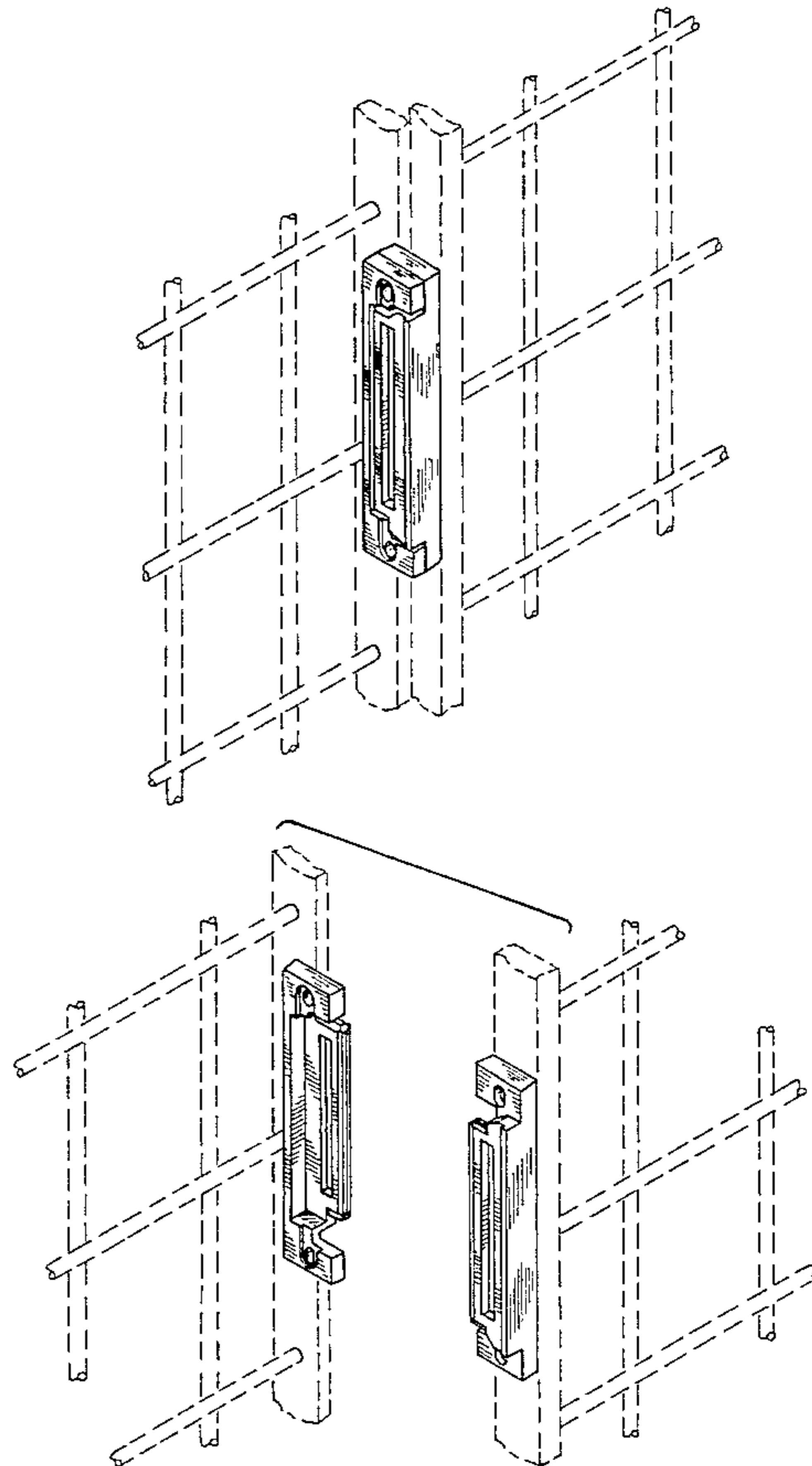
FIG. 8 is an enlarged bottom plan view of one of the two portions thereof; and,

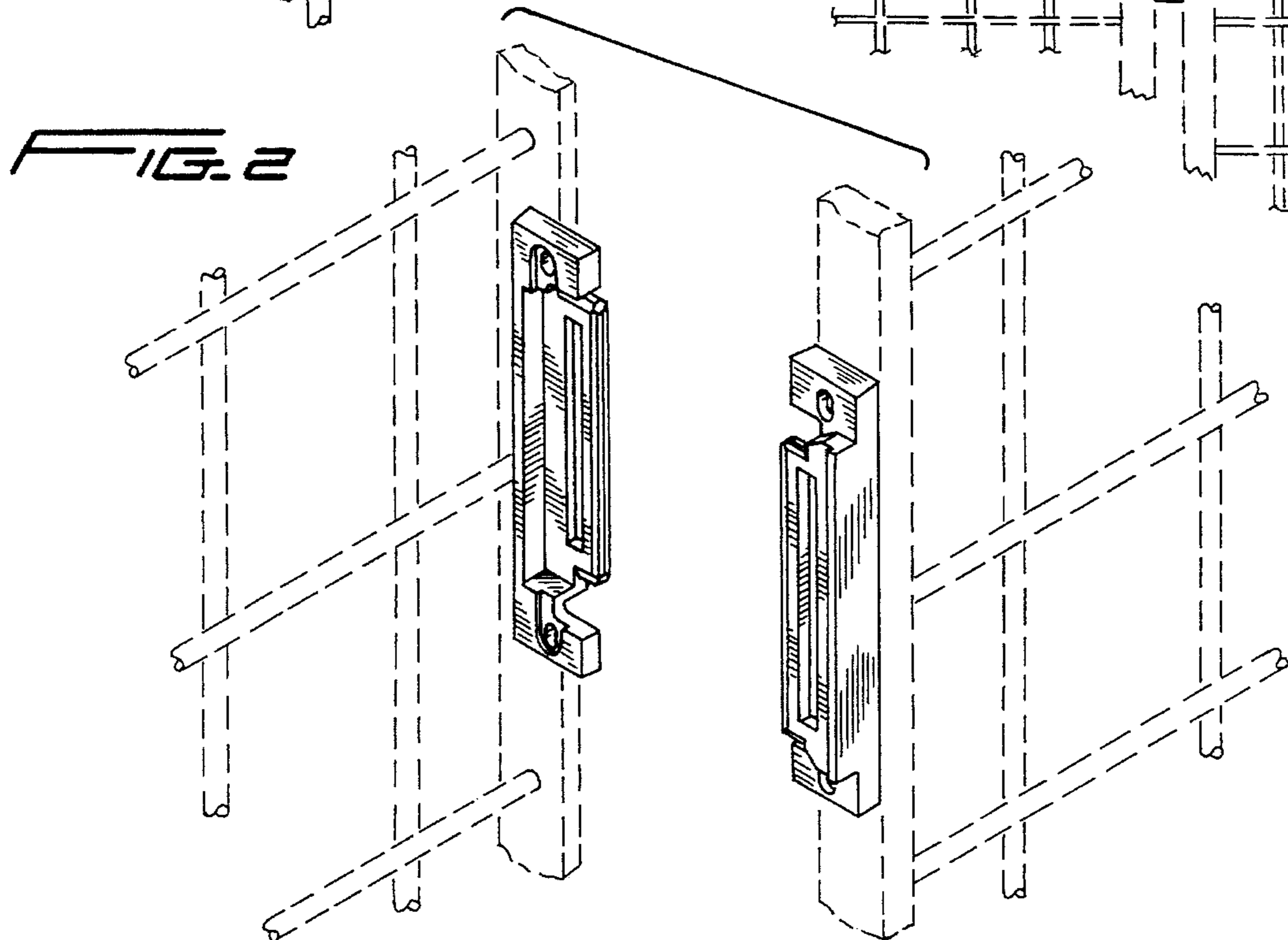
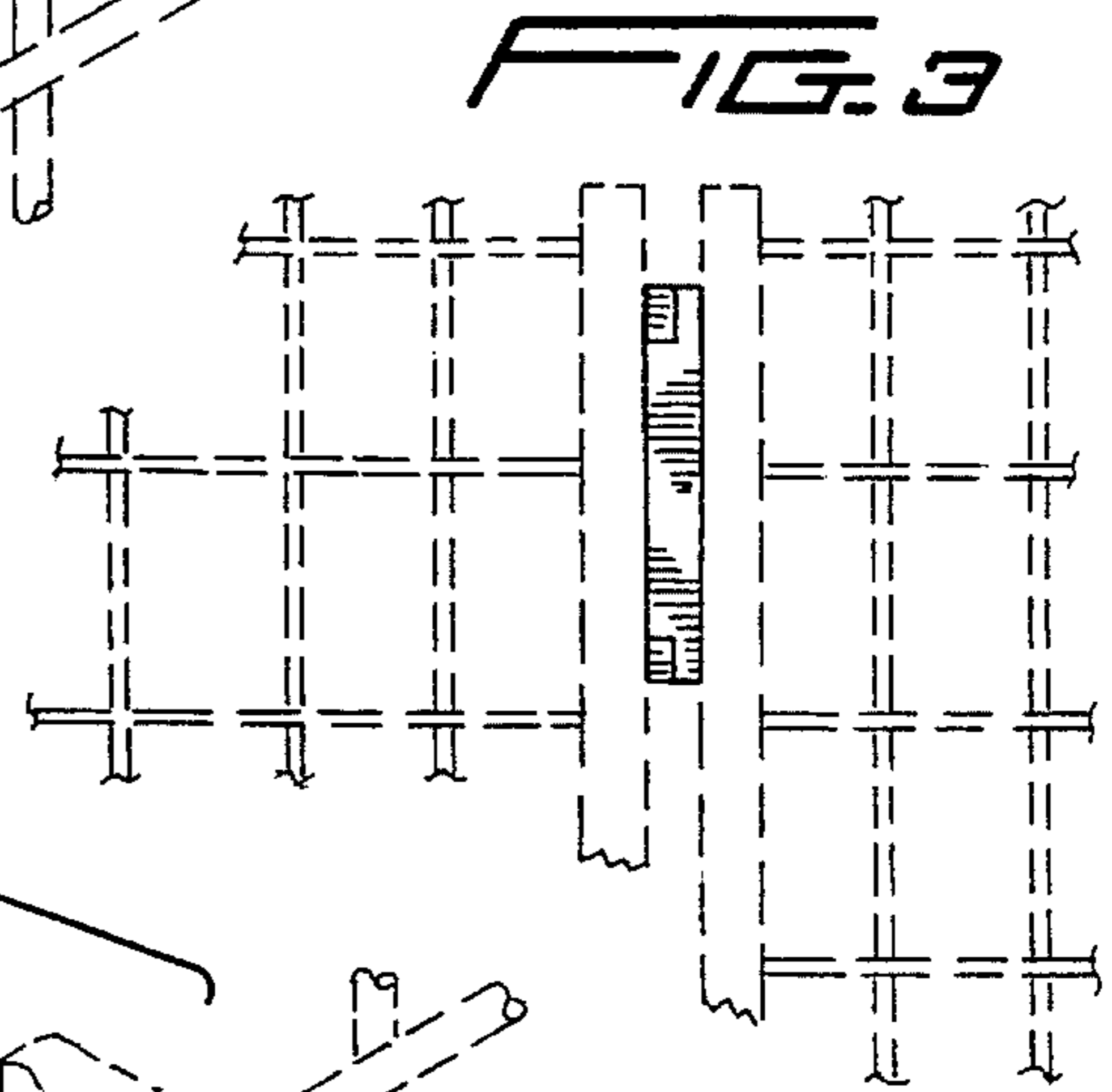
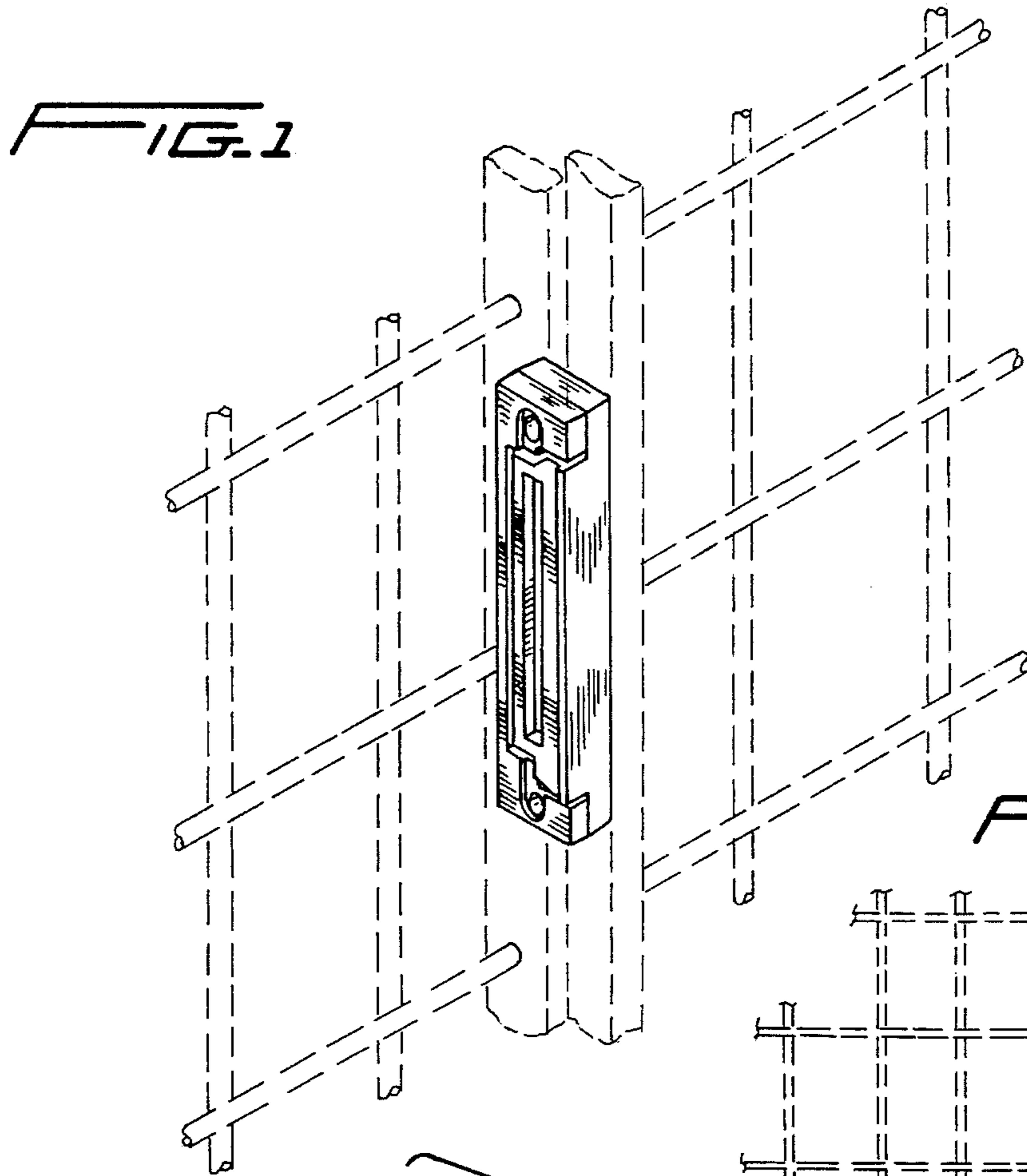
FIG. 9 is an enlarged top plan view of one of the two portions thereof.

The broken-line disclosure of portions of a gate in the views is for illustrative purposes only and forms no part of the claimed design.

The phantom lines shown in FIGS. 1, 2 and 3 are for illustration purposes only to show the environmental structure of a gate and form no part of the claimed design.

1 Claim, 2 Drawing Sheets





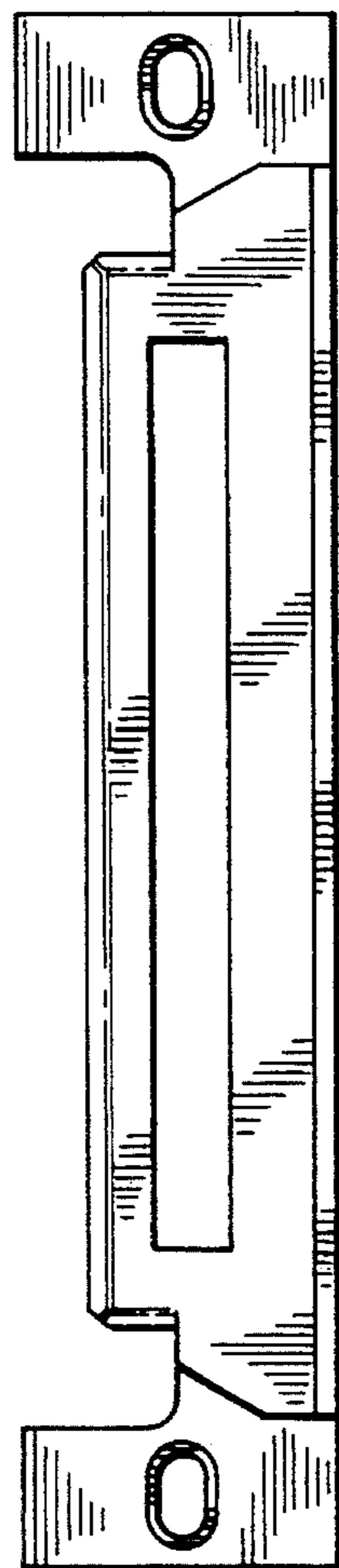


FIG. 4

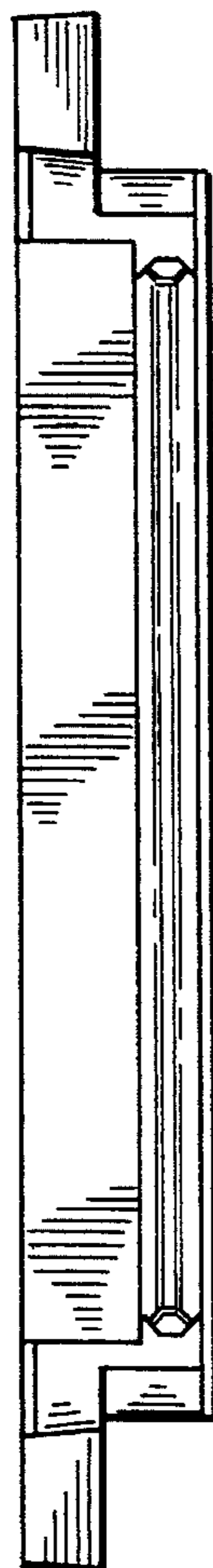


FIG. 5



FIG. 6

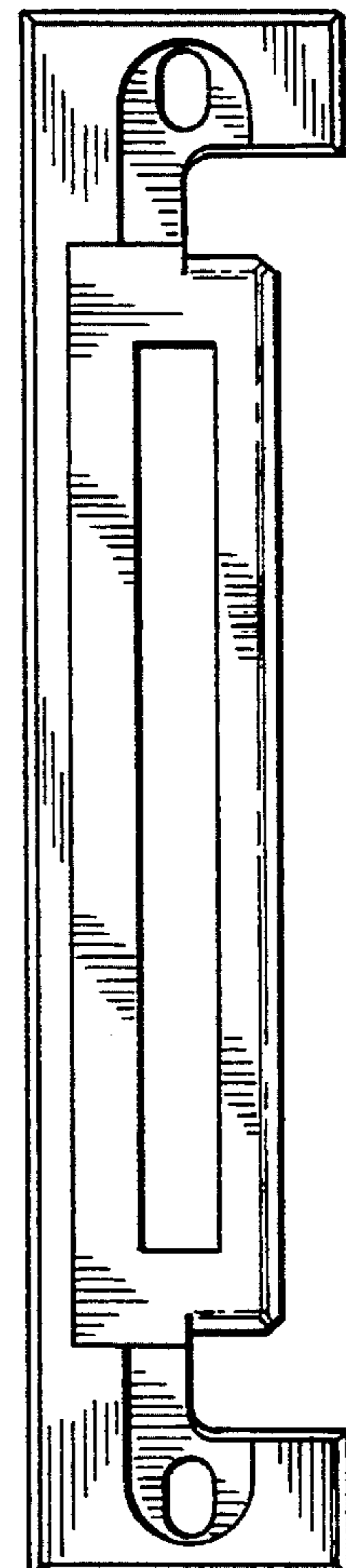


FIG. 7

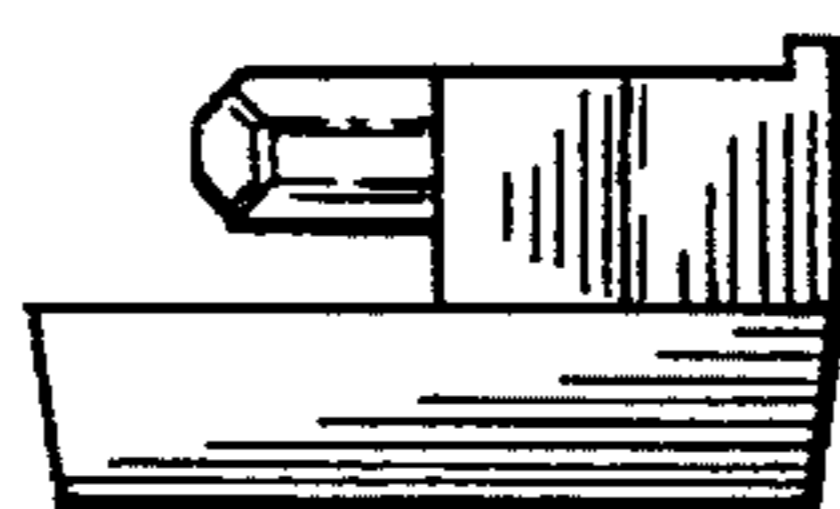


FIG. 8

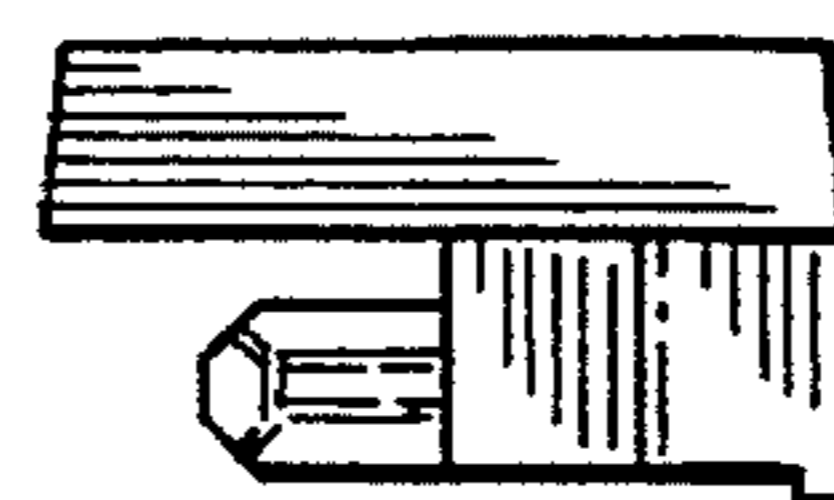


FIG. 9