



US00D365267S

United States Patent [19]

Goessling, Jr. et al.

[11] Patent Number: **Des. 365,267**

[45] Date of Patent: ****Dec. 19, 1995**

[54] **DOUBLE EDGED ENVELOPE OPENER**

[75] Inventors: **John G. Goessling, Jr.; David P. Lage,**
both of St. Louis County, Mo.

[73] Assignee: **Quick Point, Inc.,** Fenton, Mo.

[**] Term: **14 Years**

[21] Appl. No.: **30,735**

[22] Filed: **Nov. 7, 1994**

[52] U.S. Cl. **D8/102**

[58] Field of Search D8/102-104; D20/10,
D20/39, 40, 41; 30/2, 289, 294, DIG. 3

[56] **References Cited**

U.S. PATENT DOCUMENTS

D. 306,394	3/1990	Koenig	D8/102
D. 329,584	9/1992	Shevin et al.	D8/102
D. 350,770	9/1994	Carney et al.	D8/102
3,028,670	4/1962	Tilly	30/294
5,127,162	7/1992	Mansfield	30/294
5,285,577	2/1994	Carney et al.	30/294

OTHER PUBLICATIONS

Quick Point 1967 Catalog, p. 10.
Quick Point Jan. 1965 Catalog.
Quick Point 1992 Catalog, pp. 21-22.

Quick Point 1990 Catalog, pp. 52-53.

Quick Point 1981 Catalog.

Primary Examiner—Terry A. Wallace

Assistant Examiner—Adir Aronovich

Attorney, Agent, or Firm—Polster, Lieder, Woodruff & Lucchesi

[57] **CLAIM**

The ornamental design for a double edged envelope opener, as shown.

DESCRIPTION

FIG. 1 is a front, top and right side perspective view of the new design;

FIG. 2 is a front elevational view thereof;

FIG. 3 is a back elevational view thereof;

FIG. 4 is a top plan view thereof;

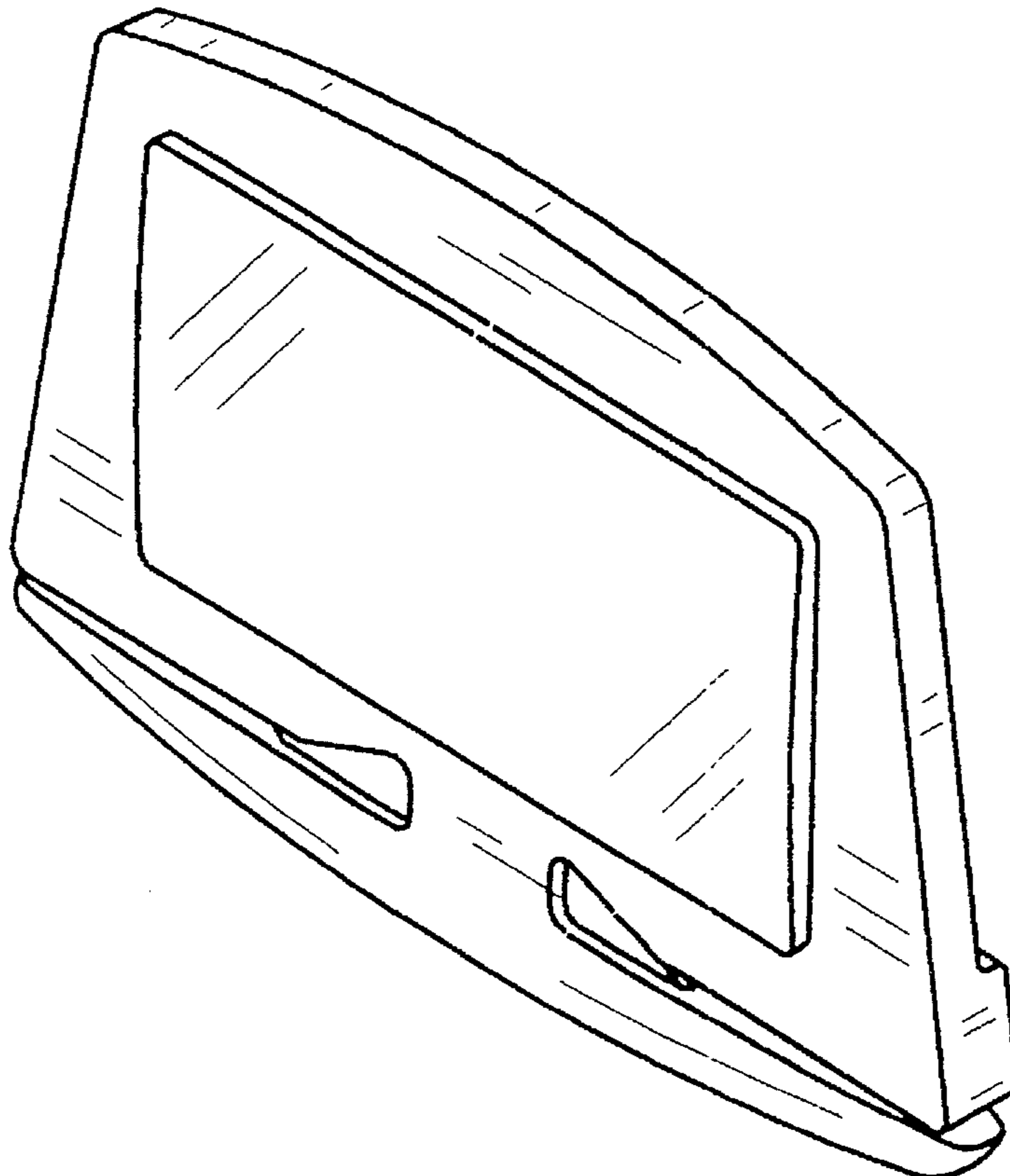
FIG. 5 is a bottom plan view thereof;

FIG. 6 is a left side elevational view thereof;

FIG. 7 is a right side elevational view thereof; and,

FIG. 8 is a vertical sectional view taken along line 8-8 of FIG. 2.

1 Claim, 1 Drawing Sheet



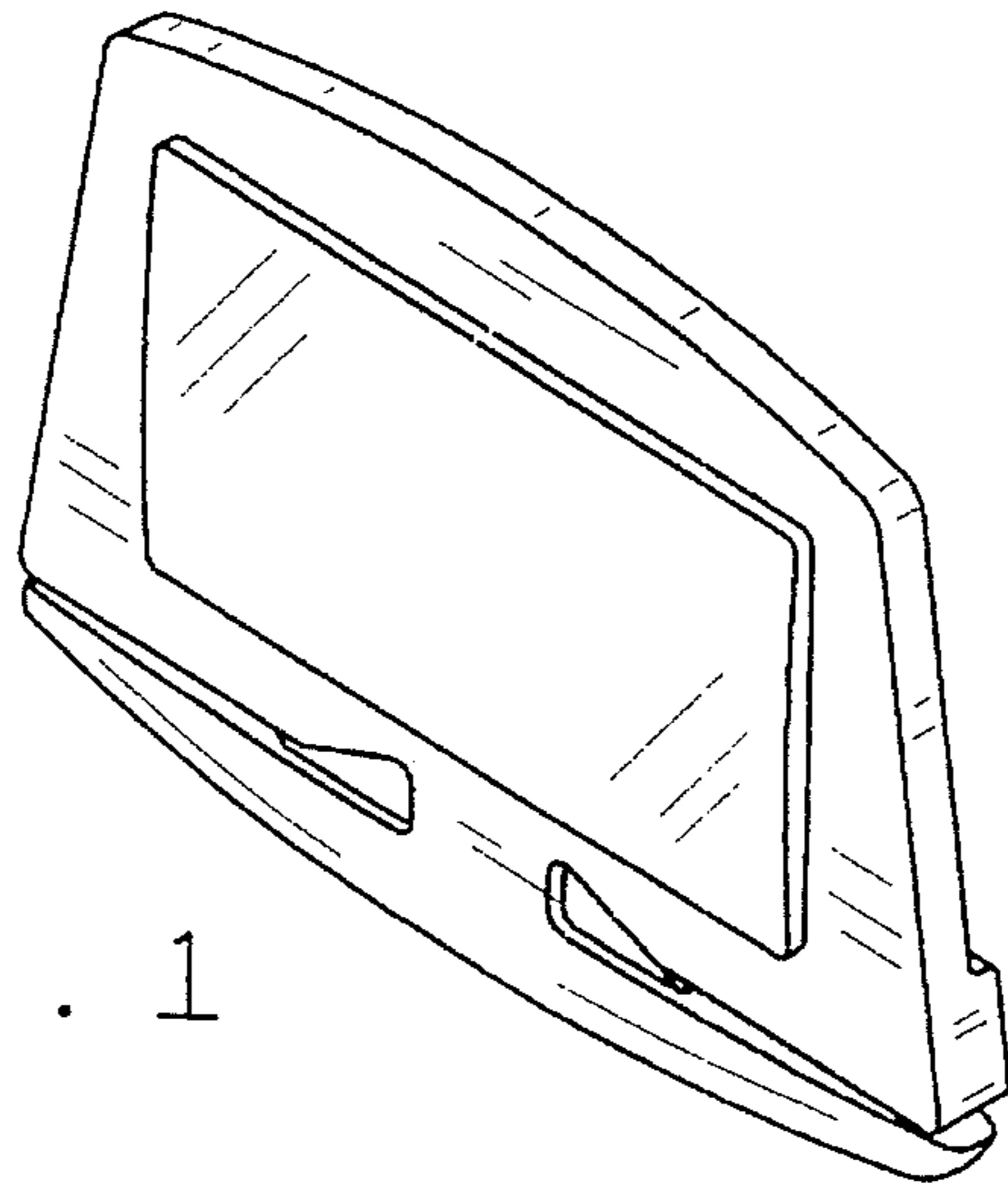


FIG. 1

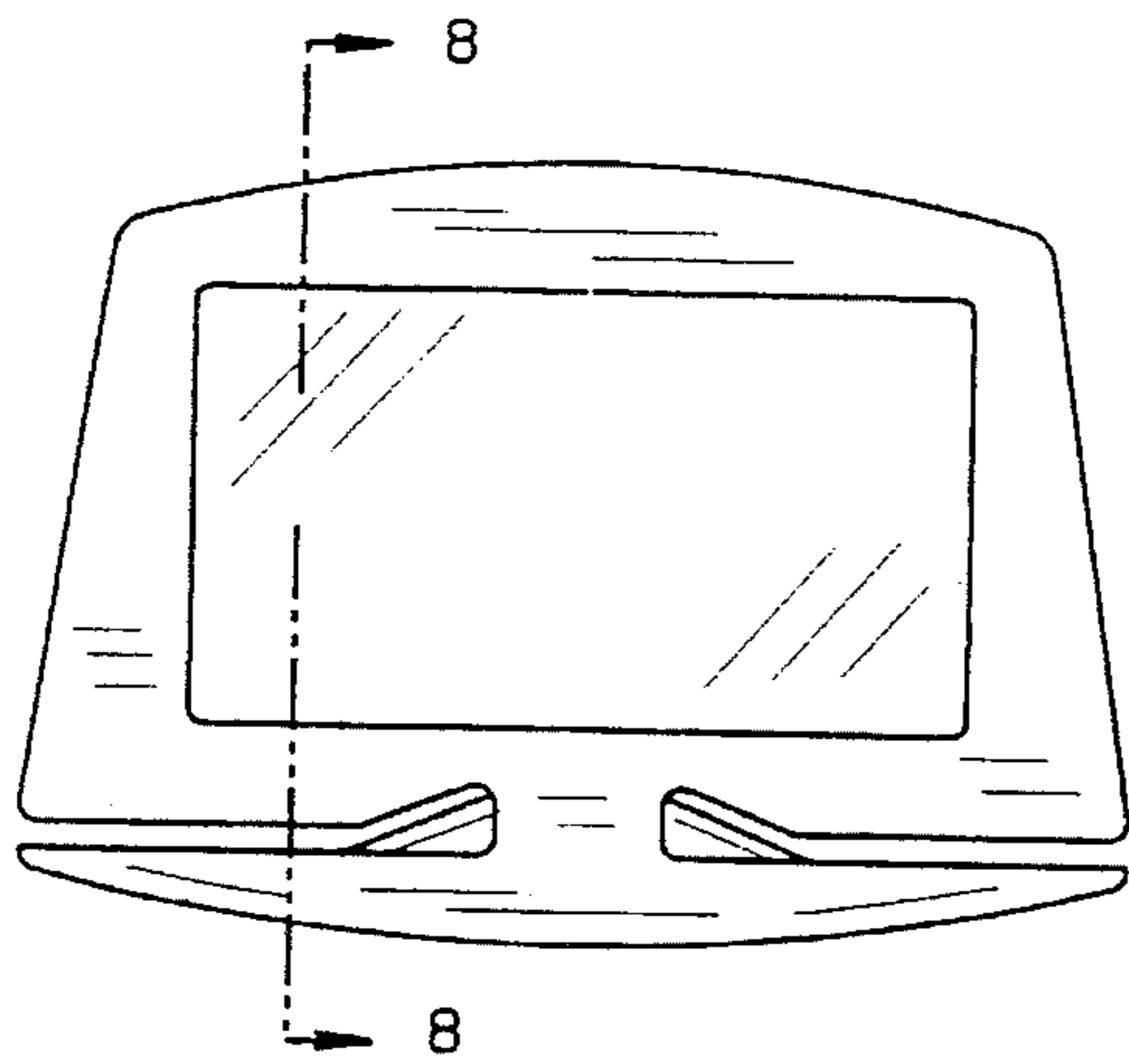


FIG. 2

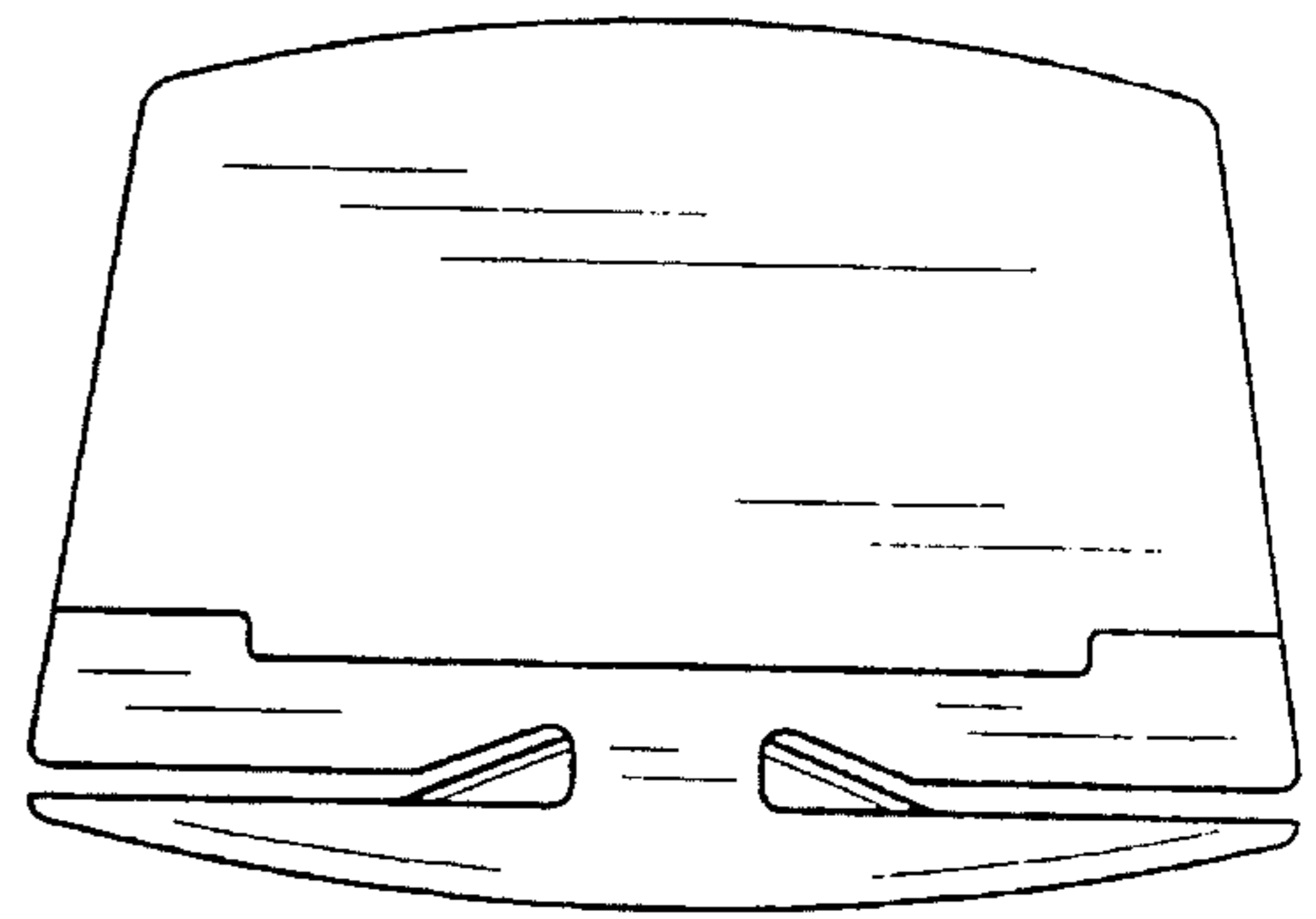


FIG. 3

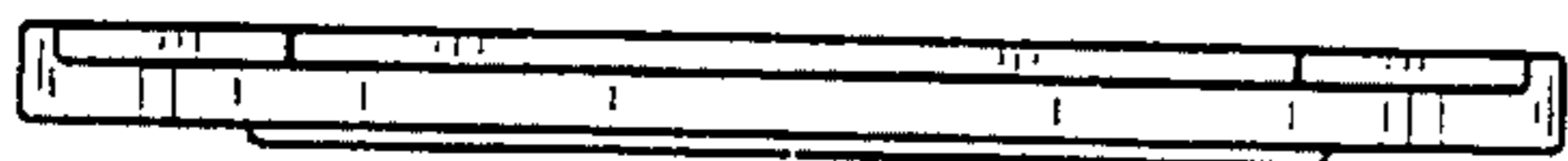


FIG. 4

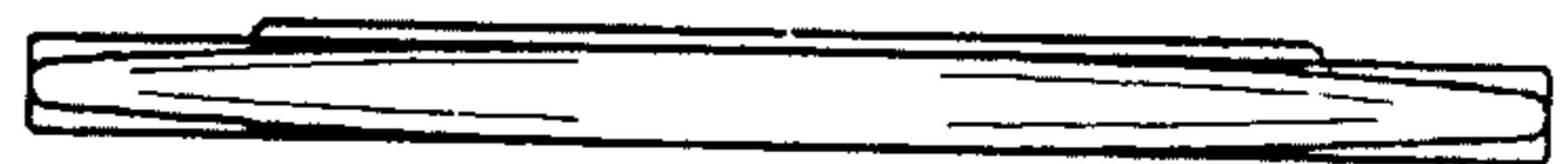


FIG. 5



FIG. 6



FIG. 7



FIG. 8

UNITED STATES PATENT AND TRADEMARK OFFICE
CERTIFICATE OF CORRECTION

PATENT NO. : Des. 365,267
DATED : December 19, 1995
INVENTOR(S) : Goessling et al.

It is certified that error appears in the above-identified patent and that said Letters Patent is hereby corrected as shown below:

On the title page; item [75] Inventor:

by deleting "Jr." following -- Goessling --.

Signed and Sealed this
Seventh Day of May, 1996



BRUCE LEHMAN

Attest:

Attesting Officer

Commissioner of Patents and Trademarks