



US00D365266S

United States Patent [19]

Hasegawa

[11] Patent Number: **Des. 365,266**

[45] Date of Patent: ****Dec. 19, 1995**

[54] **KNIFE**
[75] Inventor: **Katsumi Hasegawa**, Sagamihara, Japan

[73] Assignee: **Kai R & D Center Co., Ltd.**, Gifu, Japan

[**] Term: **14 Years**

[21] Appl. No.: **32,841**

[22] Filed: **Dec. 29, 1994**

[30] Foreign Application Priority Data

Jun. 29, 1994 [JP] Japan 6-19428

[52] U.S. Cl. **D8/99**

[58] Field of Search D8/99; D22/118; 30/156, 154, 155, 157, 158, 159, 160, 161

[56] References Cited

U.S. PATENT DOCUMENTS

D. 256,982	9/1980	Sakurai	D8/99
D. 272,513	2/1984	Kagebayashi	D8/99
D. 321,820	11/1991	Russell	D8/99
D. 333,604	3/1993	Thompson et al.	D8/99
D. 347,375	5/1994	Sakai	D8/99

4,604,803	8/1986	Sawby	30/155
4,974,323	12/1990	Cassady	30/155
4,985,998	1/1991	Howard	30/155
5,060,379	10/1991	Neely	30/155

Primary Examiner—Ted Shooman
Assistant Examiner—Philip Hyder
Attorney, Agent, or Firm—Nawrocki, Rooney & Sivertson

[57] CLAIM

The ornamental design for a knife, as shown and described.

DESCRIPTION

FIG. 1 is a front view of a knife showing my new design; FIG. 2 is a rear view thereof; FIG. 3 is a top plan view thereof; FIG. 4 is a bottom plan view thereof; FIG. 5 is a right side view thereof; FIG. 6 is a left side view thereof; FIG. 7 is a cross-sectional view thereof taken along line 7—7 of FIG. 3; FIG. 8 is a cross-sectional view thereof taken along line 8—8 of FIG. 1; FIG. 9 is a front view thereof in a closed position; and, FIG. 10 is a front perspective view thereof.

1 Claim, 3 Drawing Sheets

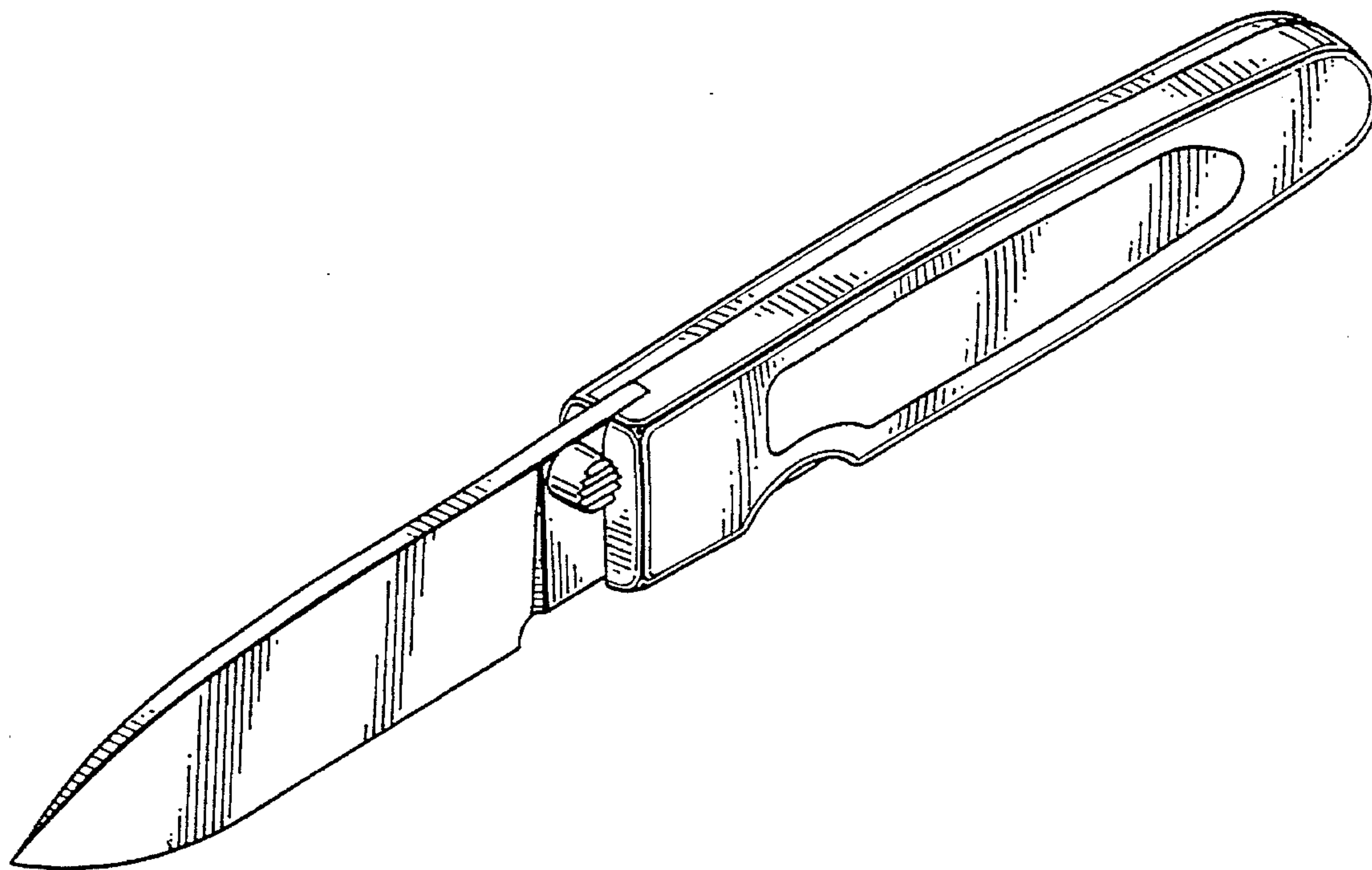


FIG. 1

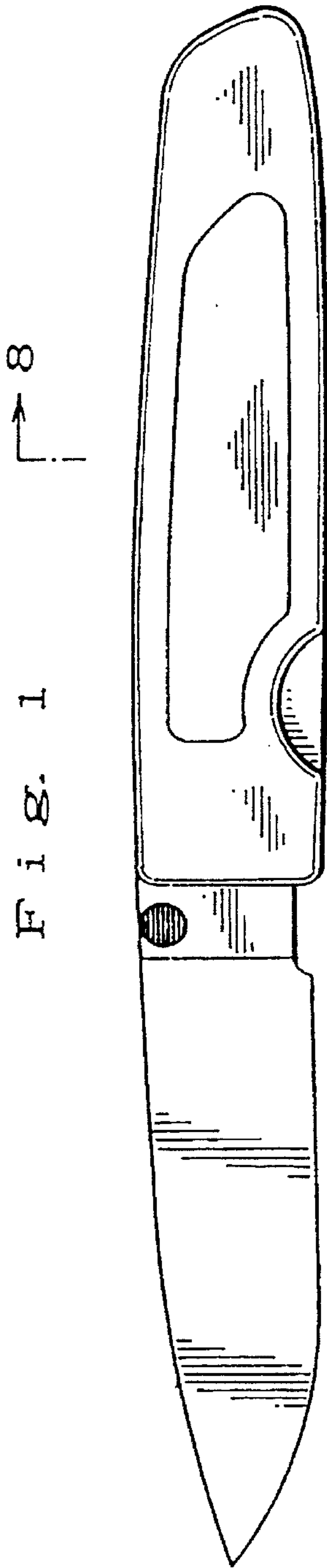


FIG. 2

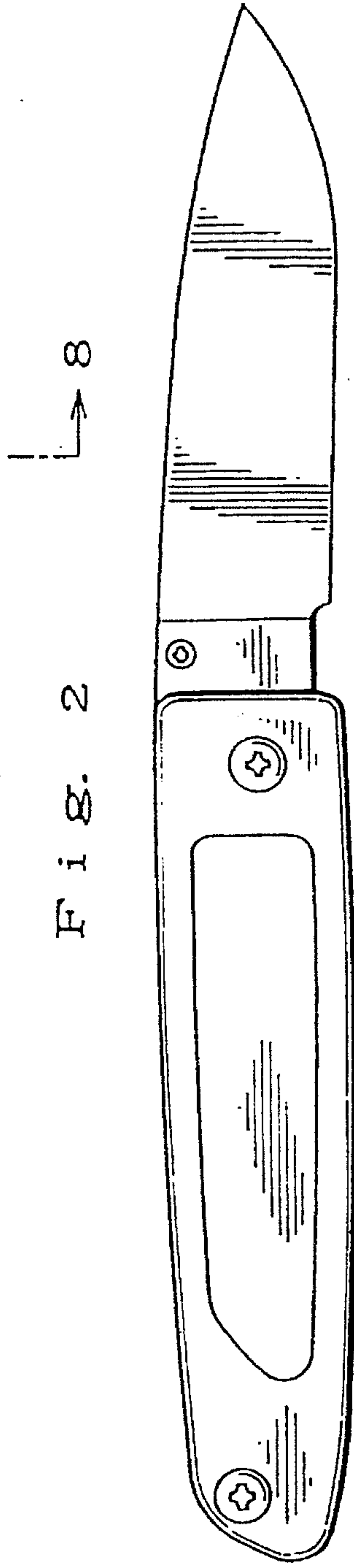


FIG. 3



FIG. 4

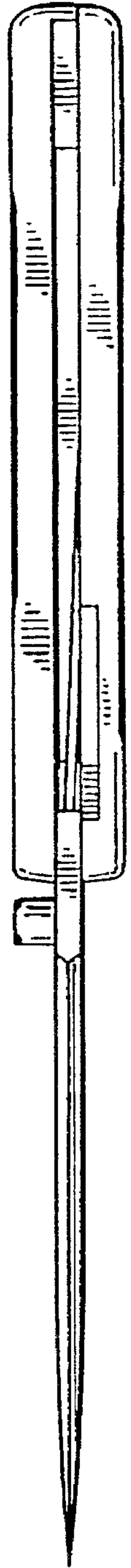


Fig. 5

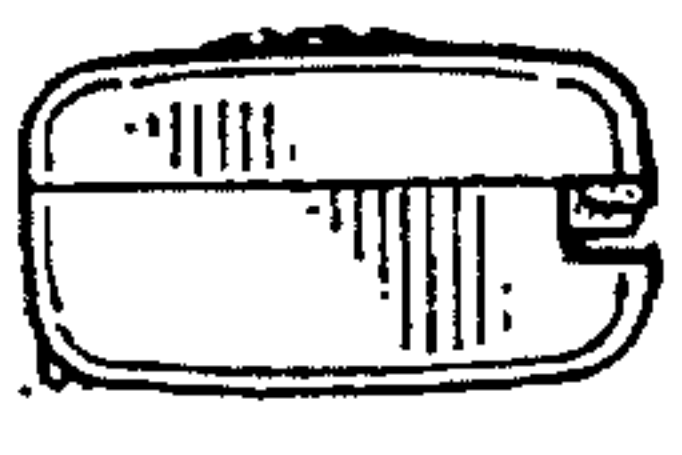


Fig. 6

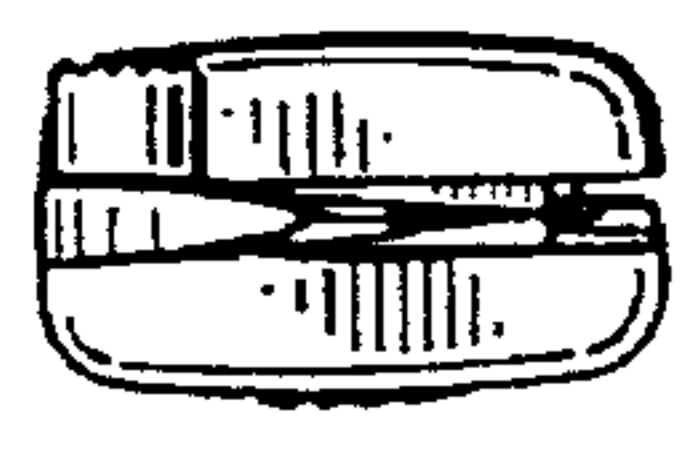


Fig. 7

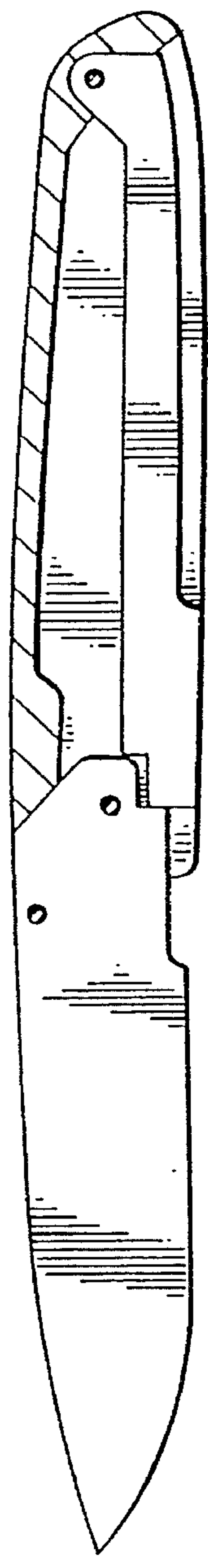


Fig. 8

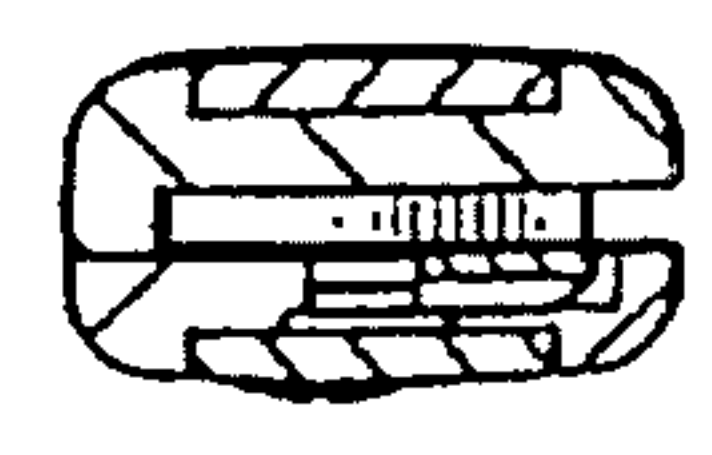
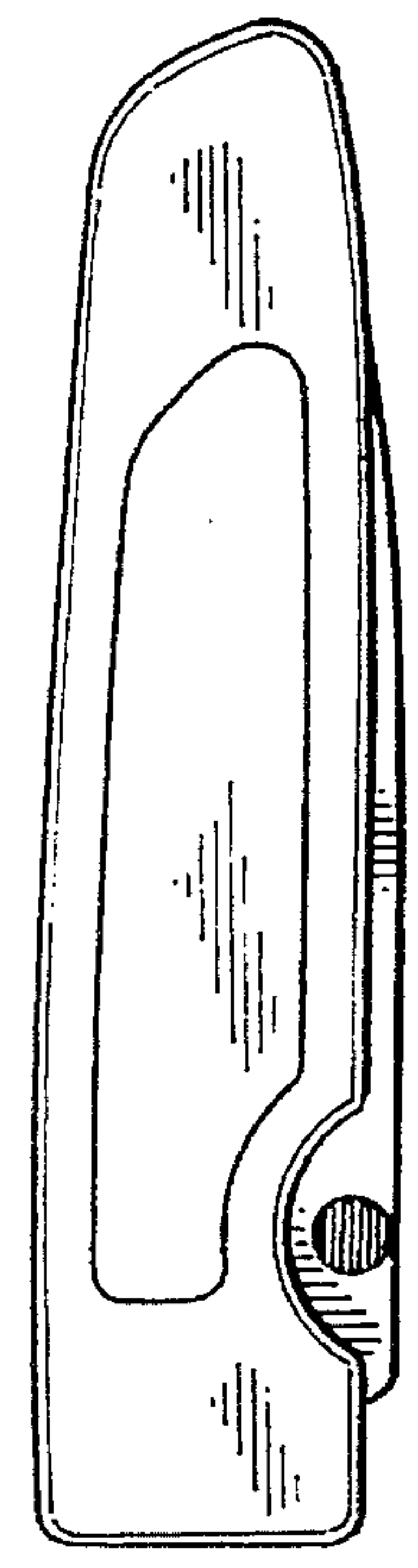


Fig. 9



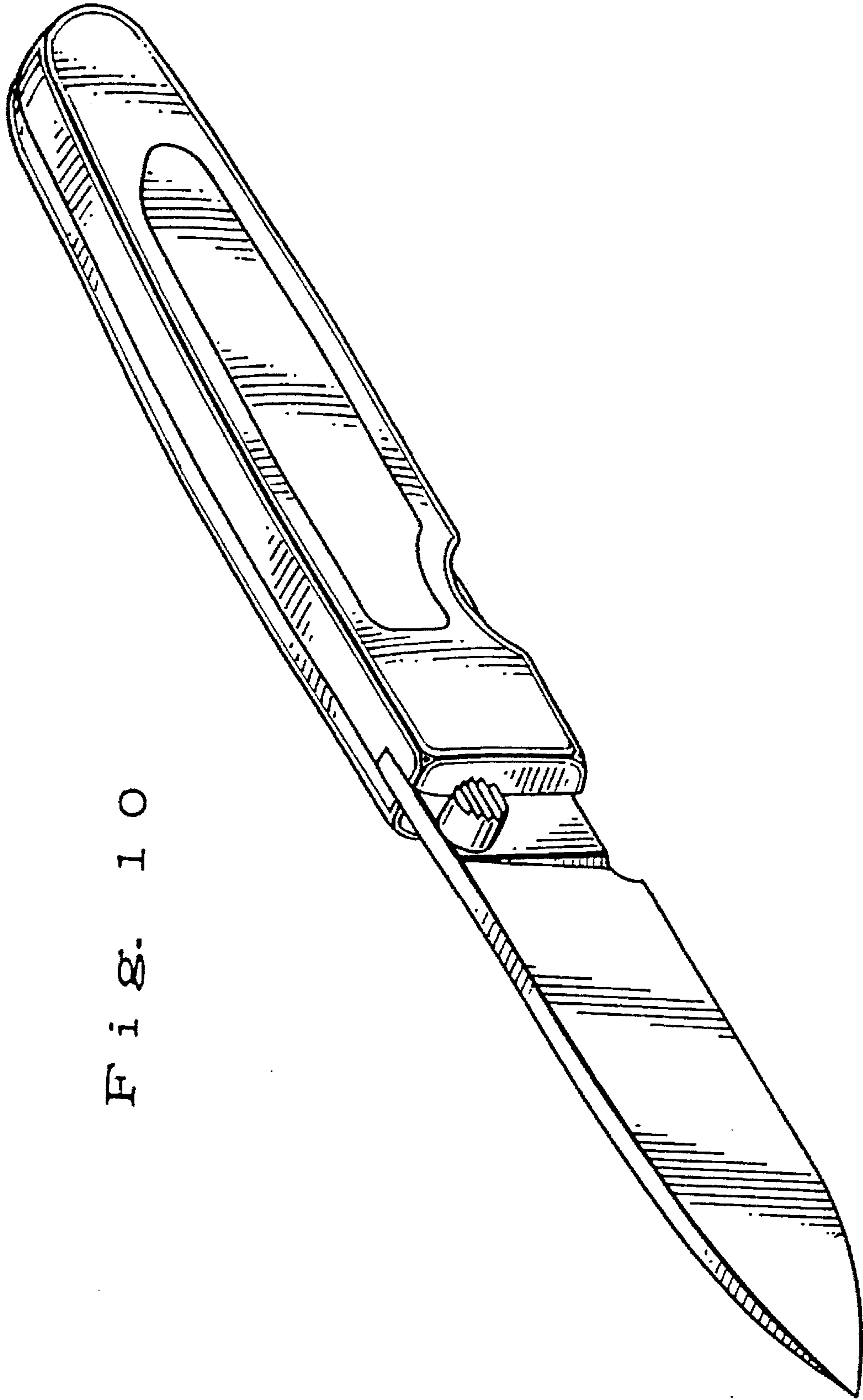


FIG. 10