



US00D365265S

United States Patent [19] DiBona

[11] Patent Number: **Des. 365,265**
[45] Date of Patent: ****Dec. 19, 1995**

[54] **PINSTRIFE CUTTING TOOL**
[76] Inventor: **Richard DiBona**, Road. 3, Box 167-A,
Chester, Vt. 05143
[**] Term: **14 Years**
[21] Appl. No.: **25,927**
[22] Filed: **Jul. 15, 1994**
[52] U.S. Cl. **D8/98**
[58] Field of Search D8/98, 51; 83/444,
83/433, 425, 105; 30/280, 294

4,345,497 8/1982 Cobleigh et al. 83/425
4,827,818 5/1989 Stringfellow 83/444

Primary Examiner—Ted Shooman
Assistant Examiner—Philip Hyder
Attorney, Agent, or Firm—Gardner, Carton & Douglas

[57] CLAIM

The ornamental design for a pinstripe cutting tool, as shown and described.

DESCRIPTION

FIG. 1 is a perspective view of the pinstripe cutting tool showing my new design;
FIG. 2 is a top plan view thereof;
FIG. 3 is a front plan view thereof;
FIG. 4 is a right side view thereof;
FIG. 5 is a left side view thereof;
FIG. 6 is a rear view thereof; and,
FIG. 7 is a bottom view thereof.

1 Claim, 2 Drawing Sheets

[56] References Cited

U.S. PATENT DOCUMENTS

D. 330,498	10/1992	Ronan	D8/98
3,156,149	11/1964	Frizelle, III	83/433
3,633,449	1/1972	Knudsen	83/105
3,678,581	7/1972	Bolduc	83/105
3,735,658	5/1973	Swann	83/433
3,774,491	11/1973	Killilea	83/433
3,791,247	2/1974	Pretz	83/433

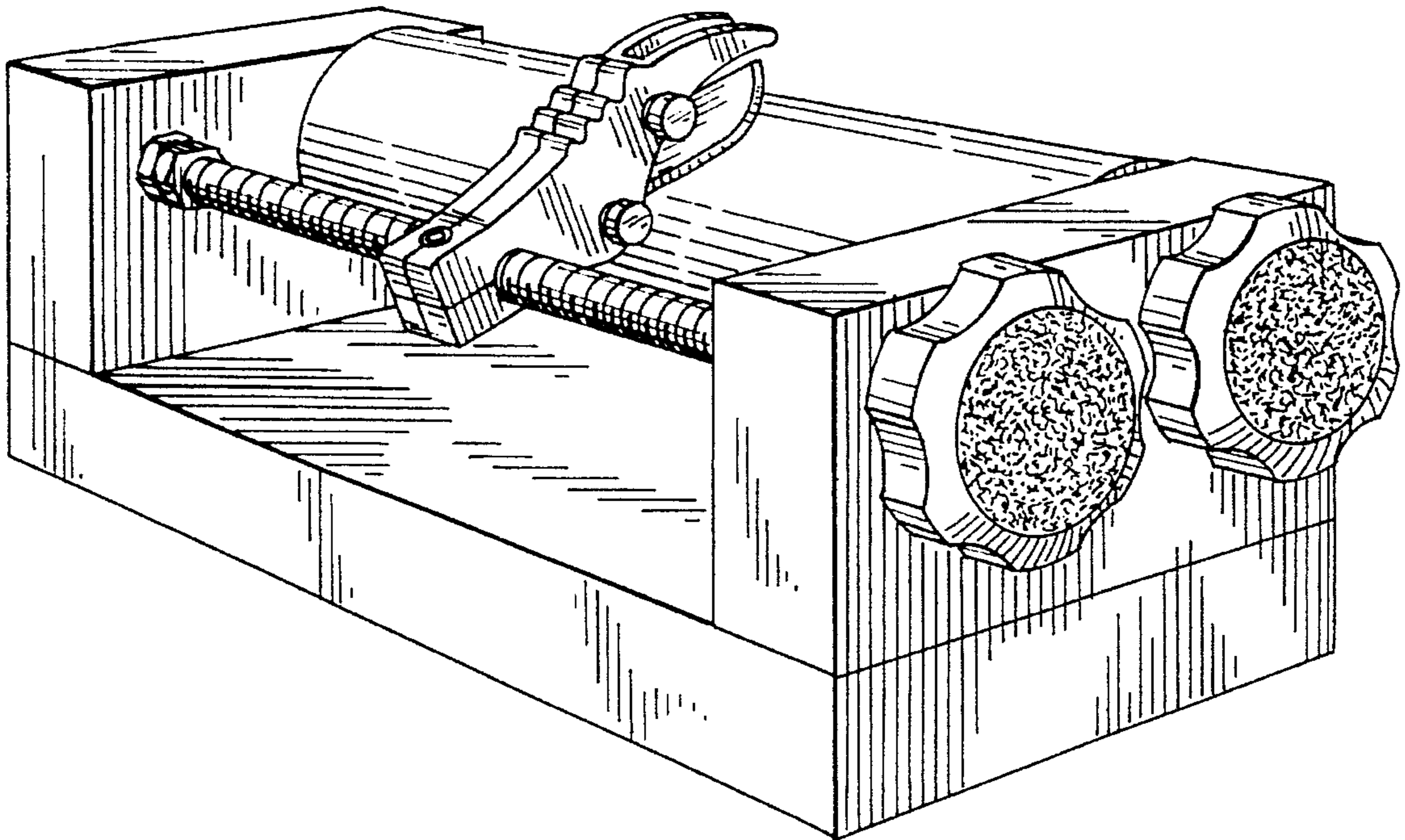


Fig. 1

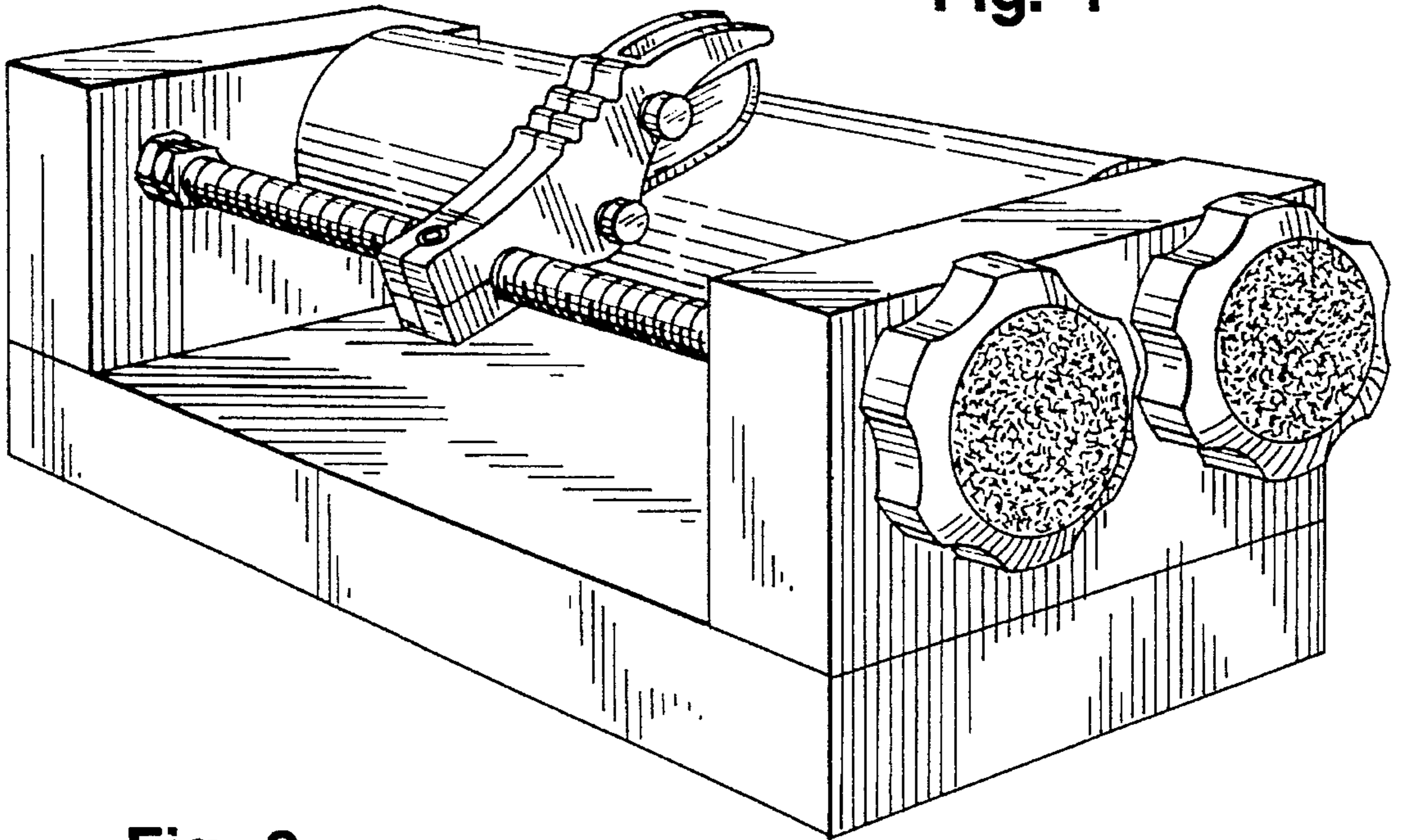


Fig. 2

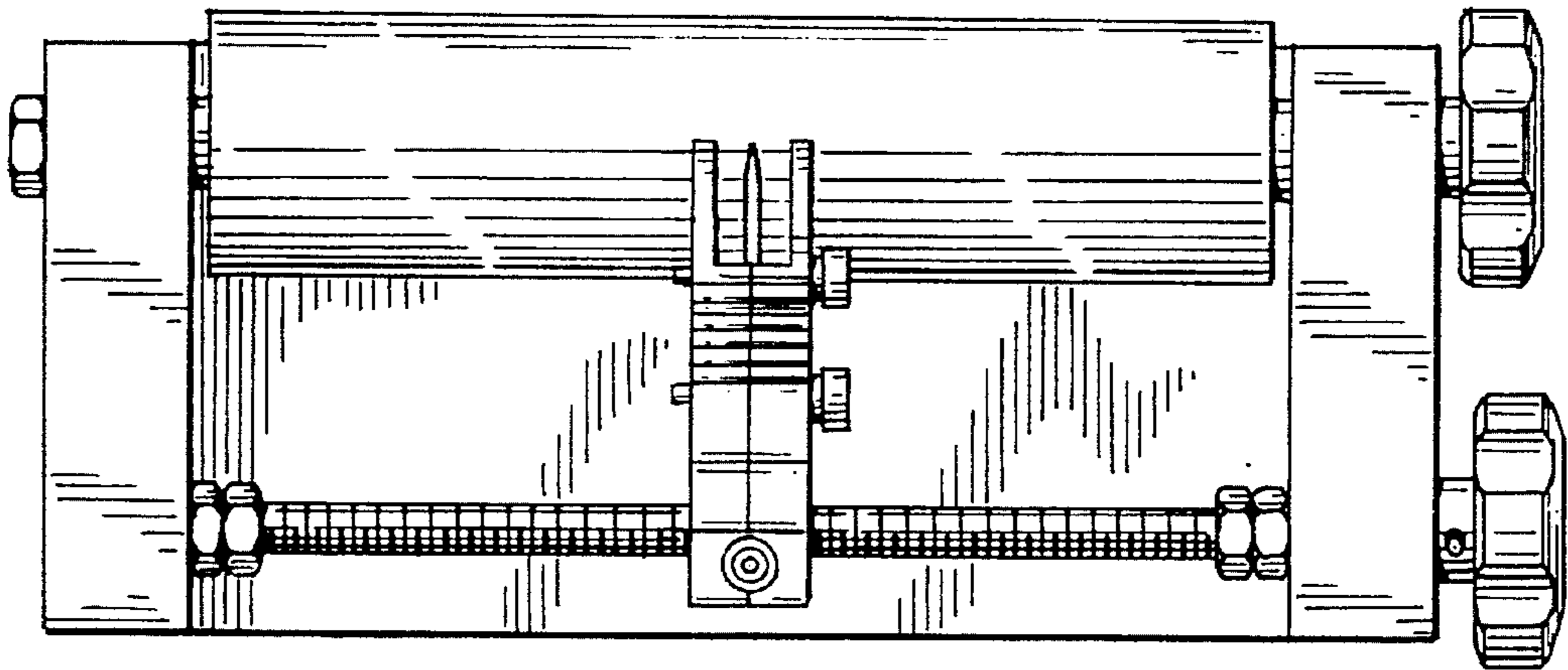


Fig. 3

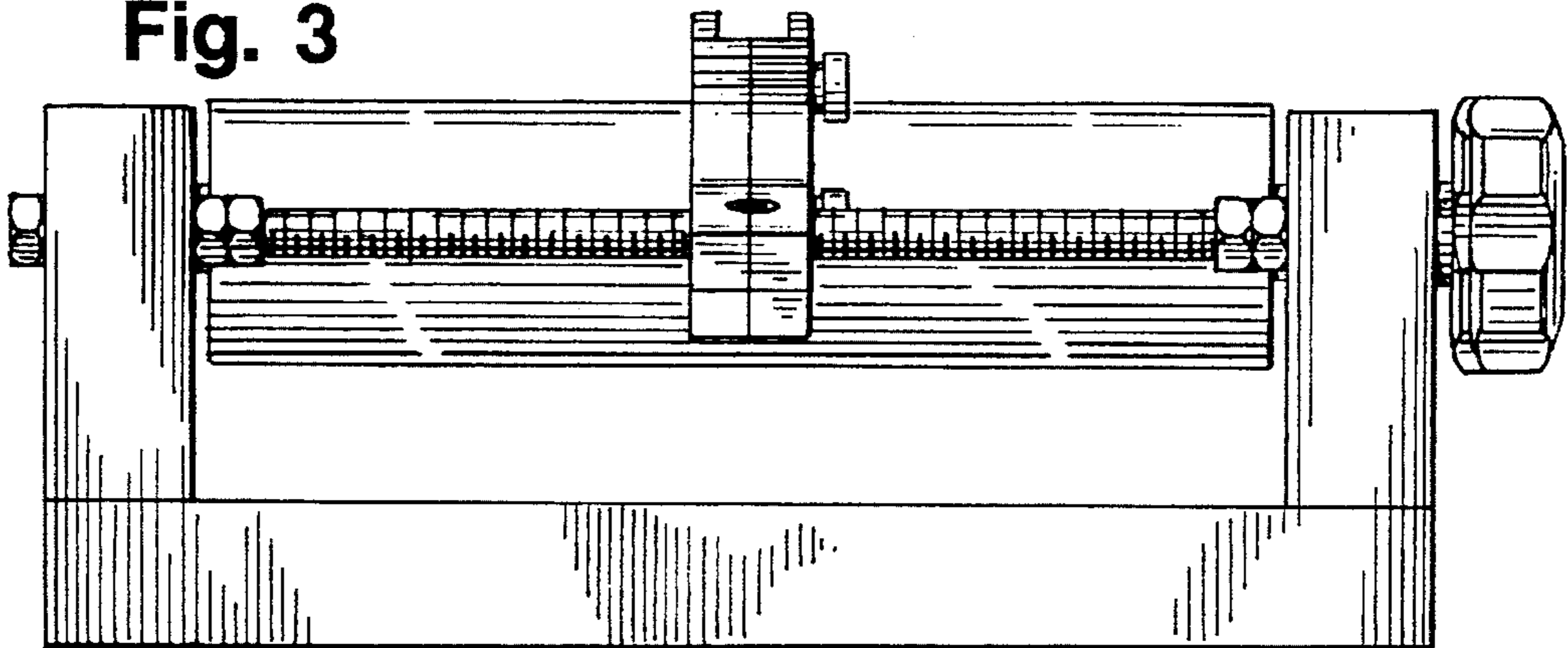


Fig. 4

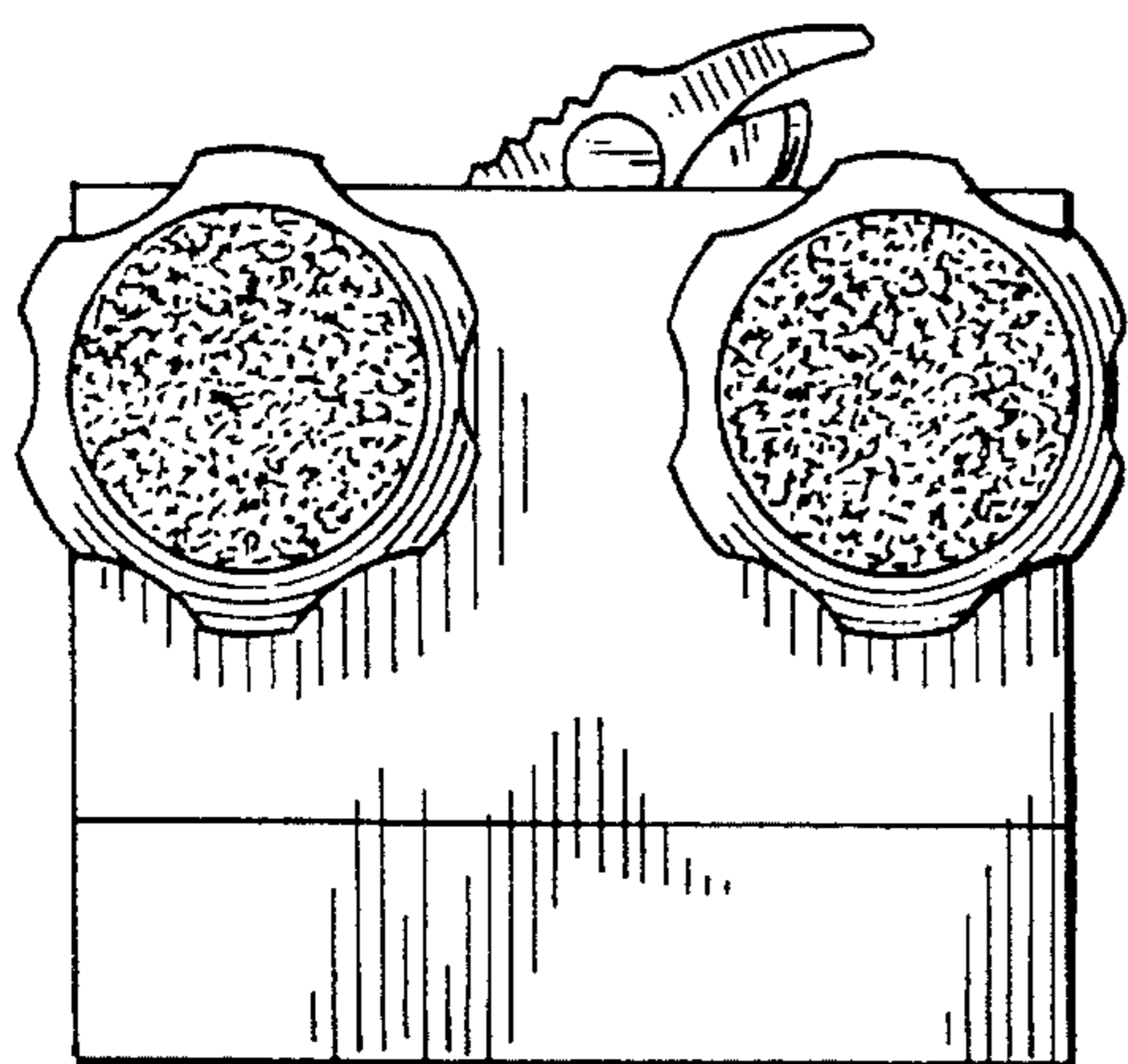


Fig. 5

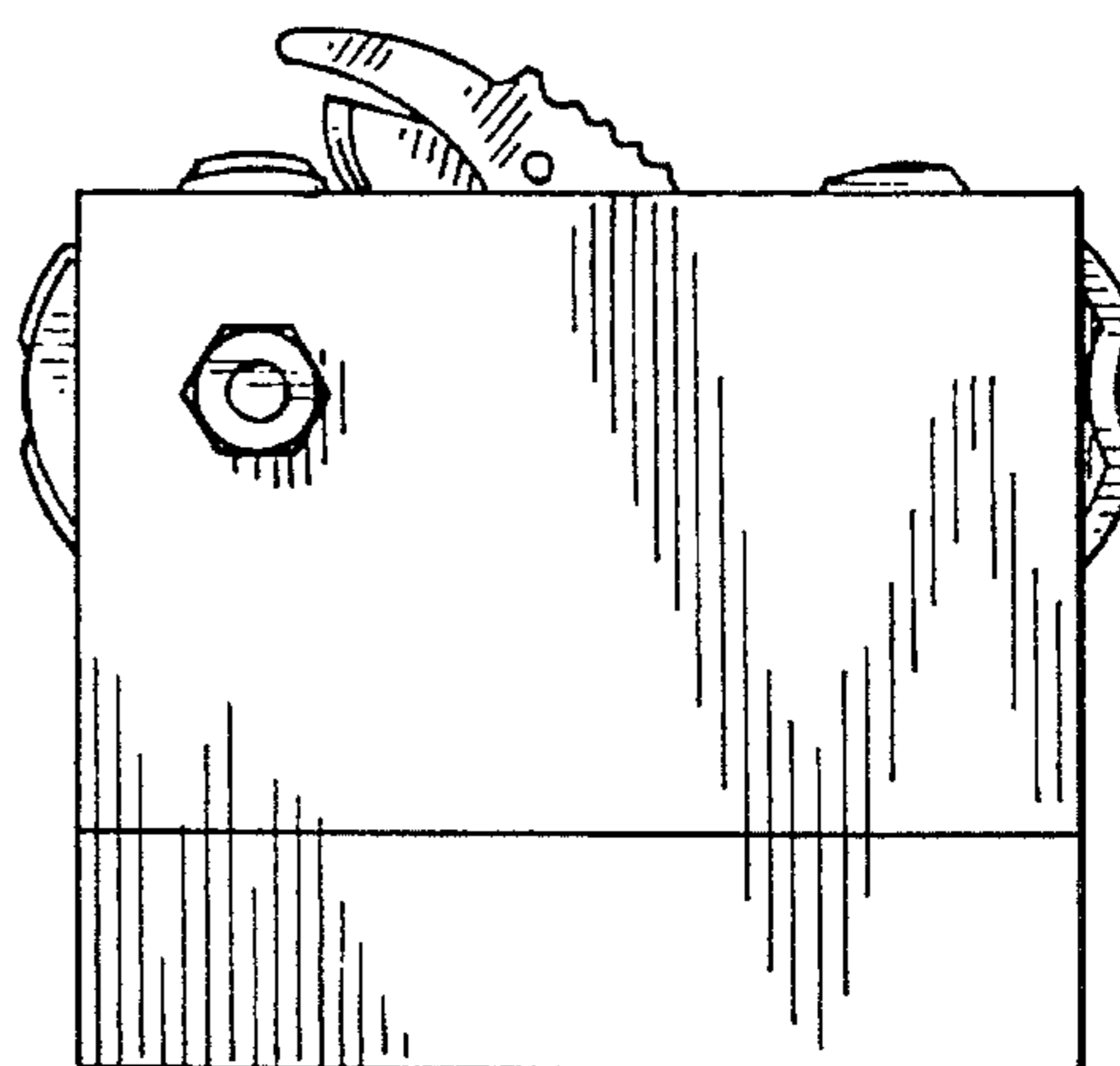


Fig. 6

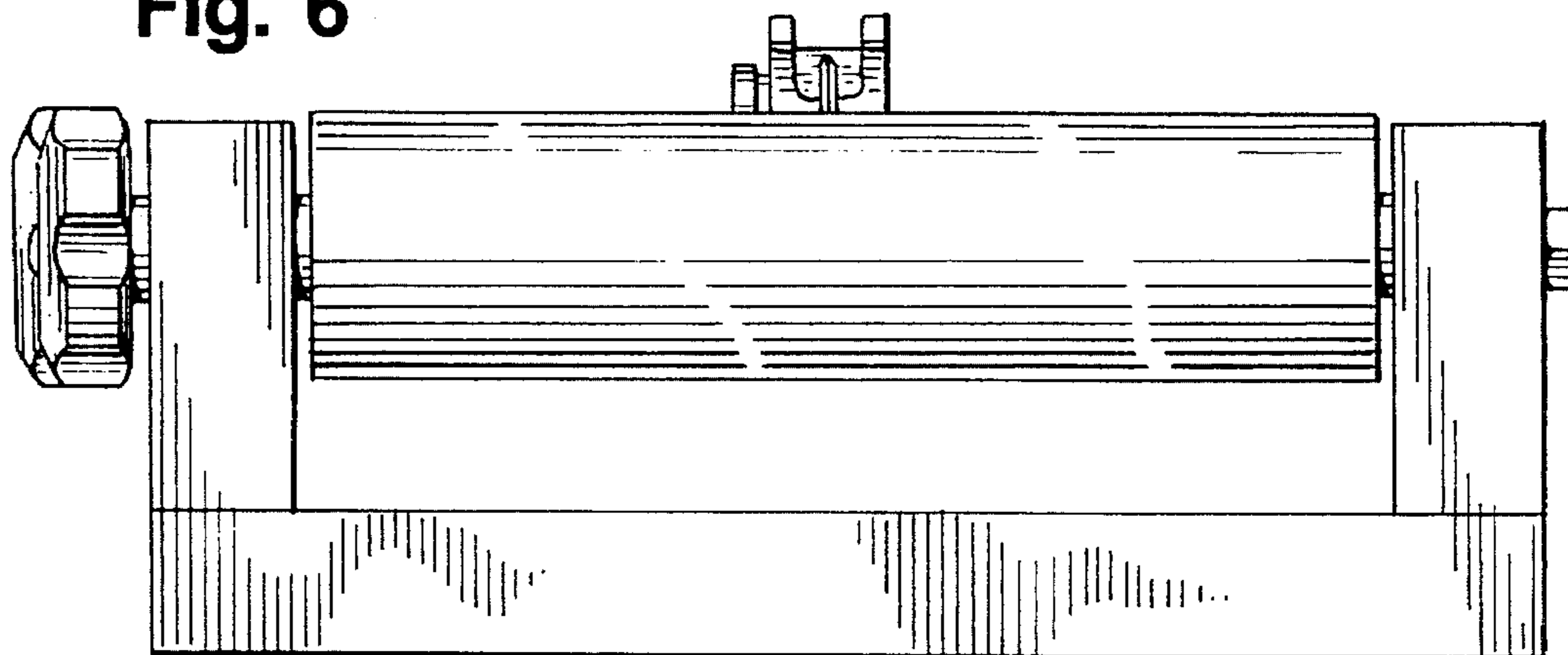


Fig. 7

