



US00D365264S

United States Patent [19]
Morgan

[11] **Patent Number: Des. 365,264**

[45] **Date of Patent: **Dec. 19, 1995**

[54] **SHOVEL ATTACHMENT FOR AN ICE AXE**

[76] Inventor: **Richey Morgan**, 13653 Bandix Rd
S.E., Olalla, Wash. 98359

[**] Term: **14 Years**

[21] Appl. No.: **24,138**

[22] Filed: **Jun. 9, 1994**

[52] U.S. Cl. **D8/80**

[58] **Field of Search** D8/1, 7, 9, 11,
D8/76, 80; 294/51, 49; 172/371-372, 375-376;
7/114-116, 158; 30/308.1, 308.3

[56] **References Cited**

U.S. PATENT DOCUMENTS

2,254,586	9/1941	Warick	7/158
3,561,023	2/1971	Shandel	7/116
5,345,635	9/1994	Morgan	7/116

Primary Examiner—A. Hugo Word

Assistant Examiner—Holly Baynham
Attorney, Agent, or Firm—Norman B. Rainer

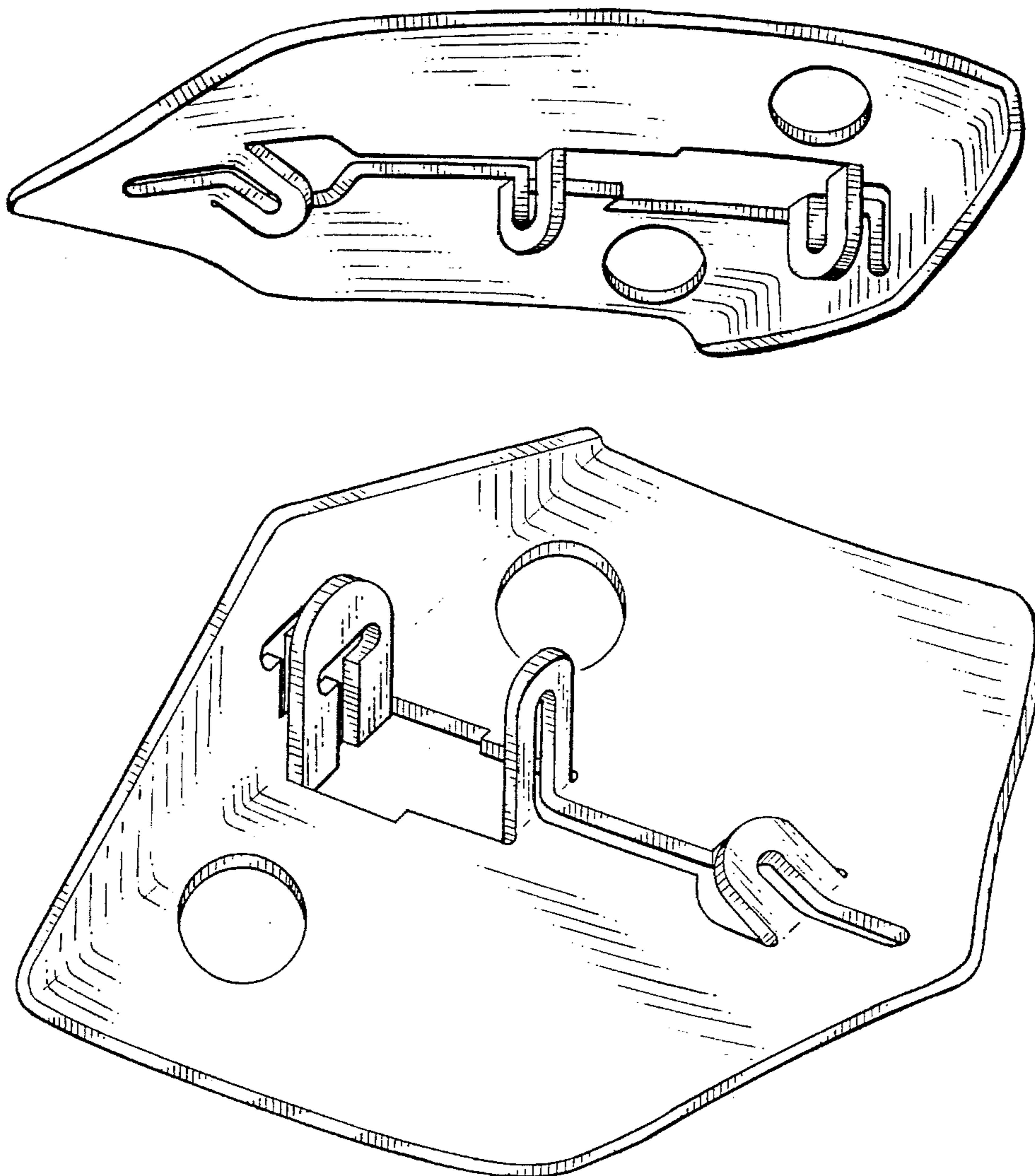
[57] **CLAIM**

The ornamental design for a shovel attachment for an ice axe, as shown and described.

DESCRIPTION

FIG. 1 is a bottom perspective view of a shovel attachment for an ice axe, showing my new design; FIG. 2 is a top perspective view thereof; FIG. 3 is a side view thereof, the opposite side being of identical appearance; FIG. 4 is a rear view thereof; FIG. 5 is a front view thereof; FIG. 6 is a bottom perspective view of an alternative embodiment thereof; and, FIG. 7 is a rear elevational view of said alternative embodiment.

1 Claim, 3 Drawing Sheets



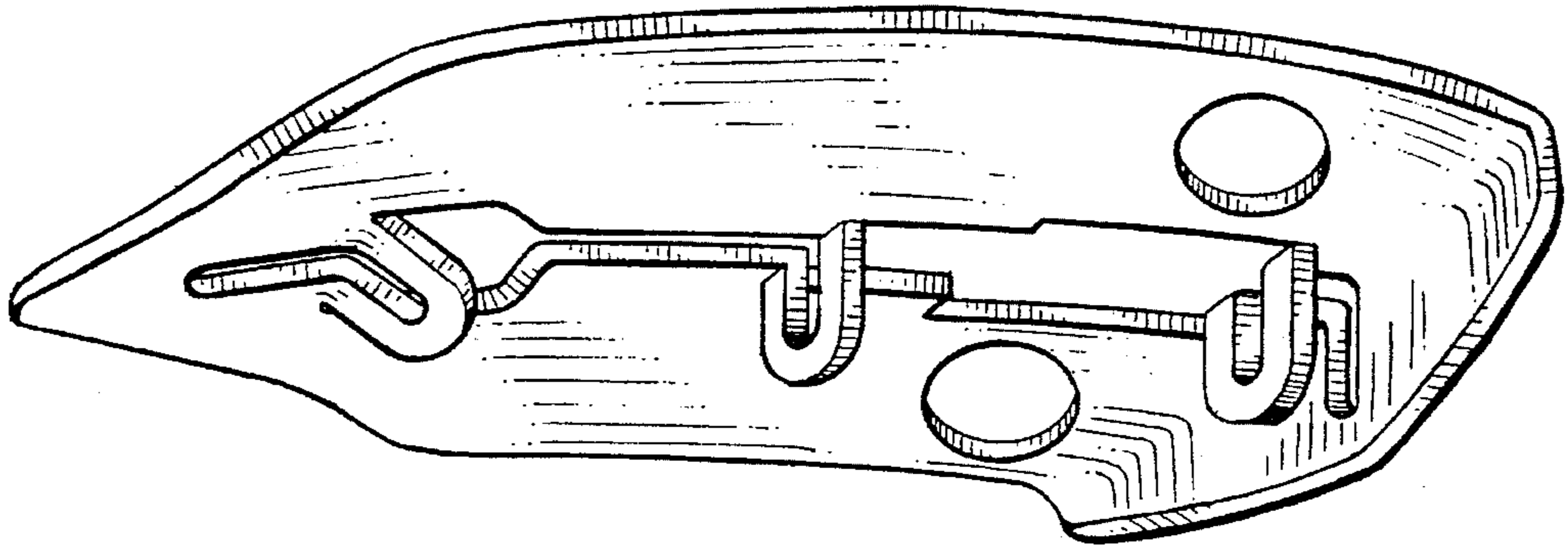


FIG 1

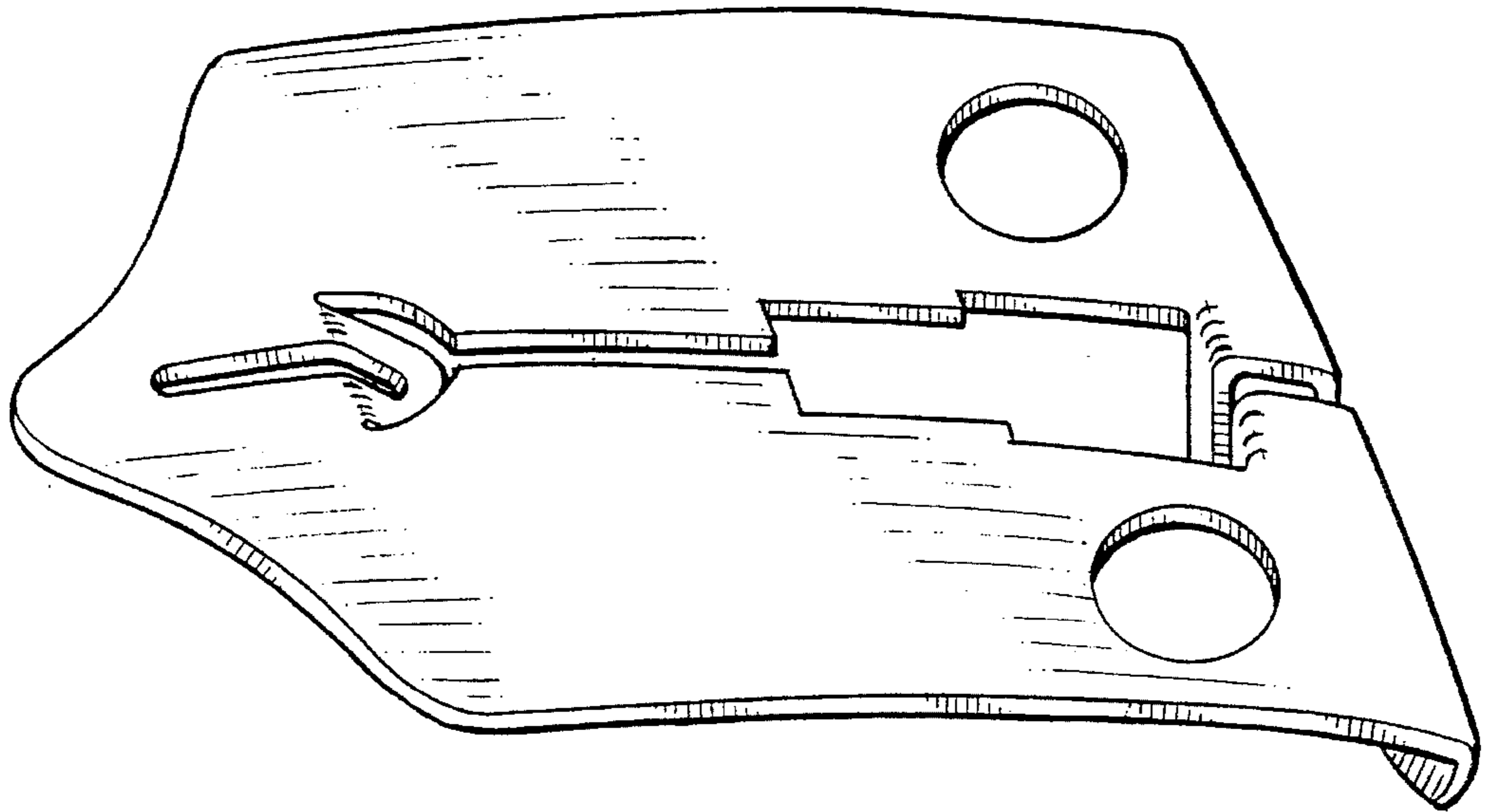


FIG 2

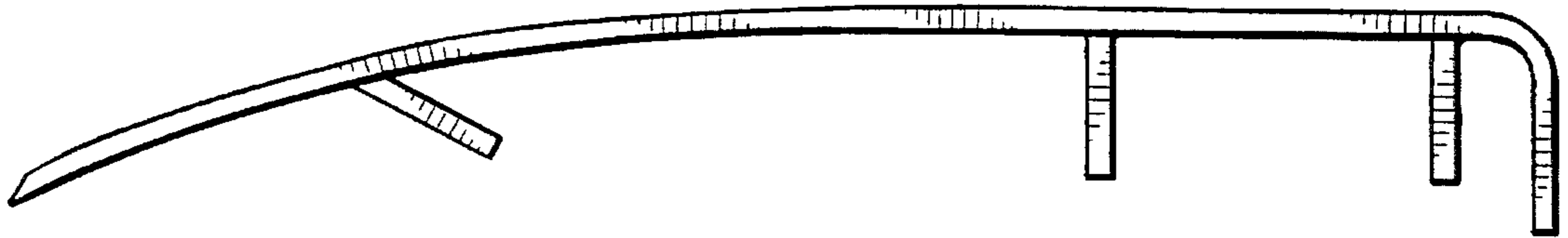


FIG 3

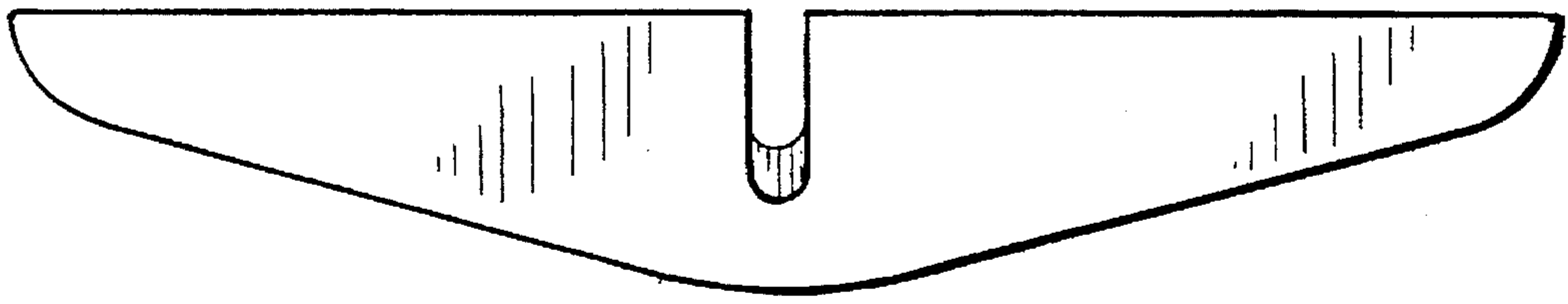


FIG 4

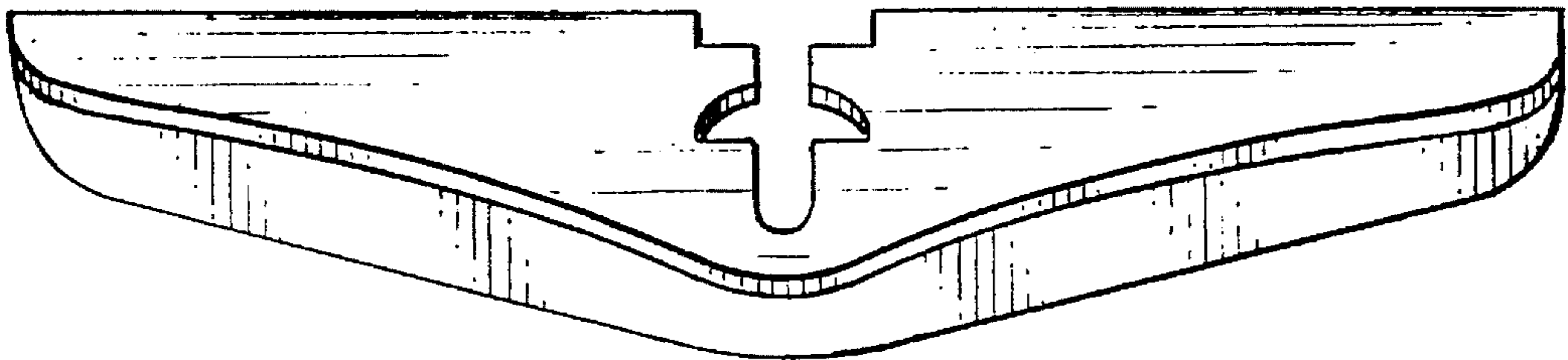


FIG 5

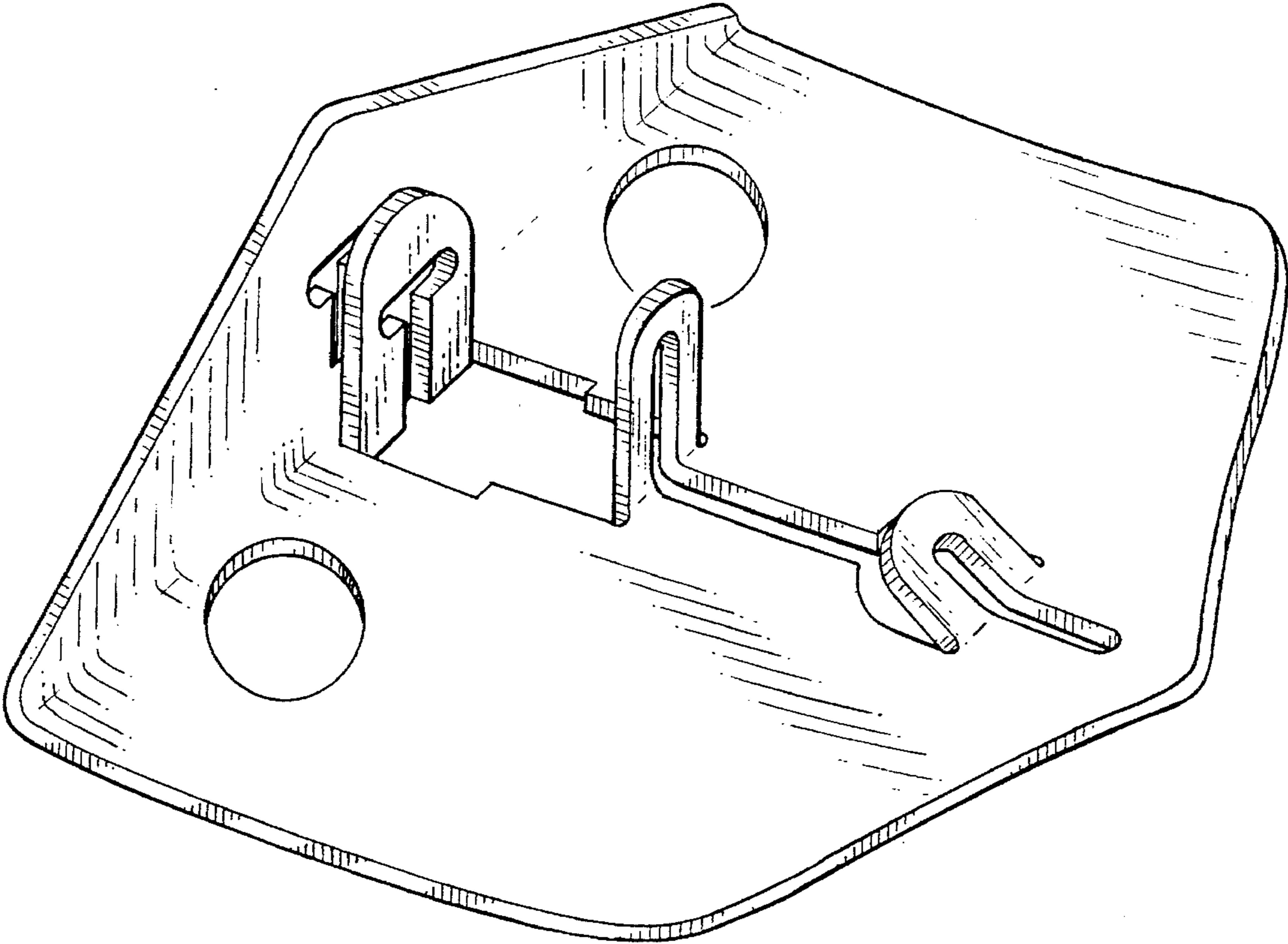


FIG. 6

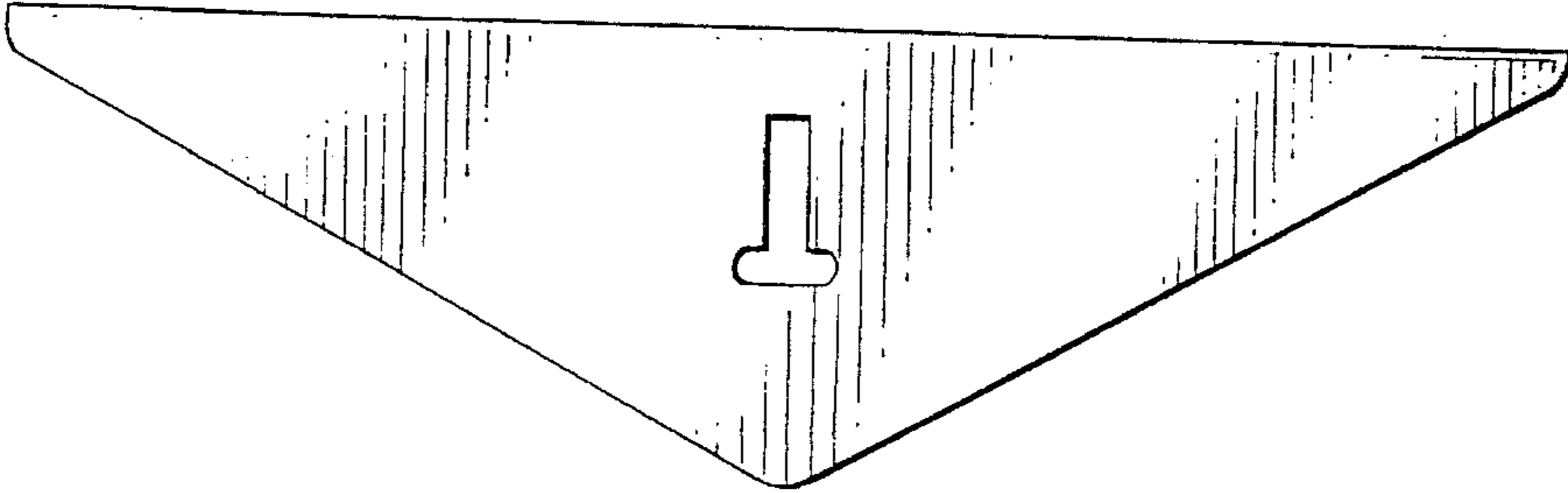


FIG. 7