



US00D365263S

United States Patent [19]

[11] Patent Number: **Des. 365,263**

Sorensen et al.

[45] Date of Patent: ****Dec. 19, 1995**

[54] **PIPE CLAMP**

3,933,346	1/1976	Carver	D8/72 X
4,042,264	8/1977	Shumer .	
4,132,397	1/1979	Ward .	
4,306,710	12/1981	Vosper .	
4,339,113	7/1982	Vosper .	
5,096,170	3/1992	Albin .	

[76] Inventors: **Joseph A. Sorensen**, 6533 Sundance Ct., Lincoln, Nebr. 68512; **Anthony B. Fuller**, 302 S. Pear, DeWitt, Nebr. 68341; **Thomas M. Chervenak**, 1515 S. 3rd St., Beatrice, Nebr. 68310; **Toby J. Beckmann**, Rt. 1, Box 26, Seward, Nebr. 68434

[**] Term: **14 Years**

[21] Appl. No.: **25,125**

[22] Filed: **Jun. 27, 1994**

Related U.S. Application Data

- [63] Continuation-in-part of Ser. No. 17,194, Jan. 6, 1994, Pat. No. Des. 355,104.
- [52] **U.S. Cl.** **D8/72**; D8/74; D8/22
- [58] **Field of Search** D8/22, 61, 72, D8/73, 74, 71; 269/90, 112, 128, 182, 178, 173, 228, 212

[56] **References Cited**

U.S. PATENT DOCUMENTS

D. 222,872	1/1972	Boucher .	
D. 227,192	6/1973	Schafhauser .	
D. 238,140	12/1975	Guimarin .	
D. 259,327	5/1981	Sloane	D8/74
D. 286,369	10/1986	Hahn .	
D. 333,963	3/1993	Goodman	D8/74
D. 340,632	10/1993	Easley	D8/74
D. 346,942	5/1994	Sawdon .	
D. 355,104	2/1995	Sorensen et al.	D8/72
927,067	7/1909	Offineer .	
1,241,215	9/1917	Hoffman .	
1,340,092	5/1920	Tuscher, Jr. .	
1,783,713	12/1930	Holman .	
2,133,892	10/1938	Gelinski .	
2,815,053	12/1957	Walker .	
2,815,778	12/1957	Holman .	
3,575,405	4/1971	Harding	D8/72 X
3,596,898	8/1971	Hilburn	D8/72 X

OTHER PUBLICATIONS

“Pony Steel Bar Clamp Fixtures” styles 50, 52 and 56. Publication source and date unknown.
 Bessey Steel Bar Clamp Fixture RS 75 instructions. Publication source and date unknown.
 Advertisement for Bessey Bar Clamps Styles 52, 53 and 56. Publication source and date unknown.
 Advertisement for Bessey Bar Clamps Styles 43 and 45. Publication source and date unknown.
 Advertisement for Gross Stabil Clamp. Publication source and date unknown.
 “Pony Clamp Fixtures” styles 50, 52, 53 and 56. Jorgensen Style 3500 Aluminum Bar Clamps, Jorgensen Style 7200 Steel I-Bar Clamps. Publication source and date unknown.

Primary Examiner—Martie Thompson
Attorney, Agent, or Firm—William Brinks Hofer Gilson & Lione

[57] **CLAIM**

The ornamental design for a pipe clamp, as shown and described.

DESCRIPTION

FIG. 1 is a perspective view of a pipe clamp showing our new design;
 FIG. 2 is a front elevational view;
 FIG. 3 is a right side elevational view;
 FIG. 4 is a rear elevational view;
 FIG. 5 is a top plan view;
 FIG. 6 is a bottom plan view;
 FIG. 7 is a left side elevational view; and,
 FIG. 8 is a right side elevational view of a second embodiment of our new design, the only difference being the parallel disposition of the screw.

1 Claim, 5 Drawing Sheets

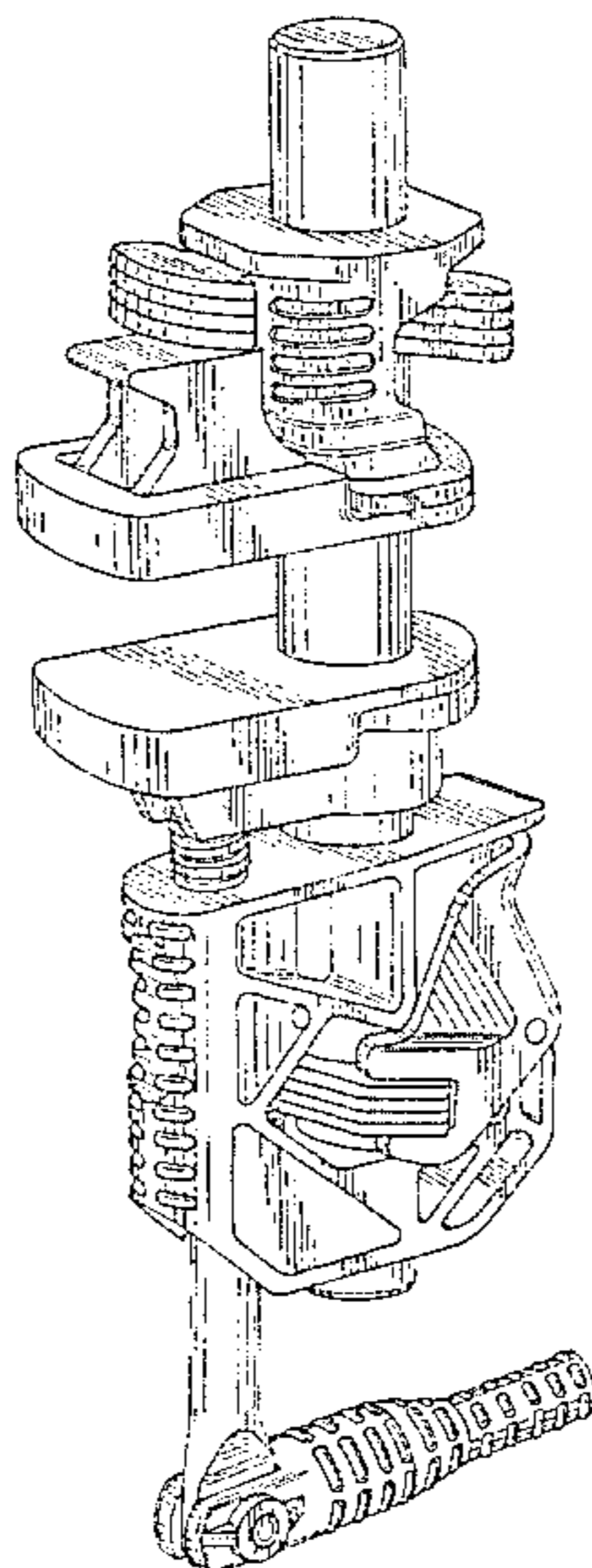
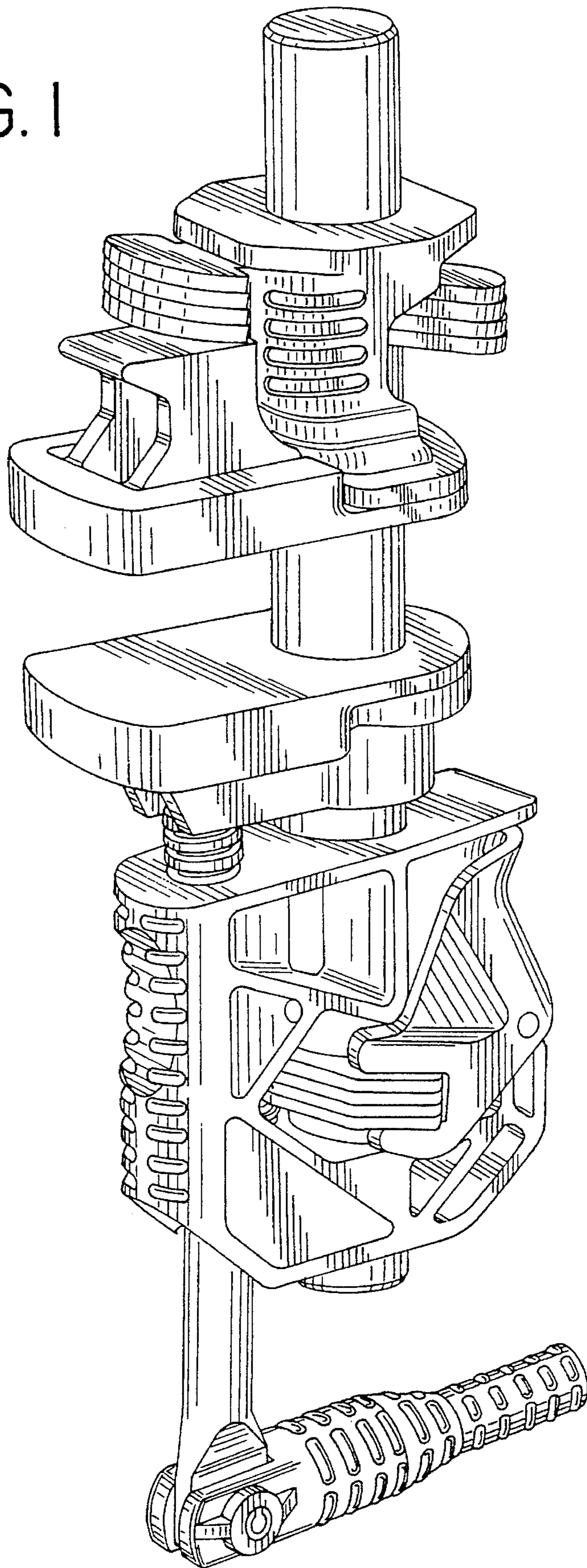


FIG. 1



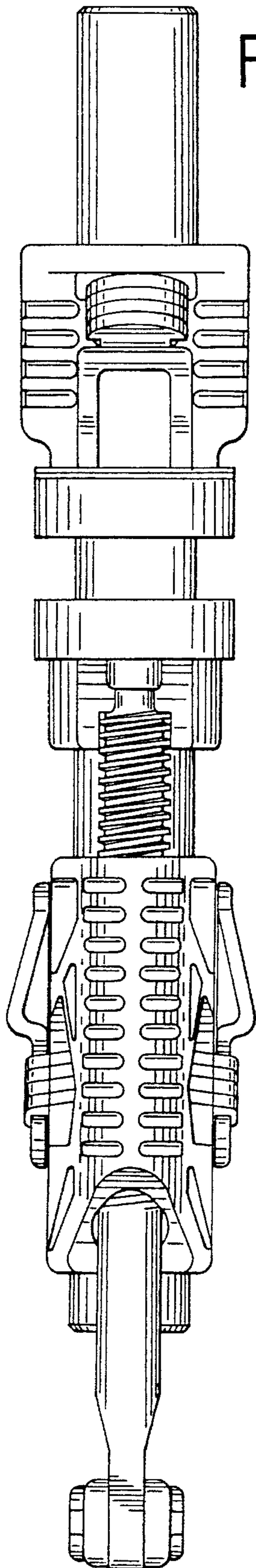


FIG. 2

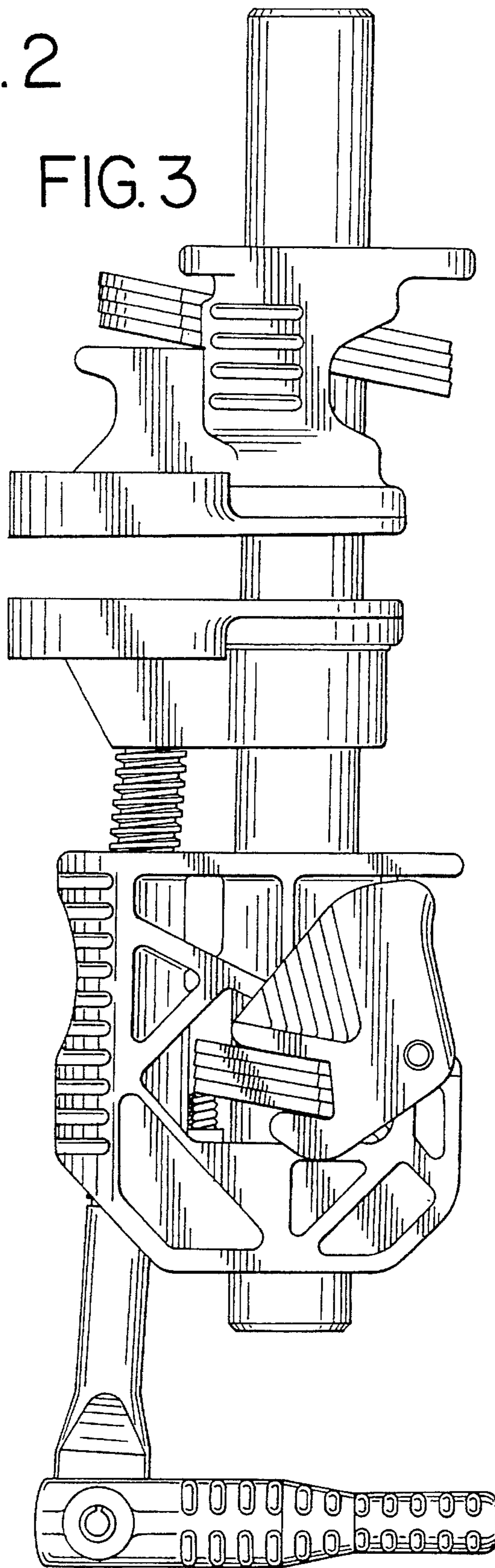


FIG. 3

FIG. 4

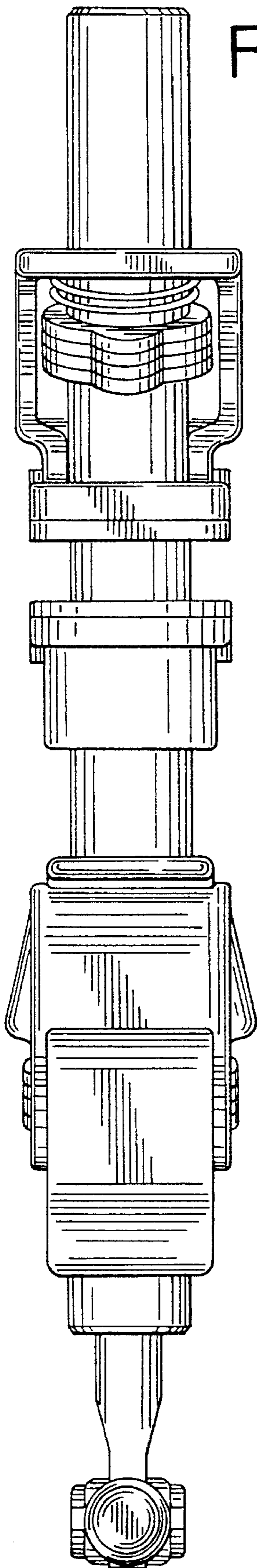


FIG. 5

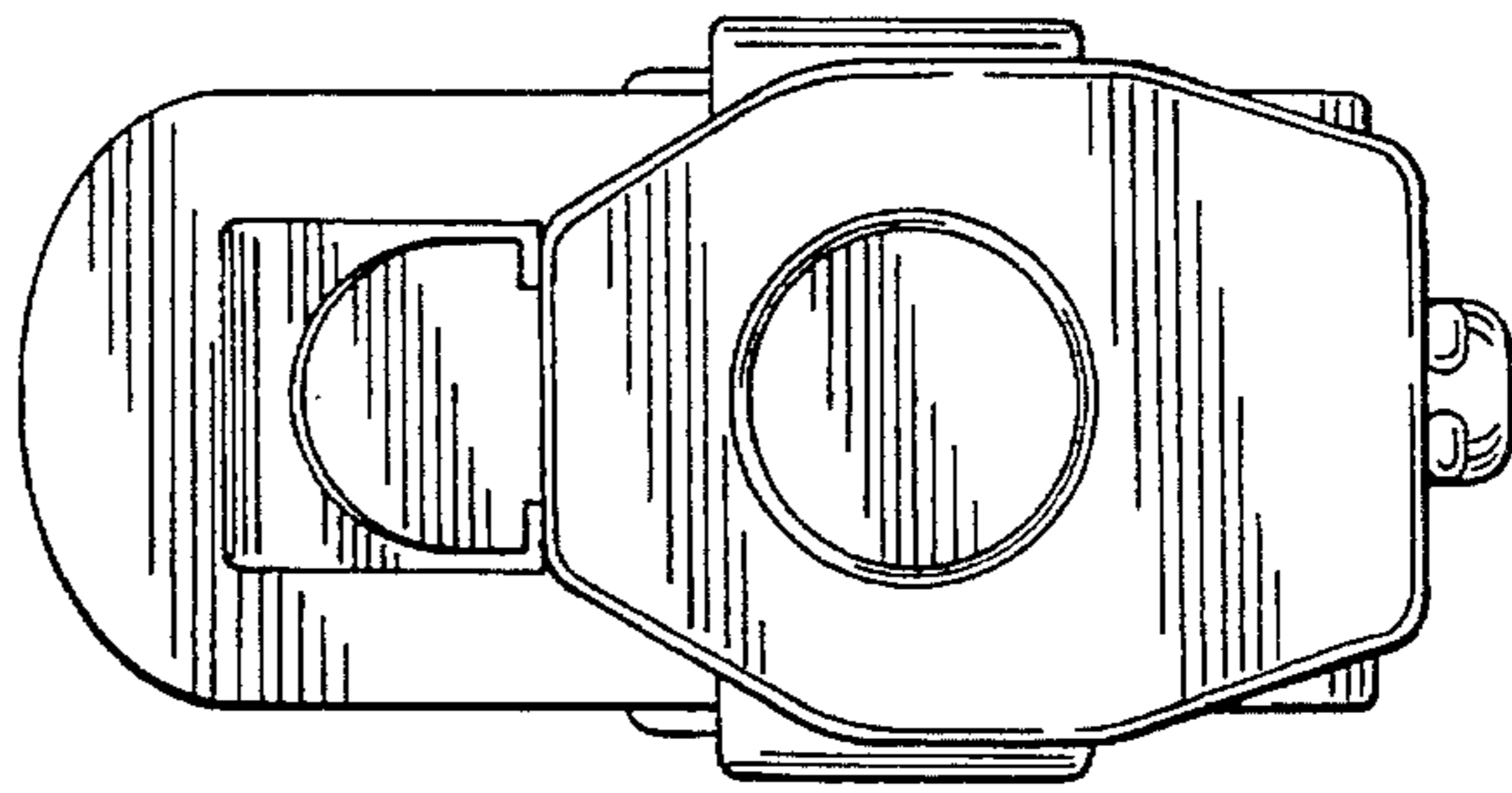


FIG. 6

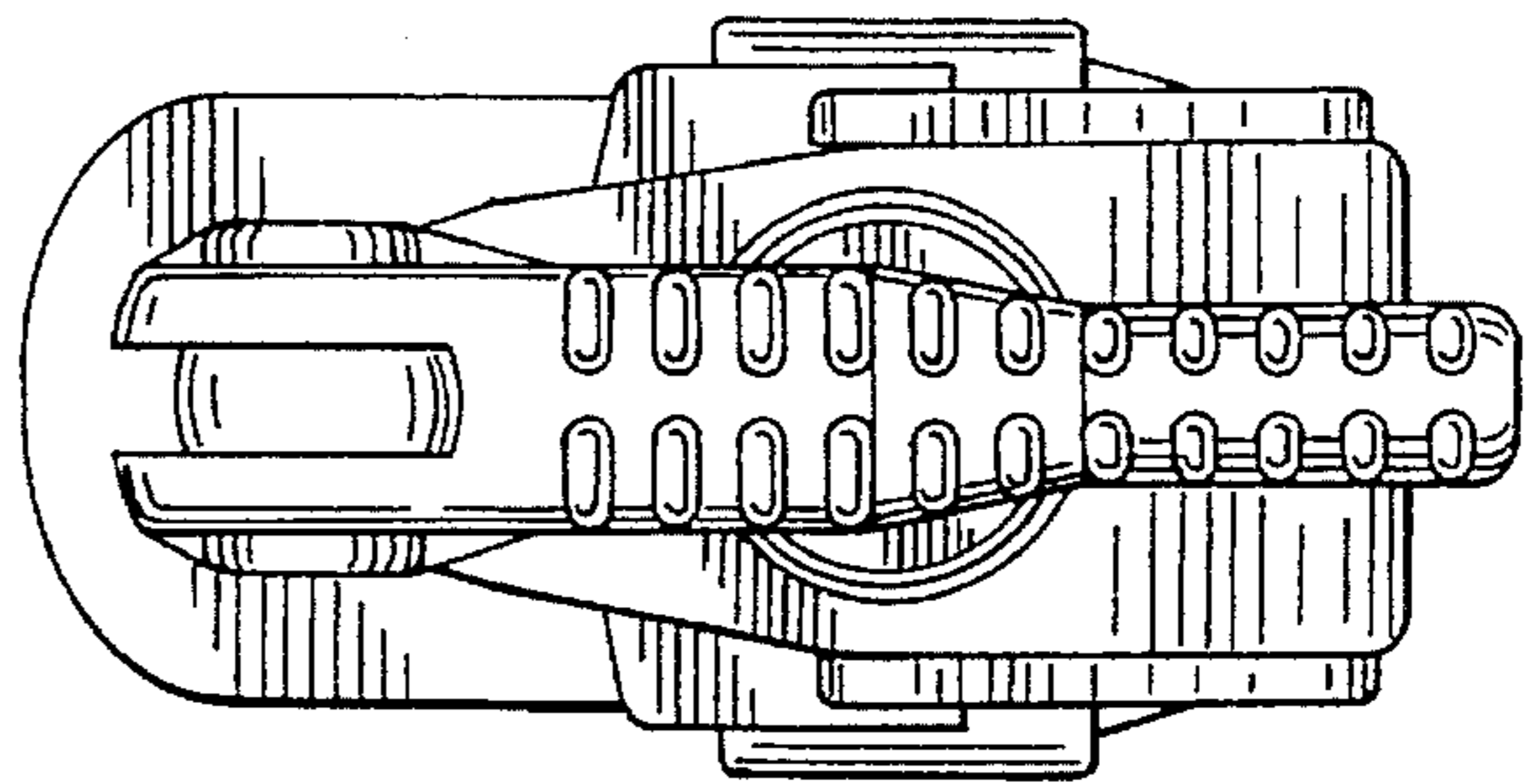


FIG. 7

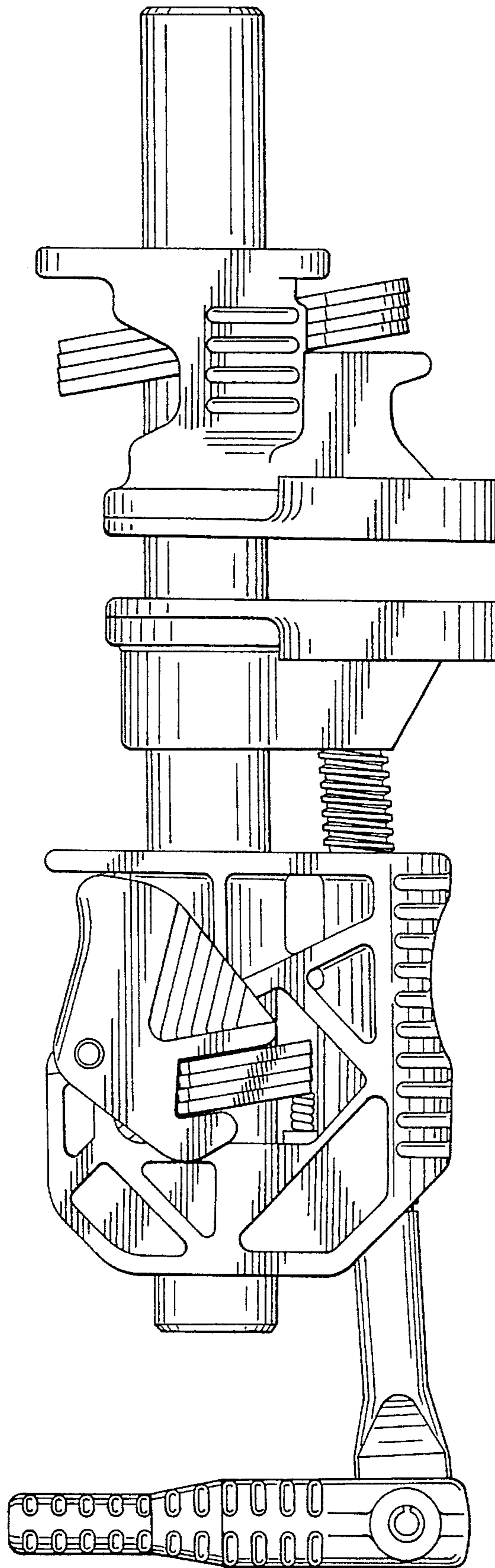
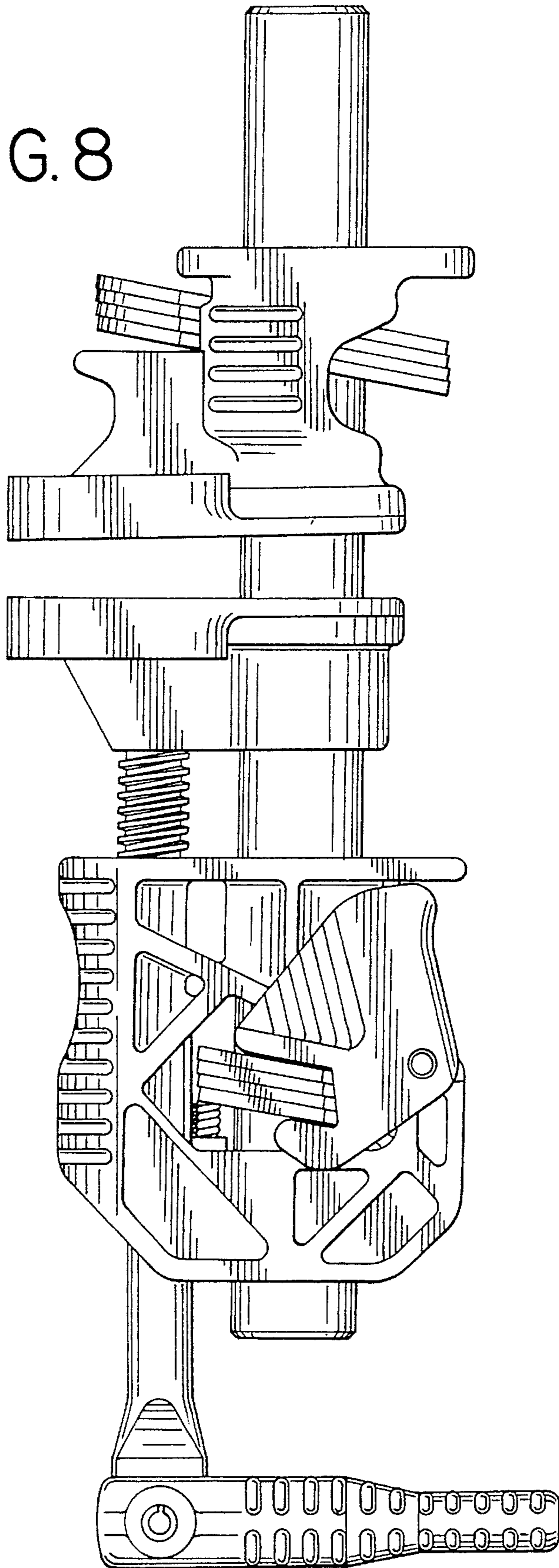


FIG. 8



UNITED STATES PATENT AND TRADEMARK OFFICE
CERTIFICATE OF CORRECTION

PATENT NO. : Des. 365,263
DATED : December 19, 1995
INVENTOR(S) : Joseph A. Sorensen et al. Page 1 of 2

It is certified that error appears in the above-identified patent and that said Letters Patent is hereby corrected as shown below:

On the Title Page

In column 1, please insert the following additional filing information:

--[73] Assignee: Petersen Manufacturing Co., Inc.
Dewitt, Nebr.--

Under the heading "Related U.S. Application Data", line 1, delete "17,194" and substitute "--29/017,194--".

Under the heading "OTHER PUBLICATIONS", line 11, delete "Jorgensen" and substitute "--Jorgensen--".

On the Title page, item [56];

Under the heading "OTHER PUBLICATIONS", line 12, delete "Clamps," and substitute "--Clamps.--".

Under the heading "OTHER PUBLICATIONS", line 12, delete "Jorgensen" and substitute "--Jorgensen--".

Under the heading "OTHER PUBLICATIONS", line 13, delete "Clamps," and substitute "--Clamps.--".

UNITED STATES PATENT AND TRADEMARK OFFICE
CERTIFICATE OF CORRECTION

PATENT NO. : Des. 365,263
DATED : December 19, 1995
INVENTOR(S) : Joseph A. Sorensen et al. Page 2 of 2

It is certified that error appears in the above-identified patent and that said Letters Patent is hereby corrected as shown below:

On the Title Page (Cont.)

Under the heading "CLAIM", line 1, after "clamp"
delete --,--.

Signed and Sealed this
Twenty-ninth Day of October 1996

Attest:



BRUCE LEHMAN

Attesting Officer

Commissioner of Patents and Trademarks