



US00D365262S

# United States Patent [19]

[11] **Patent Number:** **Des. 365,262**

**Beaulieu et al.**

[45] **Date of Patent:** **\*\*Dec. 19, 1995**

[54] **CHAINSAW HOUSING**

[75] Inventors: **Kevin F. Beaulieu; Paul A. Warfel**,  
both of Shreveport, La.

[73] Assignee: **WCI Outdoor Products, Inc.**,  
Cleveland, Ohio

[\*\*] Term: **14 Years**

[21] Appl. No.: **29,935**

[22] Filed: **Oct. 19, 1994**

[52] U.S. Cl. .... **D8/65**

[58] Field of Search ..... D8/61, 65, 69;  
D15/1; 30/381, 383; 83/788, 814

[56] **References Cited**

**U.S. PATENT DOCUMENTS**

D. 203,923	2/1966	Whitehead, Sr. et al. ....	D8/65
D. 348,192	6/1994	Griffin .....	D8/65
D. 350,680	9/1994	Berfield et al. ....	D8/65
4,630,372	12/1986	Nagashima .....	30/381

*Primary Examiner*—Alan P. Douglas  
*Assistant Examiner*—Robert M. Spear  
*Attorney, Agent, or Firm*—Pearne, Gordon, McCoy & Granger

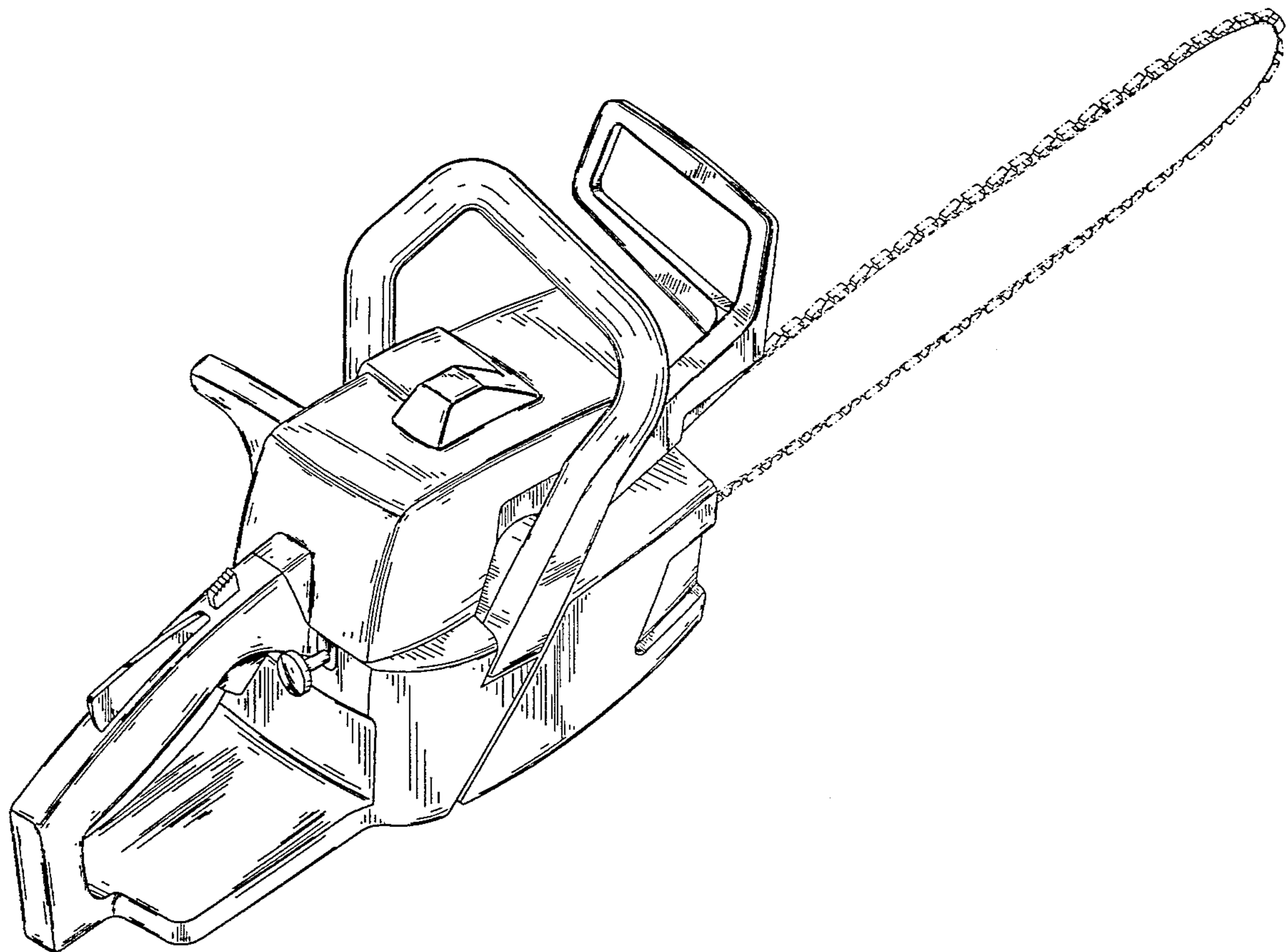
[57] **CLAIM**

The ornamental design for a chainsaw housing, as shown and described.

**DESCRIPTION**

FIG. 1 is a front perspective view of a chainsaw housing, showing our new design;  
FIG. 2 is a right side elevational view thereof;  
FIG. 3 is a left side elevational view thereof;  
FIG. 4 is a top plan view thereof;  
FIG. 5 is a bottom plan view thereof;  
FIG. 6 is a front elevational view thereof; and,  
FIG. 7 is a back elevational view thereof.  
The broken line showing of a chain saw blade is for illustrative purposes only and forms no part of the claimed design.

**1 Claim, 6 Drawing Sheets**



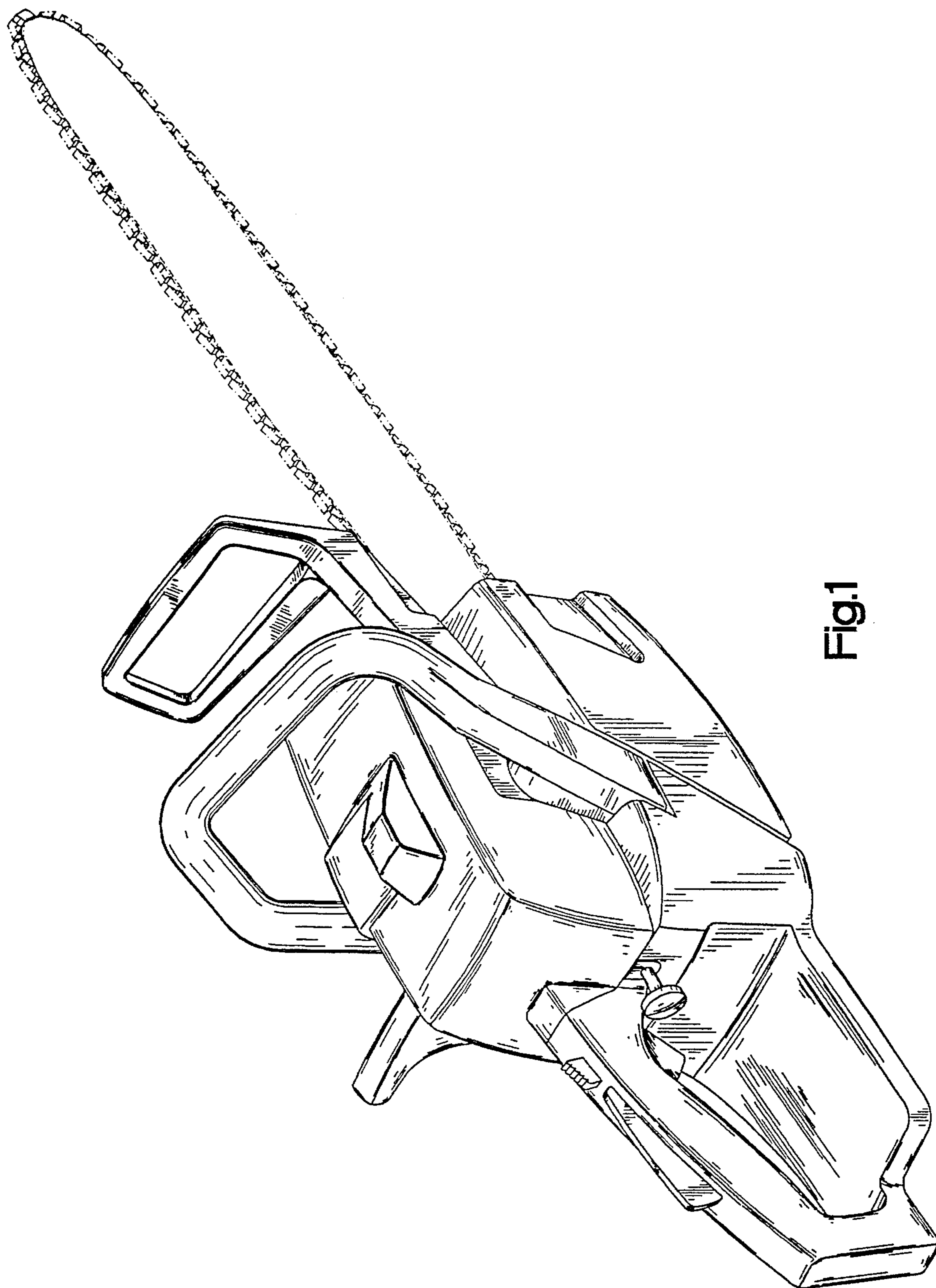


Fig.1

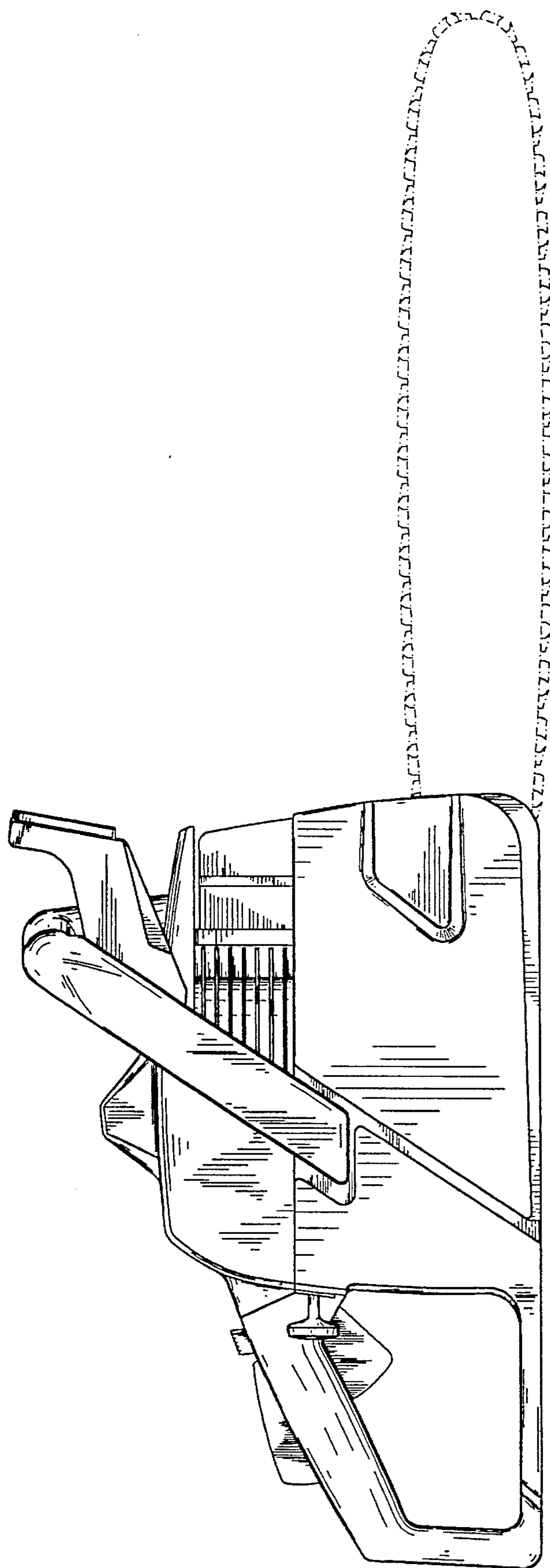


Fig.2

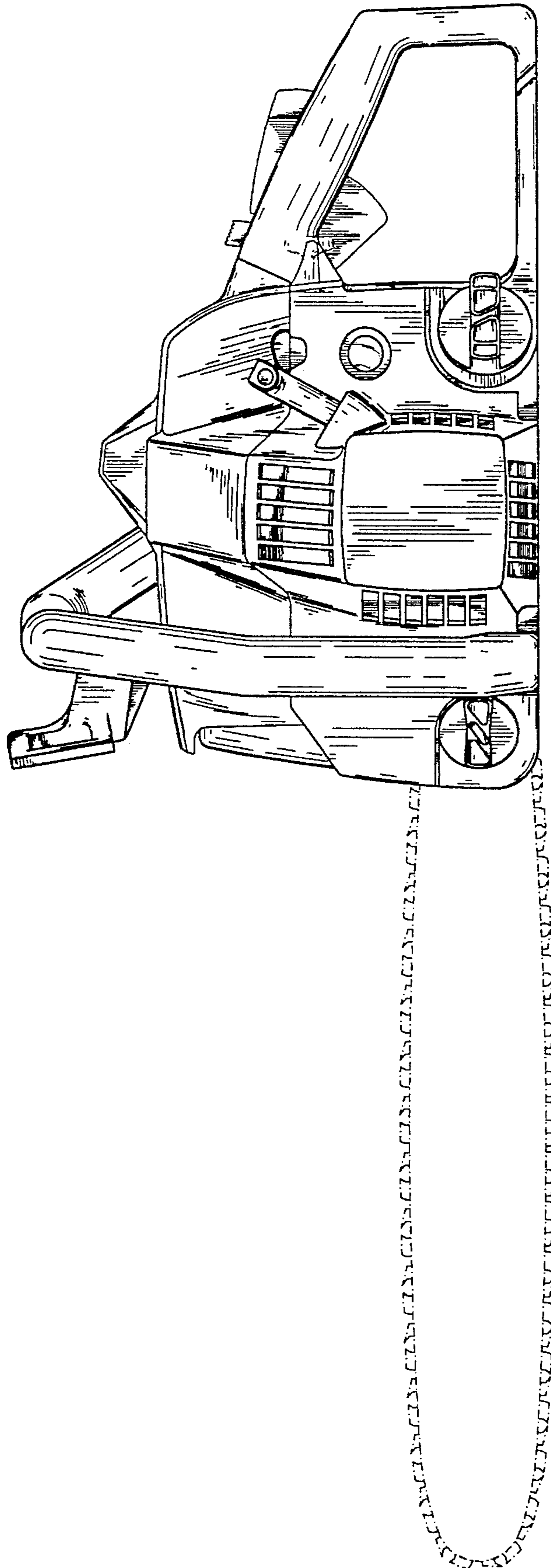


Fig.3

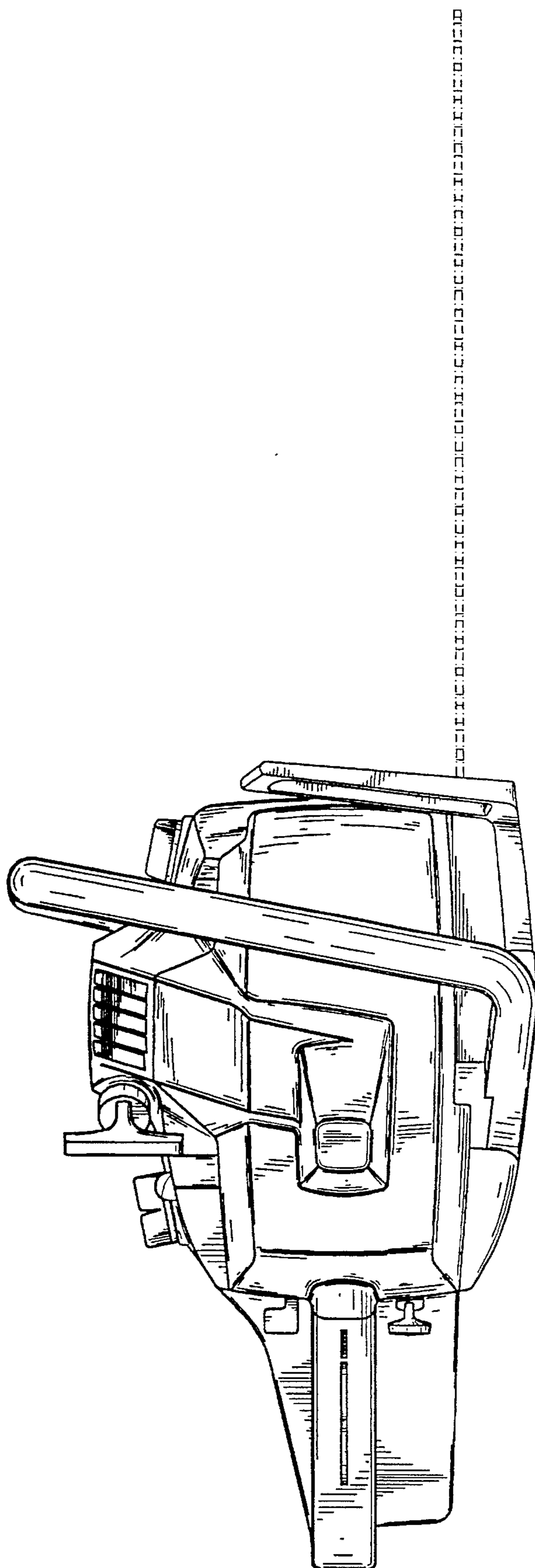


Fig.4

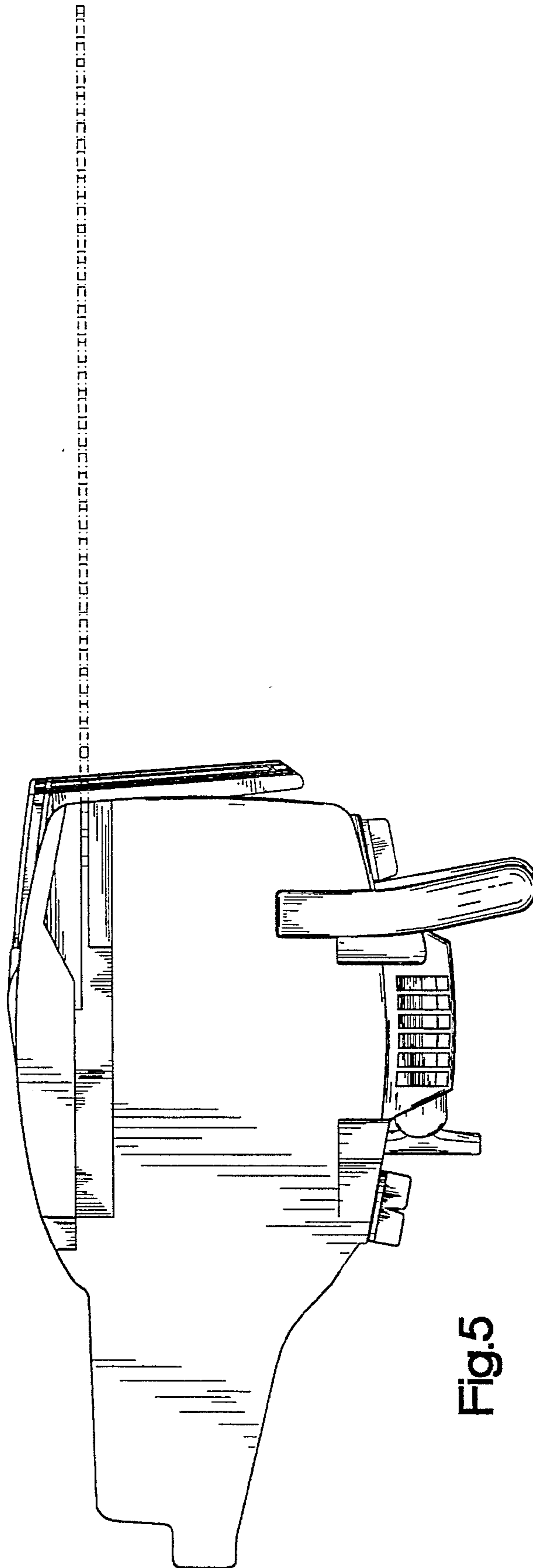


Fig.5

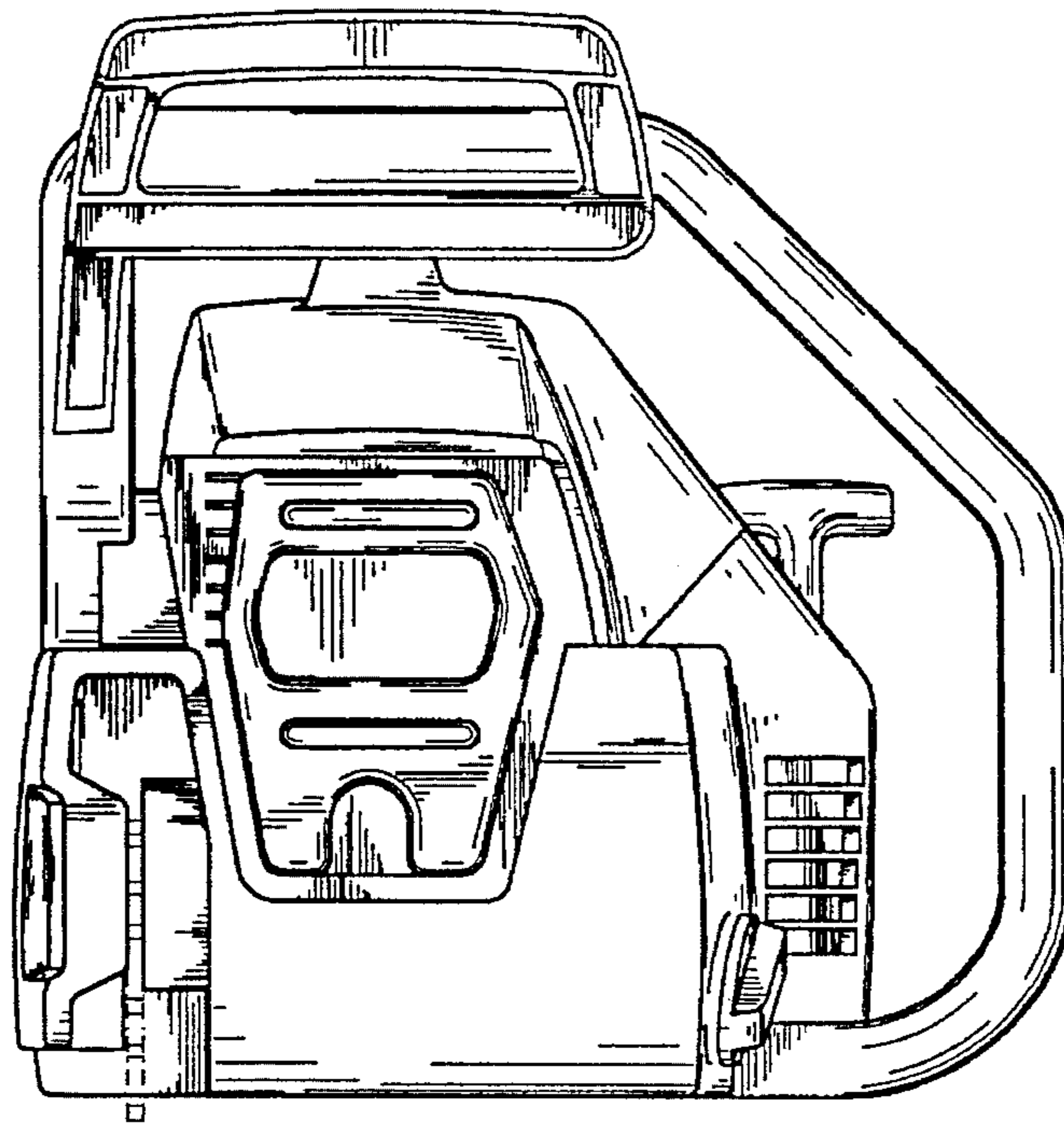


Fig.6

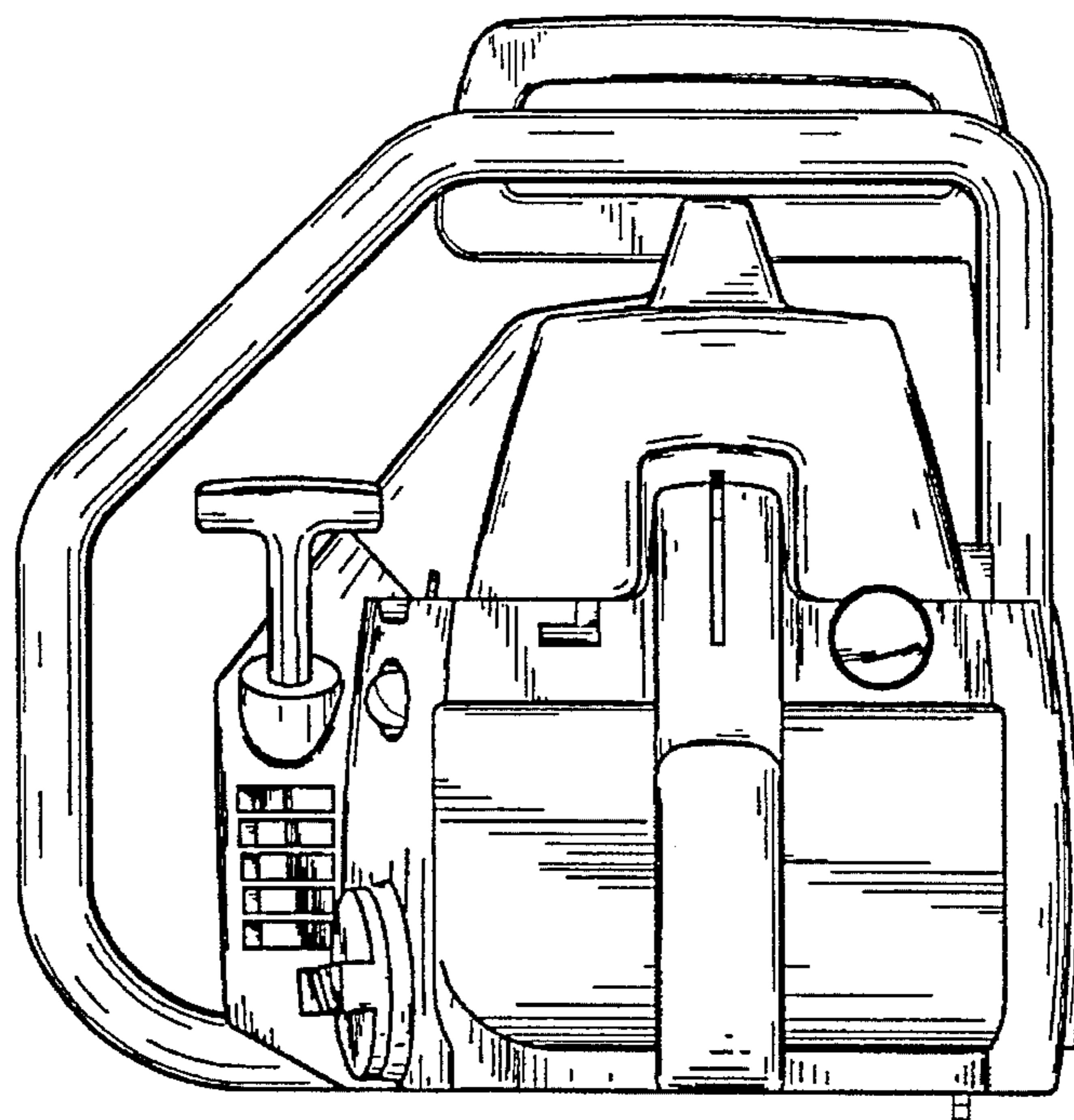


Fig.7