



US00D365260S

United States Patent [19]
Austinson et al.

[11] **Patent Number: Des. 365,260**
[45] **Date of Patent: **Dec. 19, 1995**

[54] **TOOL FOR BENDING REBAR**

FOREIGN PATENT DOCUMENTS

[76] Inventors: **Mark E. Austinson**, 62 NW. Birdsdale,
Gresham, Oreg. 97010; **Craig G.**
Austinson, 7930 SE. Clark, Gresham,
Oreg. 97080

658003 10/1951 United Kingdom 72/389

Primary Examiner—Ted Shooman
Assistant Examiner—Richelle Shelton
Attorney, Agent, or Firm—Olson & Olson

[**] Term: **14 Years**

[57] **CLAIM**

[21] Appl. No.: **26,699**

The ornamental design for a tool for bending rebar, as shown and described.

[22] Filed: **Aug. 4, 1994**

[52] **U.S. Cl.** **D8/32**

DESCRIPTION

[58] **Field of Search** D8/14, 32, 51;
72/389

FIG. 1 is a front elevation view of a tool for bending rebar showing our new design;

FIG. 2 is a rear elevation view thereof;

FIG. 3 is a left side elevation view thereof;

FIG. 4 is a right side elevation view thereof;

FIG. 5 is a top plan view thereof; and,

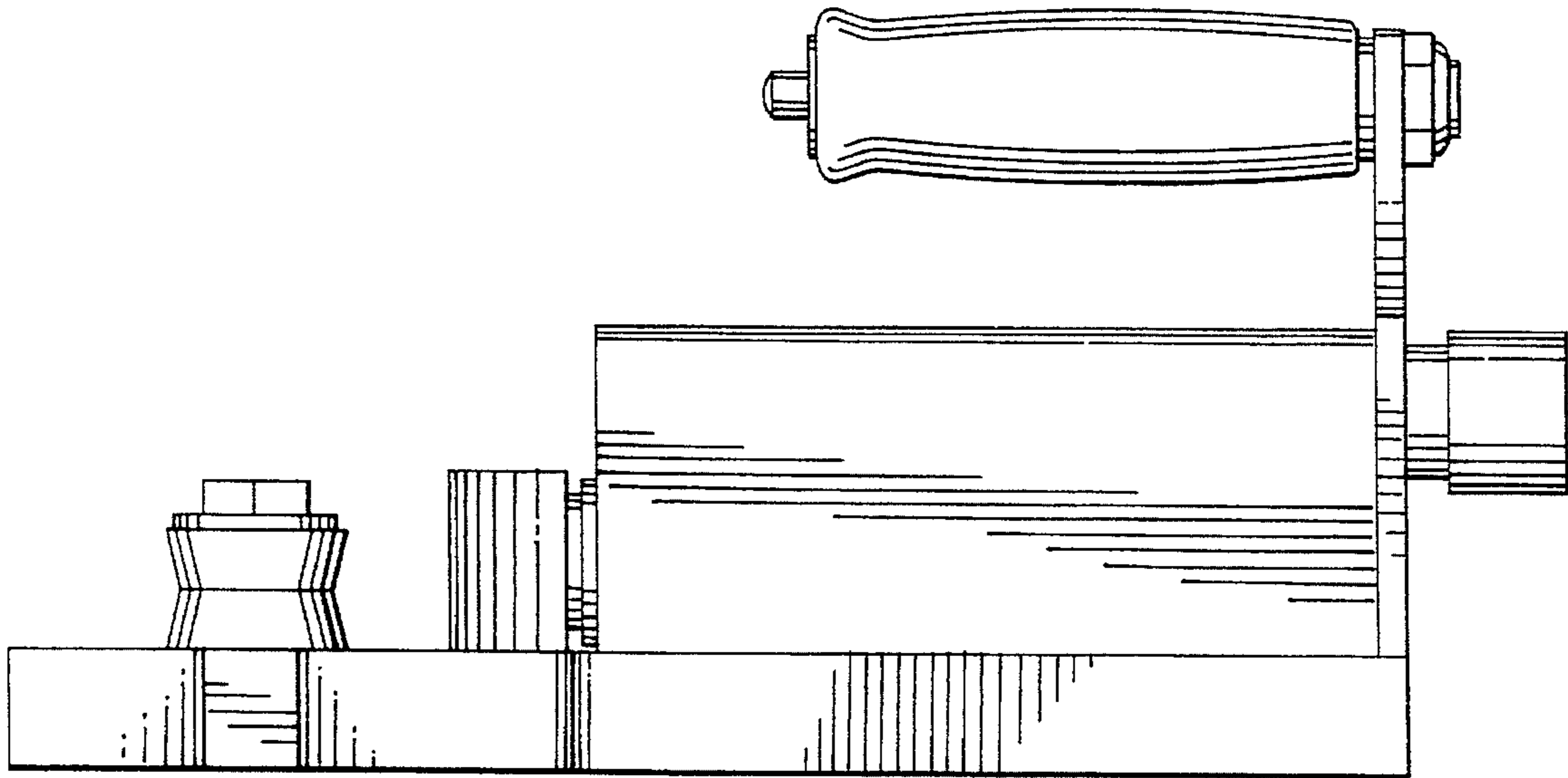
FIG. 6 is a bottom plan view thereof.

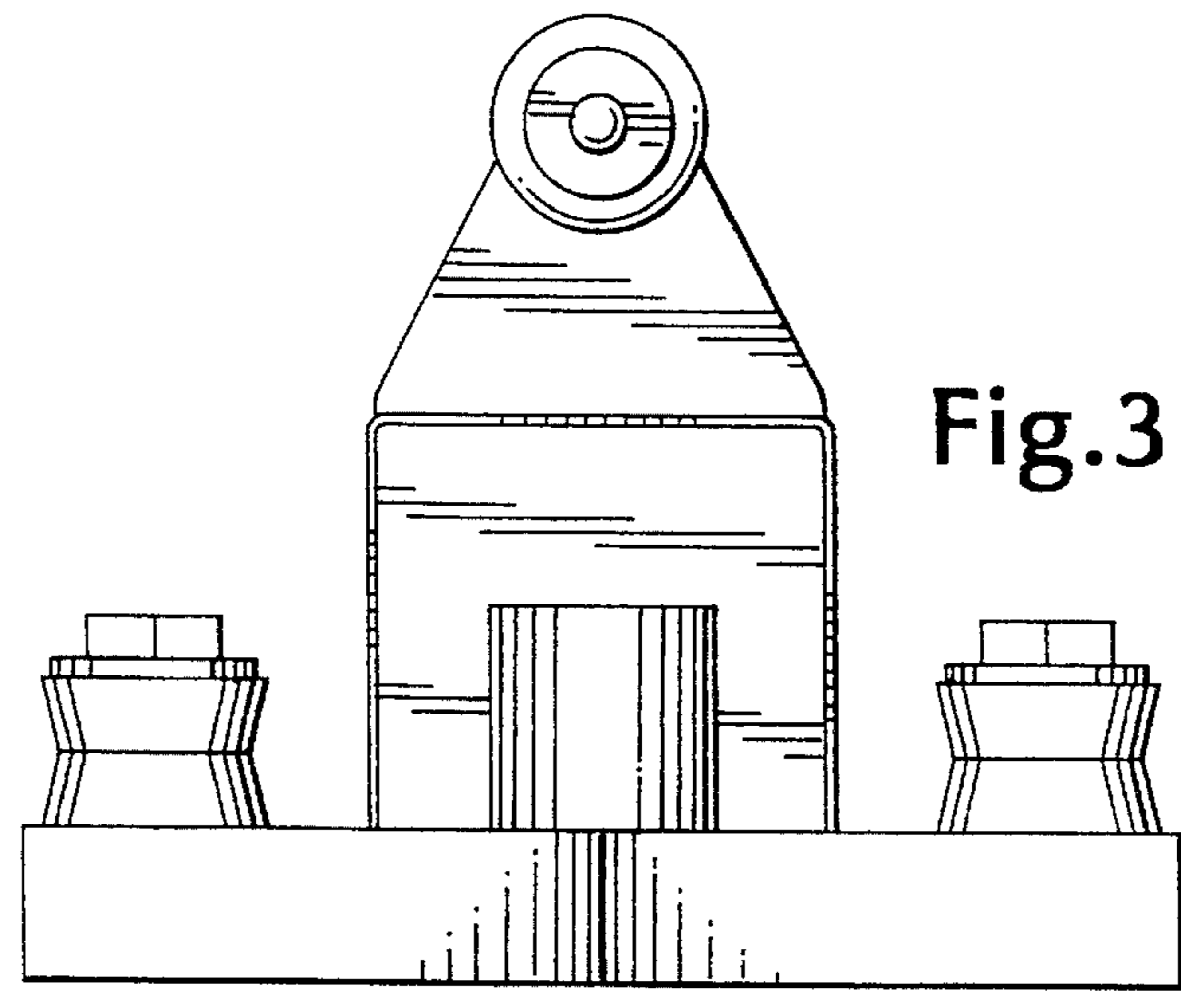
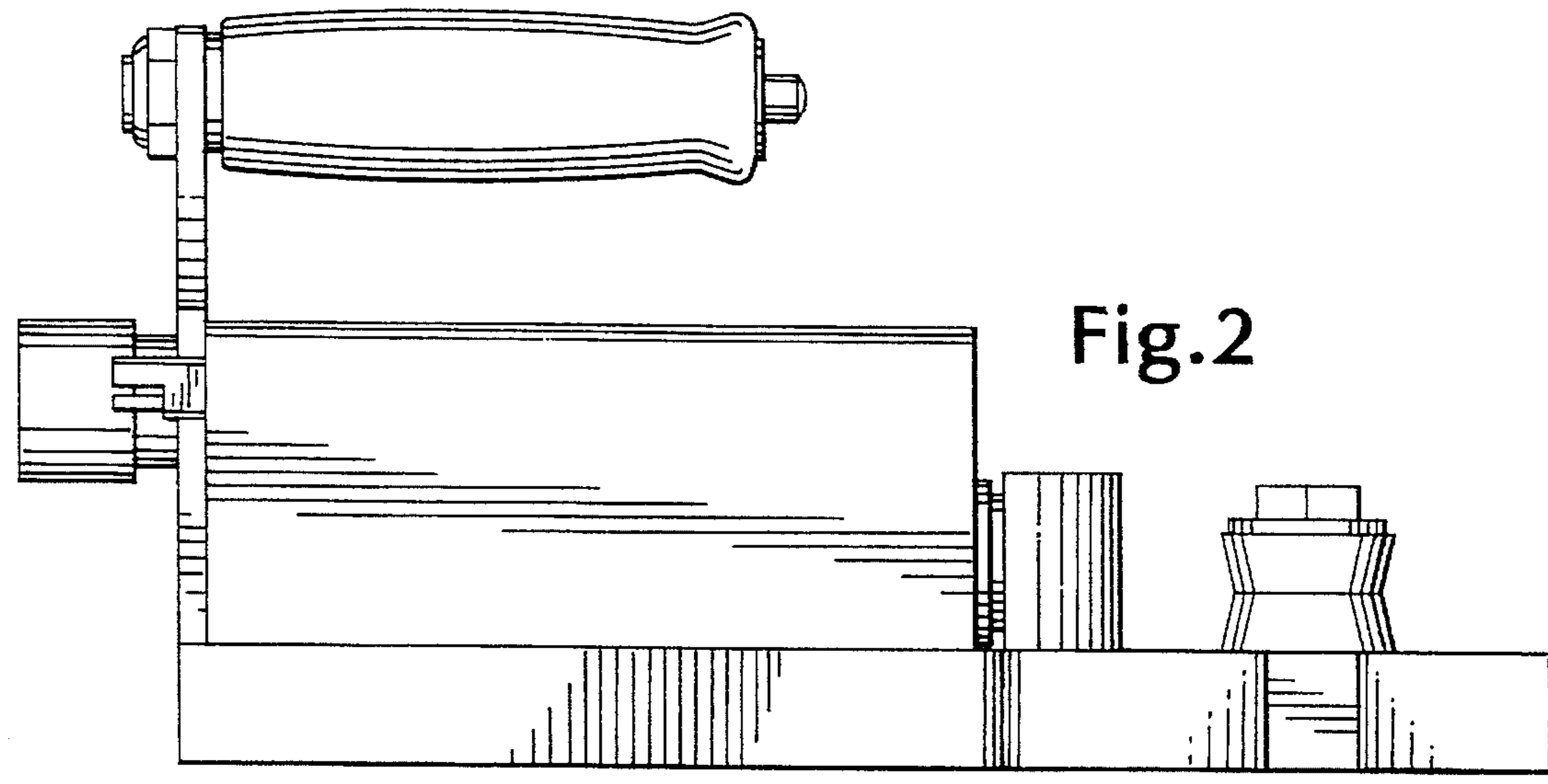
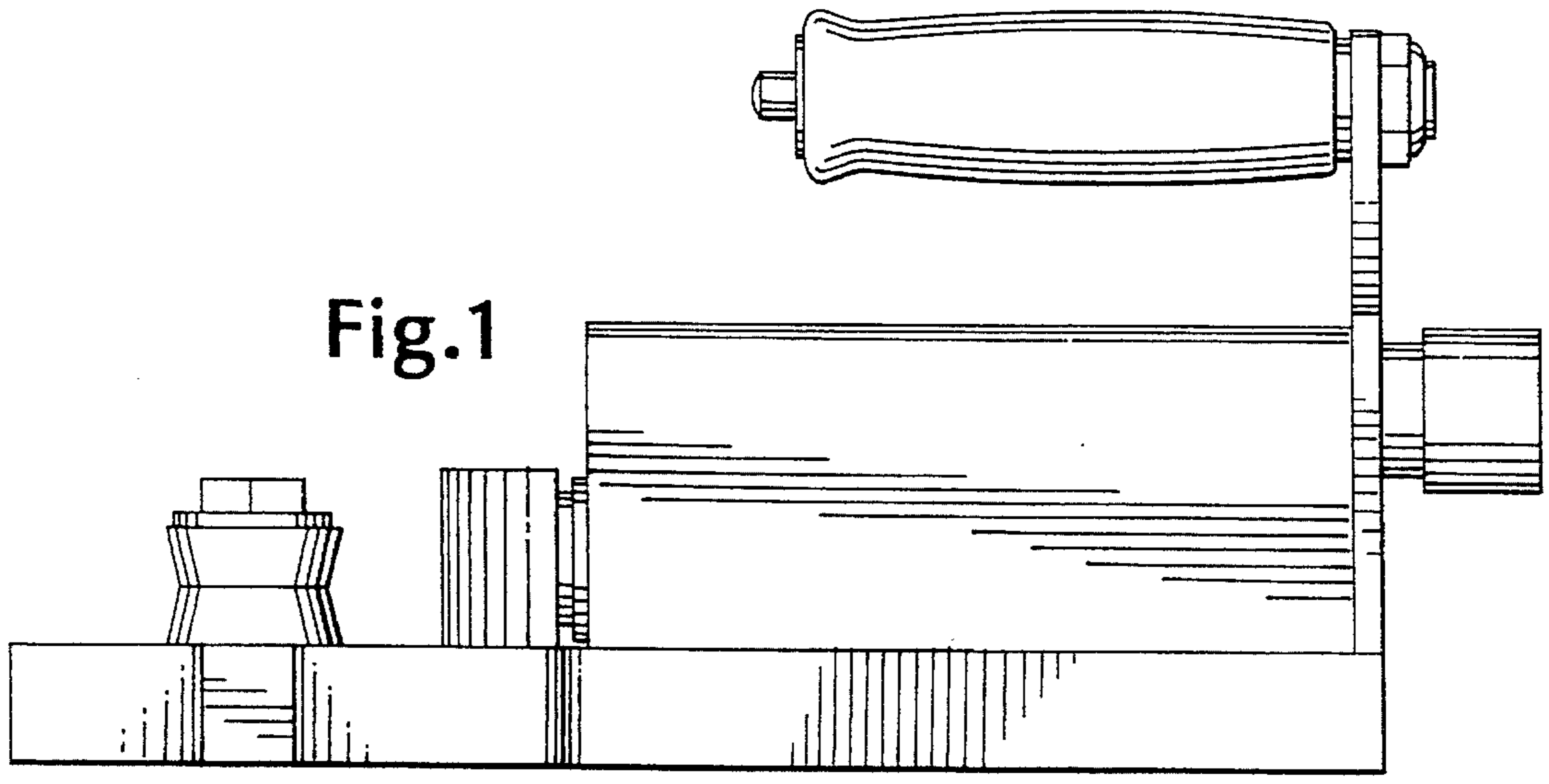
[56] **References Cited**

U.S. PATENT DOCUMENTS

D. 240,005	5/1976	Humphreys	D8/32
4,077,249	3/1978	Schmitter	72/389
4,594,875	6/1986	Schmitter	72/389
4,989,441	2/1991	Wagner	72/389

1 Claim, 2 Drawing Sheets





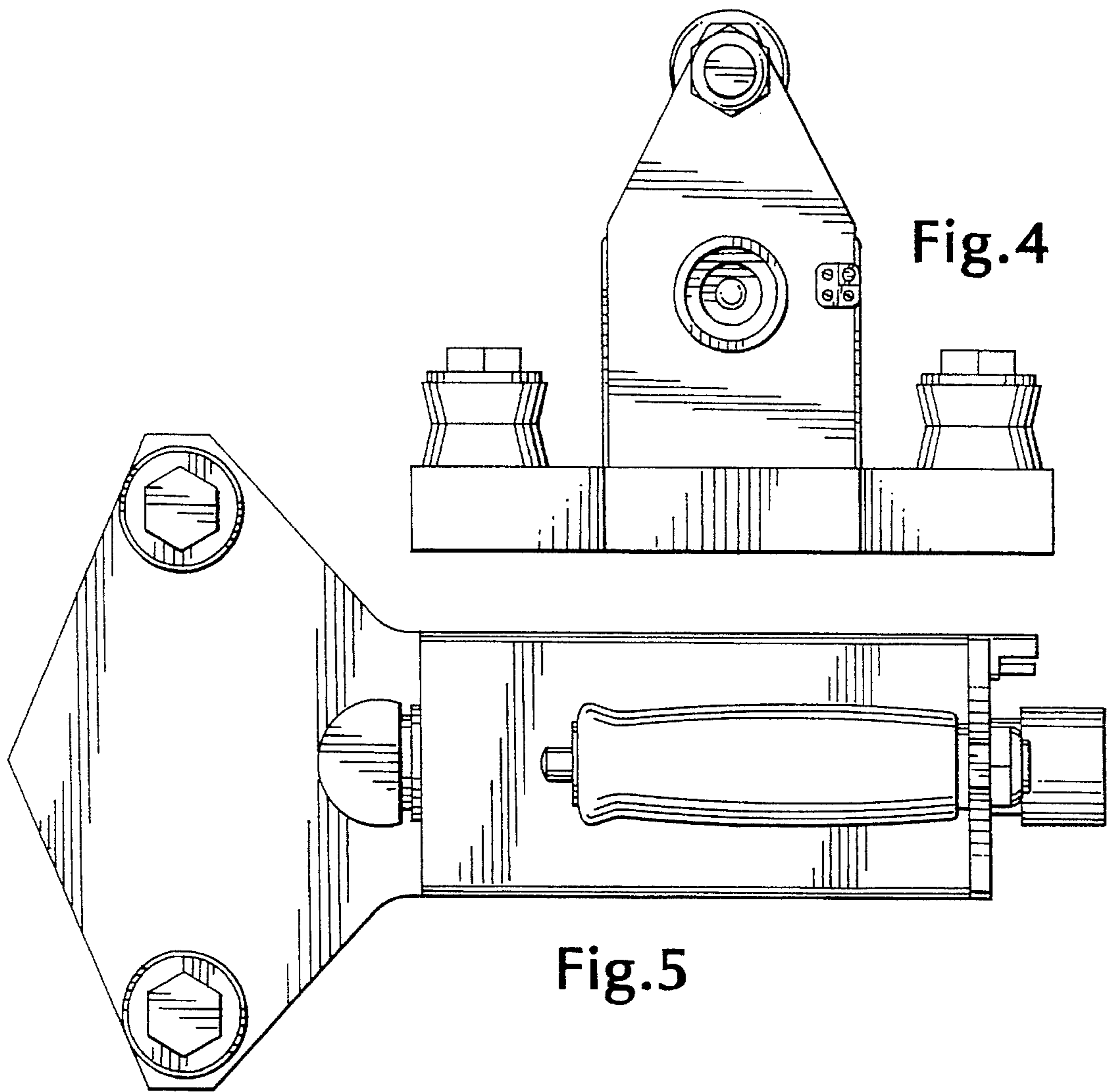


Fig.4

Fig.5

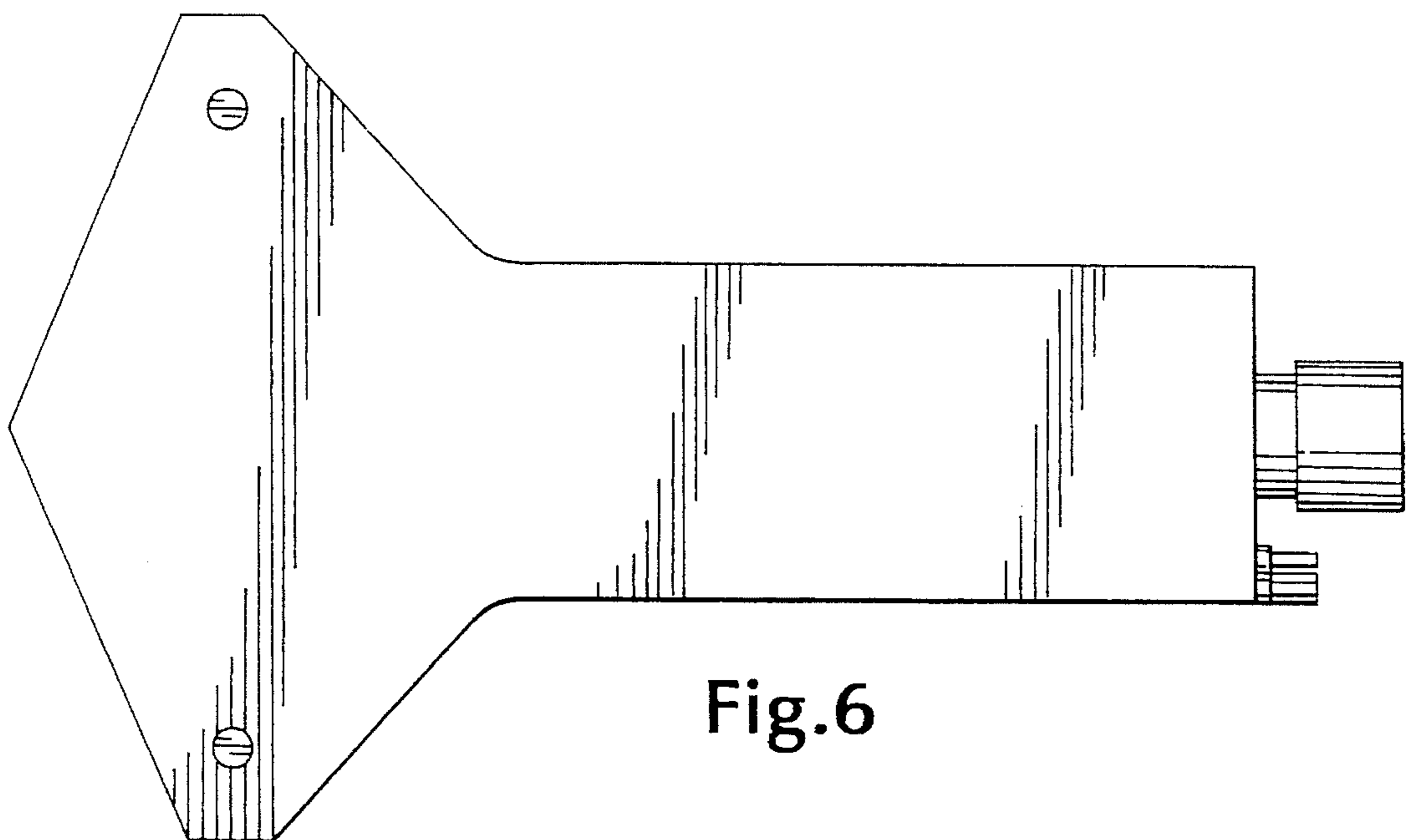


Fig.6