



US00D365258S

United States Patent [19]
Lambroschino

[11] **Patent Number:** **Des. 365,258**
[45] **Date of Patent:** ****Dec. 19, 1995**

[54] **HANDLE ATTACHMENT FOR A RAKE**

[76] **Inventor:** **Richard A. Lambroschino**, 61 Sylvan Pl., Nutley, N.J. 07110

[**] **Term:** **14 Years**

[21] **Appl. No.:** **25,093**

[22] **Filed:** **Jun. 27, 1994**

[52] **U.S. Cl.** **D8/13**

[58] **Field of Search** D13/13, 107; 81/489; 7/167; 56/400.01, 400.03-400.21; 294/58

4,286,893	9/1981	Pomares .	
4,366,078	9/1969	Sholund	294/58
4,537,433	8/1985	Yang	294/58
5,060,343	10/1991	Nisenbaum .	
5,133,177	7/1992	Miller .	
5,165,144	11/1992	Nisenbaum .	

Primary Examiner—A. Hugo Word
Assistant Examiner—Holly H. Baynham

[57] **CLAIM**

The ornamental design for the handle attachment for a rake, as shown and described.

DESCRIPTION

FIG. 1 is a front elevational view of the handle attachment for a rake showing my new design;
FIG. 2 is a rear elevational view thereof;
FIG. 3 is a left side elevational view thereof;
FIG. 4 is a right side elevational view thereof;
FIG. 5 is a top plan view thereof; and,
FIG. 6 is a bottom plan view thereof.

1 Claim, 3 Drawing Sheets

[56] **References Cited**

U.S. PATENT DOCUMENTS

D. 208,997	10/1967	Anderson	D8/107
D. 322,022	12/1991	Cunningham et al. .	
D. 347,986	6/1994	Booth	D8/107
1,524,168	1/1925	Burns	294/58
3,107,937	10/1963	Duppengiesser	D8/107 X
3,155,414	11/1964	Bales	294/58
4,155,582	5/1979	Reisner	294/58

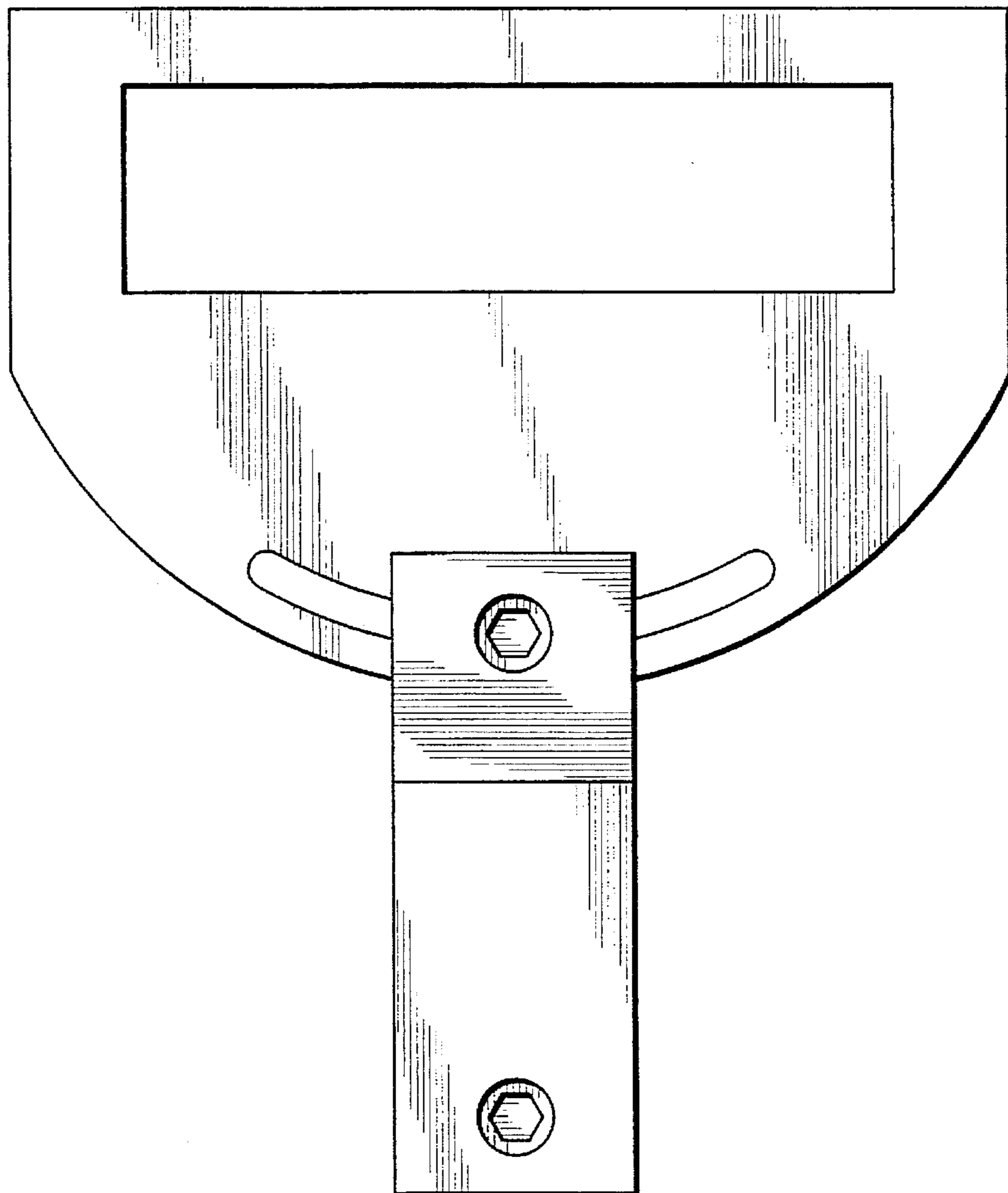


FIG. 1

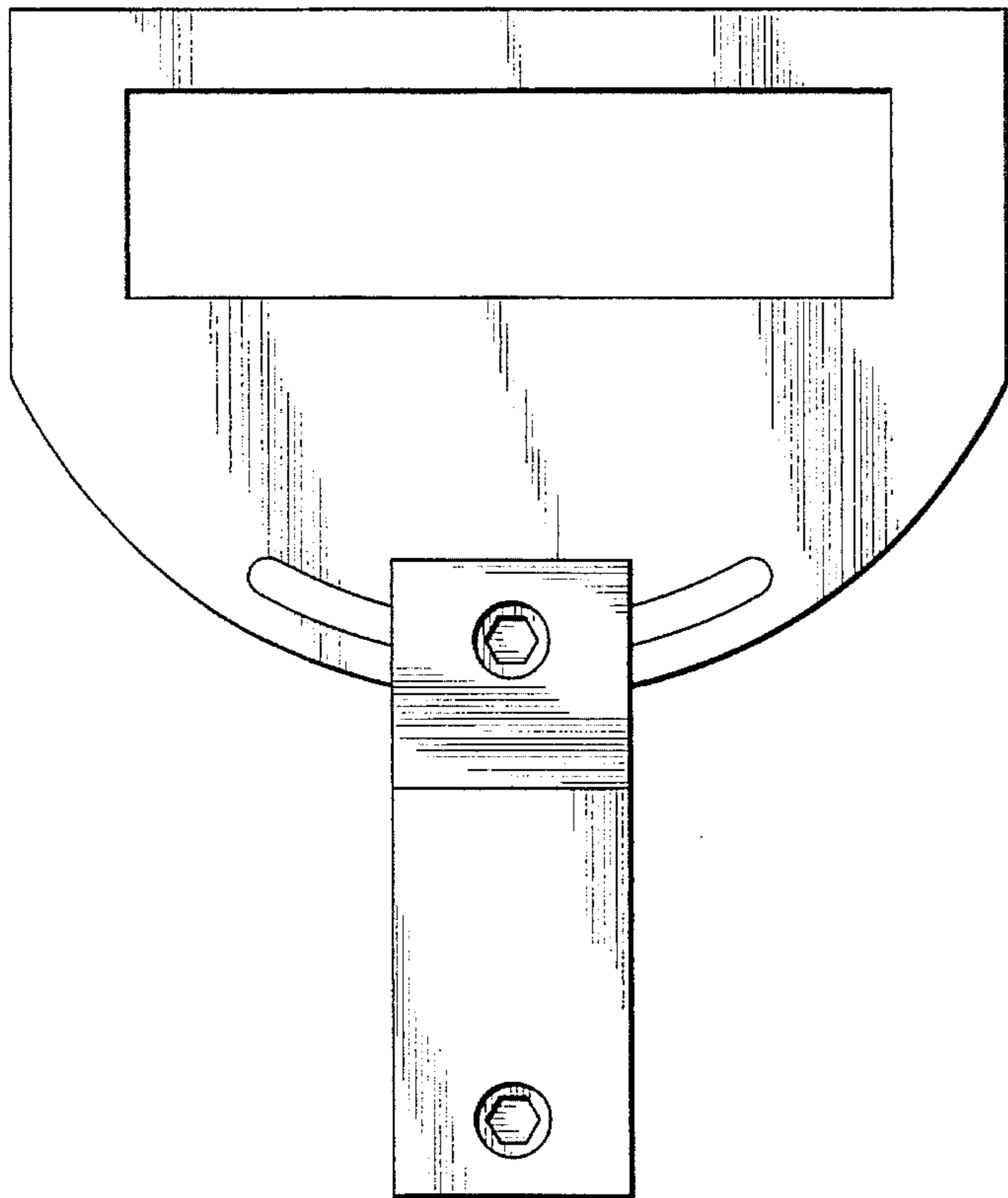


FIG. 2

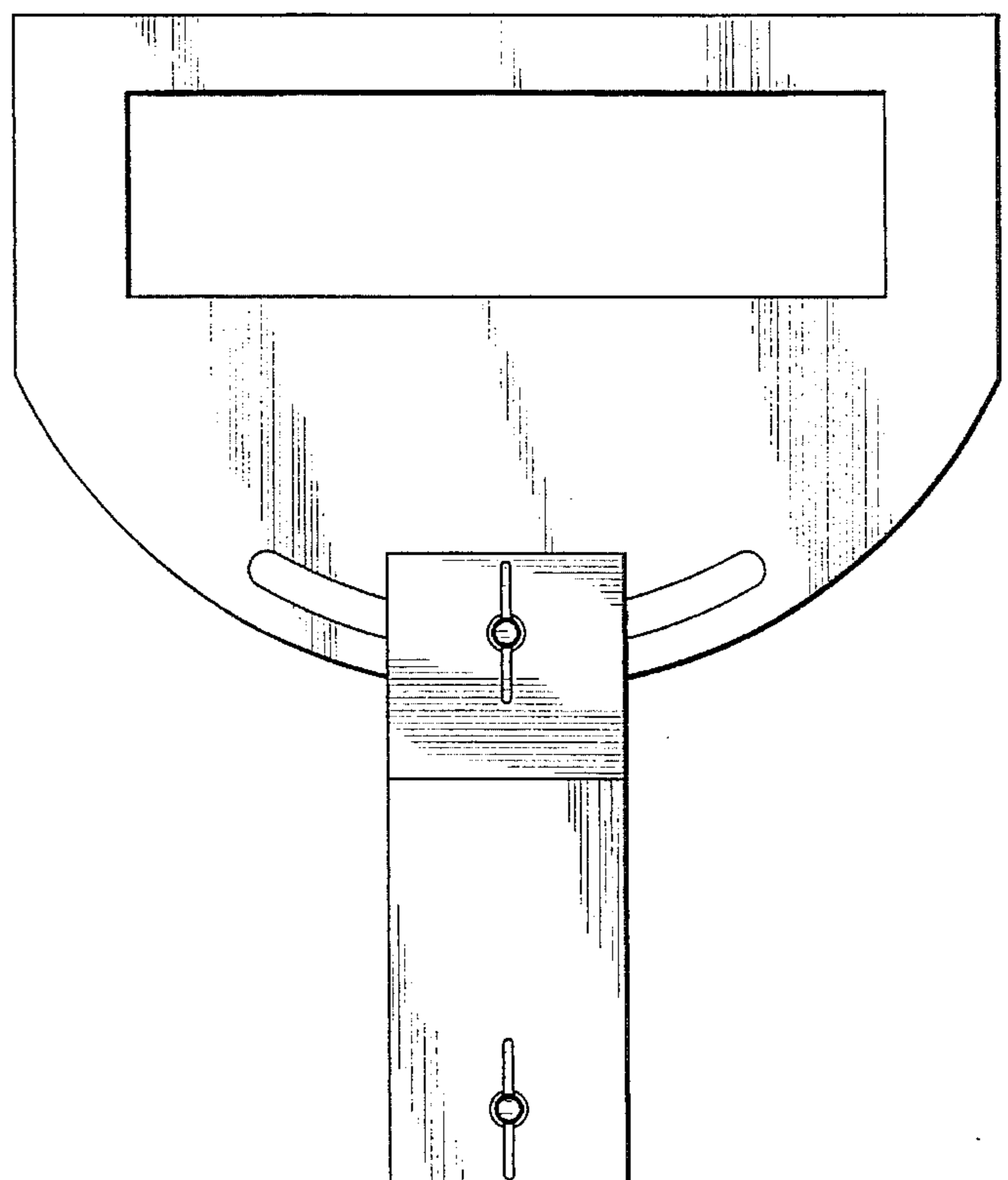


FIG. 3

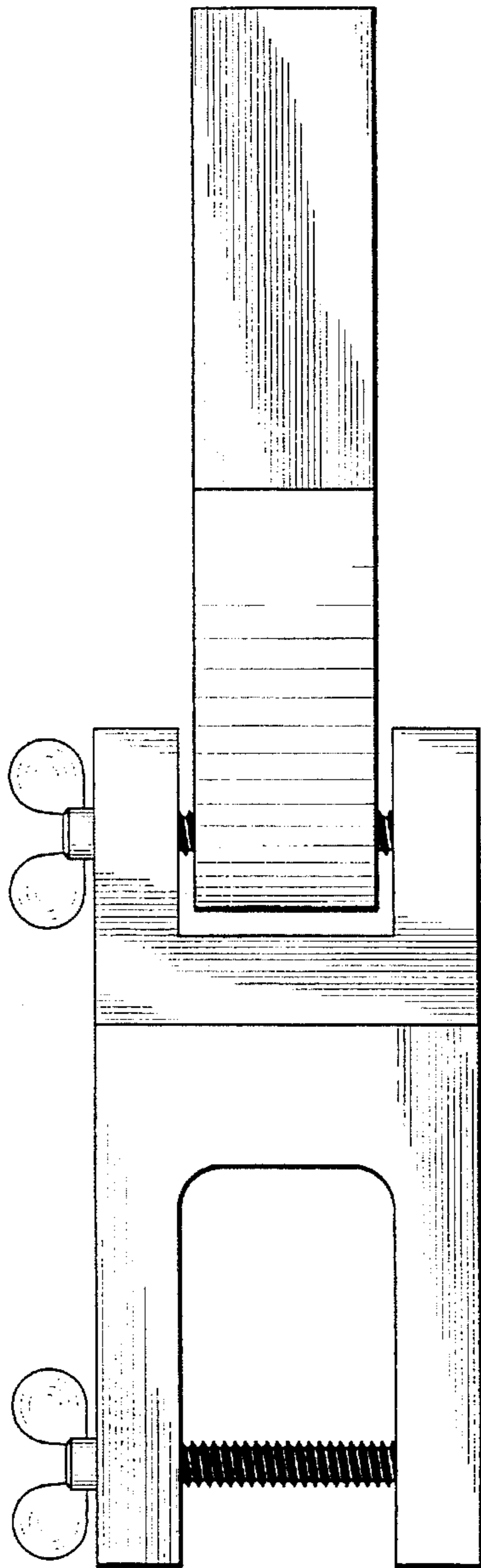


FIG. 4

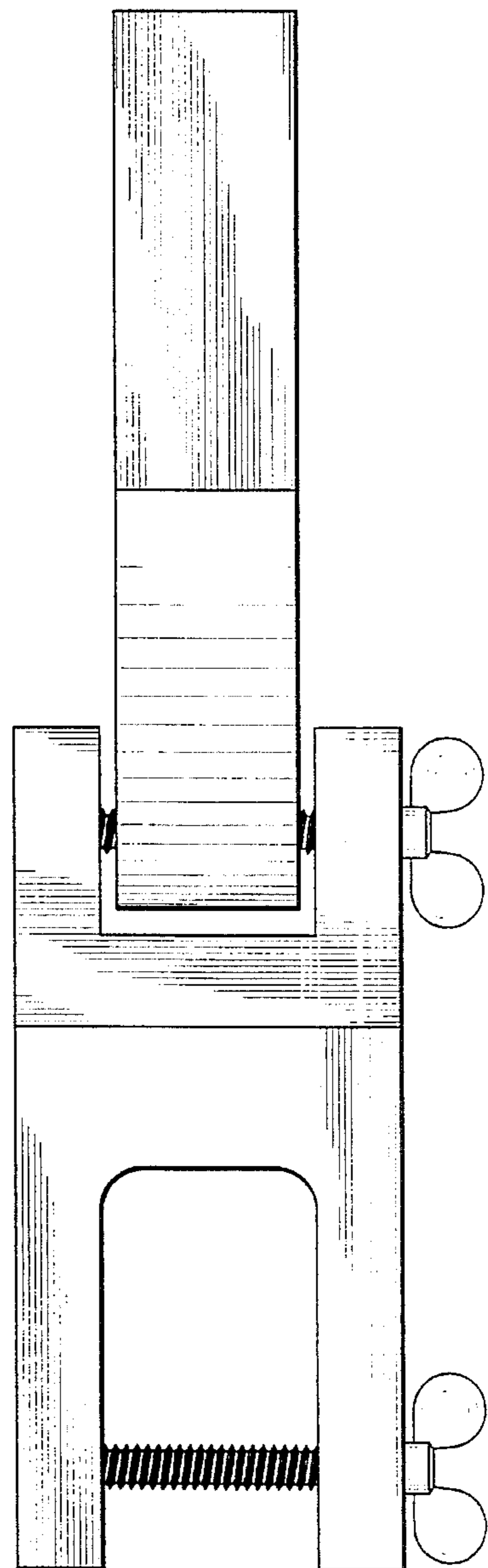


FIG. 5

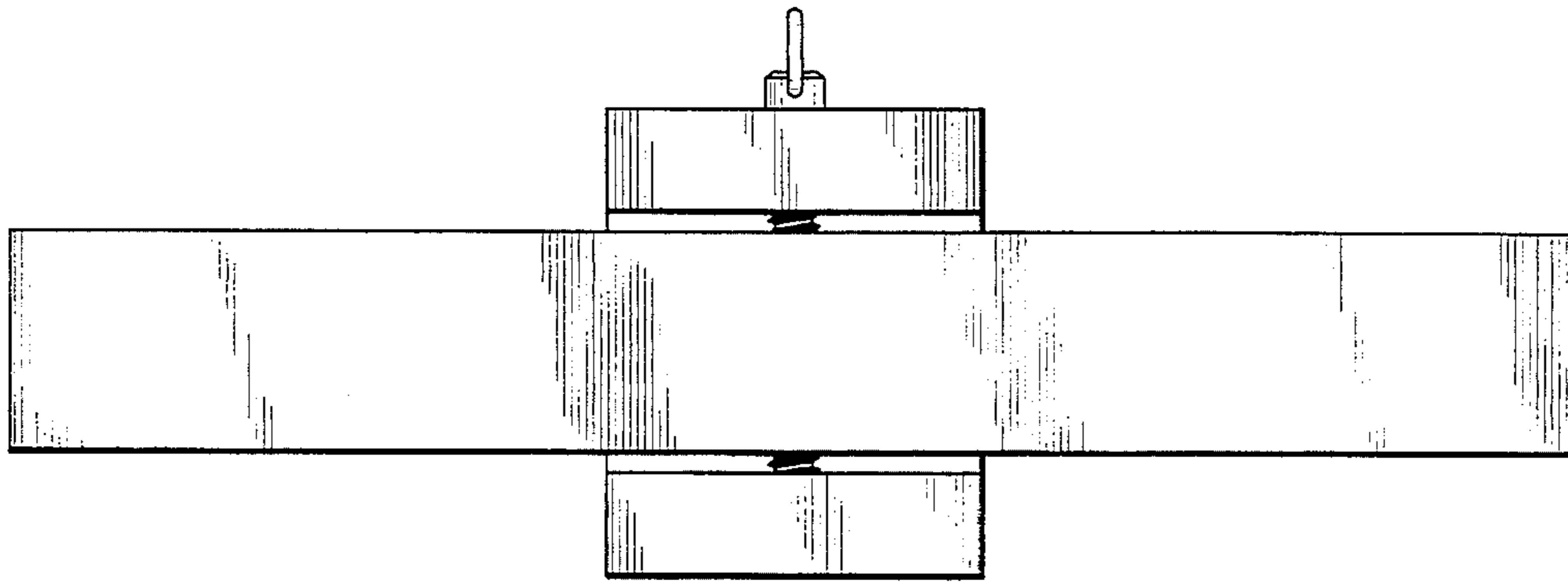


FIG. 6

