



US00D365256S

United States Patent [19] Griffin et al.

[11] Patent Number: **Des. 365,256**
[45] Date of Patent: ****Dec. 19, 1995**

[54] **HEDGE TRIMMER**

[75] Inventors: **John Griffin**, Phoenix, Ariz.; **David M. Martinez**, Williamsport, Pa.

[73] Assignee: **Shop Vac Corporation**, Williamsport, Pa.

[**] Term: **14 Years**

[21] Appl. No.: **24,403**

[22] Filed: **Jun. 14, 1994**

[52] U.S. Cl. **D8/8**

[58] Field of Search D8/8, 65; 56/12.7; 30/276

[56] **References Cited**

U.S. PATENT DOCUMENTS

D. 200,481	3/1965	Davis et al.	D8/8
D. 225,296	12/1972	Boldt	D8/8
D. 301,961	7/1989	Narisue et al.	D8/8
D. 323,770	2/1992	Alsup et al.	D8/8
D. 323,771	2/1992	Alsup et al.	D8/8
D. 325,856	5/1992	Gierke	D8/8
D. 349,436	9/1994	Griffin et al.	D8/8
3,897,630	8/1975	Glover et al.	30/220
3,962,924	6/1976	Glover et al.	74/50
4,216,582	8/1980	Paule et al.	30/216

FOREIGN PATENT DOCUMENTS

2025225 9/1989 Canada .

OTHER PUBLICATIONS

Argos Spring/Summer 1992 catalog, p. 10.

Primary Examiner—A. Hugo Word
Assistant Examiner—Holly Baynham
Attorney, Agent, or Firm—Marshall, O'Toole, Gerstein, Murray & Borun

[57] **CLAIM**

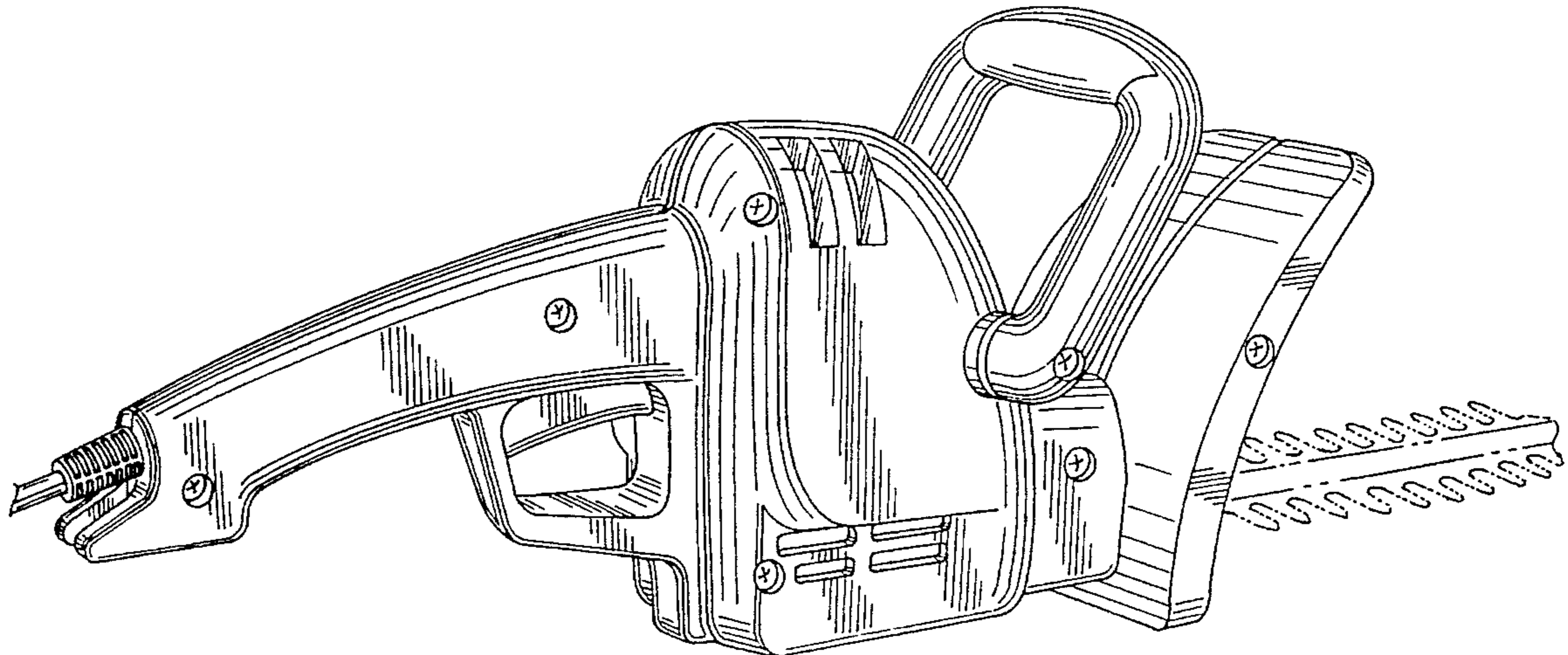
The ornamental design for a hedge trimmer, as shown and described.

DESCRIPTION

FIG. 1 is a perspective view taken from the rear and right side of a hedge trimmer showing our new design; FIG. 2 is a right side elevational view thereof; FIG. 3 is a left side elevational view thereof; FIG. 4 is a top plan view thereof; FIG. 5 is a bottom plan view shown in association with the broken line depiction of a blade; FIG. 6 is a front view thereof; FIG. 7 is a rear view thereof; and, FIG. 8 is a bottom plan view thereof.

The broken line showing of a blade is for illustrative purposes only and forms no part of the claimed design.

1 Claim, 6 Drawing Sheets



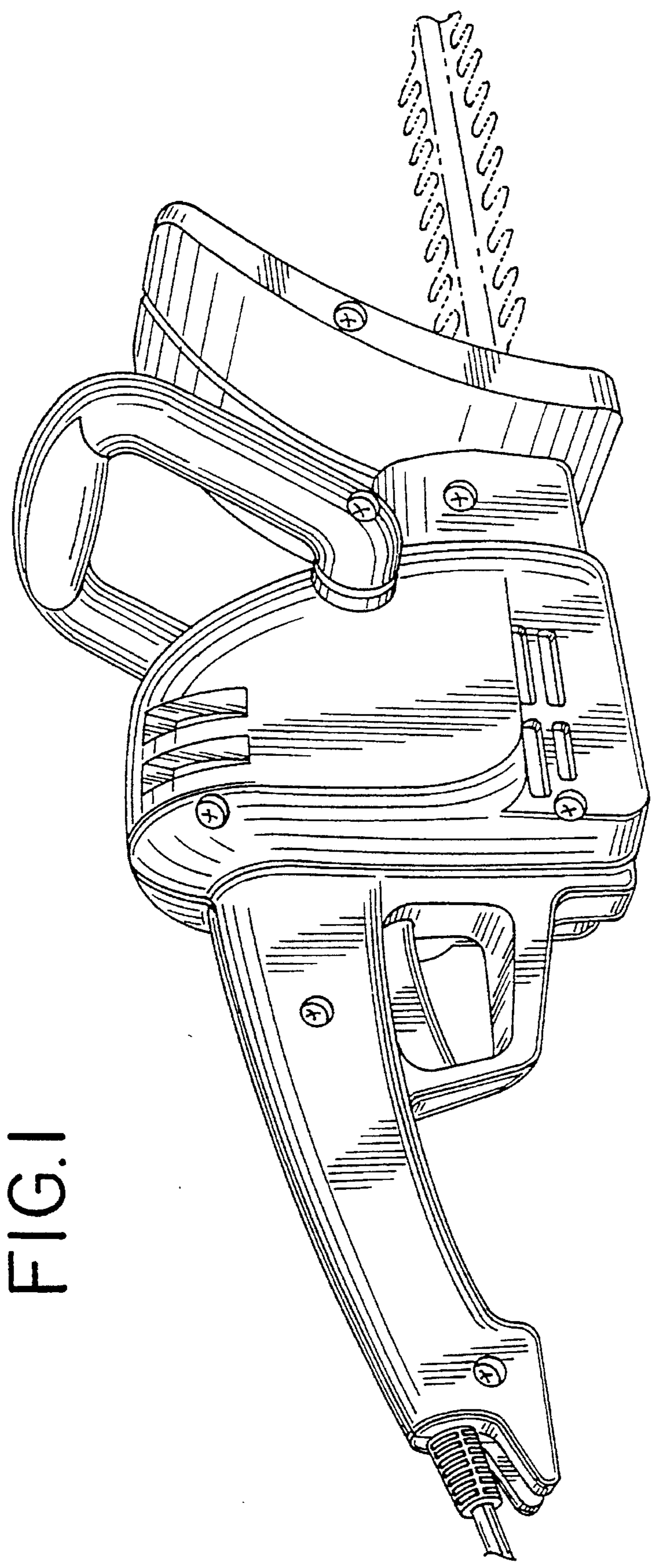


FIG. 1

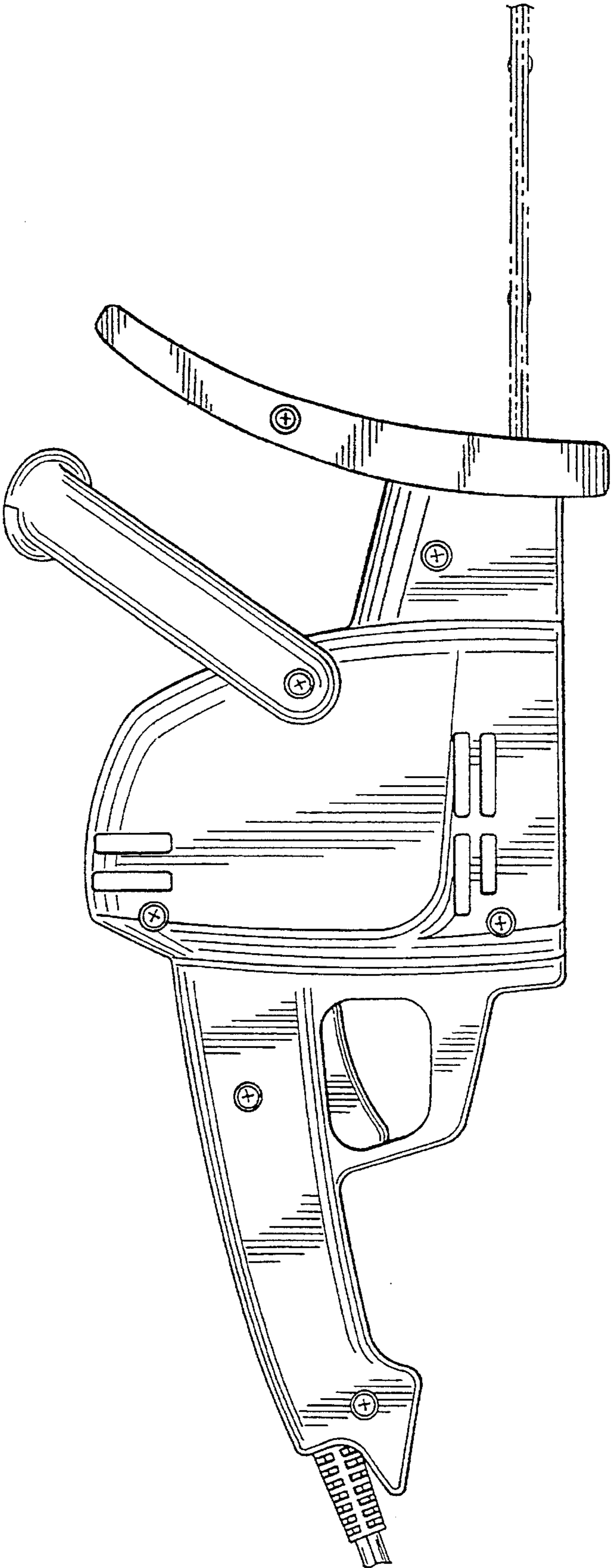


FIG. 2

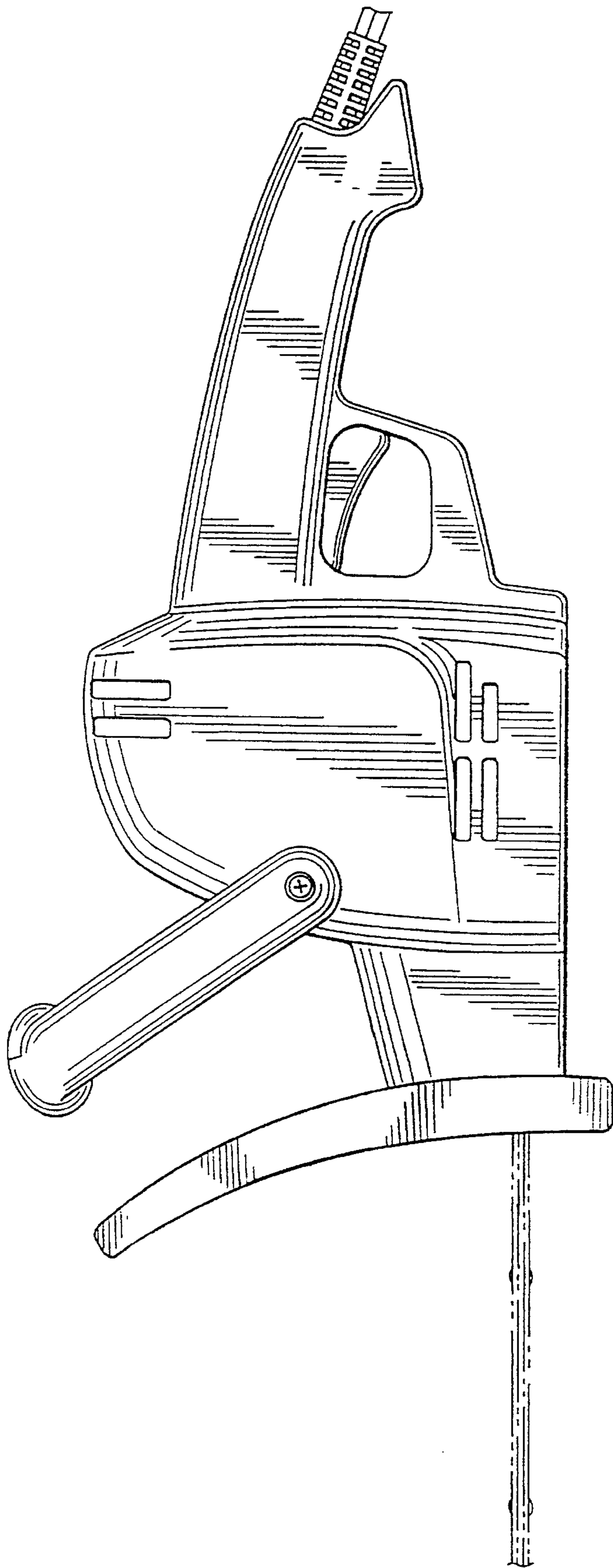


FIG. 3

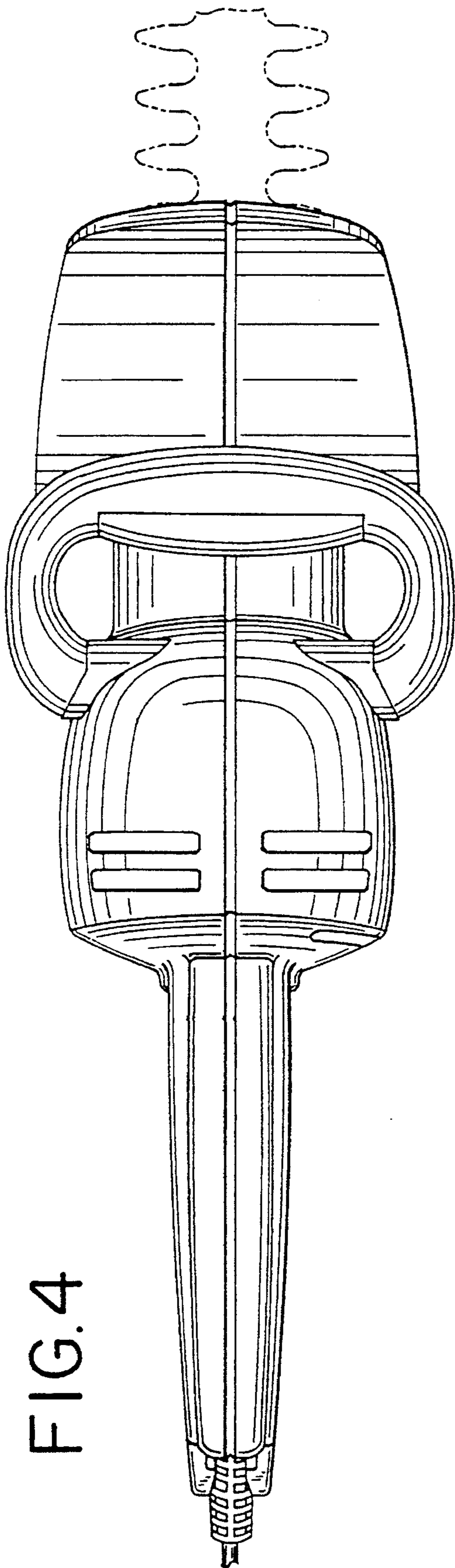


FIG. 4

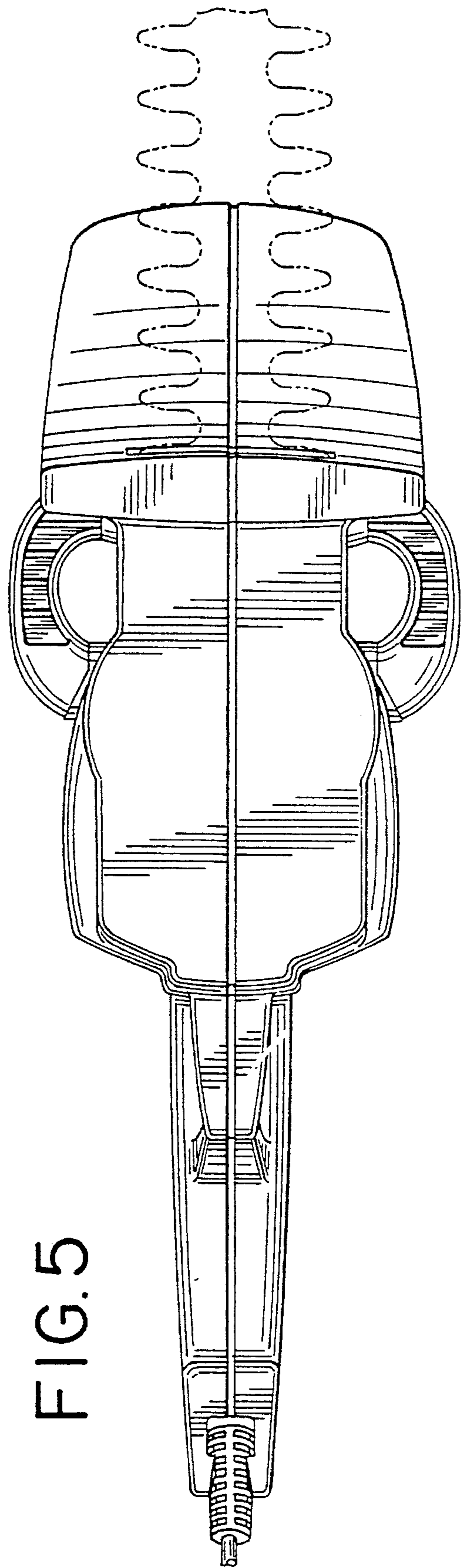


FIG. 5

FIG.7

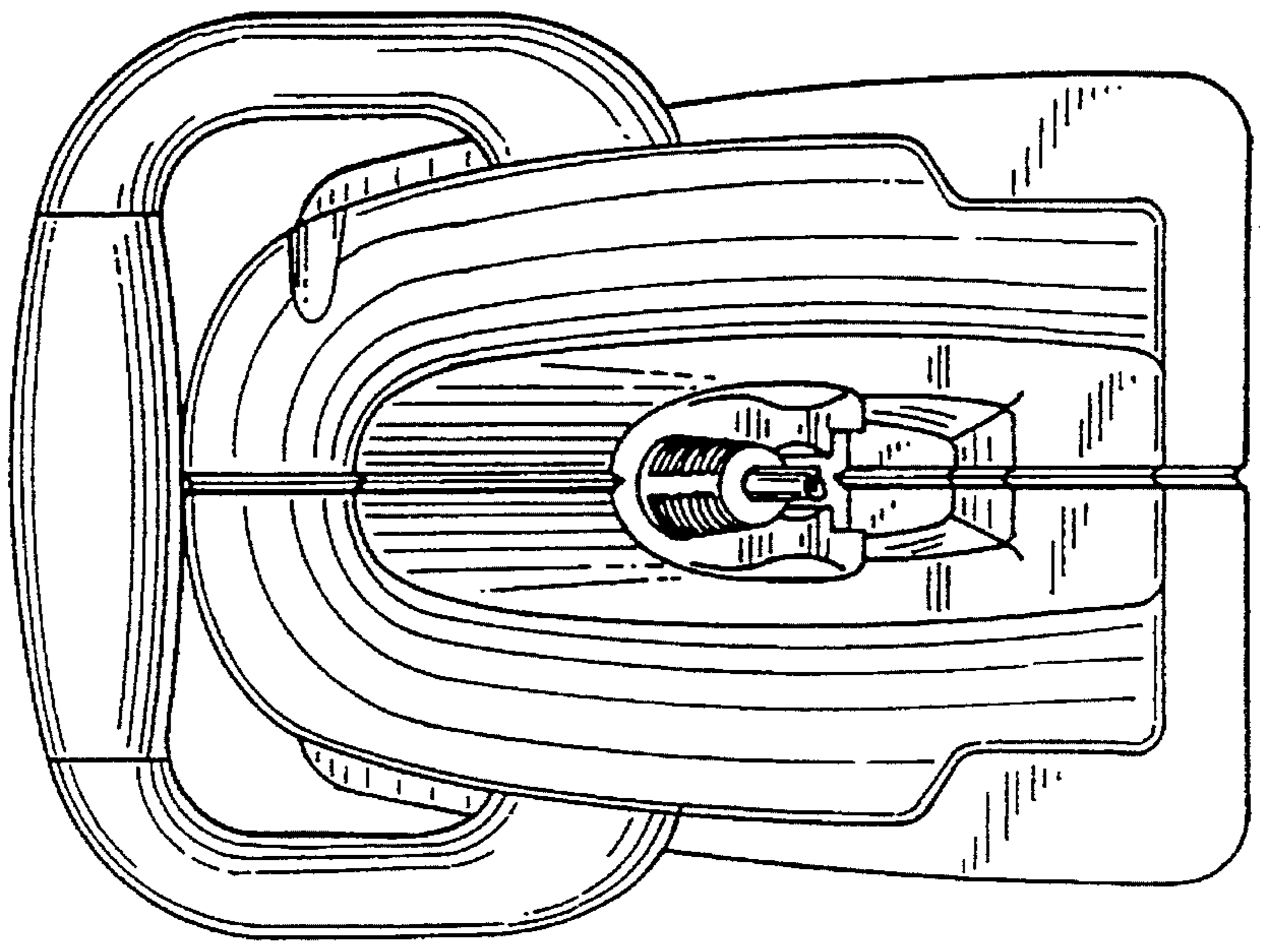
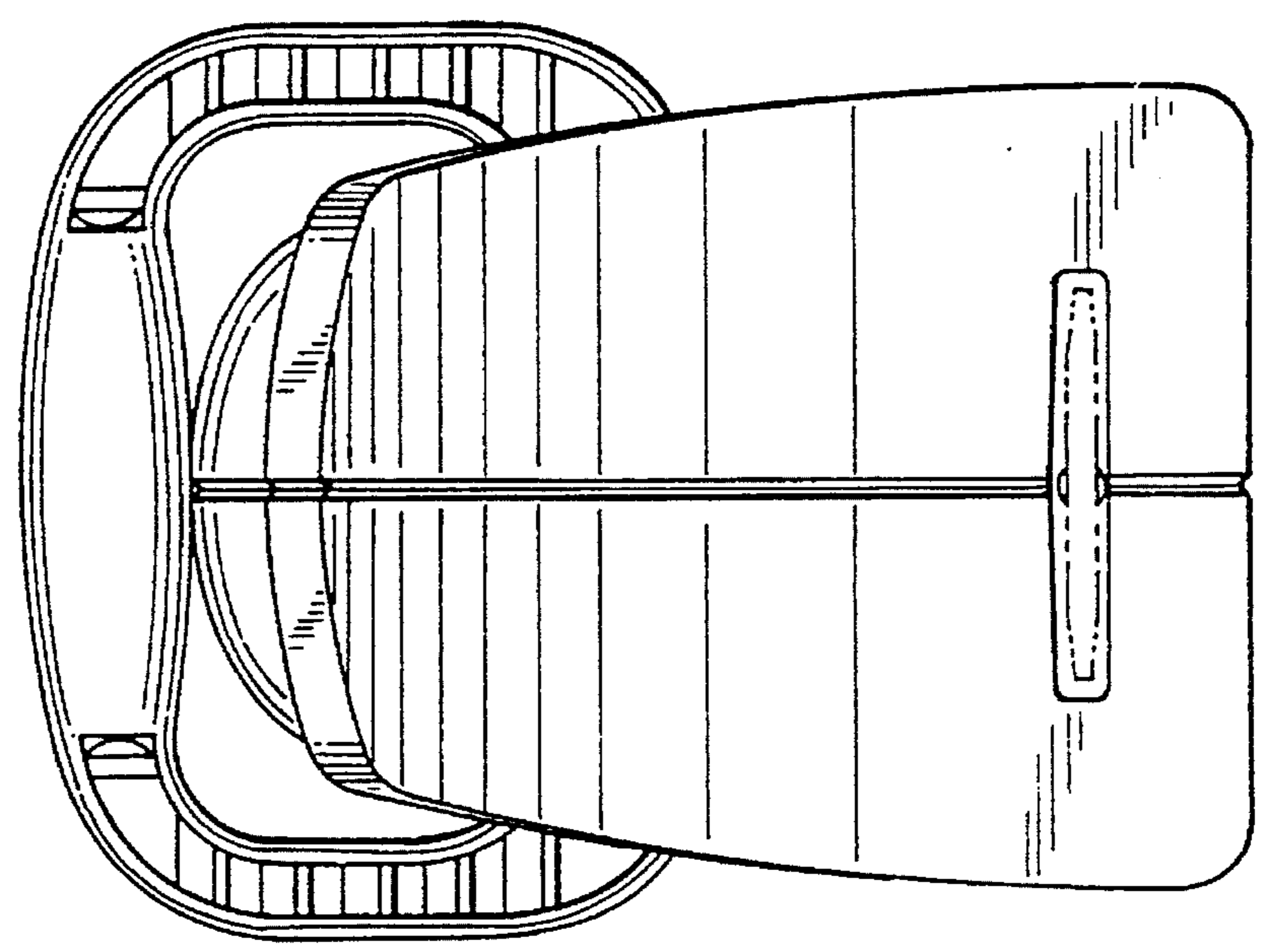


FIG.6



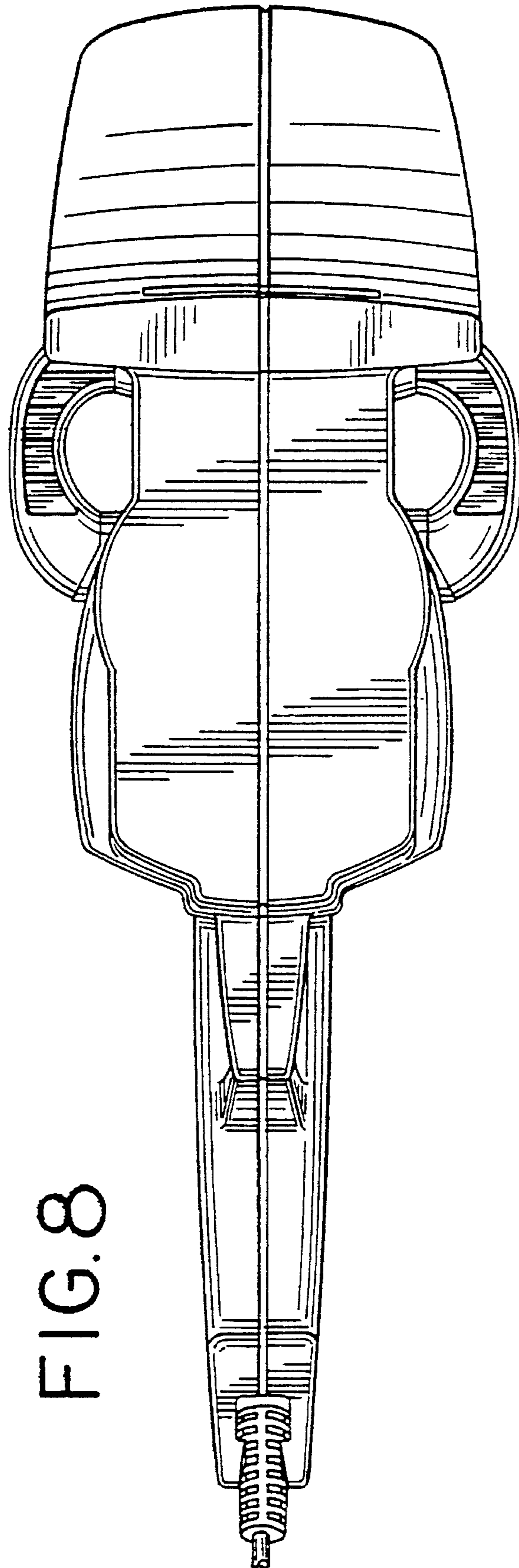


FIG. 8