



US00D365247S

United States Patent [19]

Sokolski et al.

[11] Patent Number: **Des. 365,247**

[45] Date of Patent: ****Dec. 19, 1995**

[54] BEVERAGE CONTAINER AND LID THEREFOR

[75] Inventors: **Robert Sokolski; John Downey**, both of Warren, Pa.

[73] Assignee: **Whirley Industries, Inc.**, Warren, Pa.

[**] Term: **14 Years**

[21] Appl. No.: **20,039**

[22] Filed: **Mar. 17, 1994**

[52] U.S. Cl. **D7/511; D7/510**

[58] Field of Search **D7/523, 505, 507, D7/509, 510, 511, 533, 534, 536, 392.1; 220/711, 713; D9/440, 443, 447, 449, 454**

[56] References Cited

U.S. PATENT DOCUMENTS

D. 275,655	9/1984	Bainton	D9/443	X
D. 291,659	7/1987	Powell	D9/443	X
D. 310,031	8/1990	Curasi	D9/449	
D. 323,116	1/1992	Dart et al.	D9/443	X
D. 339,958	10/1993	Olsen et al.	D9/454	X
D. 351,314	10/1994	Sokolski et al.	D7/533	X
D. 353,297	12/1994	Sokolski et al.	D7/523	X
D. 353,973	1/1995	Adado	D7/511	
4,412,629	11/1983	Dart et al.	220/711	
5,253,780	10/1993	Adado	220/711	
5,348,181	9/1994	Smith et al.	220/711	X

FOREIGN PATENT DOCUMENTS

0094235 11/1983 European Pat. Off. .

Primary Examiner—Alan P. Douglas

Assistant Examiner—M. N. Pandozzi

Attorney, Agent, or Firm—Reed Smith Shaw & McClay

[57] CLAIM

The ornamental design for a beverage container and lid therefor, as shown and described.

DESCRIPTION

FIG. 1 is a side elevational view of a beverage container and lid therefor showing our new design;

FIG. 2 is a top perspective view of the beverage container and lid therefor of FIG. 1;

FIG. 3 is a bottom plan view of the beverage container and lid therefor shown in FIG. 1;

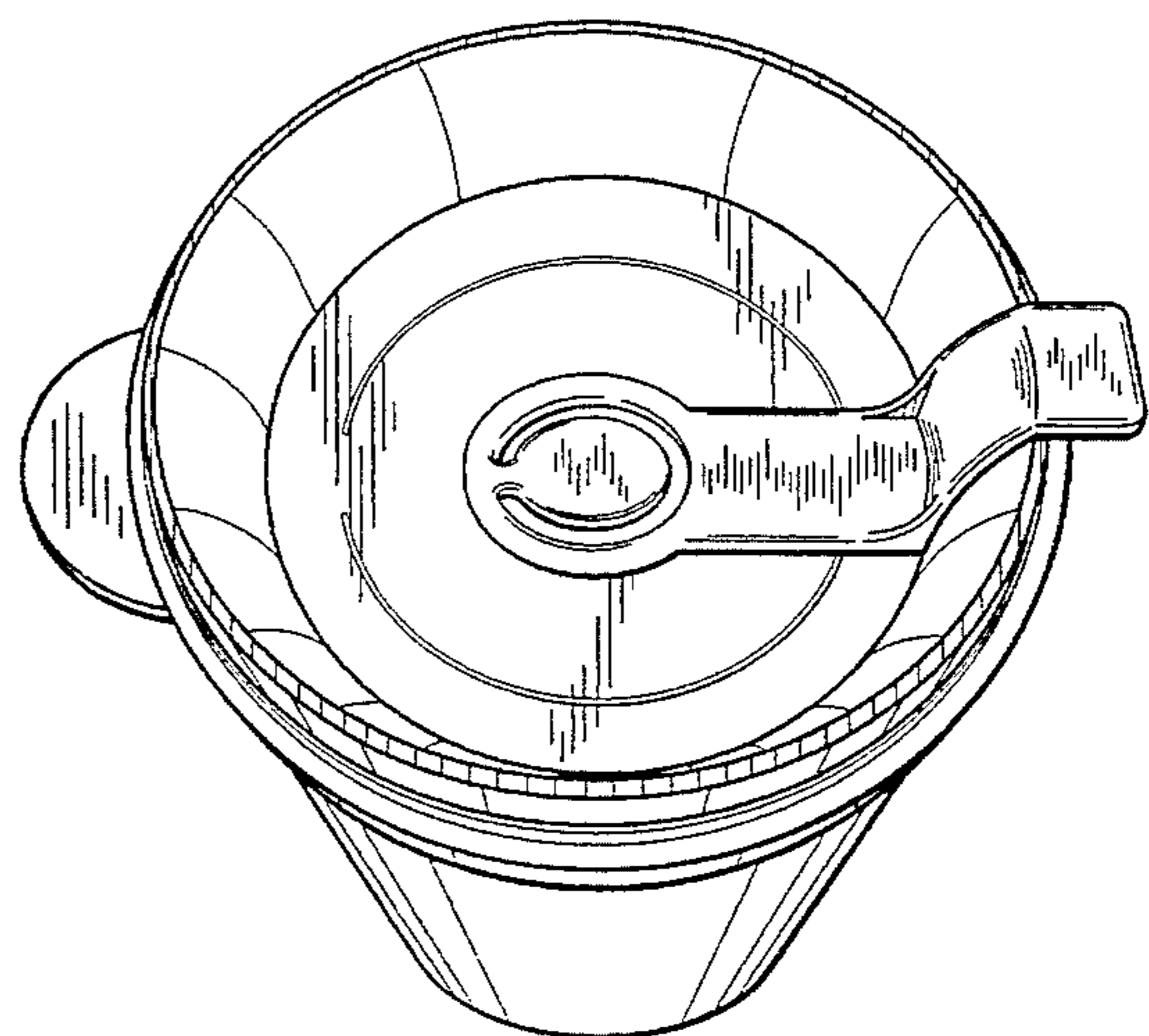
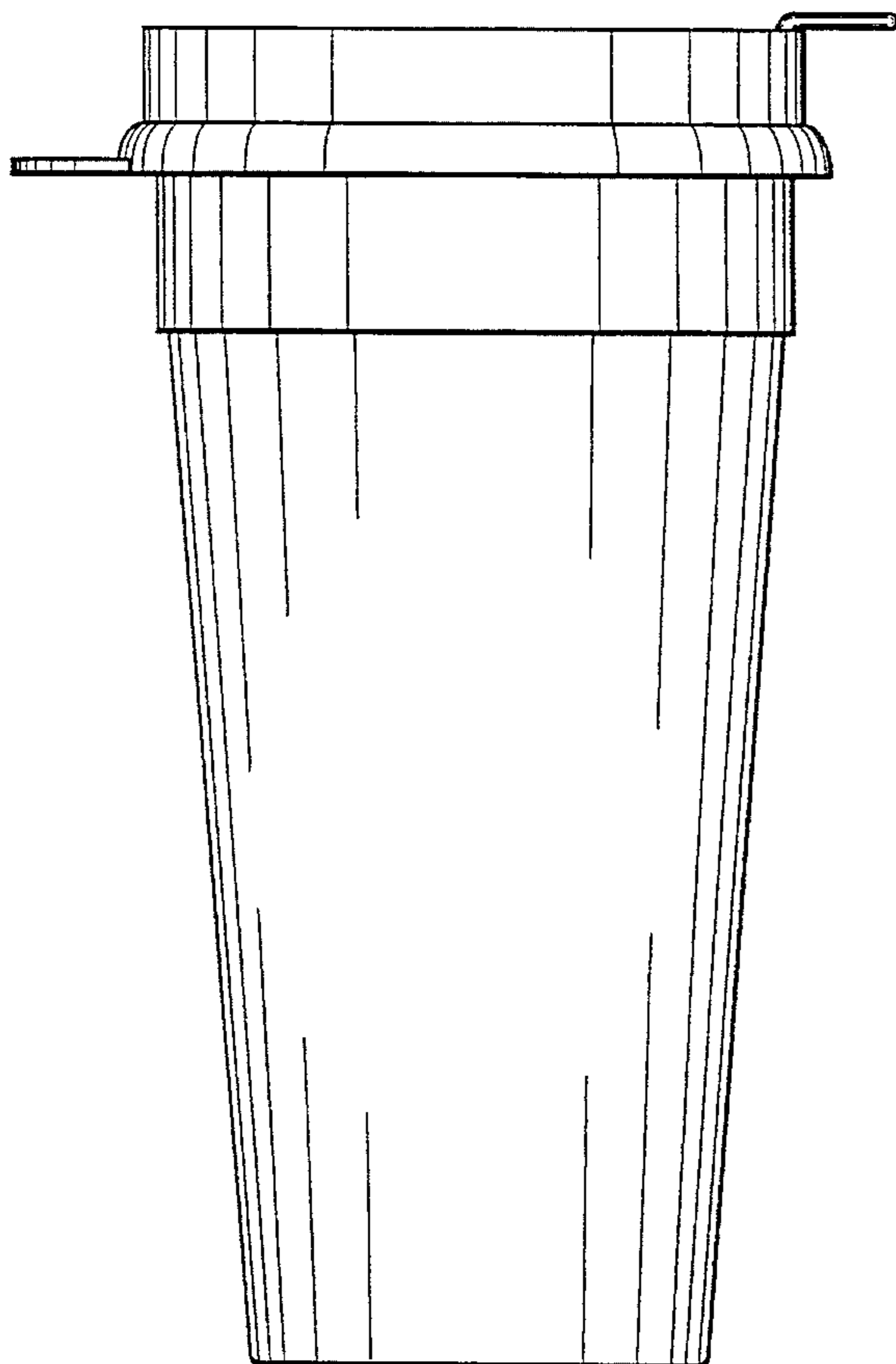
FIG. 4 is a side elevational view thereof with the container removed for clarity of illustration;

FIG. 5 is a top plan view thereof;

FIG. 6 is a top plan view thereof, with a stop member in an alternate position from that shown in FIG. 5; and,

FIG. 7 is a bottom view thereof of the lid portion with the container removed for clarity of illustration.

1 Claim, 3 Drawing Sheets



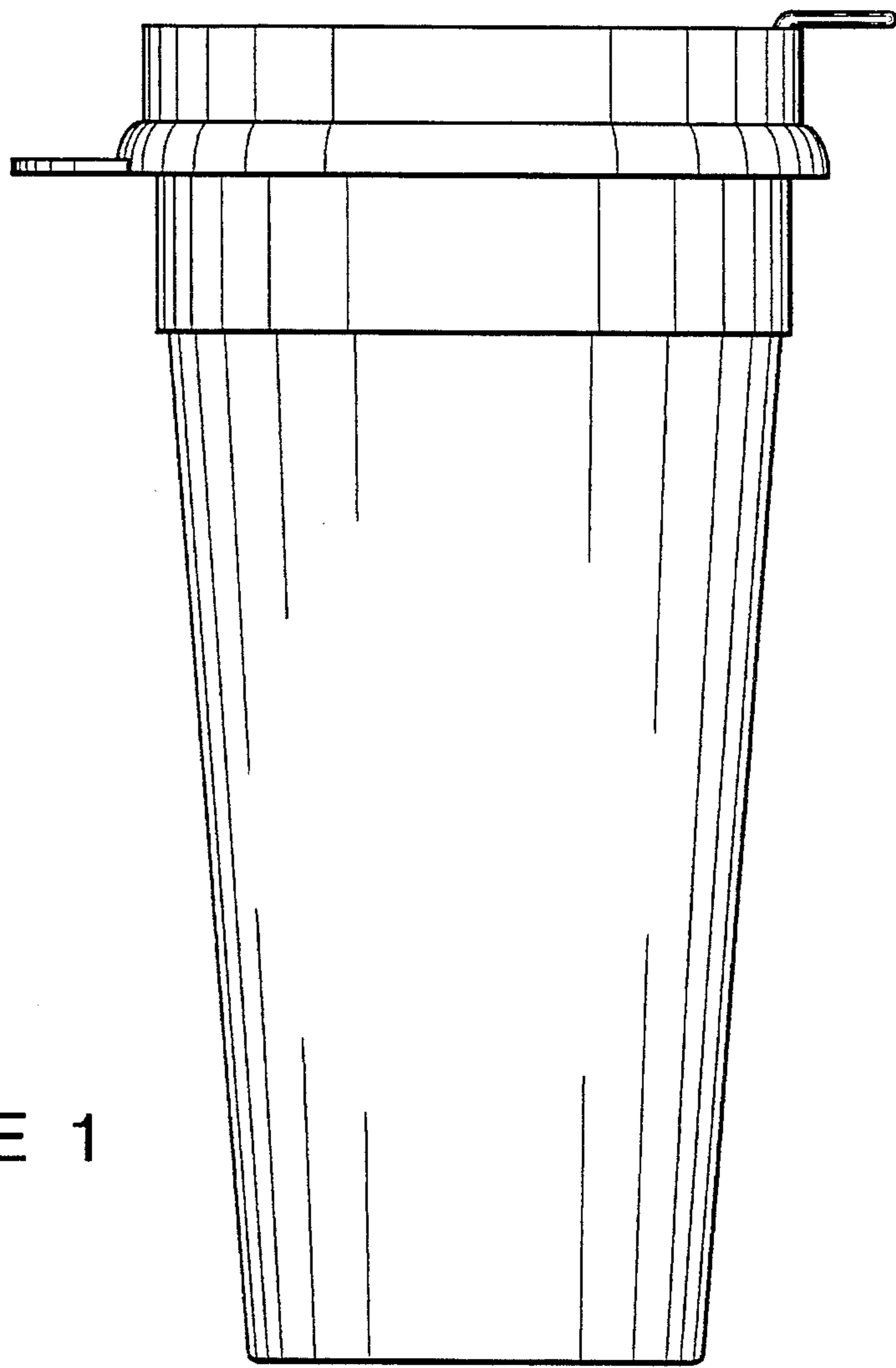


FIGURE 1

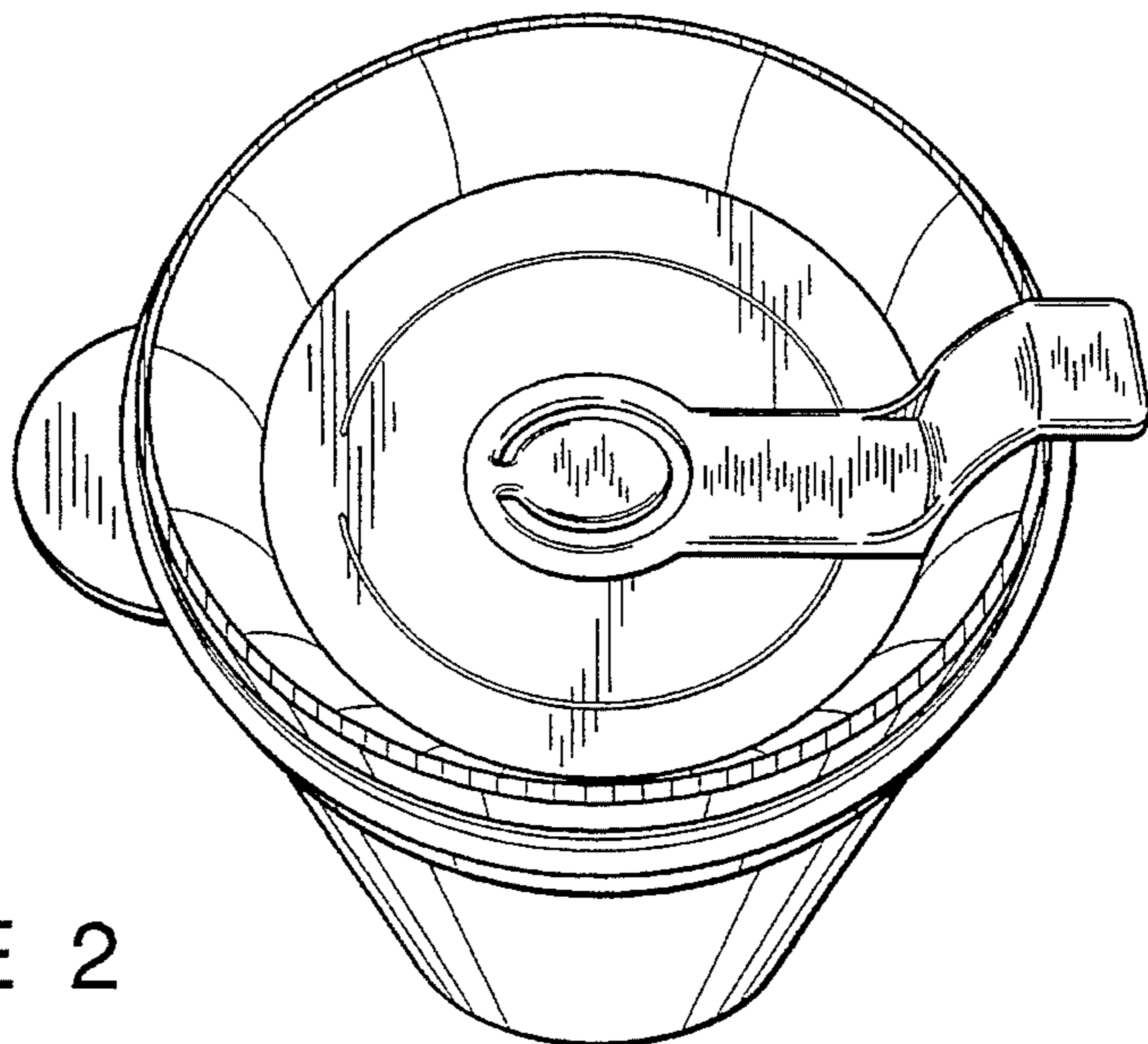


FIGURE 2

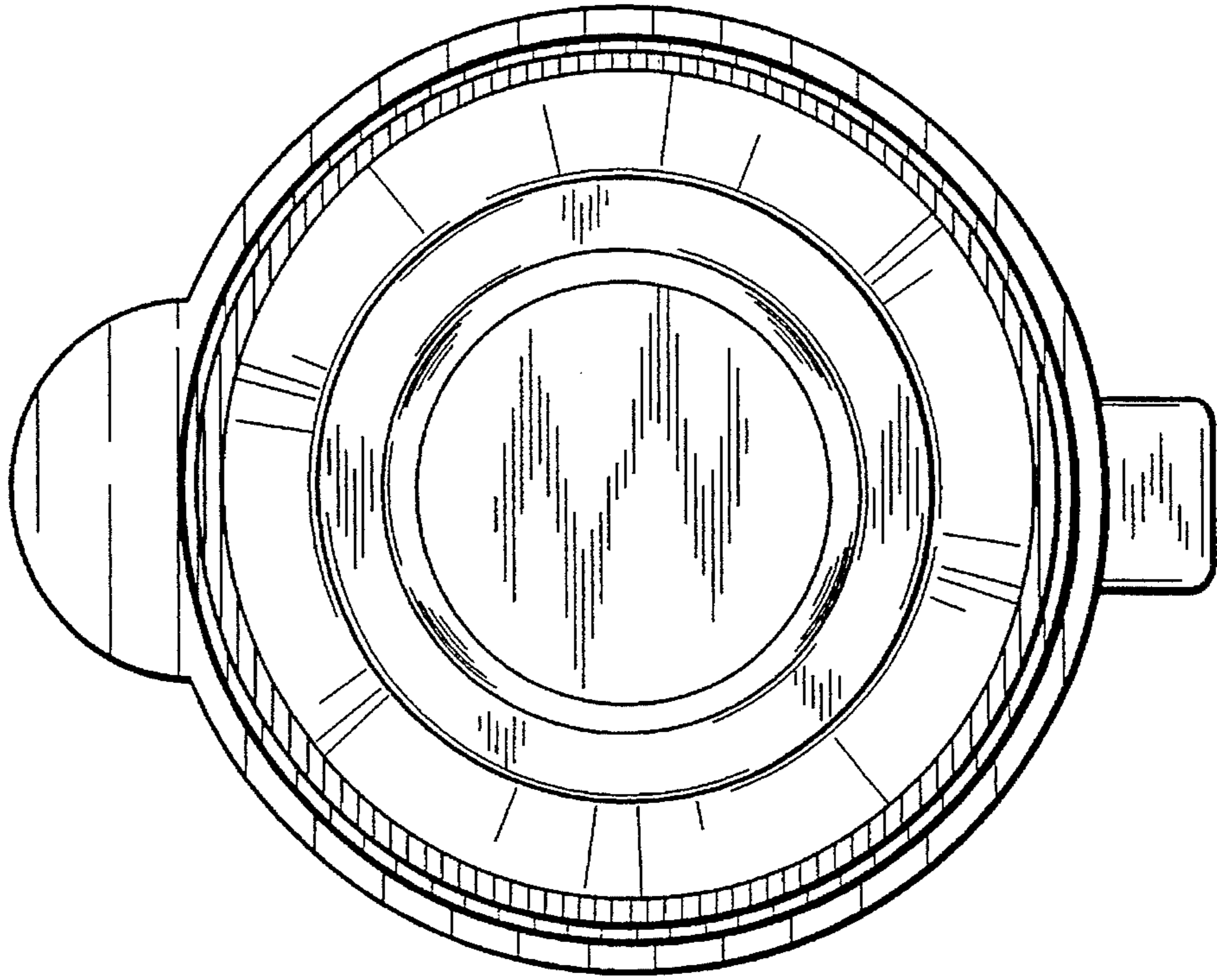


FIGURE 3

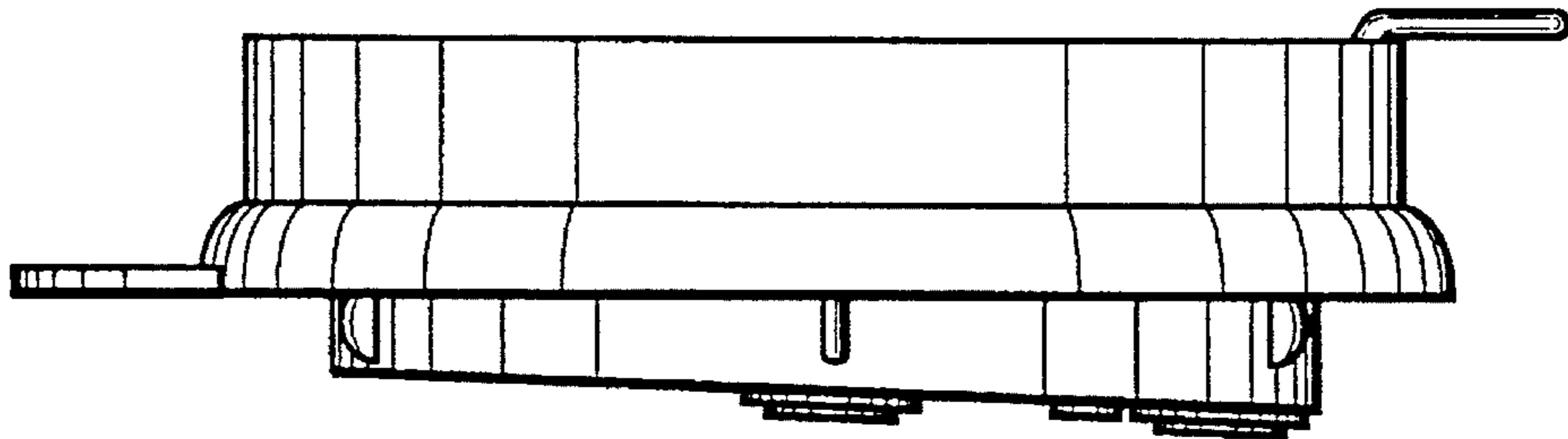


FIGURE 4

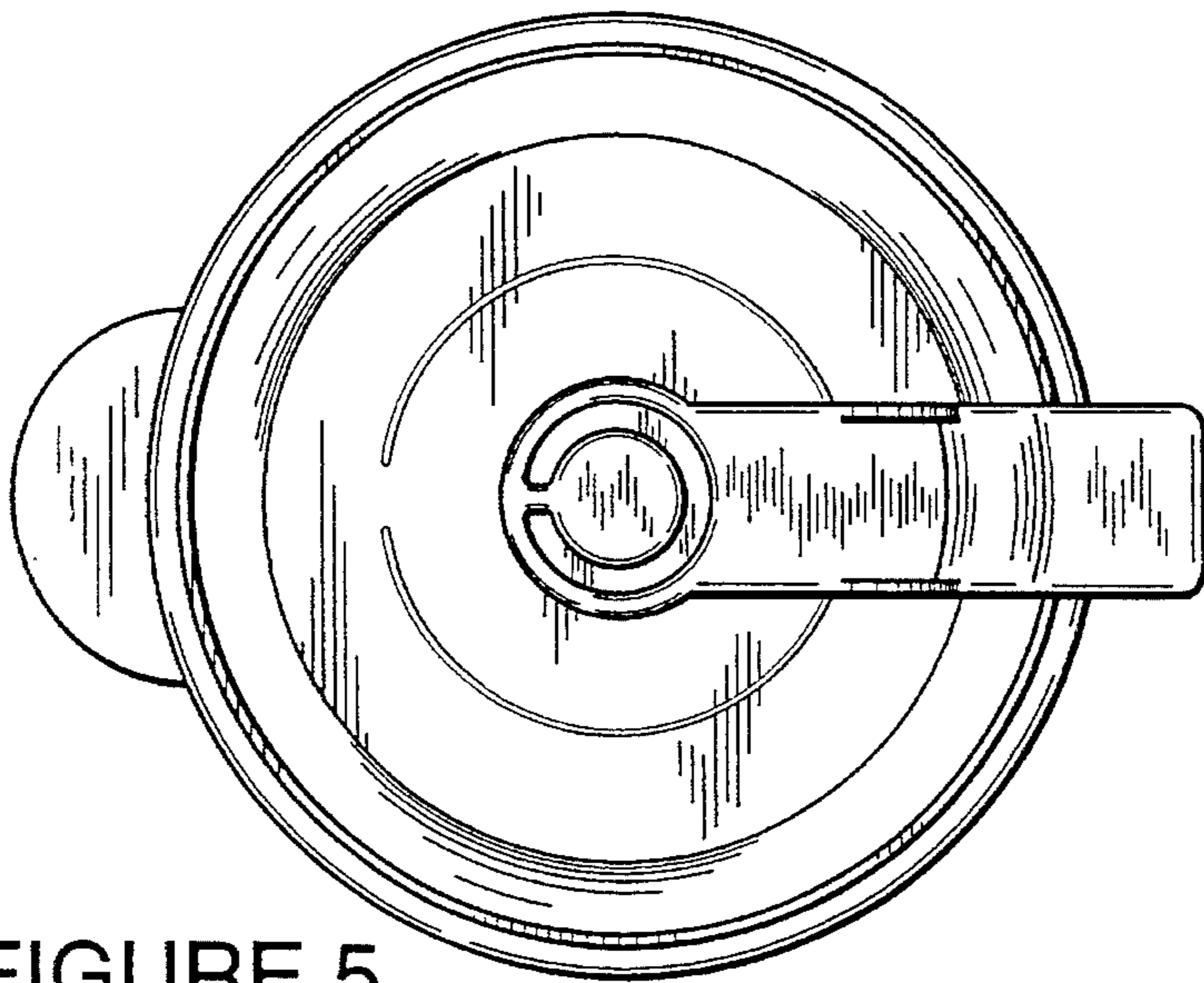


FIGURE 5

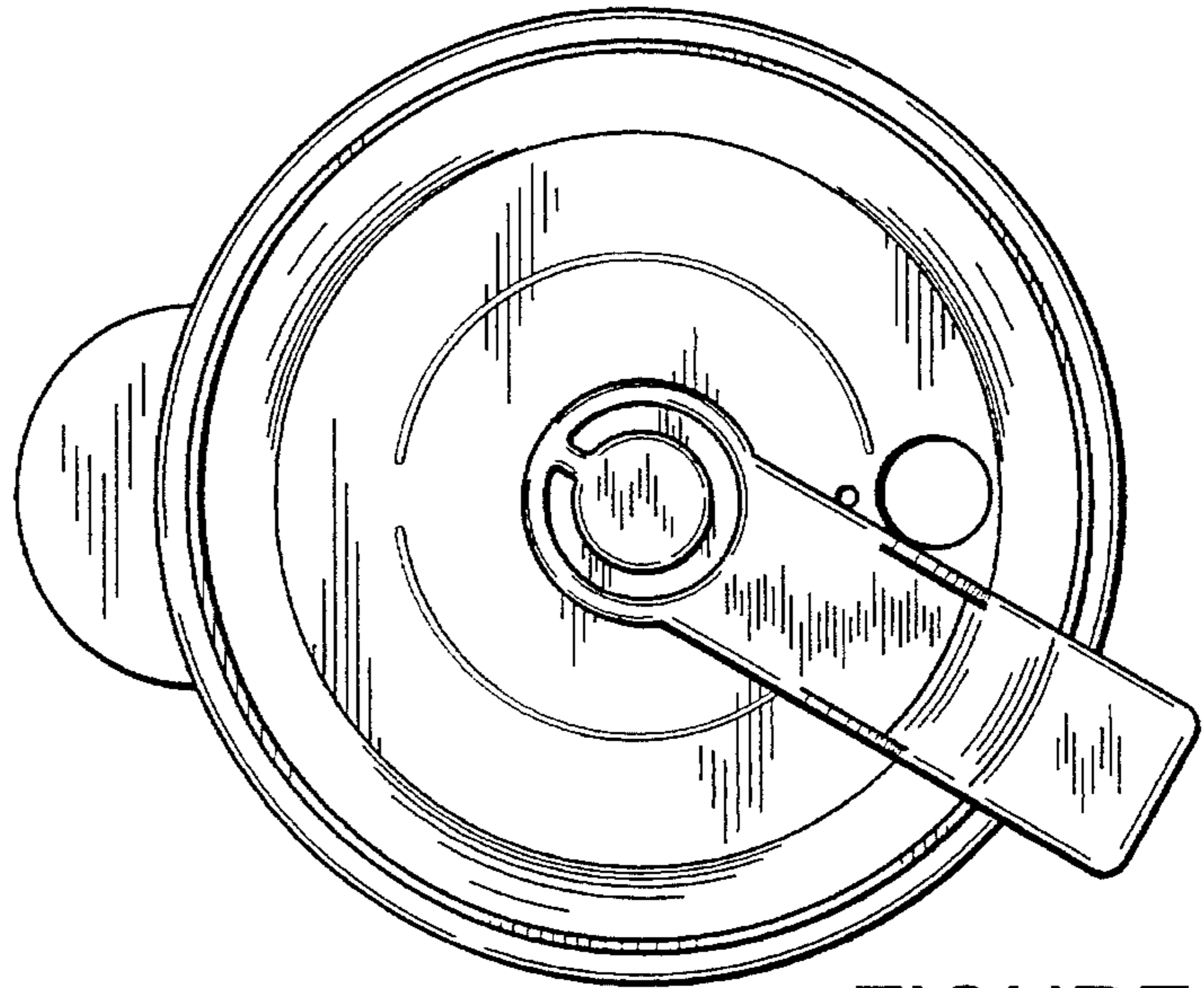


FIGURE 6

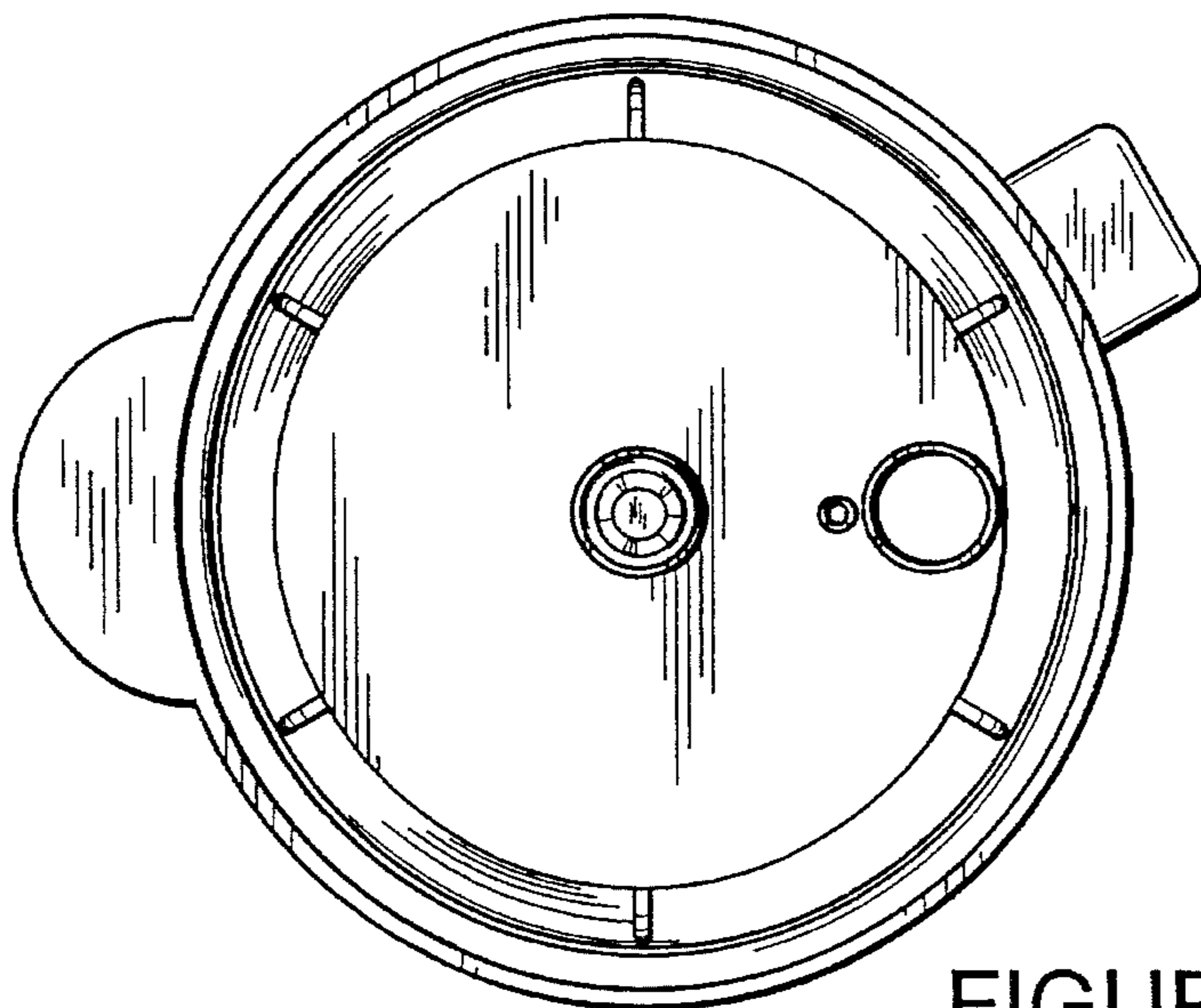


FIGURE 7