



US00D365245S

United States Patent [19] Joergensen

[11] Patent Number: Des. 365,245

[45] Date of Patent: **Dec. 19, 1995

[54] COFFEE GRINDER 3,527,277 9/1970 Woods D7/372

[75] Inventor: Carsten Joergensen, Kriens, Switzerland

[73] Assignee: PI-Design AG, Triengen, Switzerland

[**] Term: 14 Years

[21] Appl. No.: 15,661

[22] Filed: Nov. 2, 1993

[52] U.S. Cl. D7/373; D7/679

[58] Field of Search D7/372-374, 384, D7/383, 679, 591, 592, 596-597, 665; 241/DIG. 17, 83, 168-169, 169.1, 277, 279-280, 273.1

[56] **References Cited**

U.S. PATENT DOCUMENTS

D. 183,596	9/1958	Bowland	D7/372
D. 196,093	8/1963	Ostrowsky	D7/372
D. 218,593	9/1970	Hart	D7/597
D. 269,584	7/1983	Bounds	D7/679
D. 336,410	6/1993	Ancona et al.	D7/591
2,842,176	7/1958	Bowland	D7/372

OTHER PUBLICATIONS

Institutions, Jan. 1959, p. 40. "Giant Pepper Mill".

Primary Examiner—Ruth McInroy
Attorney, Agent, or Firm—J. W. Gipple

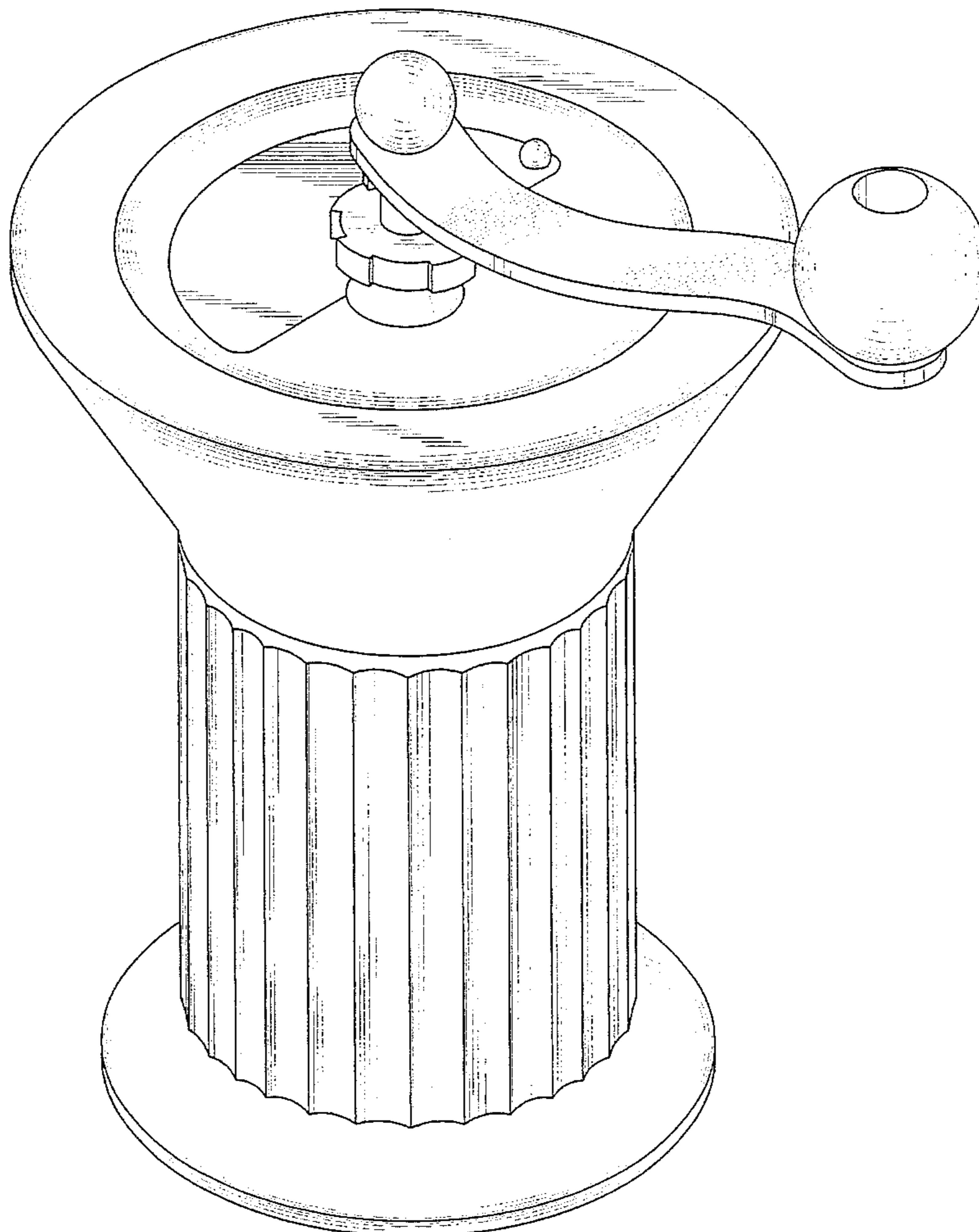
[57] **CLAIM**

The ornamental design for a coffee grinder, as shown and described.

DESCRIPTION

FIG. 1 is a side elevational view of a coffee grinder showing my new design;
FIG. 2 is a side elevational view of the opposite side of FIG. 1;
FIG. 3 is a top plan view thereof;
FIG. 4 is a bottom plan view thereof;
FIG. 5 is a perspective view thereof;
FIG. 6 is a sectional view taken along lines 6—6 in FIG. 5;
FIG. 7 is an exploded view thereof; and,
FIG. 8 is a bottom plan view of the upper part of the coffee grinder.

1 Claim, 8 Drawing Sheets



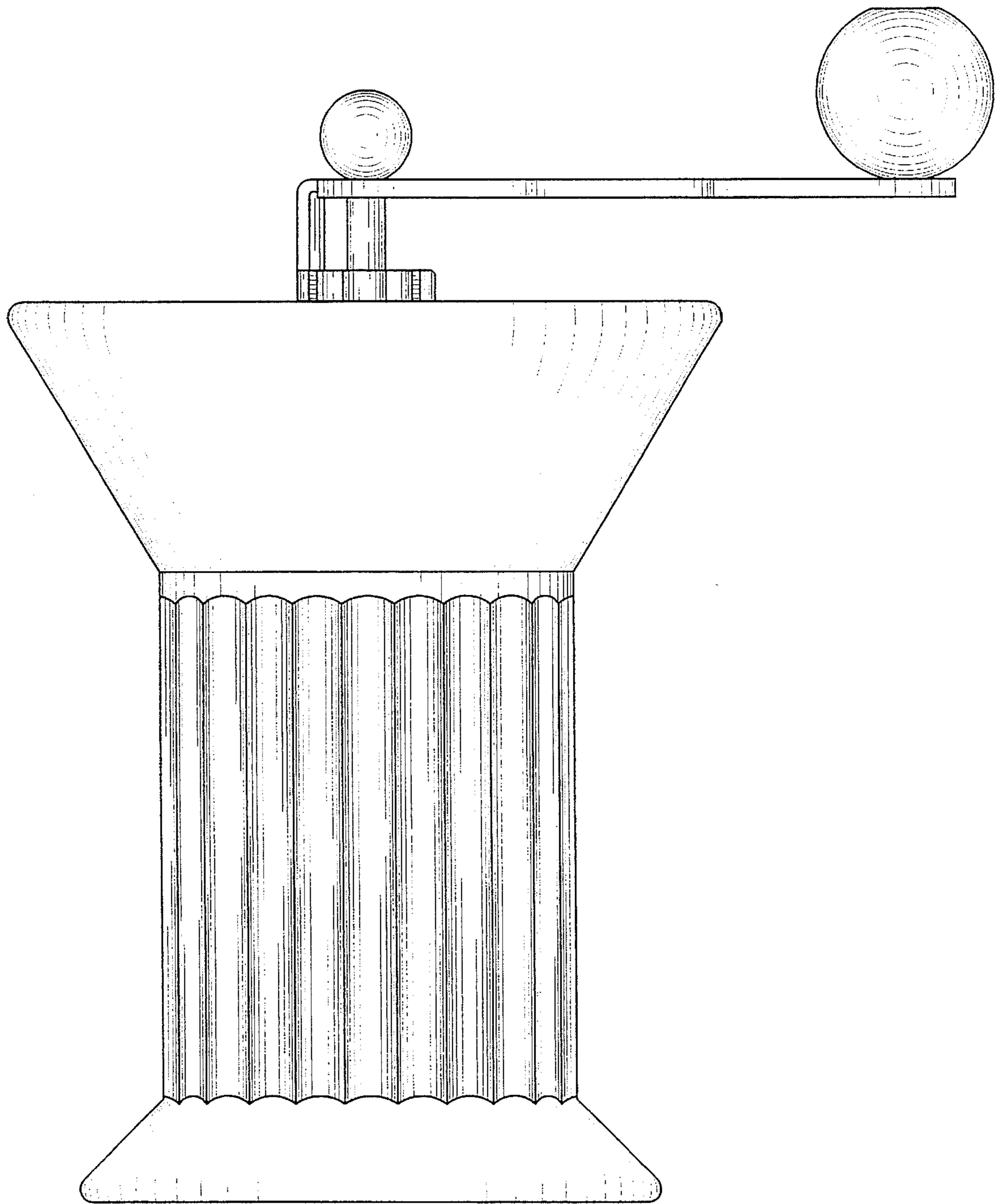


FIG. 1

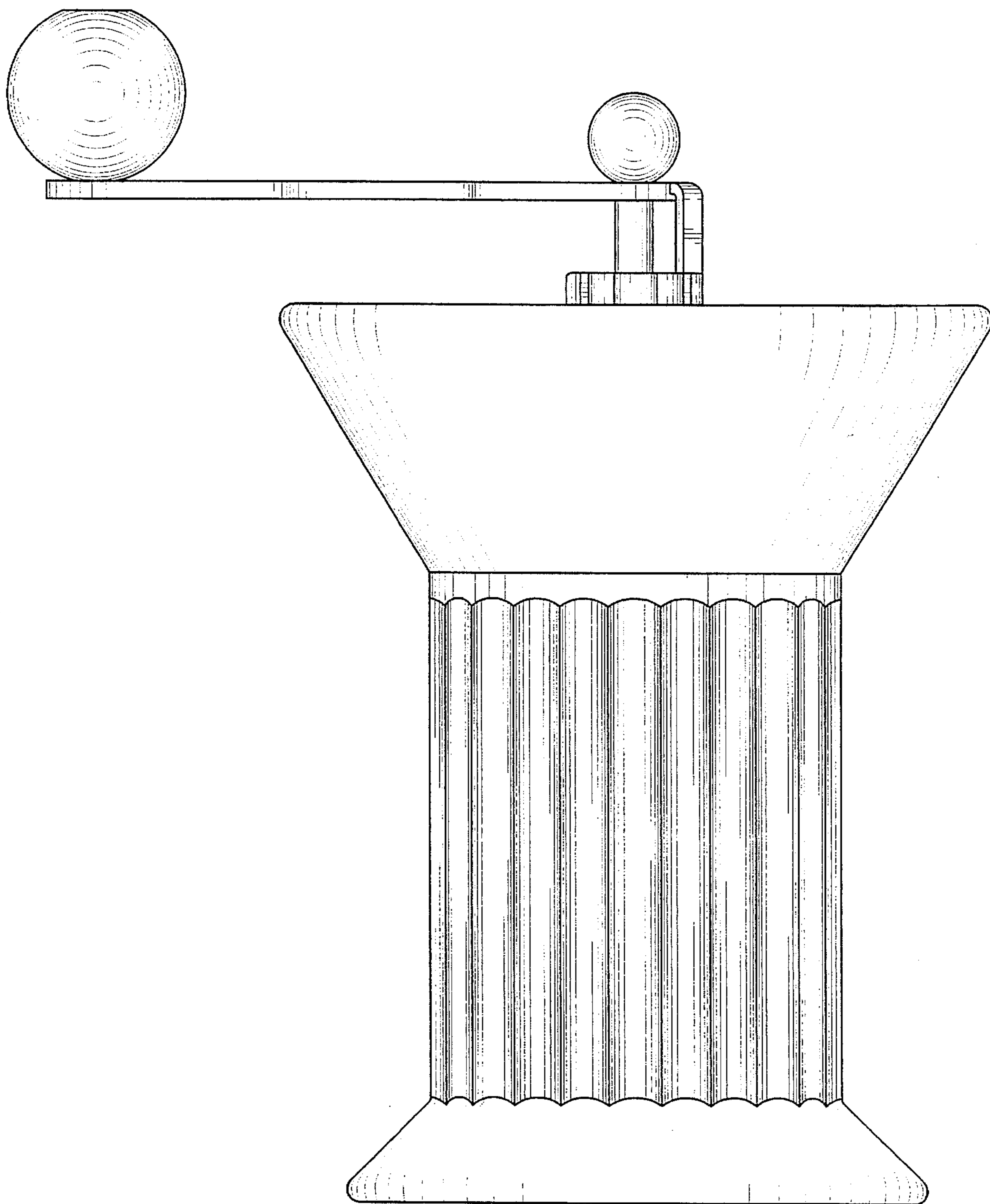


FIG. 2

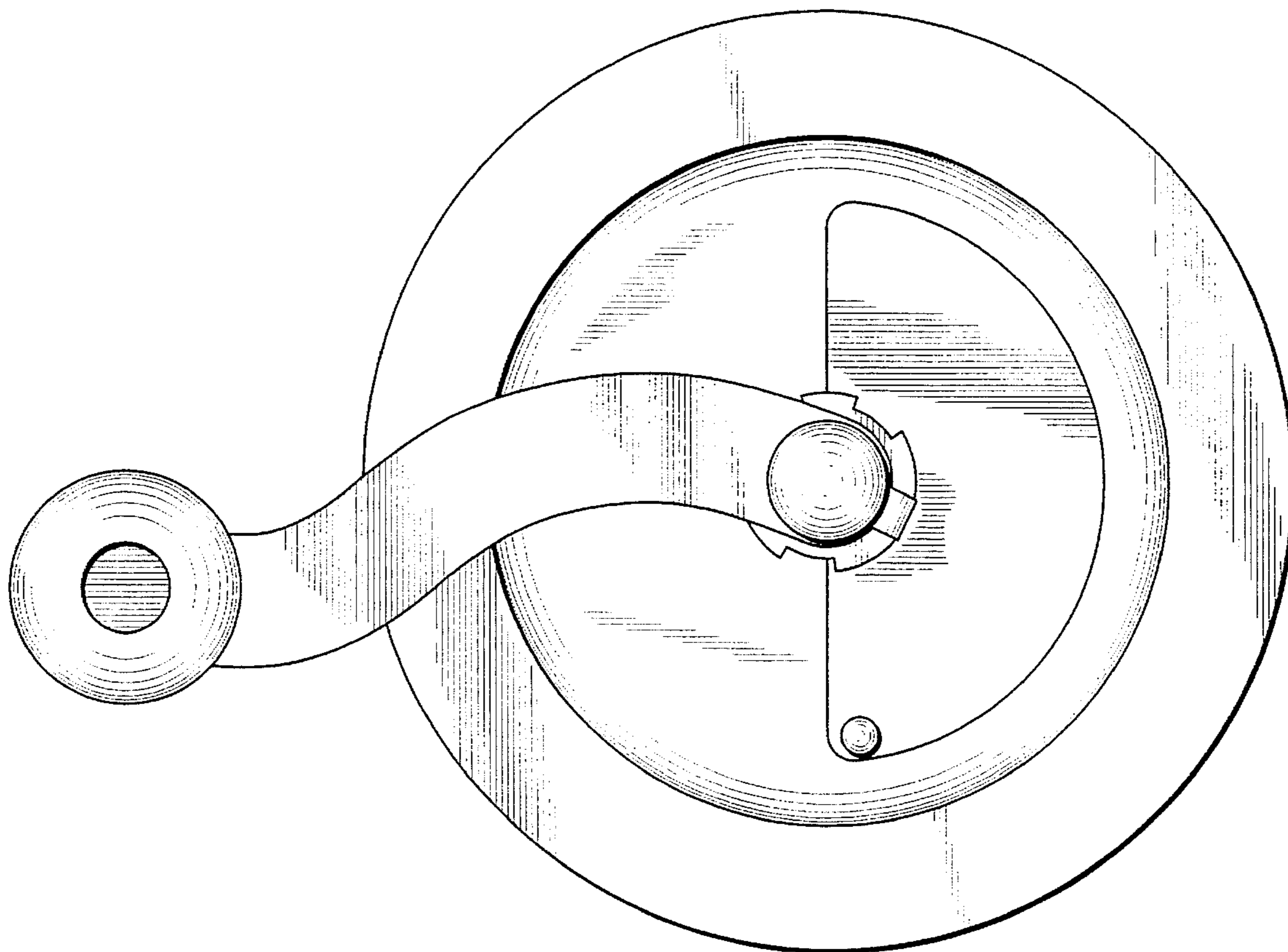


FIG. 3

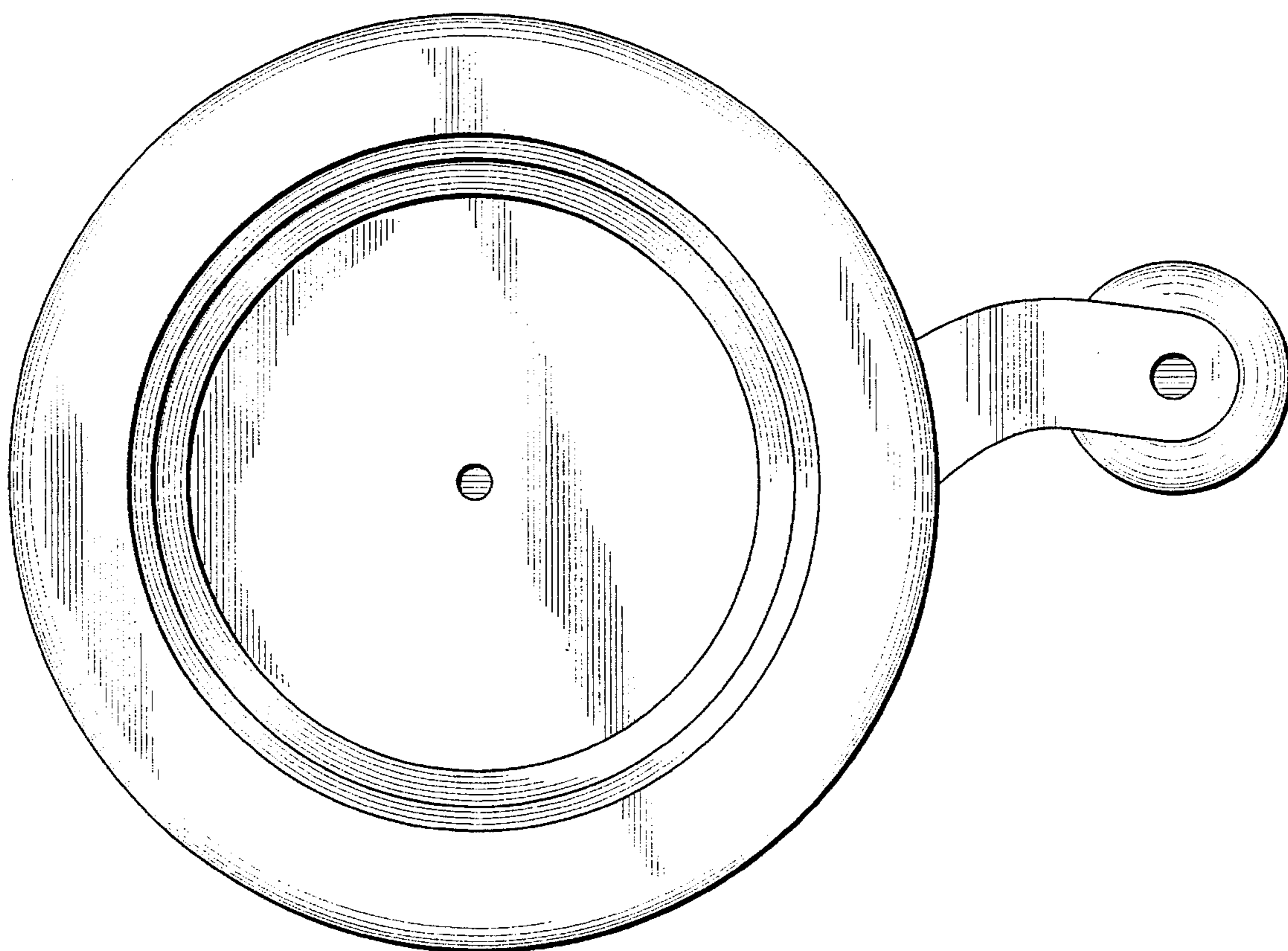


FIG. 4

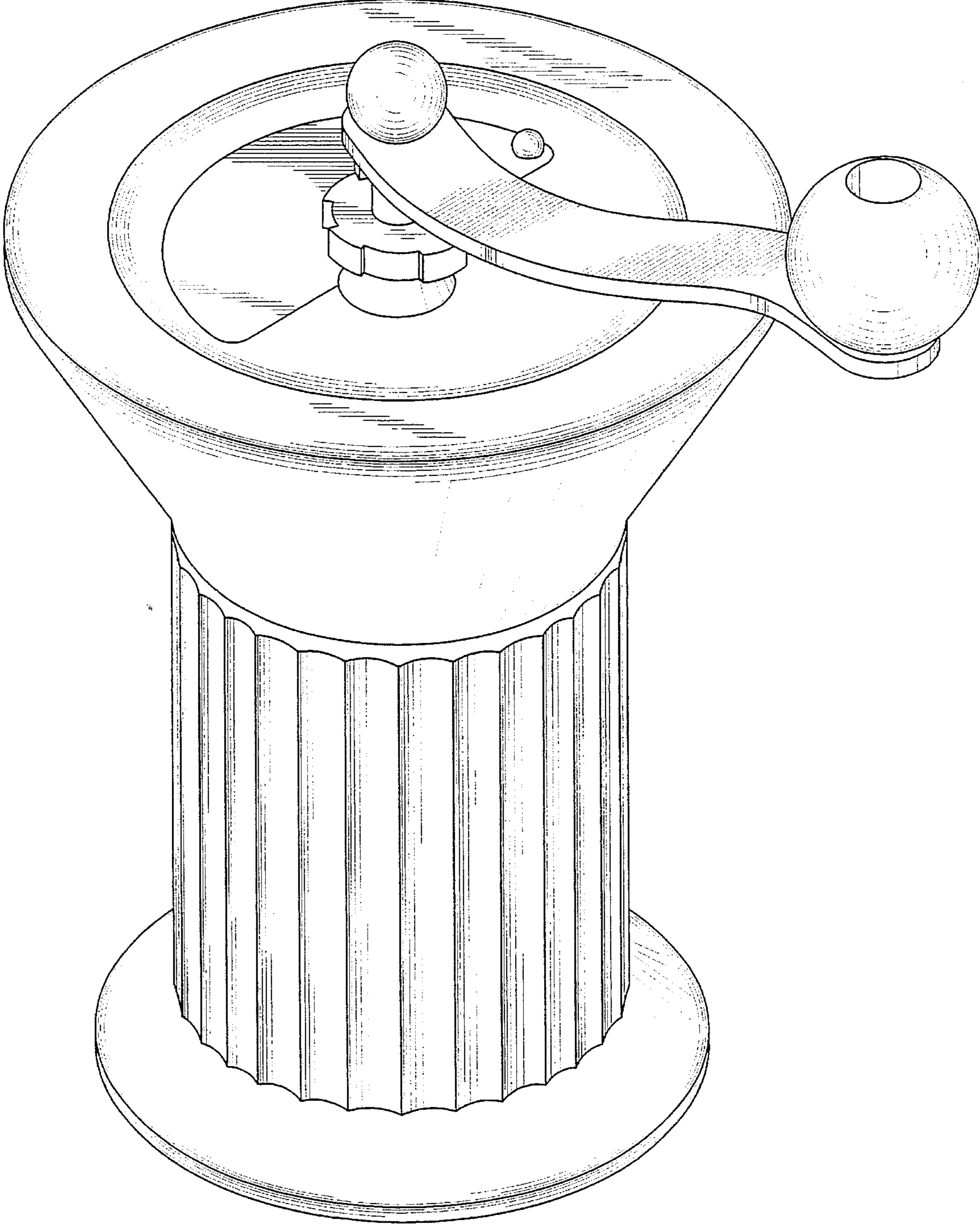


FIG. 5

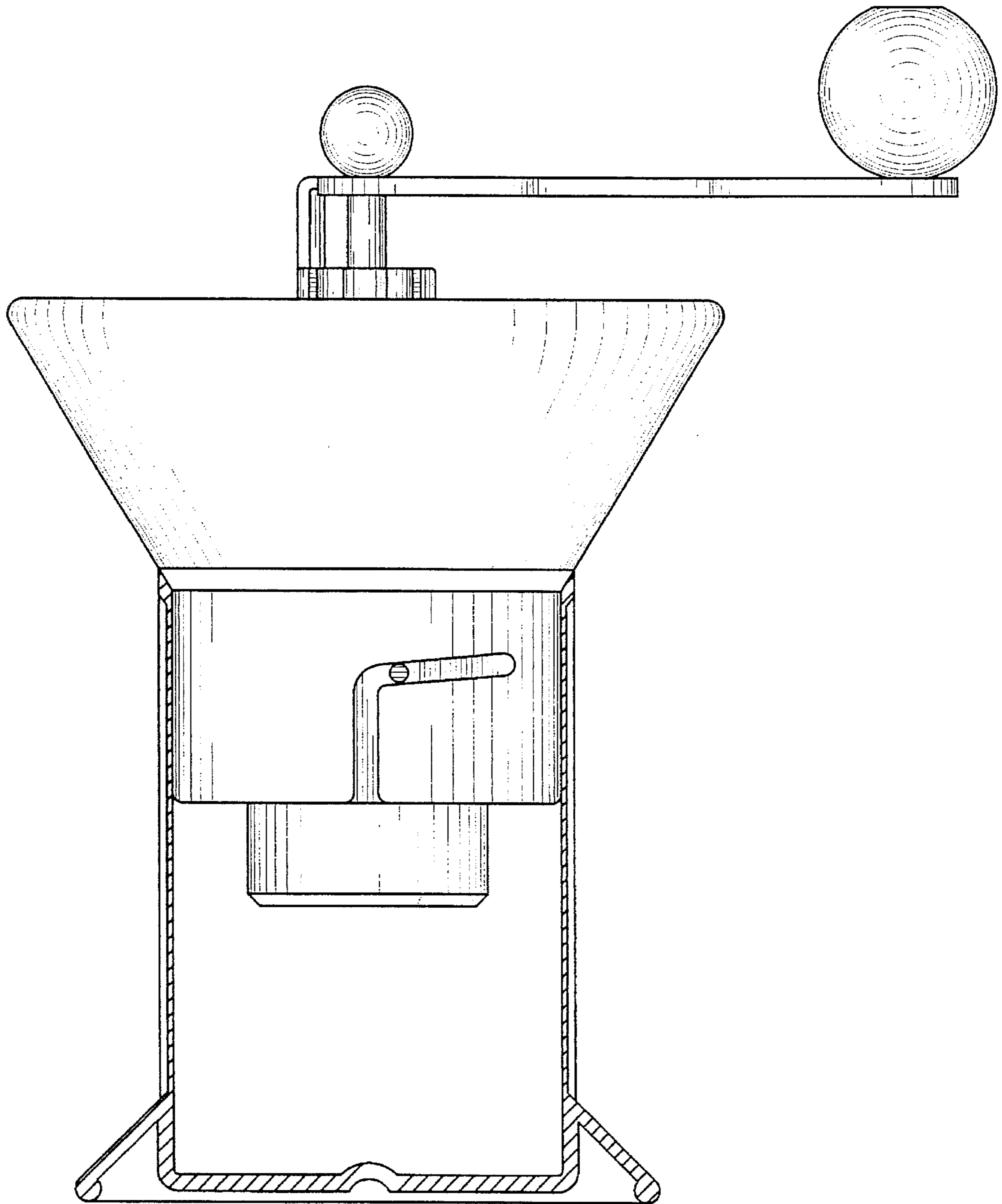
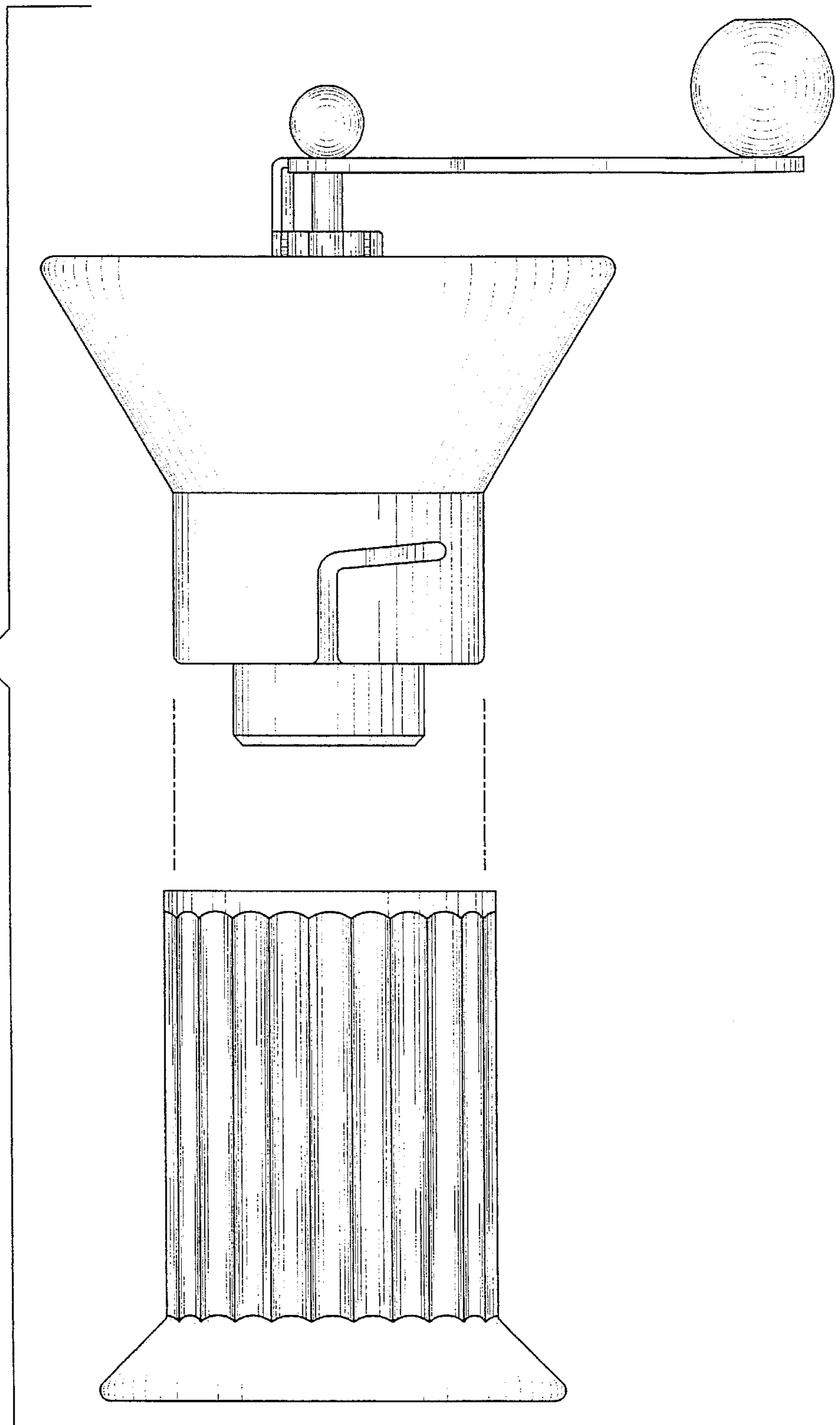


FIG. 6

FIG. 7



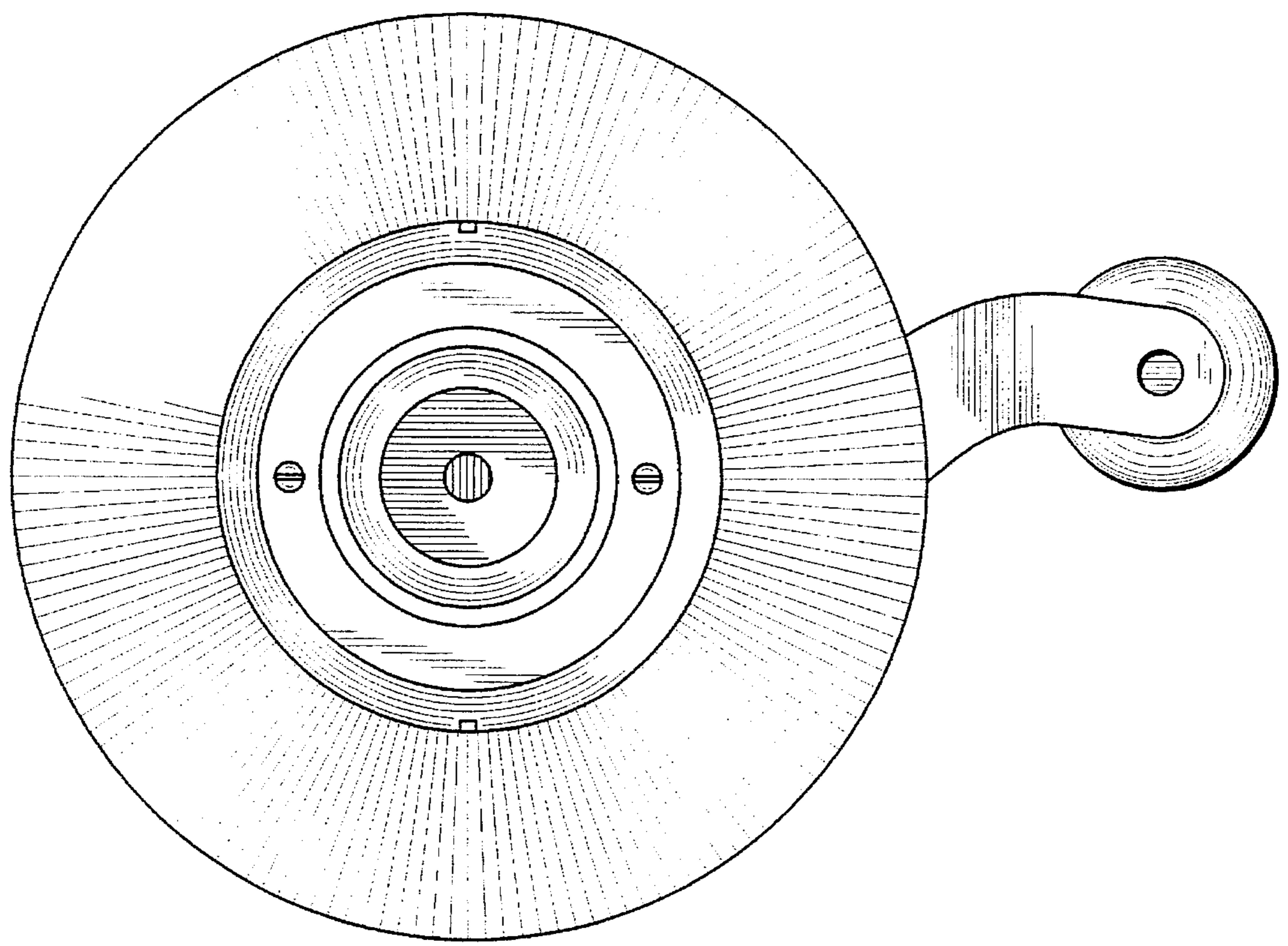


FIG. 8