



US00D365239S

United States Patent [19]

[11] Patent Number: **Des. 365,239**

Emery et al.

[45] Date of Patent: ****Dec. 19, 1995**

[54] **DOOR SHELF ORGANIZER**

[75] Inventors: **William W. Emery**, Berkeley Heights;
Russell A. Fritts, Warren, both of N.J.

[73] Assignee: **Better Sleep Mfg. Co.**, Berkeley Heights, N.J.

[**] Term: **14 Years**

[21] Appl. No.: **21,025**

[22] Filed: **Apr. 7, 1994**

[52] U.S. Cl. **D6/566**

[58] Field of Search D6/524-525, 566-567;
211/13, 86-88, 90, 113, 119, 126, 134,
181

[56] **References Cited**

U.S. PATENT DOCUMENTS

- D. 345,070 3/1994 Warren .
- D. 351,523 10/1994 Rosenthal .

- D. 354,864 1/1995 Kokenge et al. .
- 3,923,162 12/1975 Hussey 211/119 X
- 4,895,334 1/1990 Bajek et al. 211/119 X

Primary Examiner—Brian N. Vinson
Attorney, Agent, or Firm—Hopgood, Calimafde, Kalil & Judlowe

[57] **CLAIM**

The ornamental design for the article door shelf organizer, as shown.

DESCRIPTION

FIG. 1 is a top, front, and left side perspective view of a door shelf organizer showing our new design; FIG. 2 is an enlarged right side elevational view thereof; FIG. 3 is an enlarged front elevational view thereof; FIG. 4 is an enlarged top plan view thereof; FIG. 5 is an enlarged rear elevational view thereof; and, FIG. 6 is an enlarged bottom plan view thereof.

1 Claim, 4 Drawing Sheets

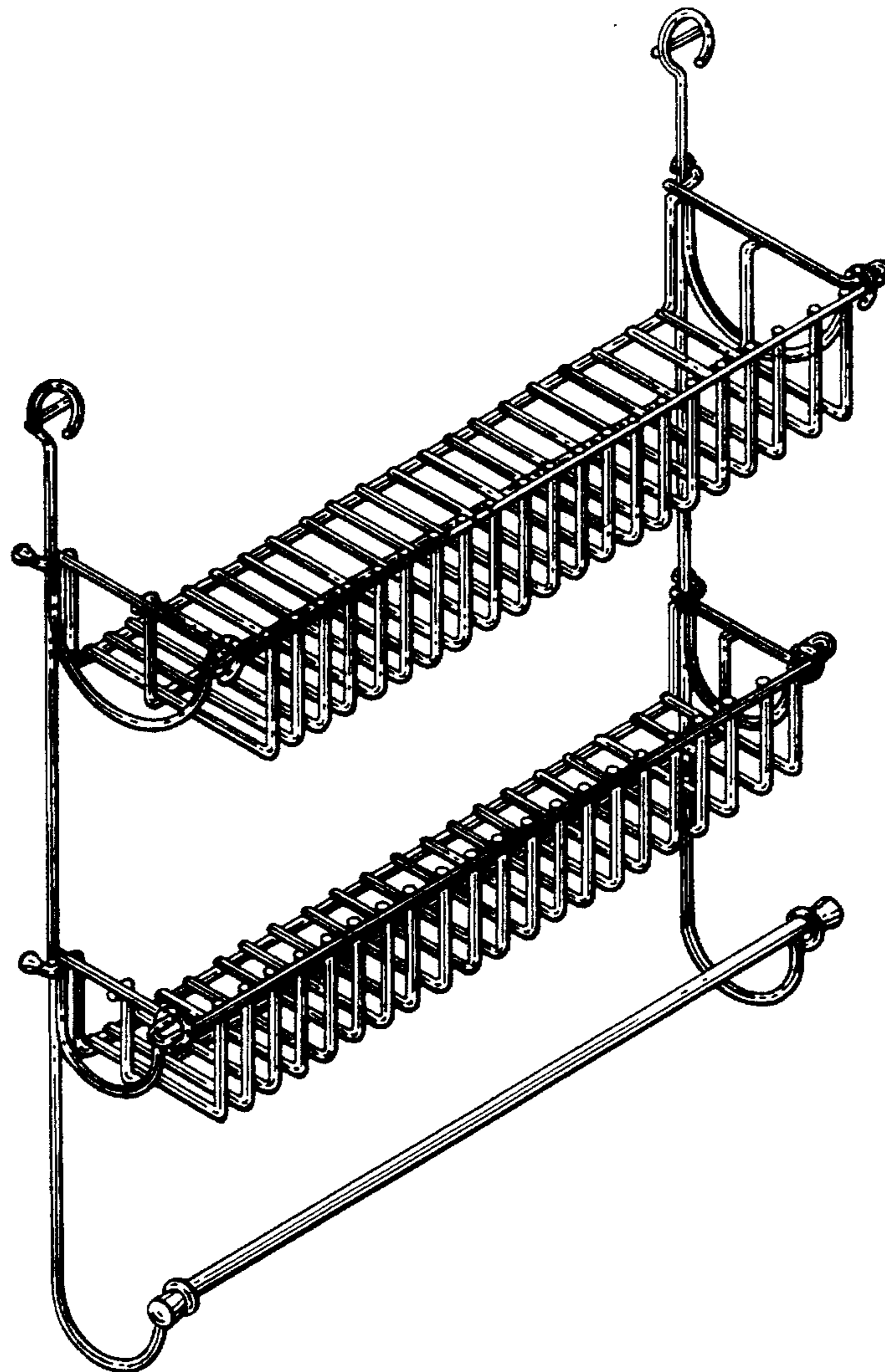


FIG. 1

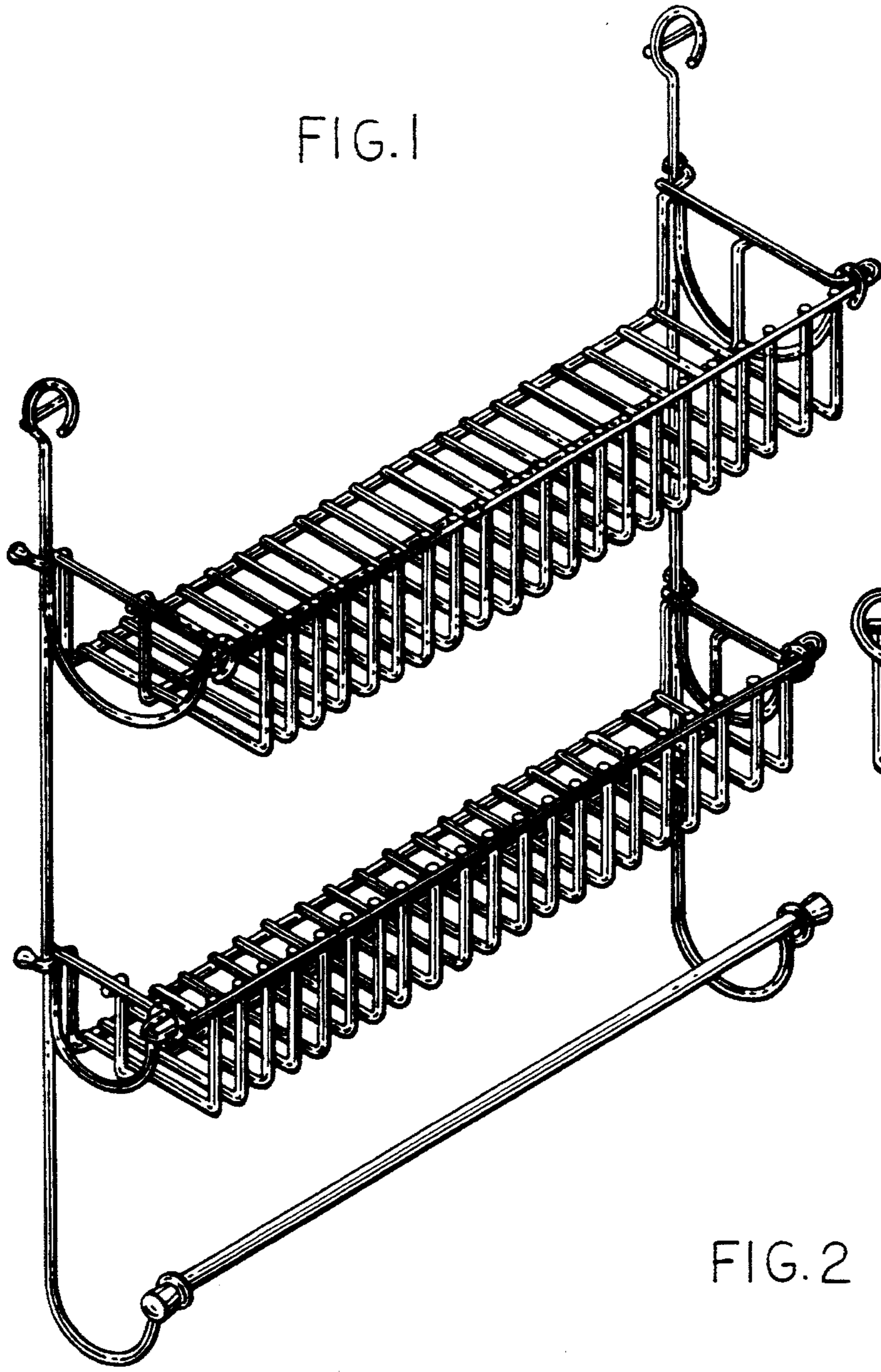
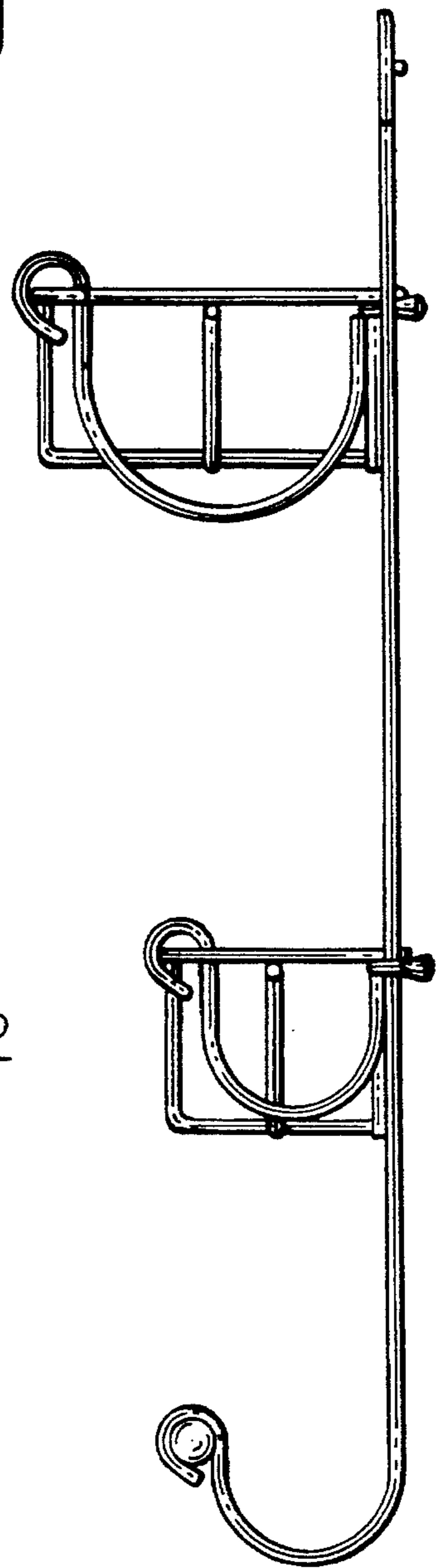


FIG. 2



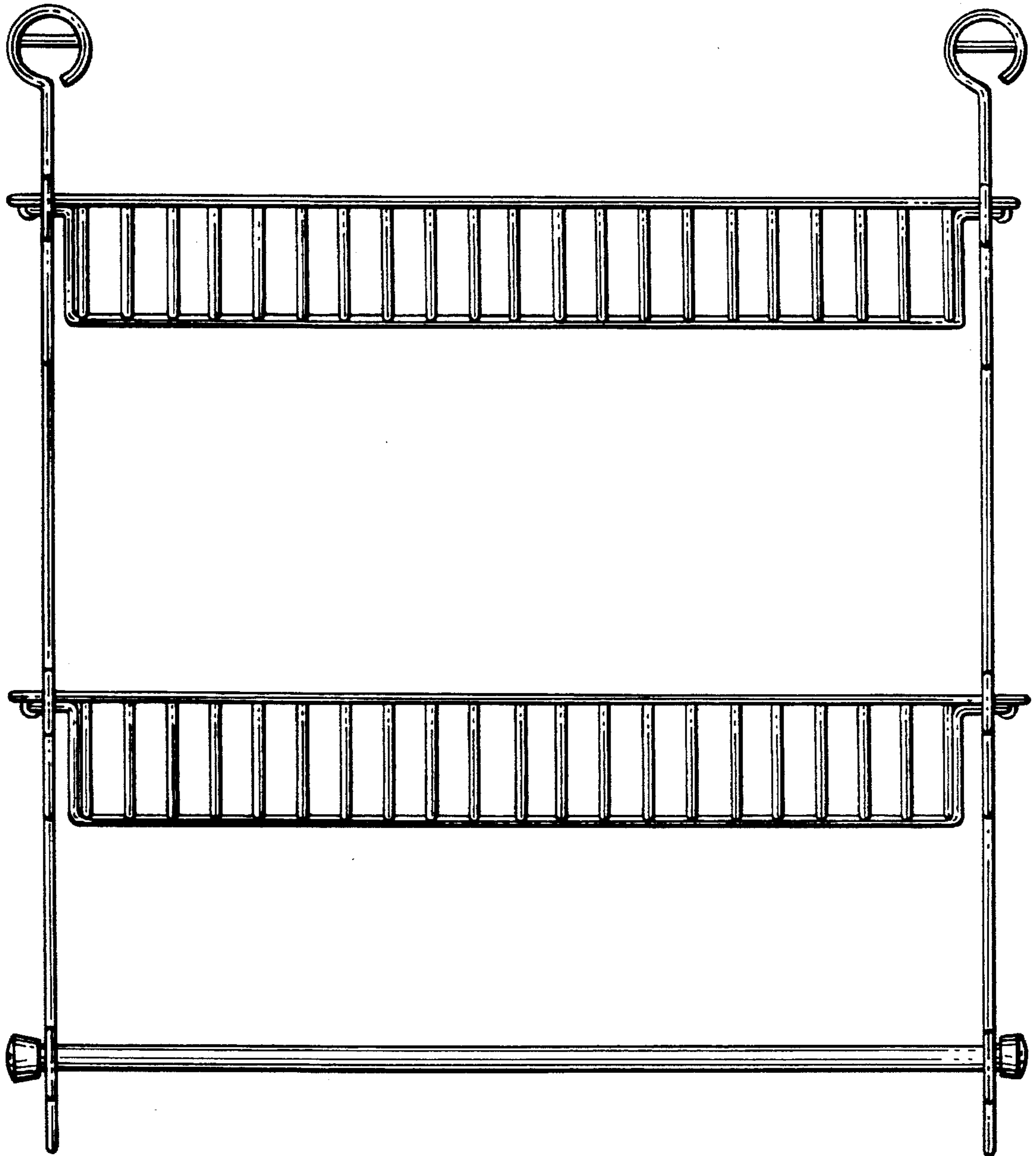


FIG. 3

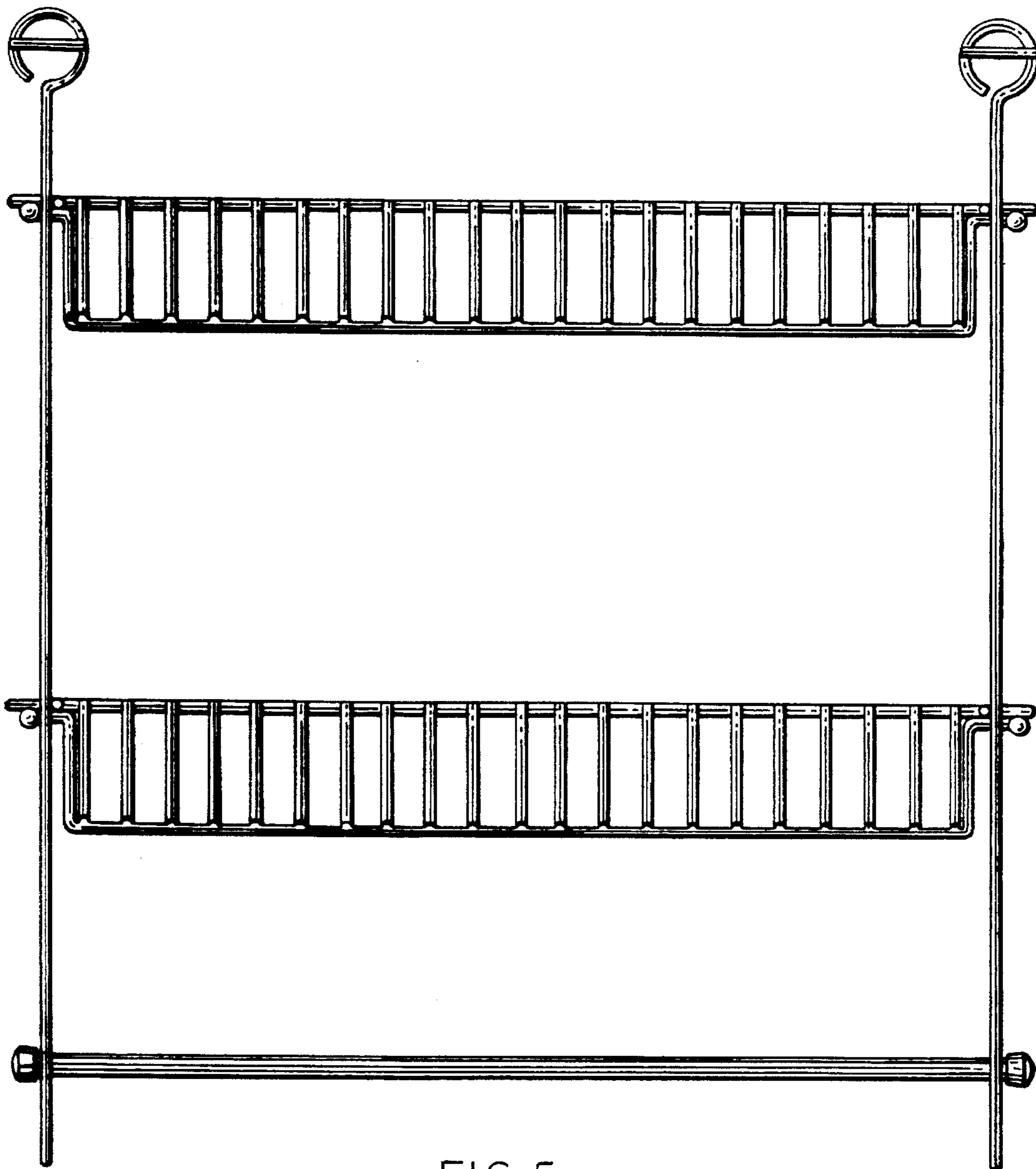
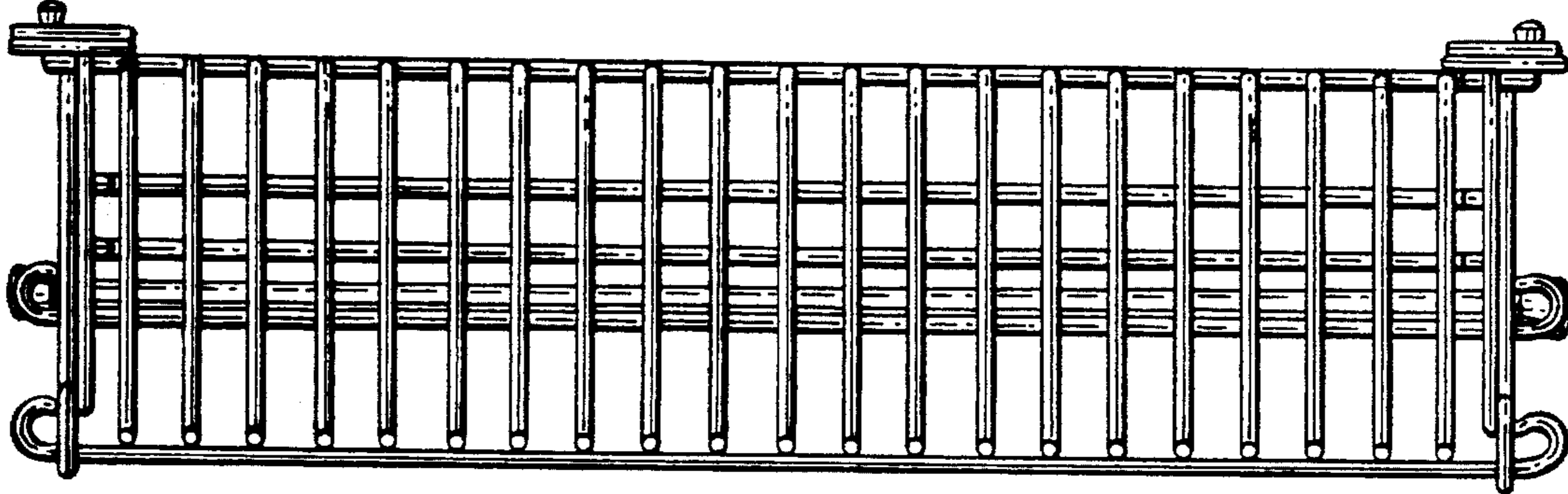


FIG. 5



.FIG.4

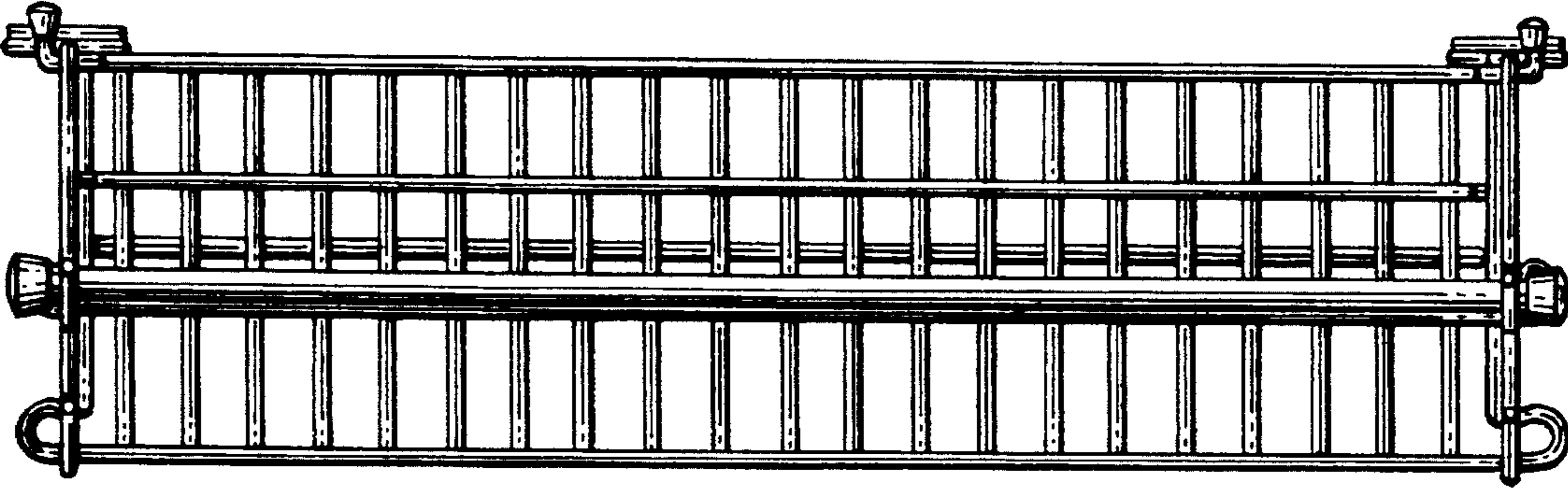


FIG.6