



US00D365237S

# United States Patent [19]

Stirling et al.

[11] Patent Number: **Des. 365,237**

[45] Date of Patent: **\*\*Dec. 19, 1995**

[54] **BOWLING BALL RACK AND TABLE**

[75] Inventors: **Michael F. Stirling; Michael J. Katje,**  
both of Spring Lake, Mich.

[73] Assignee: **Brunswick Bowling & Billiards Corporation,** Muskegon, Mich.

[\*\*] Term: **14 Years**

[21] Appl. No.: **33,107**

[22] Filed: **Jan. 5, 1995**

[52] U.S. Cl. .... **D6/552; D6/458; D6/488**

[58] Field of Search ..... D21/208, 221;  
211/13, 14, 74, 71; D6/552, 455, 457-461,  
486-487

[56] **References Cited**

**U.S. PATENT DOCUMENTS**

D. 107,756	1/1938	Erikson	.....	D6/460
D. 222,567	11/1971	Cohen	.....	D6/458 X
D. 228,984	11/1973	Miller, Jr.	.....	D6/458
D. 236,923	9/1975	Kinzie	.....	D6/459
D. 237,565	11/1975	Warren et al.	.....	D6/457 X
D. 260,464	9/1981	Alexander	.....	D6/486 X

D. 313,715	1/1991	Ohno	.....	D6/552
D. 337,009	7/1993	Downing	.....	D6/486
D. 338,578	8/1993	Tihany	.....	D6/486
D. 357,832	5/1995	Yeh	.....	D6/488
3,198,338	8/1965	McCormick	.....	211/14
4,077,514	3/1978	Kubokawa	.....	211/14 X

*Primary Examiner*—Jeffrey Asch  
*Attorney, Agent, or Firm*—Price, Heneveld, Cooper, DeWitt & Litton

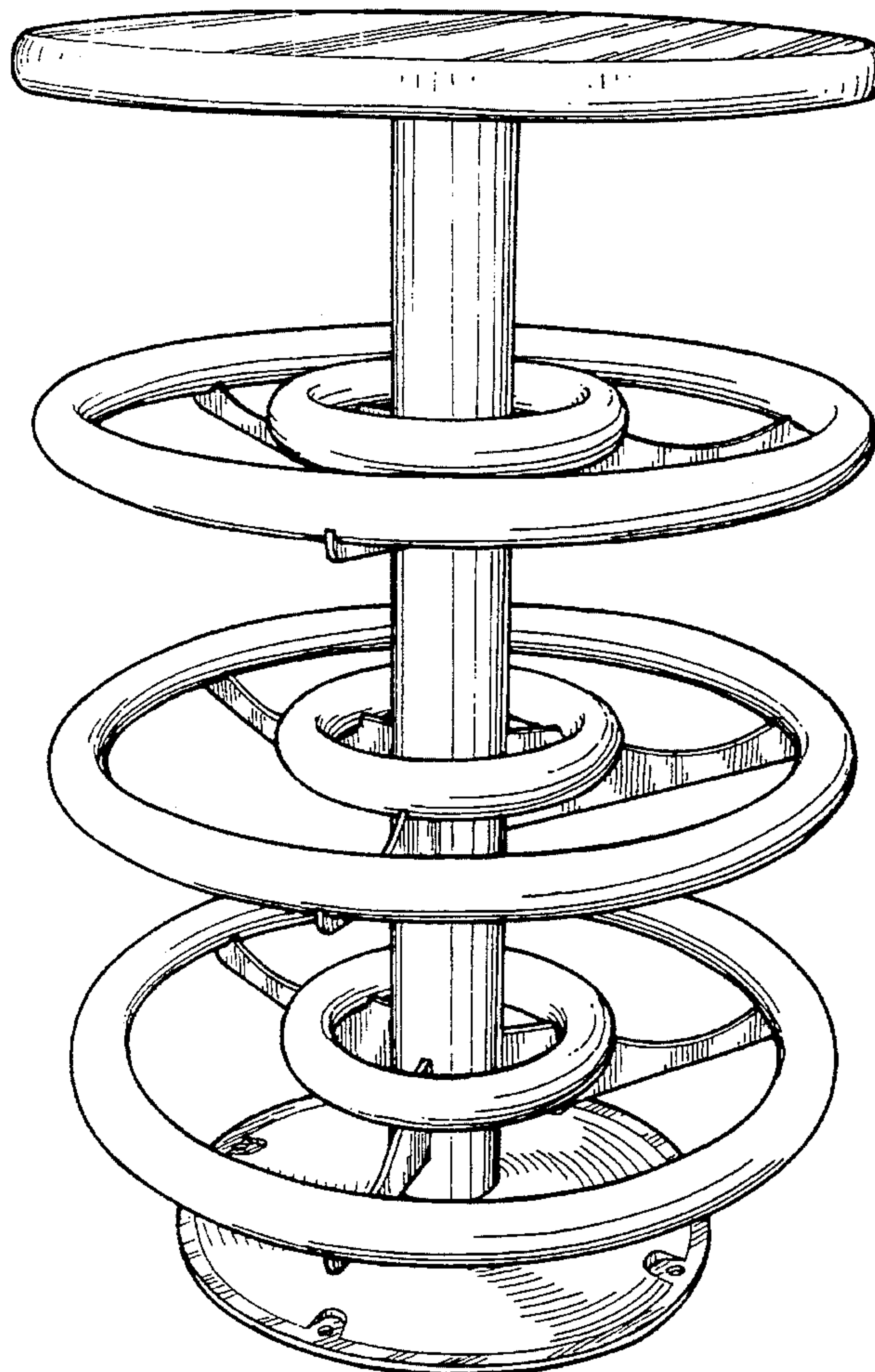
[57] **CLAIM**

The ornamental design for the bowling ball rack and table, as shown and described.

**DESCRIPTION**

FIG. 1 is a front perspective view of a bowling ball rack and table showing our new design; FIG. 2 is an elevational view thereof; FIG. 3 is a top plan view thereof; FIG. 4 is a sectional view thereof taken on plane 4—4 of FIG. 2; and, FIG. 5 is a sectional view thereof taken on plane 5—5 of FIG. 2.

**1 Claim, 2 Drawing Sheets**



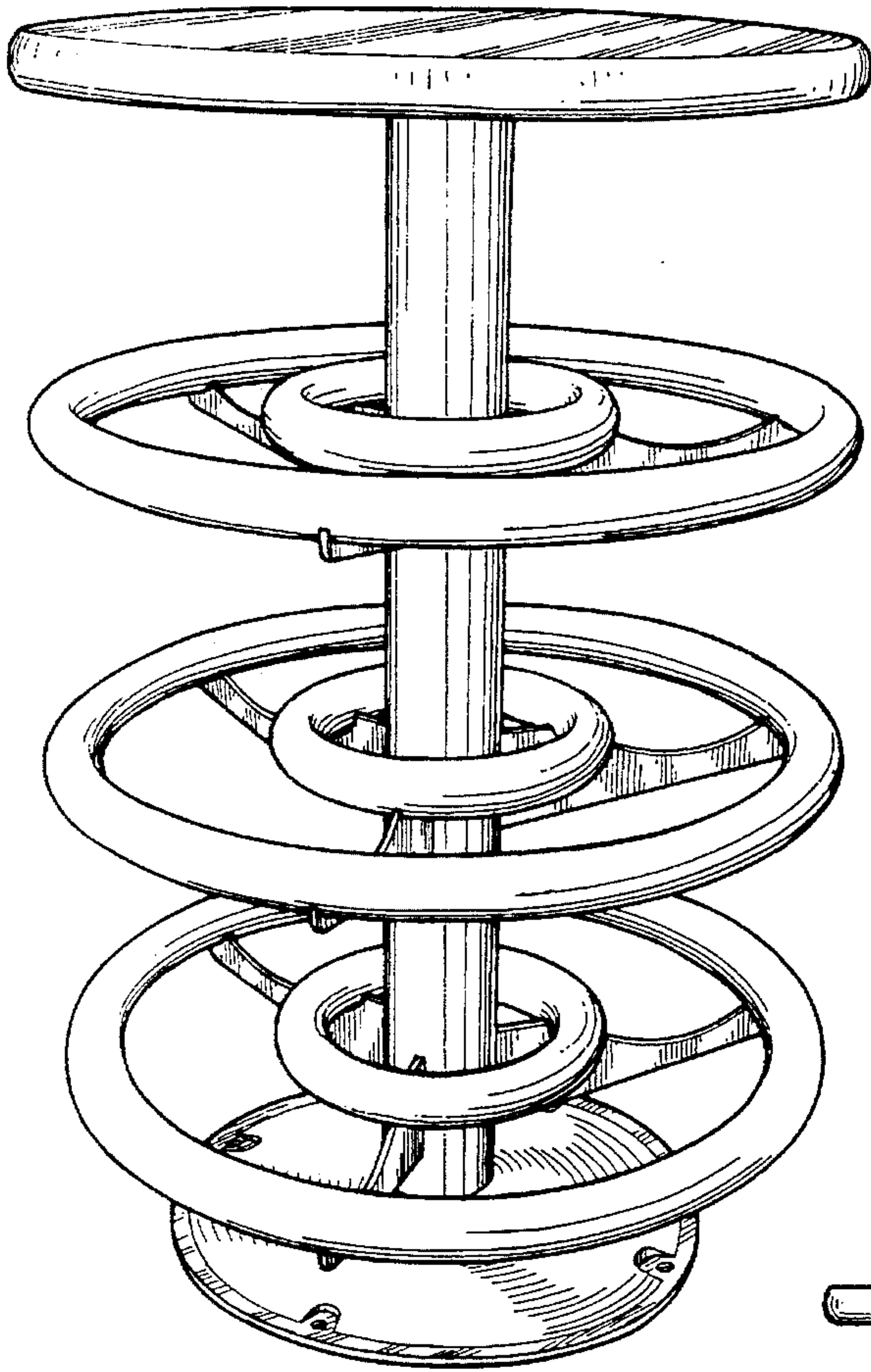


FIG. 1

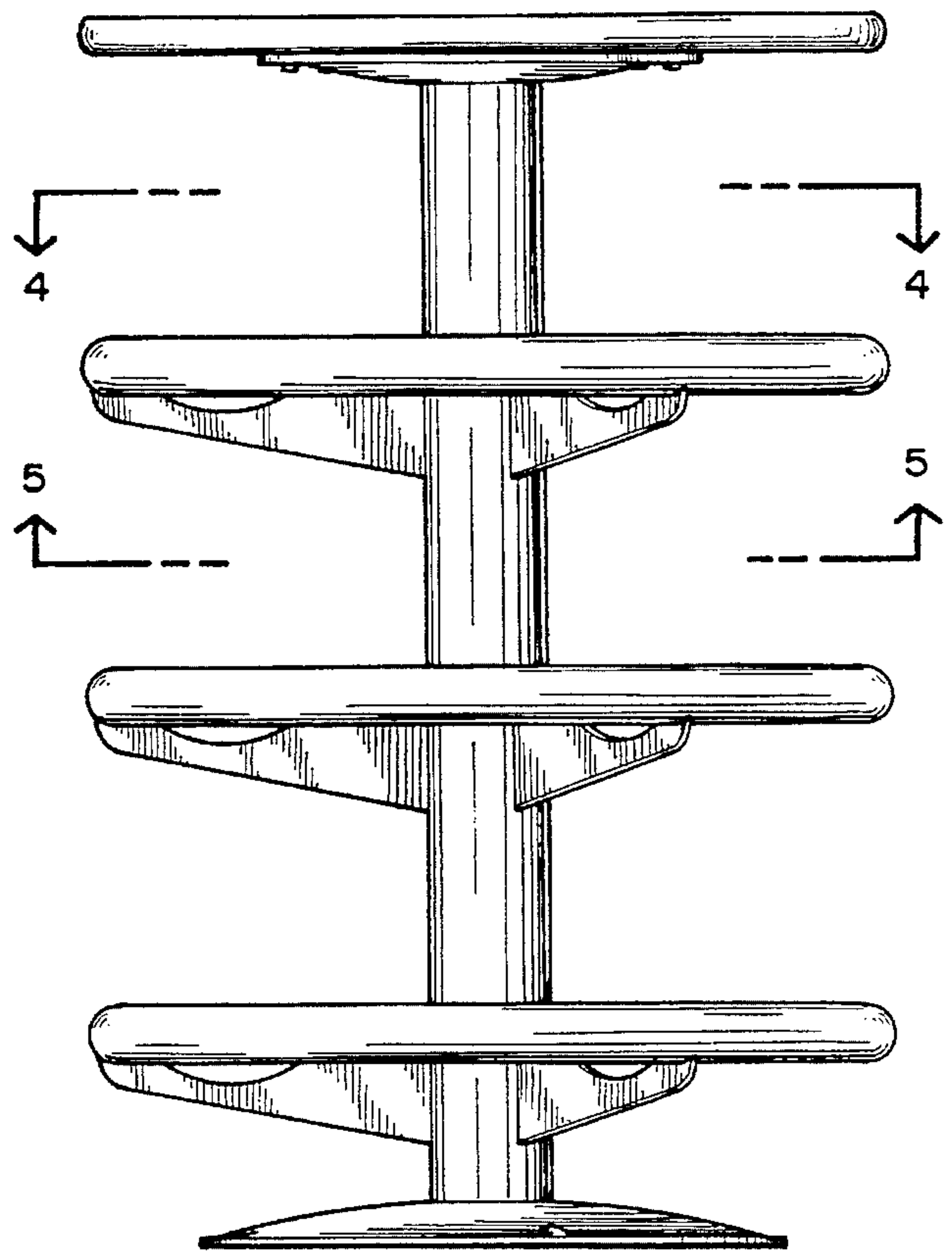


FIG. 2

FIG. 3

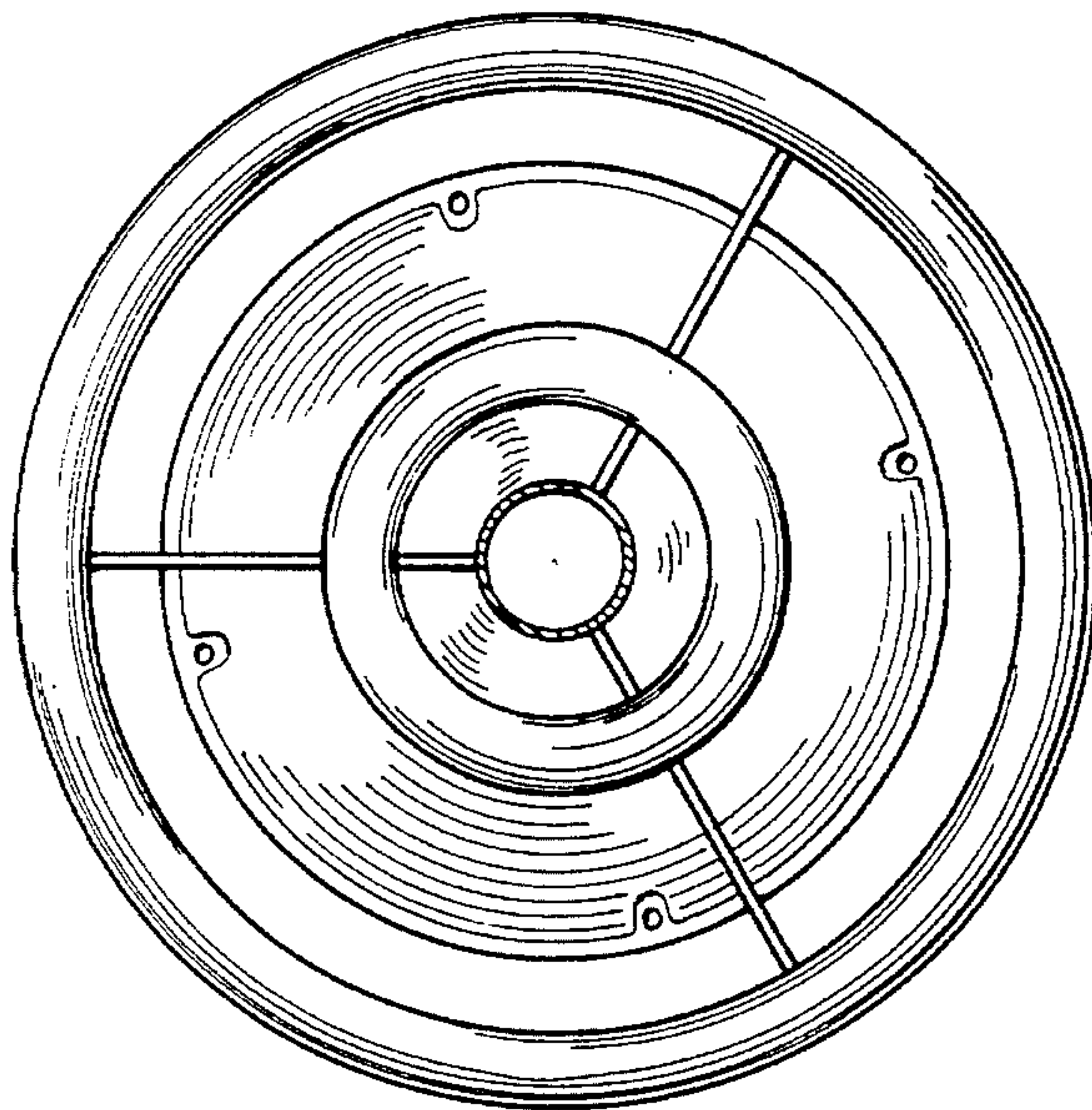
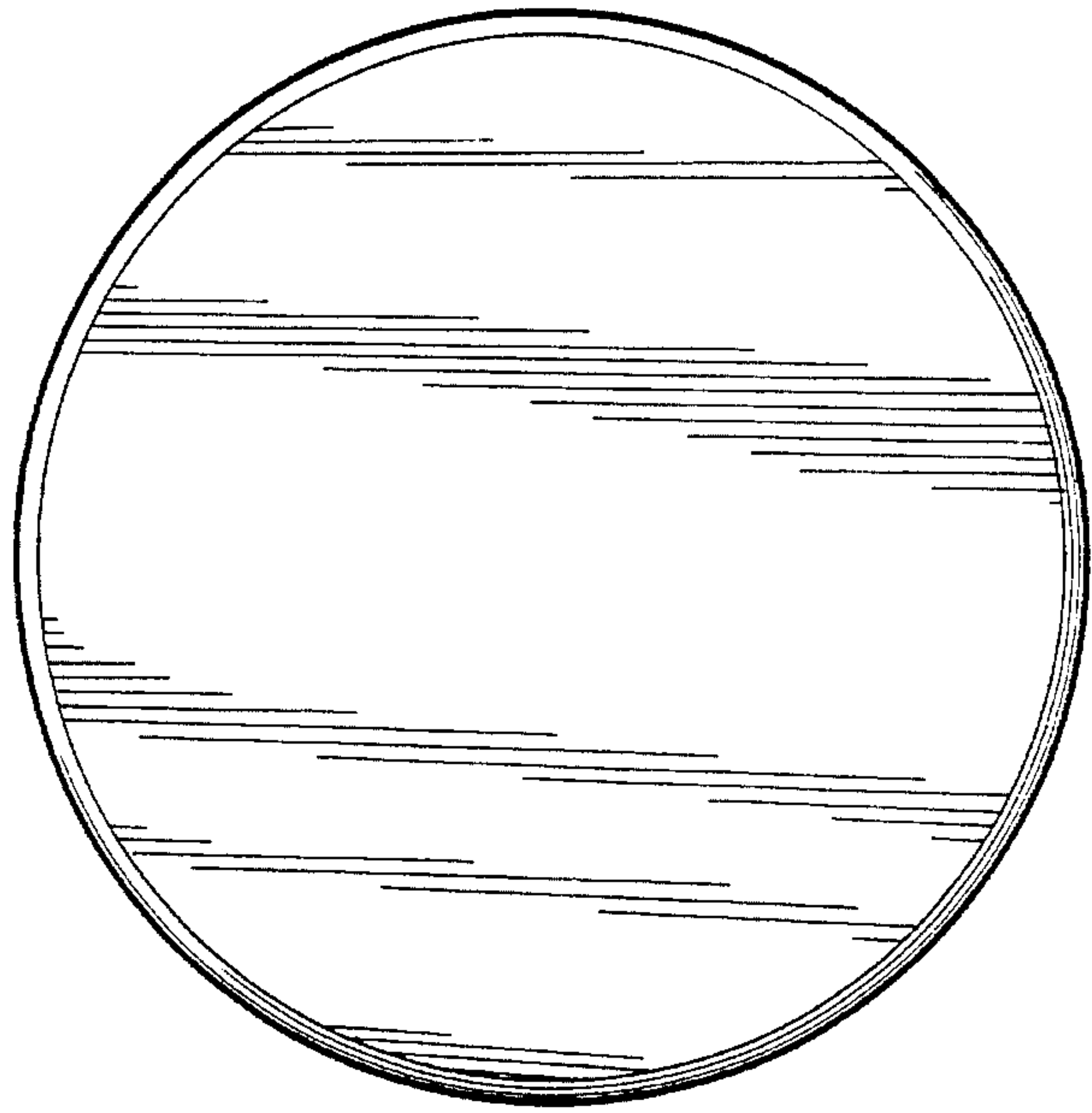


FIG. 4

FIG. 5

