



US00D365235S

United States Patent [19]

Jodwischat

[11] Patent Number: **Des. 365,235**

[45] Date of Patent: ****Dec. 19, 1995**

[54] **SOAP HOLDING DEVICE**

[75] Inventor: **Gerhard D. Jodwischat**, Simi Valley, Calif.

[73] Assignee: **Coger Industries, Inc.**, West Palmdale, Calif.

[**] Term: **14 Years**

[21] Appl. No.: **19,377**

[22] Filed: **Mar. 1, 1994**

D. 223,501	4/1972	Hamburg	D6/538
D. 253,148	10/1979	Heckler	D6/538
D. 277,820	3/1985	Maayeh	D6/538
D. 341,049	11/1993	Hugh	D6/538
2,825,177	3/1958	Nordloff	248/309.4 X
3,552,705	1/1971	Caster	248/309.4 X

Primary Examiner—Brian N. Vinson
Attorney, Agent, or Firm—Klima & Hopkins

[57] **CLAIM**

The ornamental design for a soap holding device, as shown and described.

Related U.S. Application Data

[63] Continuation-in-part of Ser. No. 975,714, Nov. 13, 1992, Pat. No. 5,368,268.

[52] **U.S. Cl.** **D6/538**

[58] **Field of Search** D6/536, 538; 248/309.1, 248/309.4, 683, 684; 211/DIG. 1

DESCRIPTION

FIG. 1 is a bottom, front, and left side perspective view of a magnetic soap holder showing my new design; FIG. 2 is a front elevational view thereof; FIG. 3 is a rear elevational view thereof; FIG. 4 is a top plan view thereof; FIG. 5 is a bottom plan view thereof; and, FIG. 6 is a left side elevational view thereof, the right side being a mirror image of that shown.

[56] **References Cited**

U.S. PATENT DOCUMENTS

D. 217,164 4/1970 Jarema D6/538

1 Claim, 1 Drawing Sheet

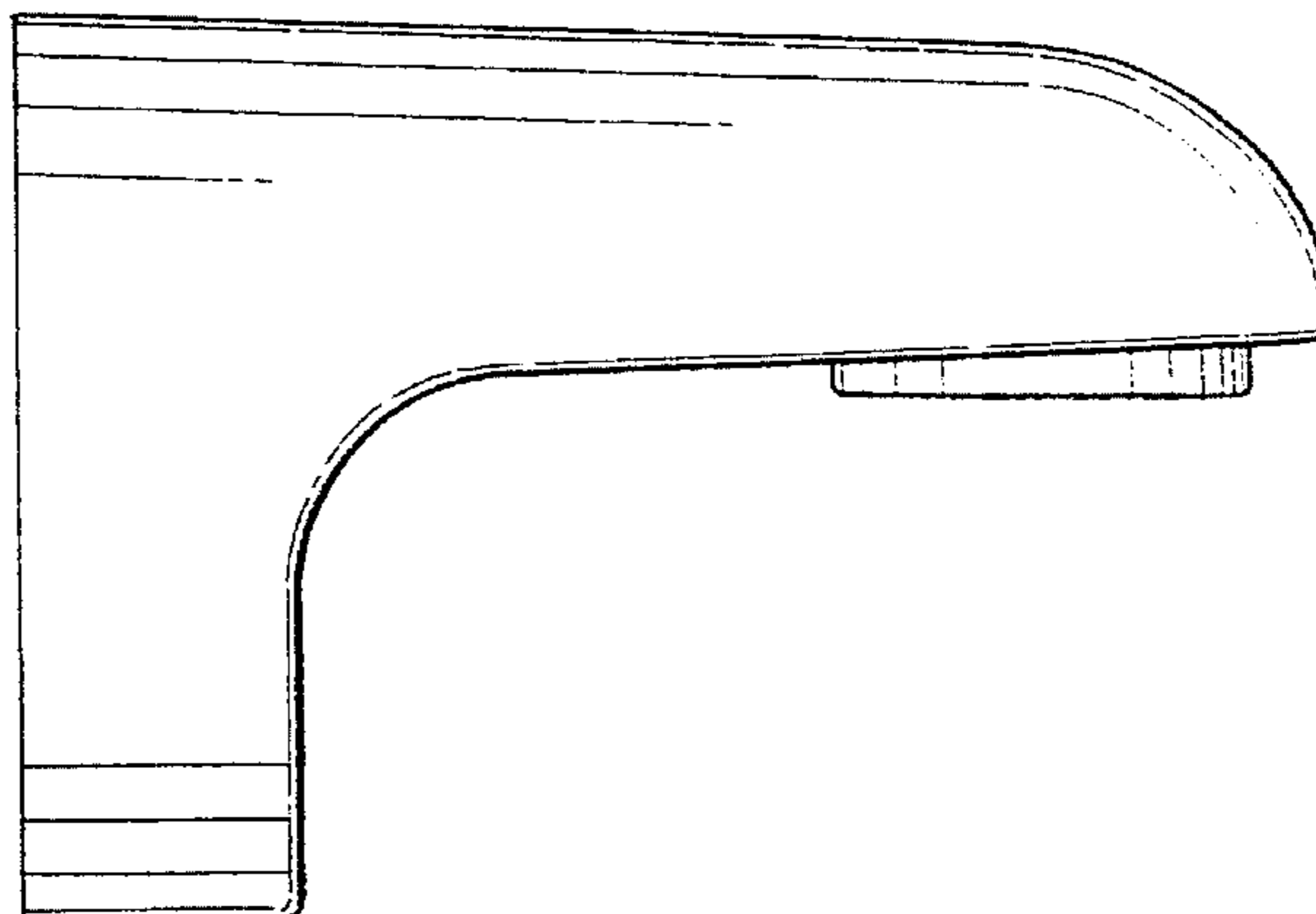
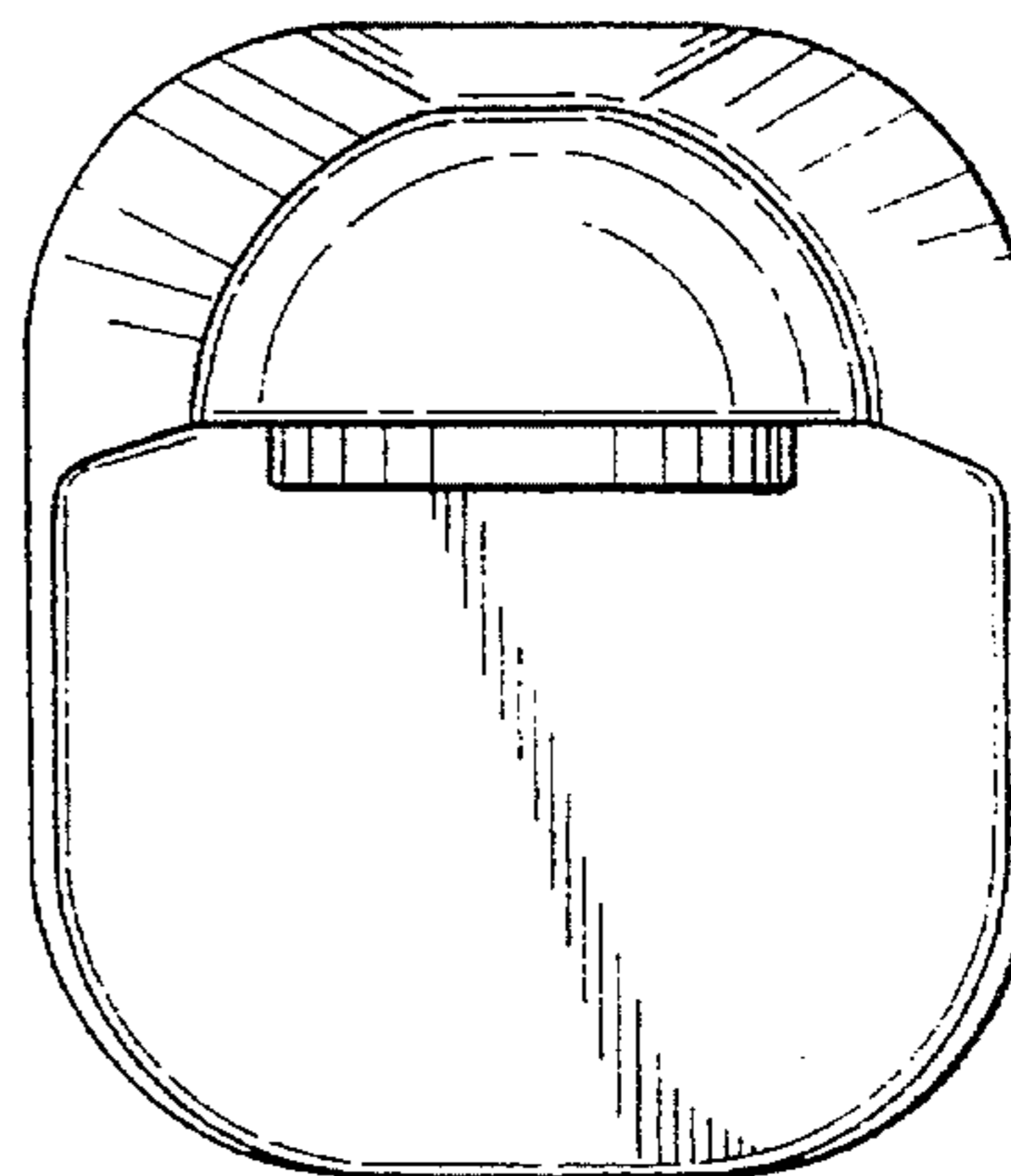
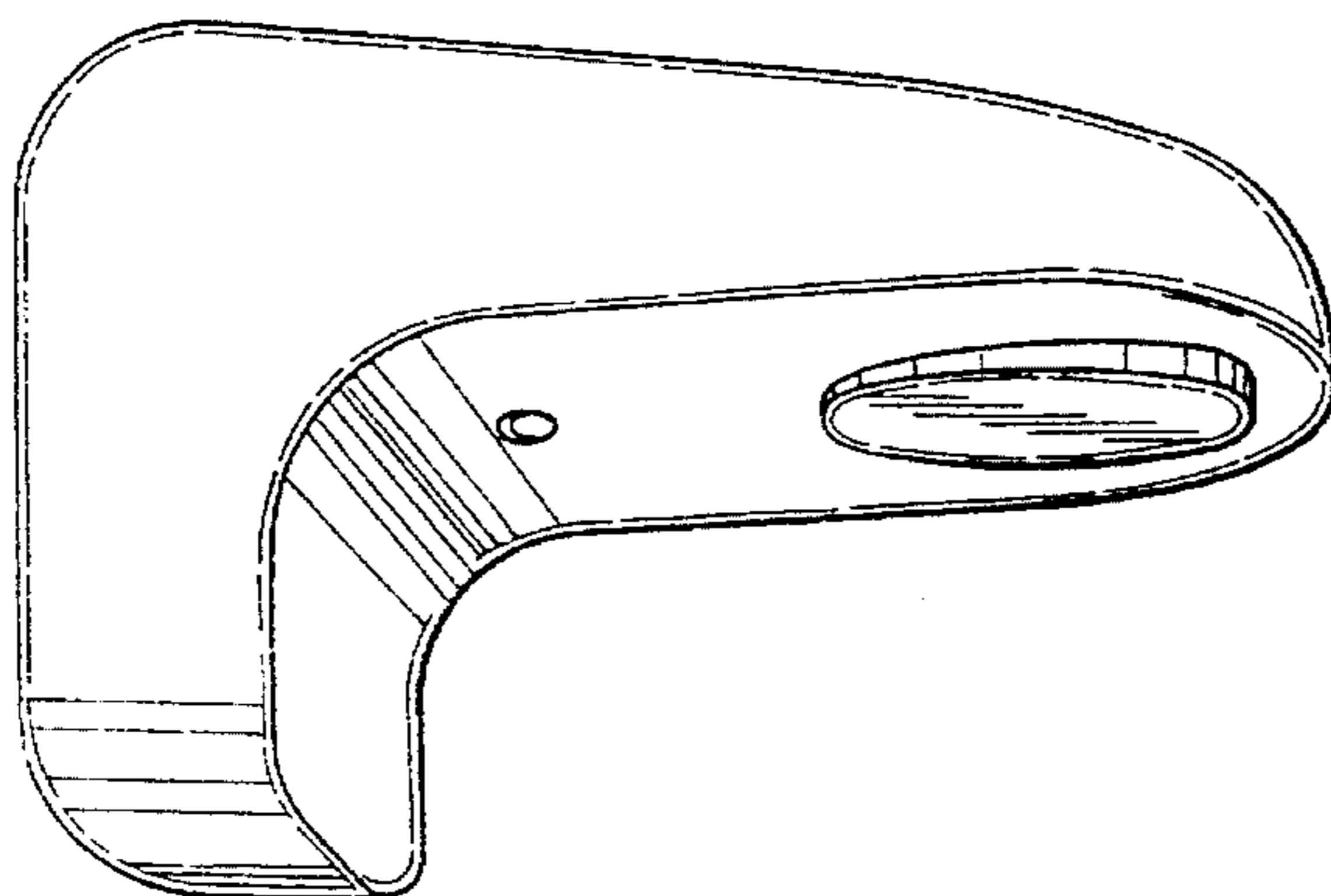


FIG. 1

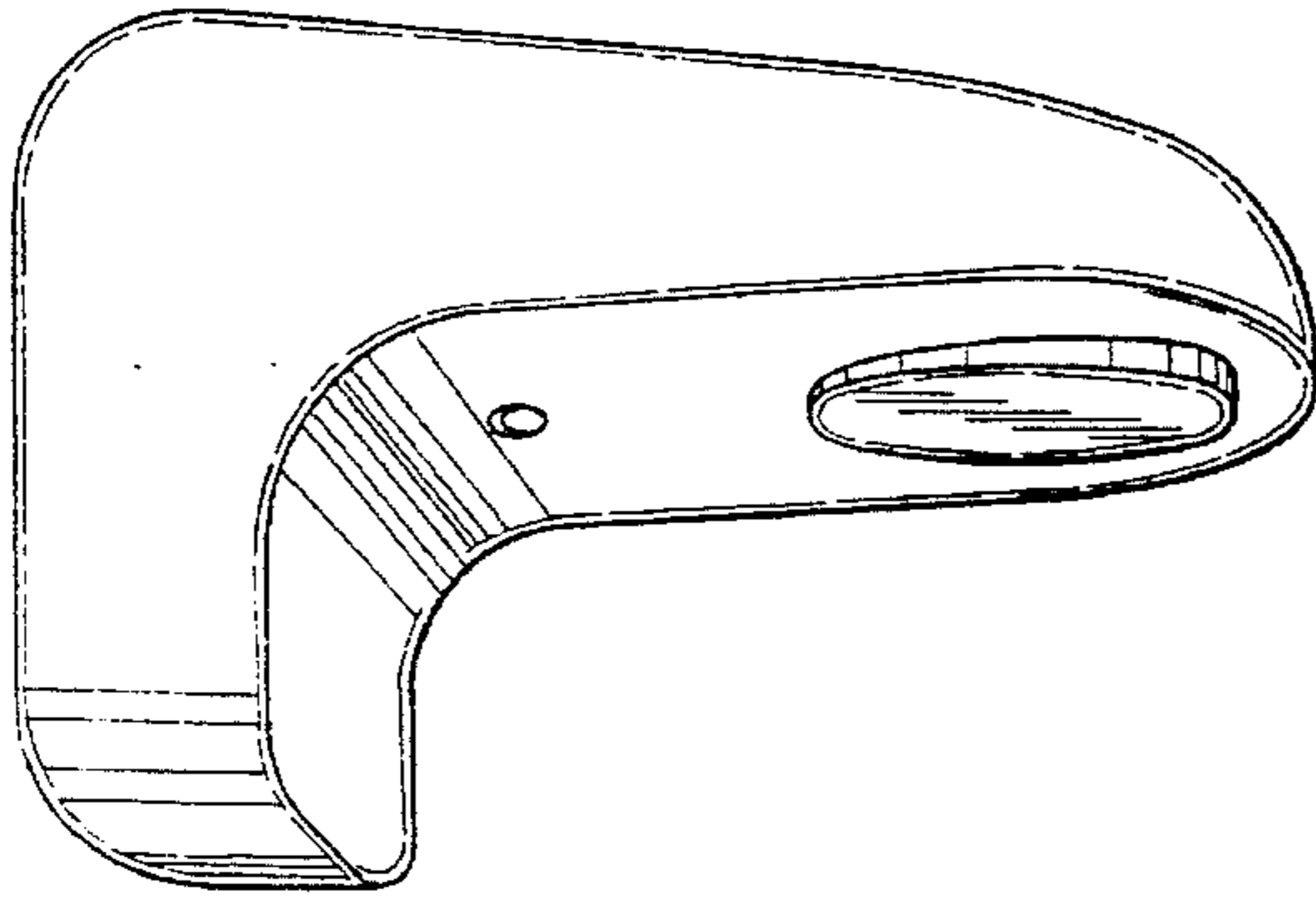


FIG. 2

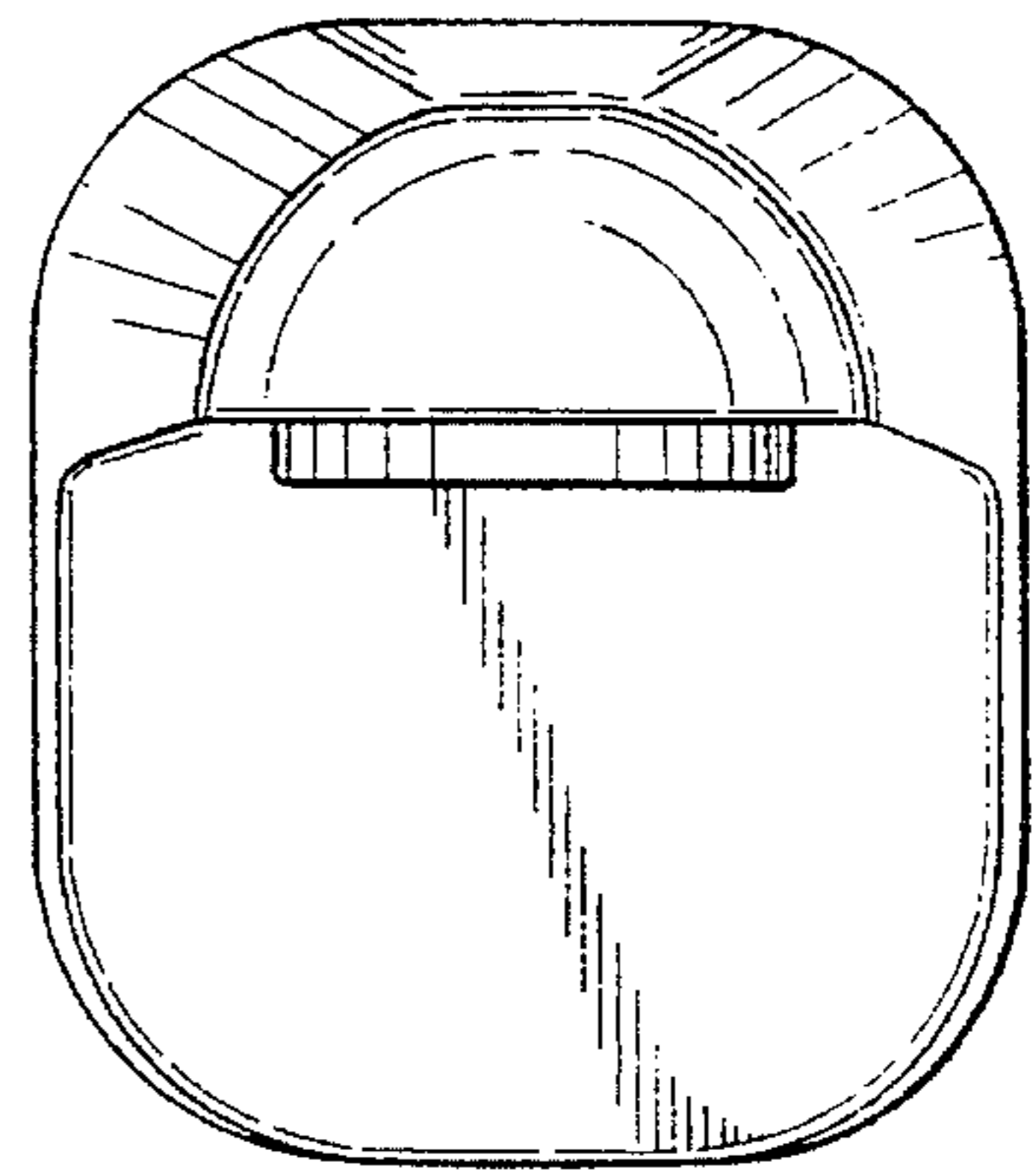


FIG. 3

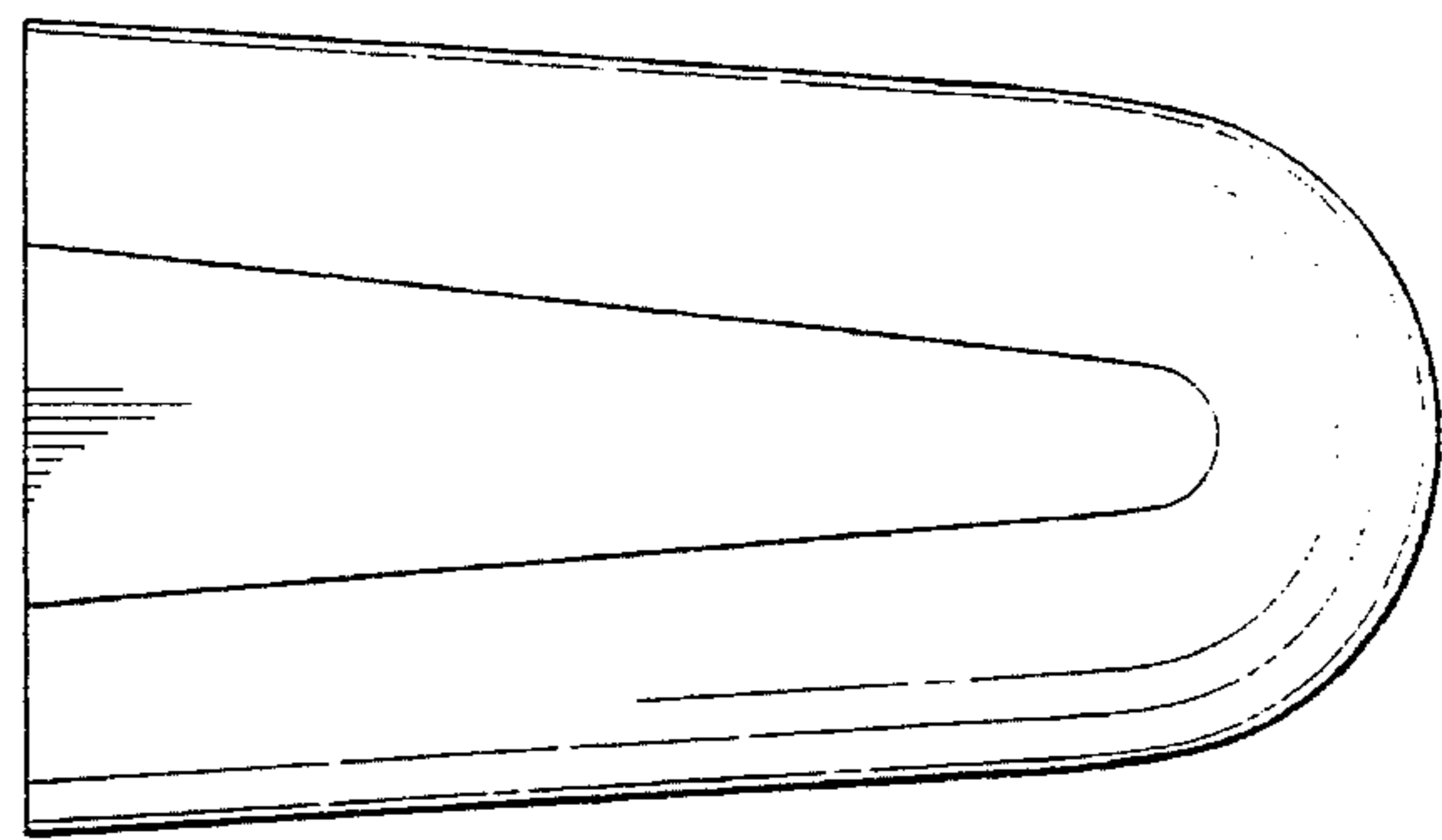
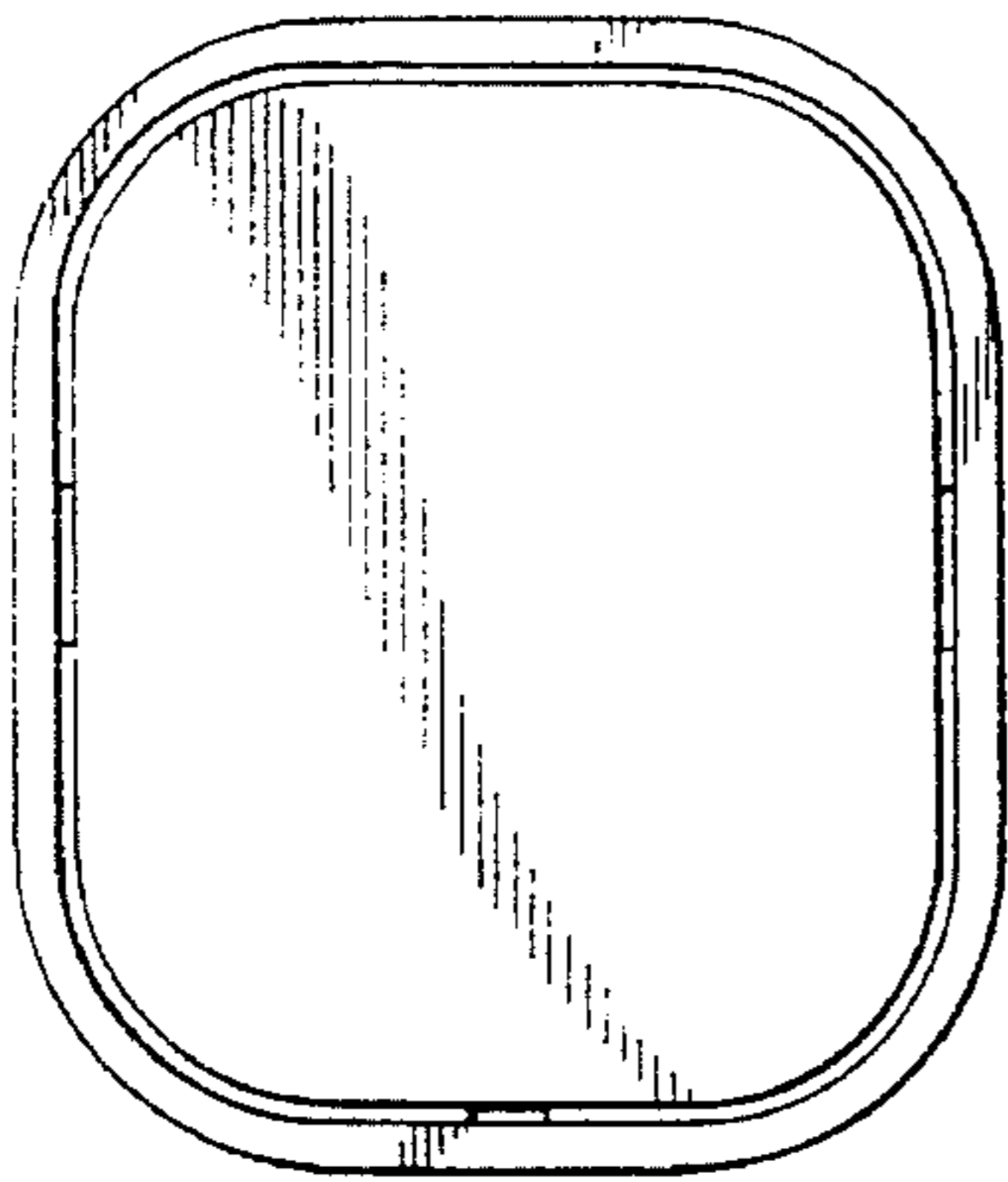


FIG. 4

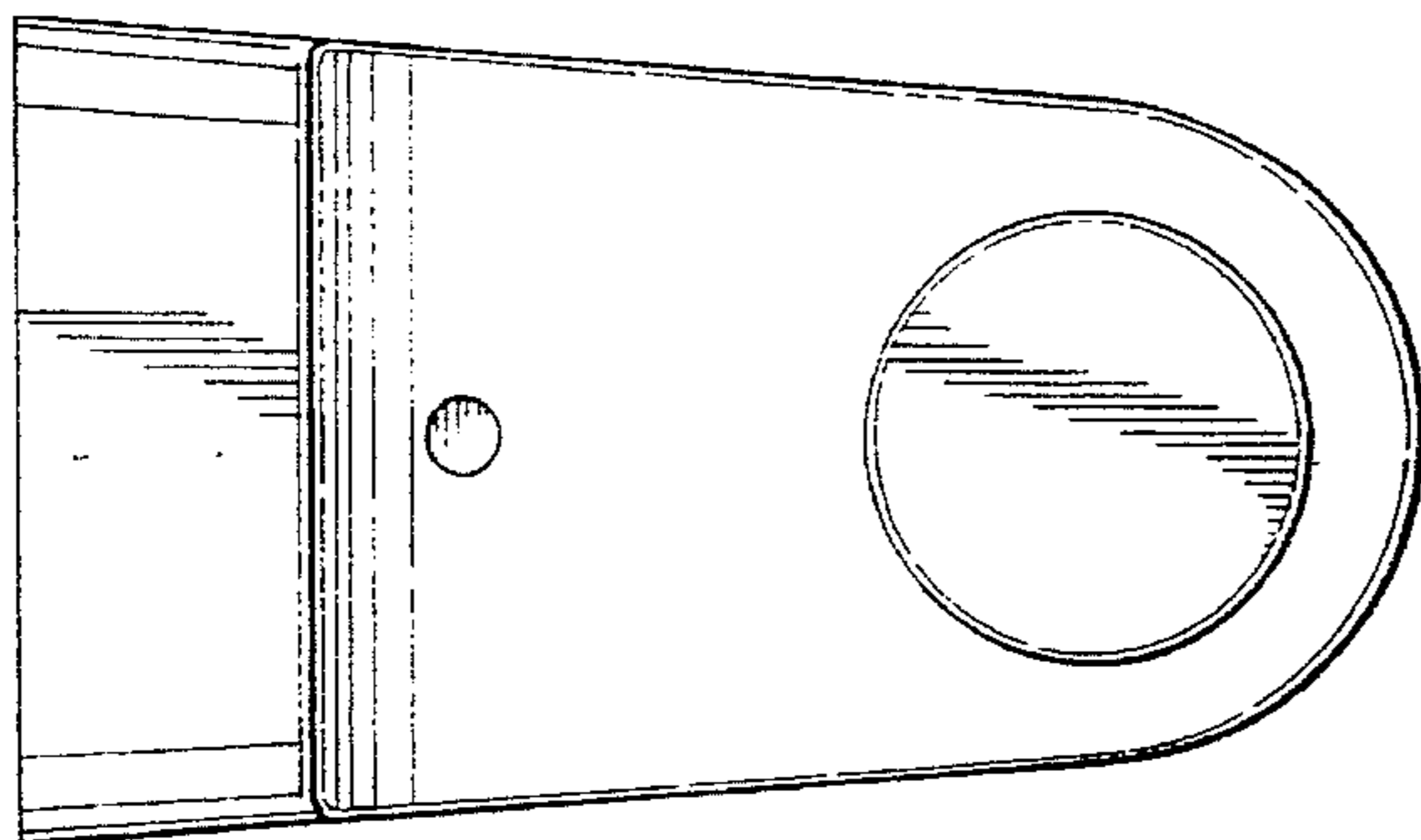


FIG. 5

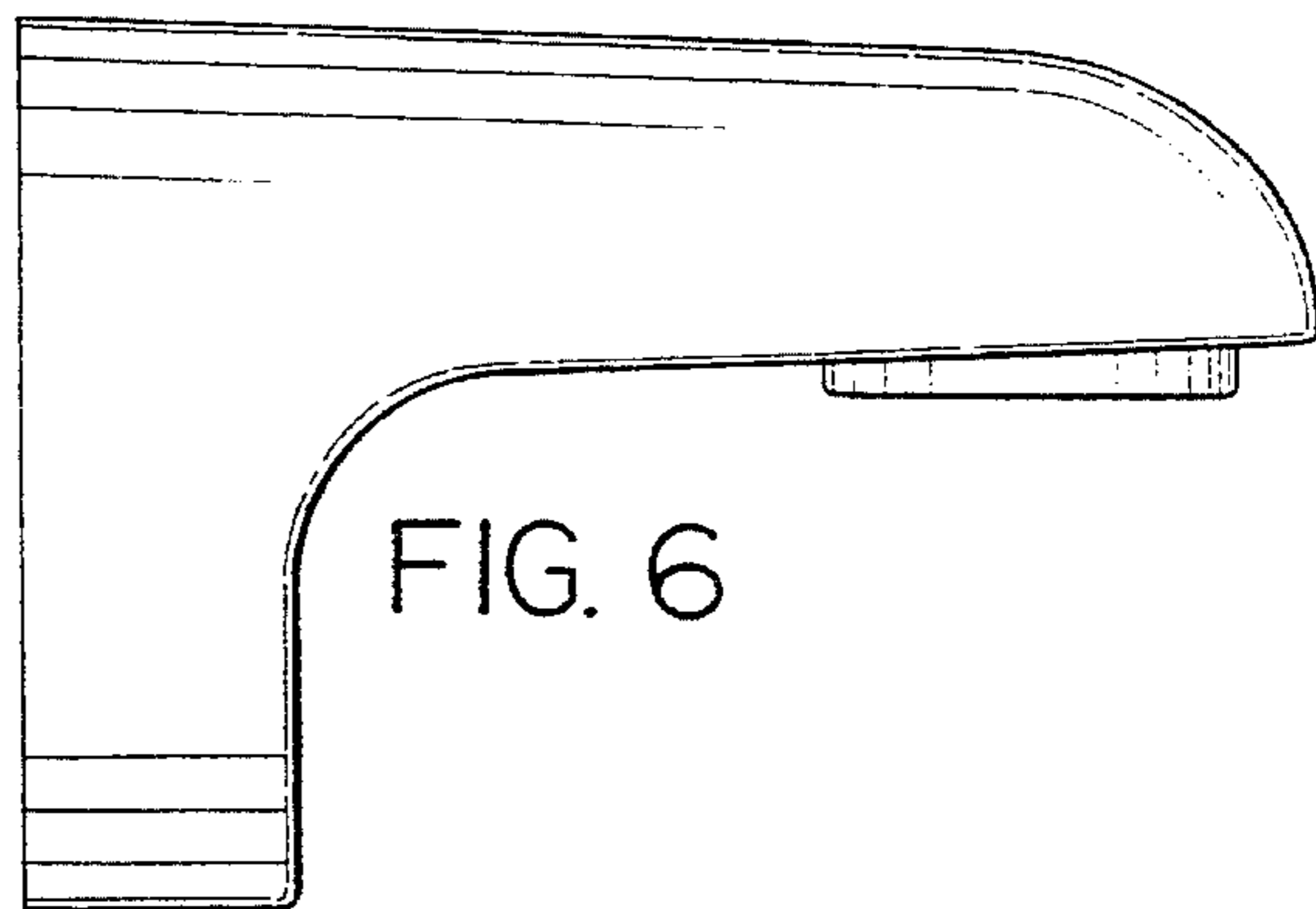


FIG. 6