



US00D365234S

United States Patent [19]

[11] Patent Number: Des. 365,234

Bragazzi et al.

[45] Date of Patent: **Dec. 19, 1995

[54] TOILET TISSUE HOLDER

- D. 318,770 8/1991 Grisel .
- D. 327,593 7/1992 Emery .
- 4,025,004 5/1977 Massey .
- 4,326,678 4/1982 Hamm .
- 4,344,583 8/1982 Drum .

[76] Inventors: **Mark A. Bragazzi; Tony A. Bragazzi,**
both of 8373 S. White Cloud Ct.,
Highlands Ranch, Colo. 80126

[**] Term: 14 Years

Primary Examiner—Kay H. Chin

[21] Appl. No.: 31,081

[57] CLAIM

[22] Filed: Nov. 17, 1994

The ornamental design for the toilet tissue holder, as shown and described.

[52] U.S. Cl. D6/523

DESCRIPTION

[58] Field of Search D6/523, 522, 549,
D6/518, 519; 242/598, 590, 599, 599.4,
564; 248/311.2

FIG. 1 is a front elevational view of the toilet tissue holder showing our new design;
FIG. 2 is a rear elevational view thereof;
FIG. 3 is a left side elevational view thereof;
FIG. 4 is a right side elevational view thereof;
FIG. 5 is a top plan view thereof; and,
FIG. 6 is a bottom plan view thereof.

[56] References Cited

U.S. PATENT DOCUMENTS

- D. 259,310 5/1981 Crowe D6/523
- D. 303,891 10/1989 Lee D6/523
- D. 305,488 1/1990 Korpijaako D6/523

1 Claim, 3 Drawing Sheets

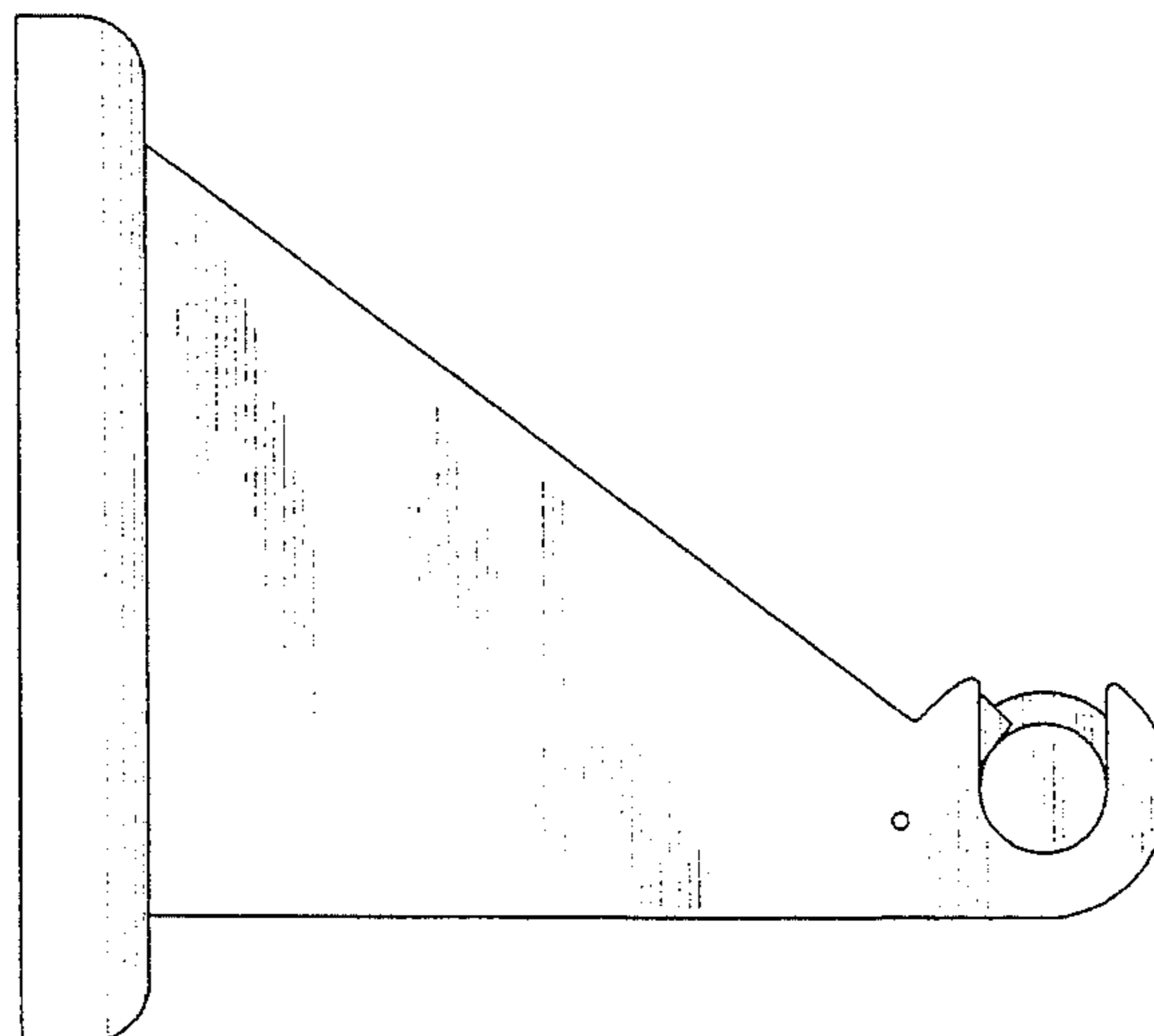
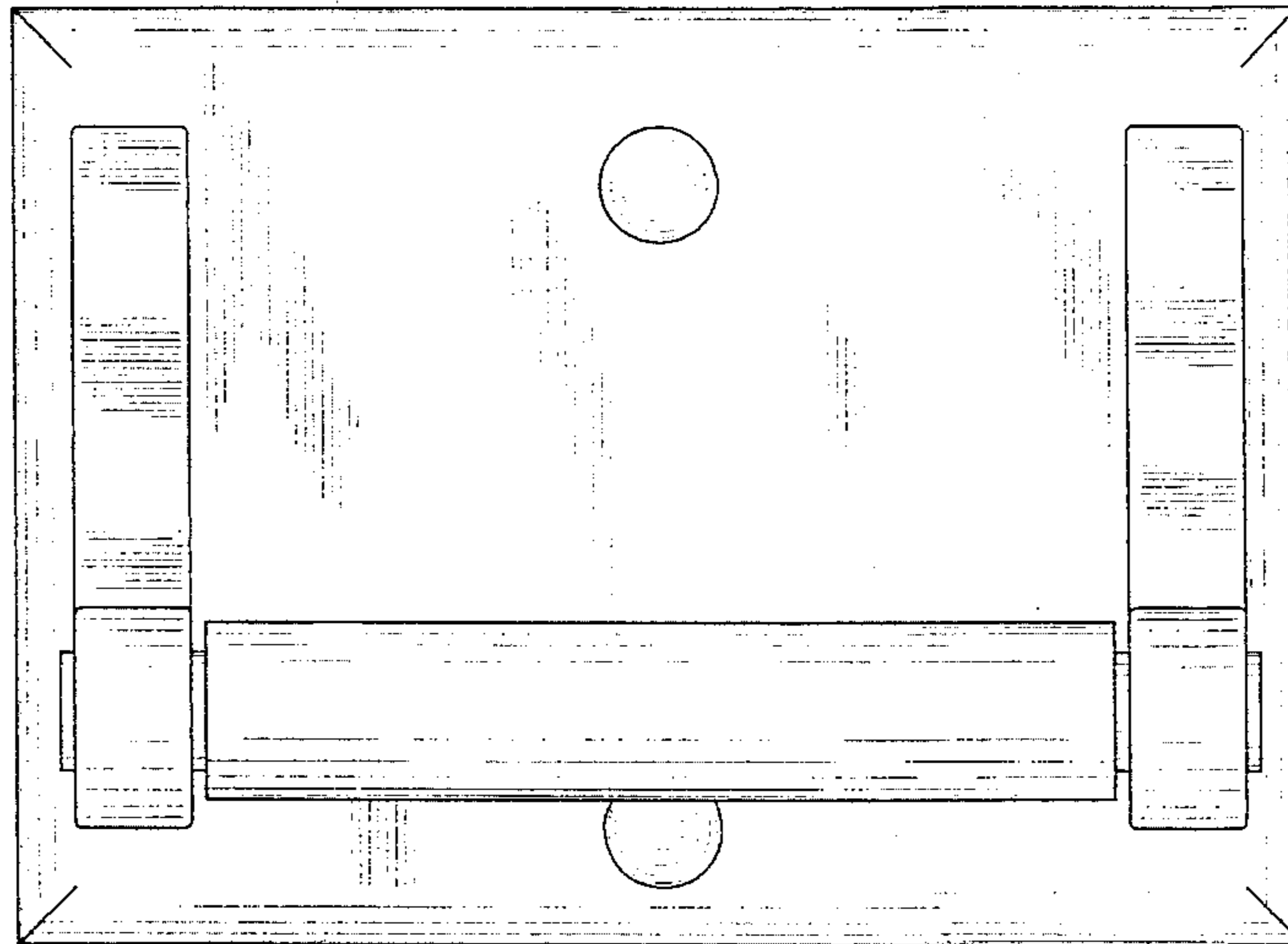


FIG. 1

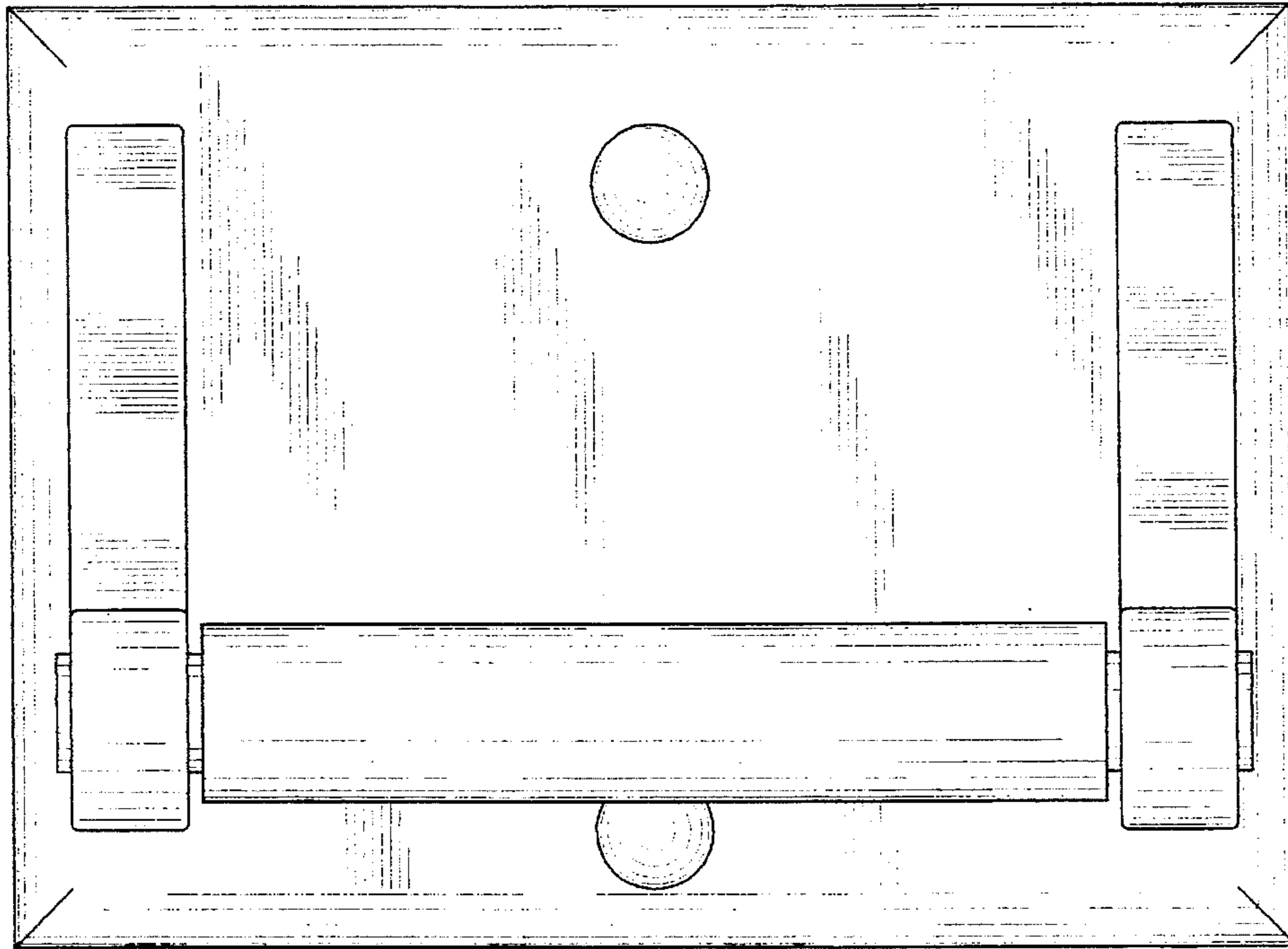


FIG. 2

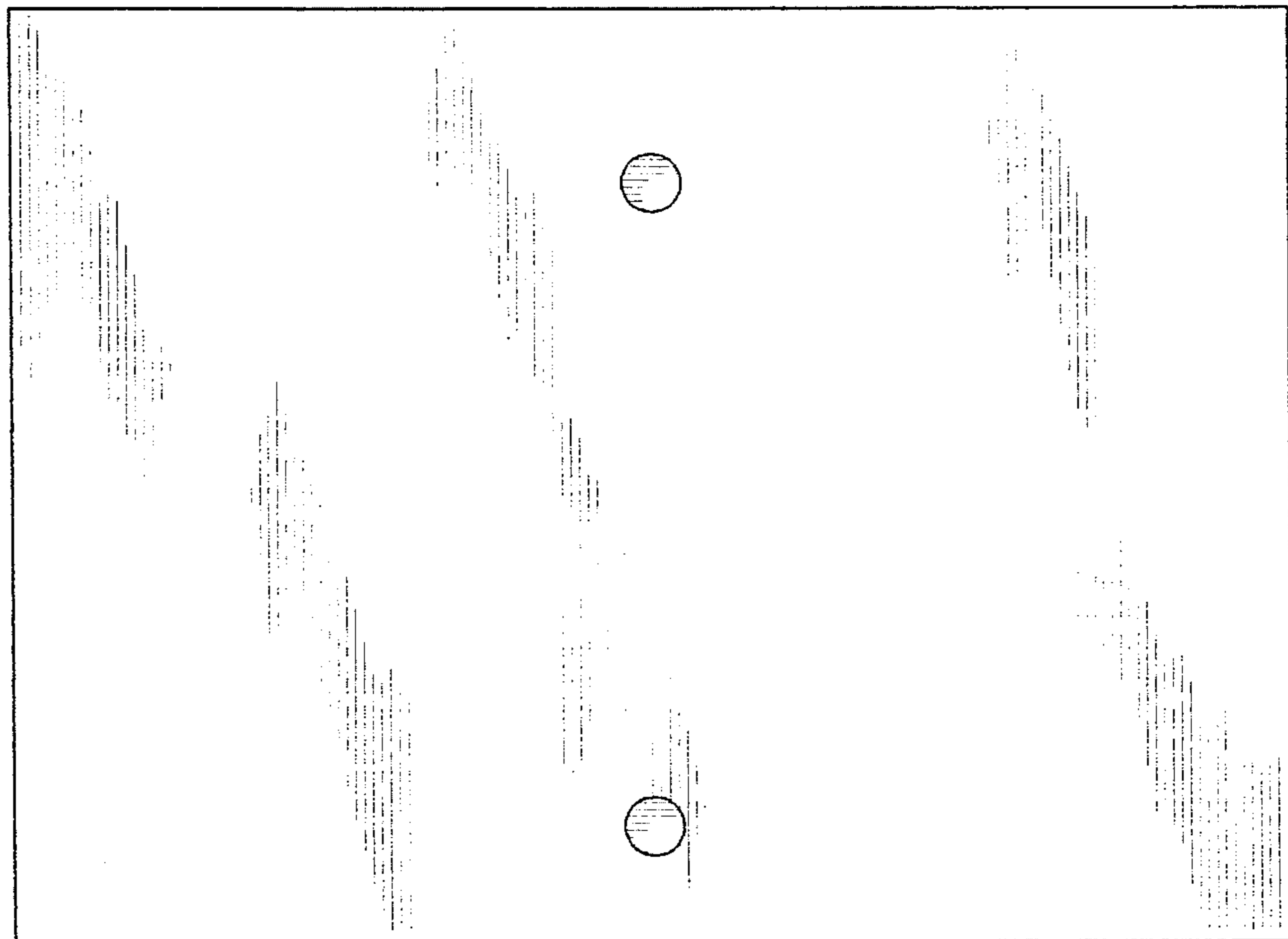


FIG. 3

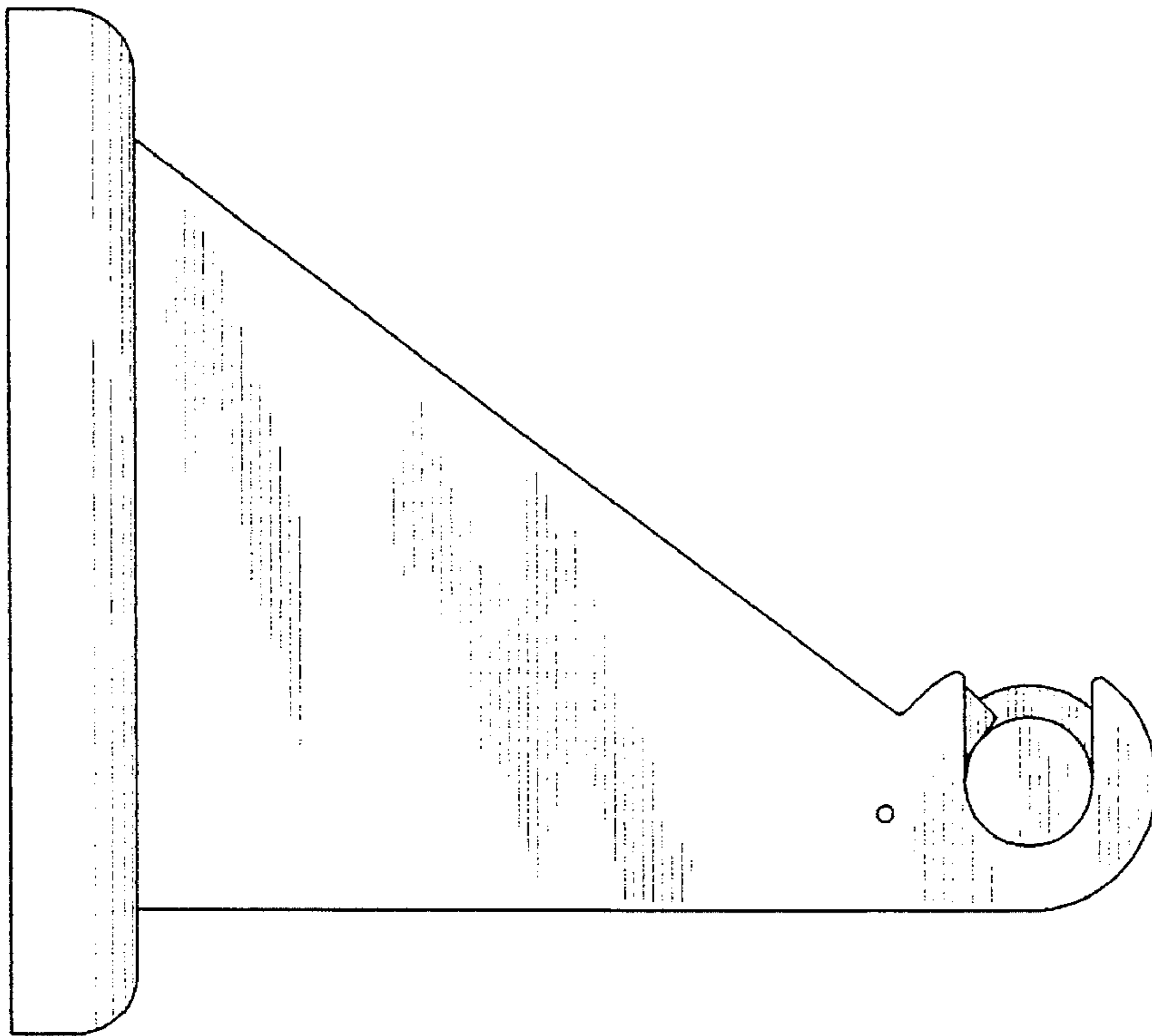


FIG. 4

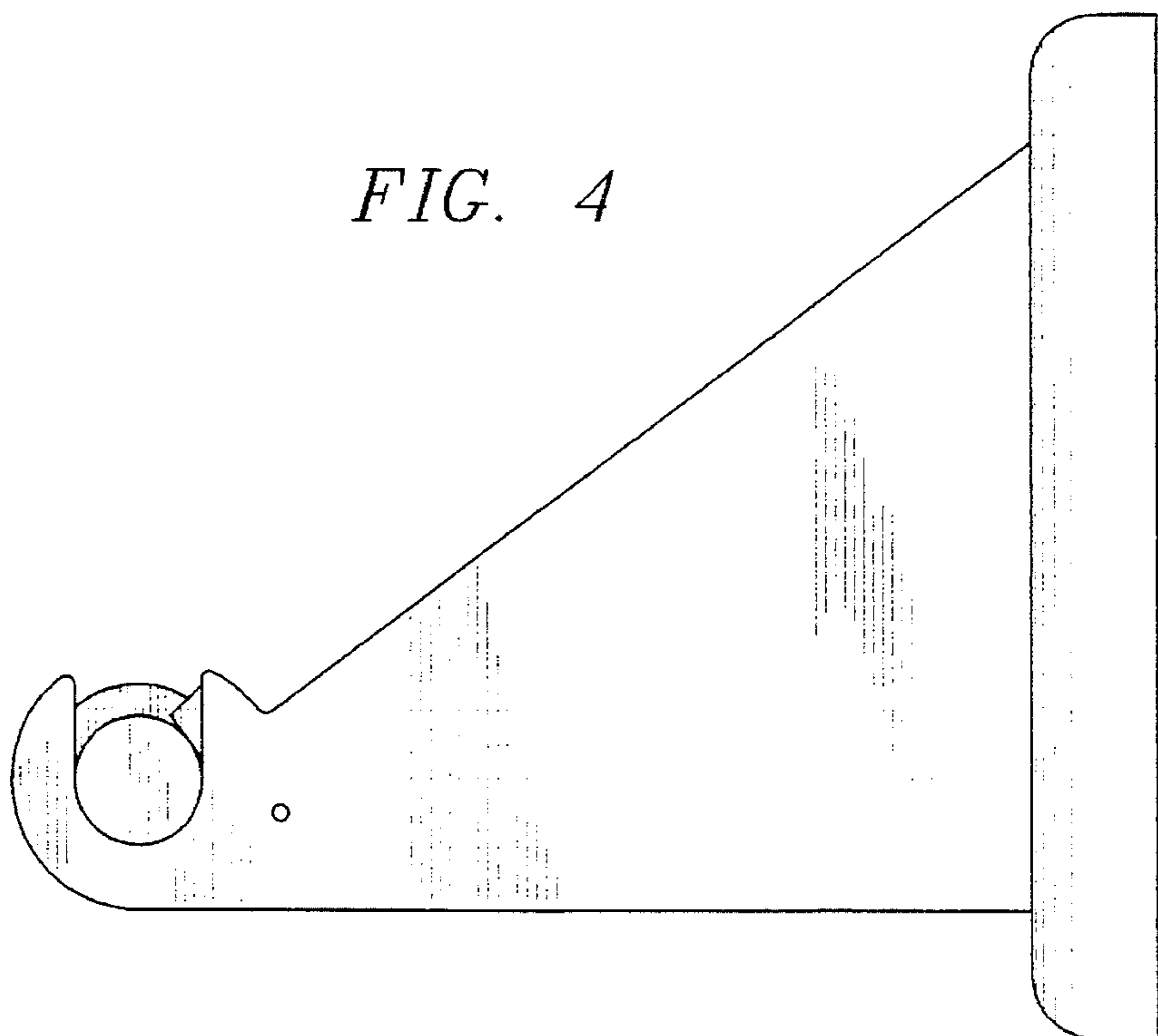


FIG. 5

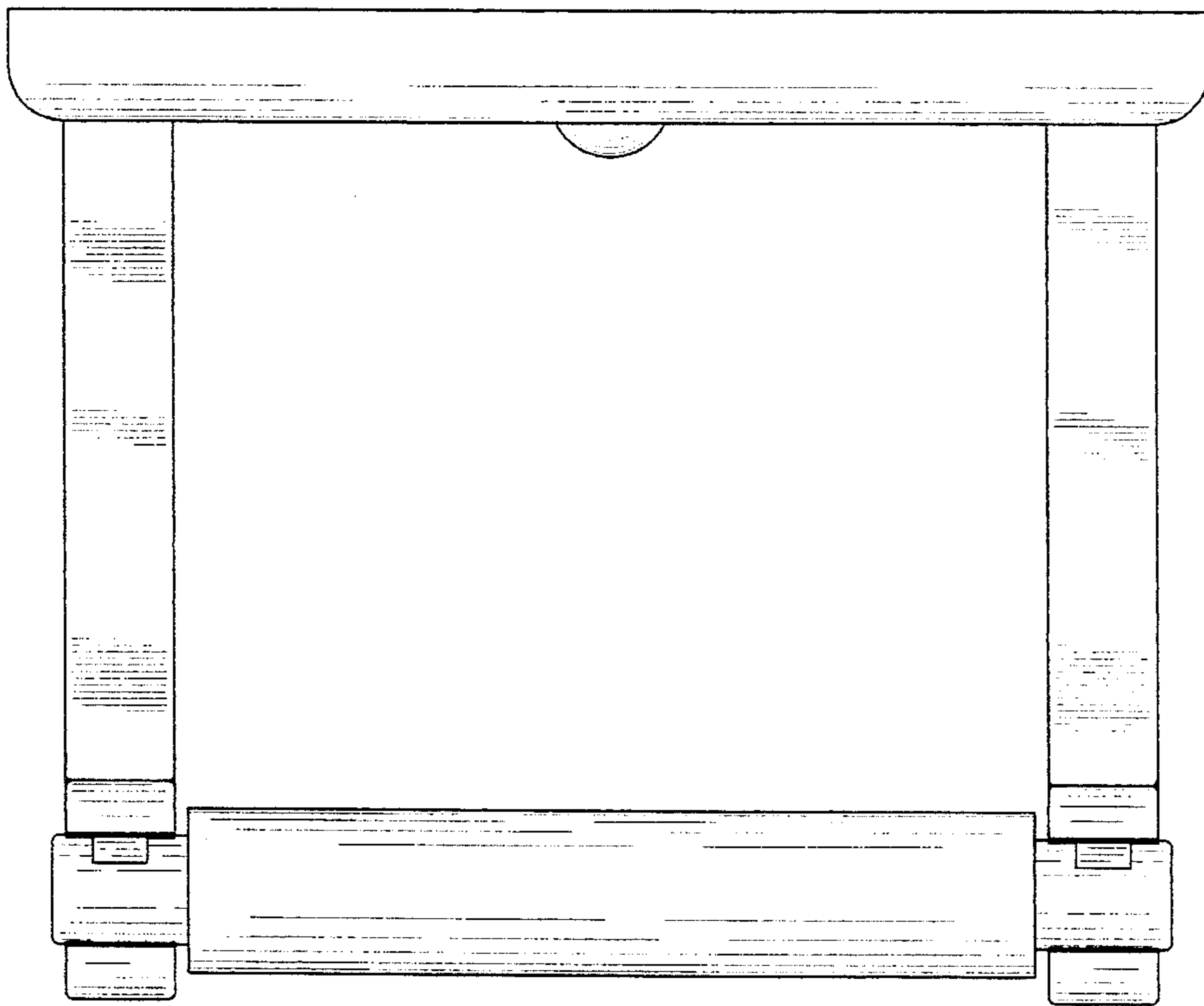


FIG. 6

