



US00D365232S

United States Patent [19]

[11] Patent Number: **Des. 365,232**

Briault

[45] Date of Patent: ****Dec. 19, 1995**

[54] TUB TOY TRAY

Primary Examiner—Brian N. Vinson

[76] Inventor: **Colleen Briault**, 156, Trudeau,
Chateauguay, Quebec, Canada, J6J 1M7

[57] CLAIM

[**] Term: **14 Years**

The ornamental design for a tub toy tray, as shown and described.

[21] Appl. No.: **26,092**

DESCRIPTION

[22] Filed: **Jul. 19, 1994**

FIG. 1 is a top perspective view of the tray;

[52] U.S. Cl. **D6/513**

FIG. 2 is a side elevation thereof seen from the right side of FIG. 1;

[58] Field of Search D6/512-513; 206/581;
211/71-72, 86, 113, 126; 220/571; 248/317,
311.2

FIG. 3 is a top plan view;

FIG. 4 is a bottom plan view;

[56] **References Cited**

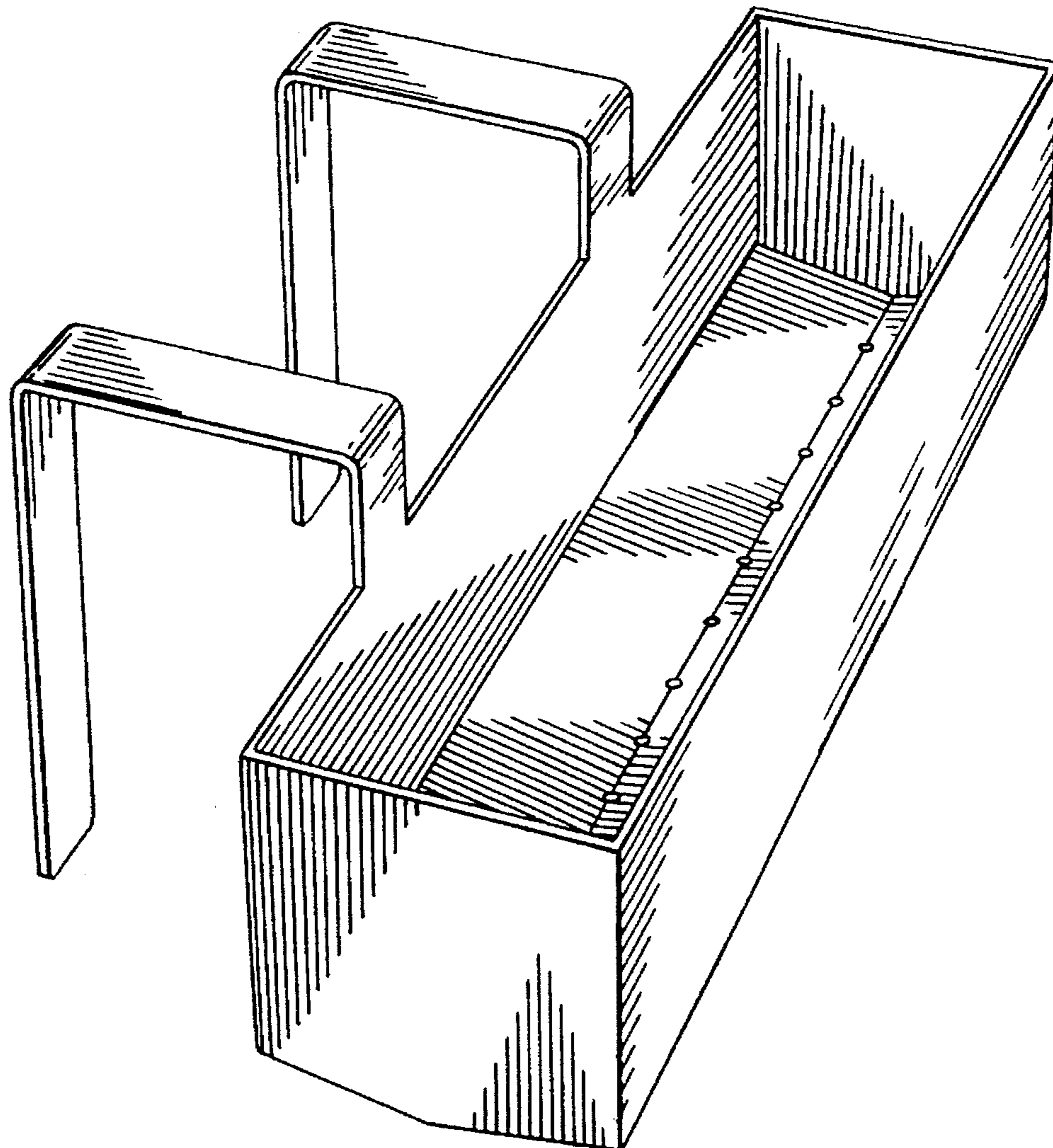
FIG. 5 is a side elevation of the end of the tray; and,

FIG. 6 is a side elevation thereof seen from the left of FIG. 1.

U.S. PATENT DOCUMENTS

| | | | |
|------------|--------|---------------|-----------|
| D. 306,944 | 4/1990 | Urena | D6/513 |
| D. 335,232 | 5/1993 | Witlock | D6/513 X |
| 5,129,615 | 7/1992 | Strauss | 248/311.2 |

1 Claim, 3 Drawing Sheets



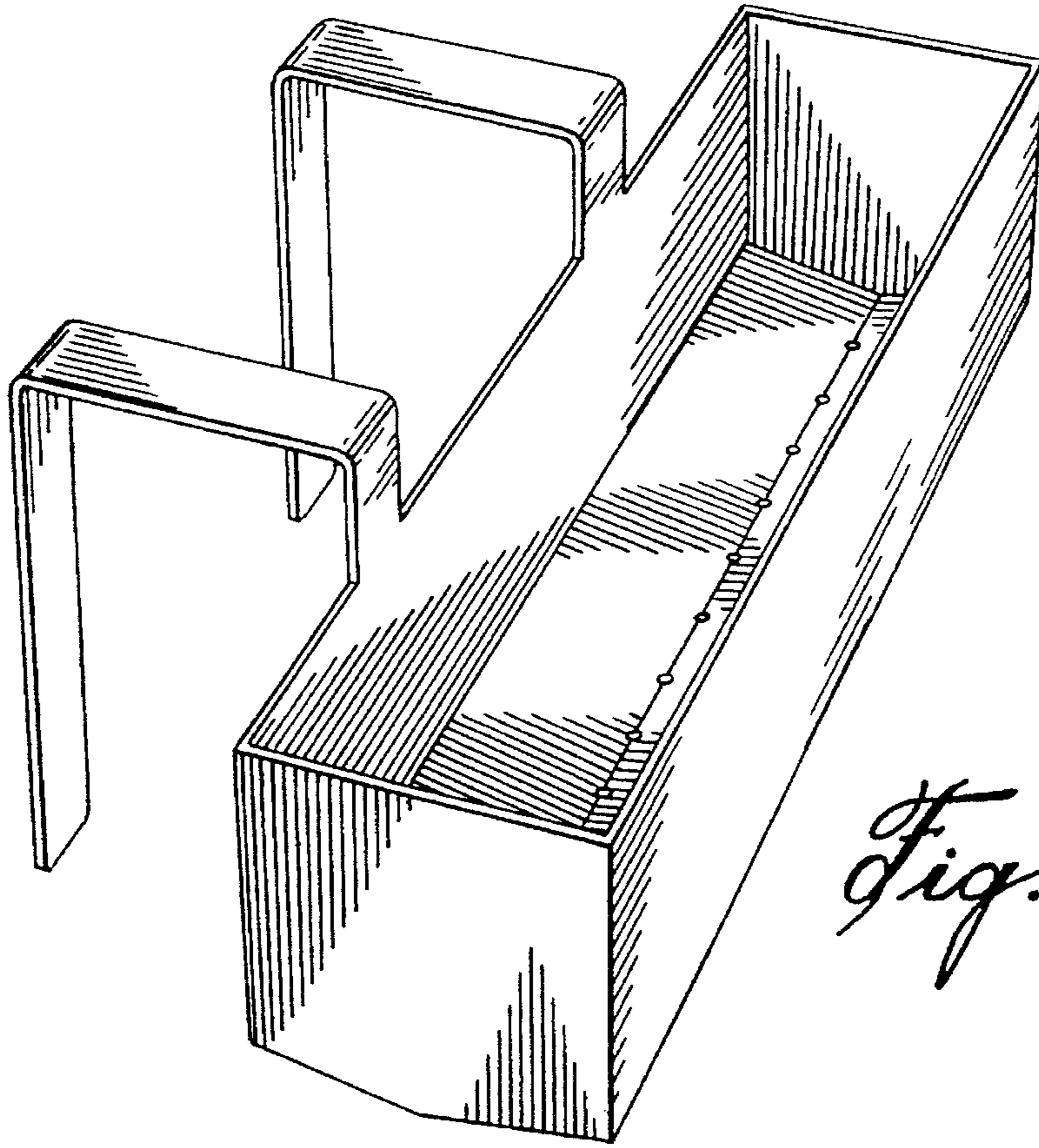


Fig. 1

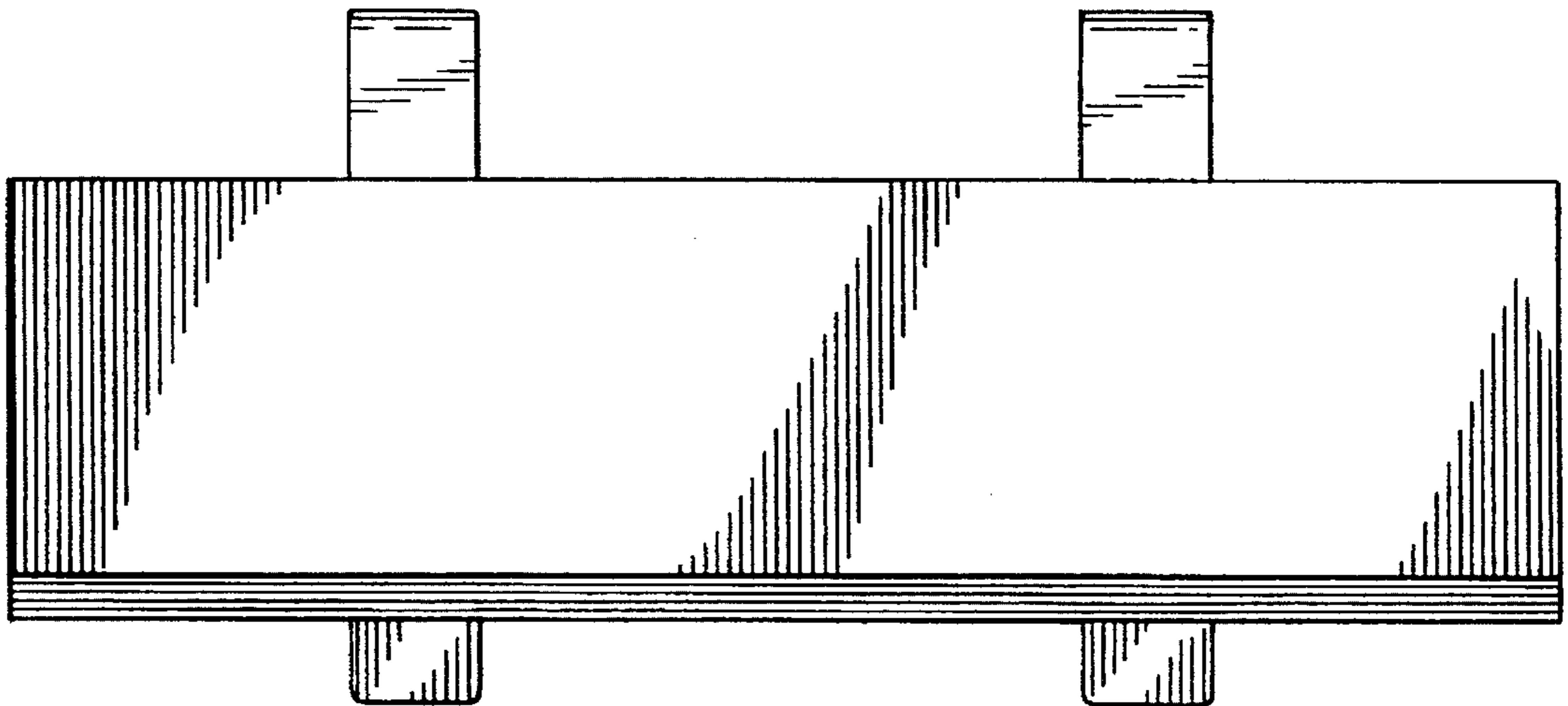


Fig. 2

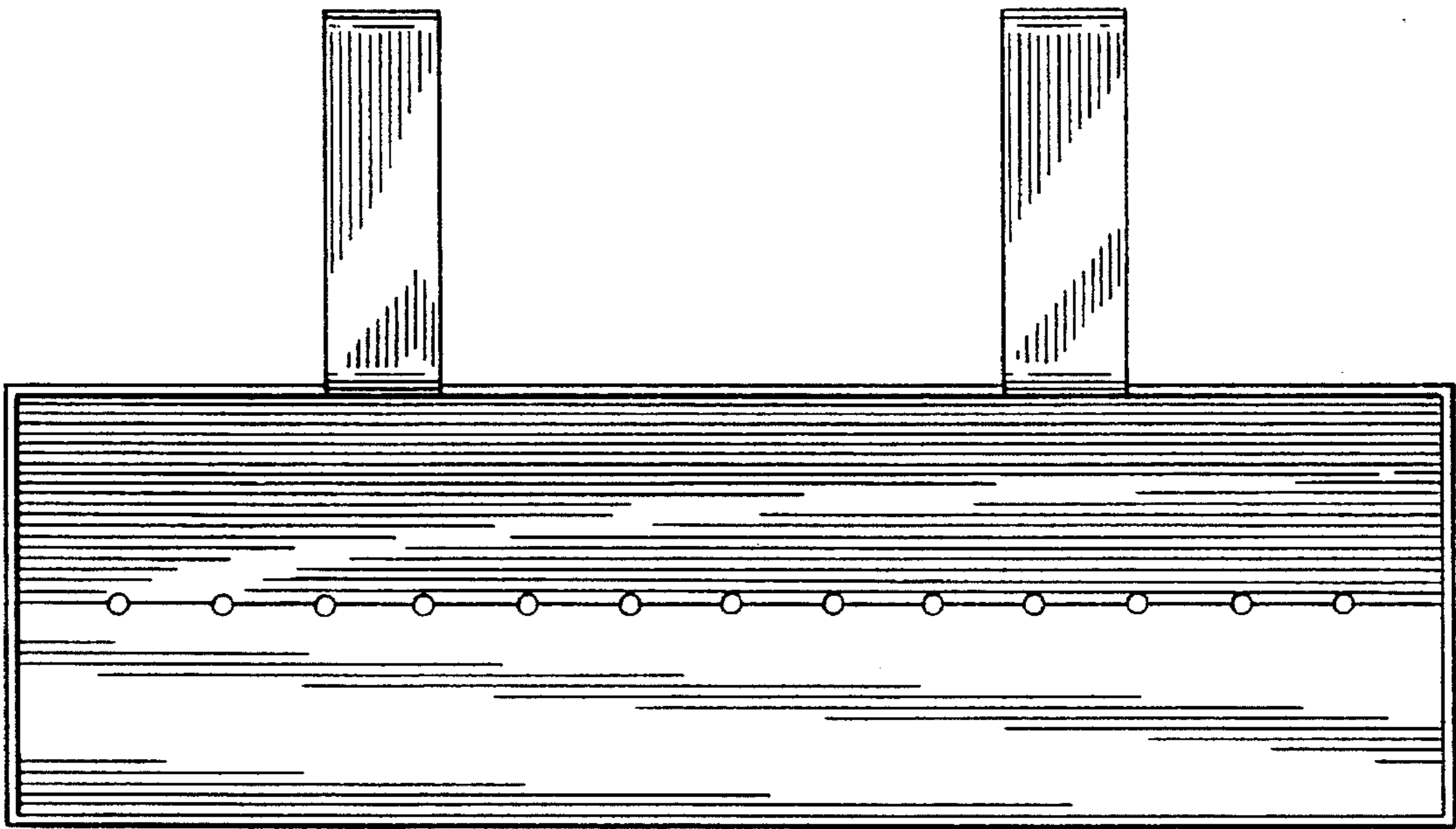


Fig. 3

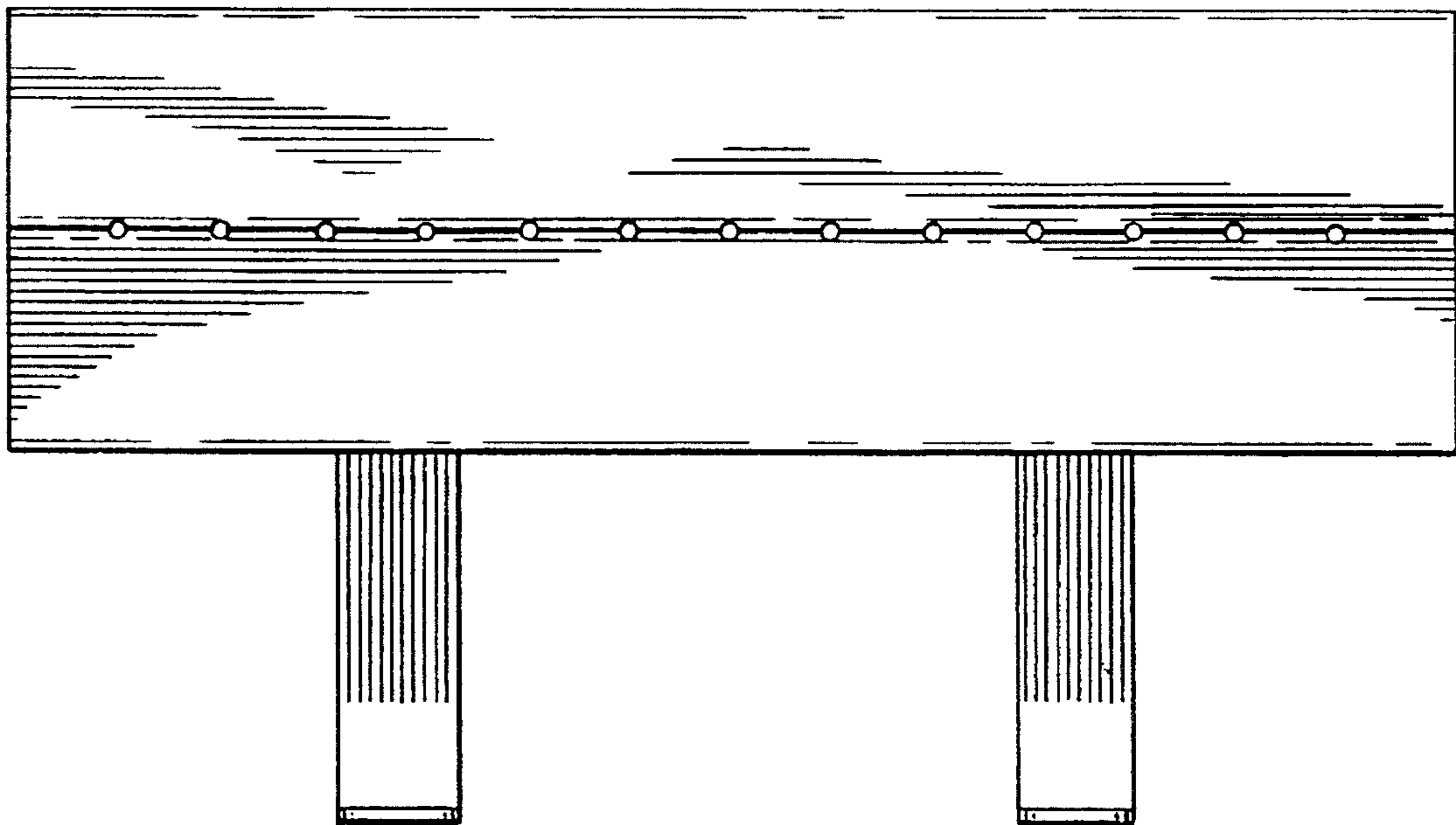


Fig. 4

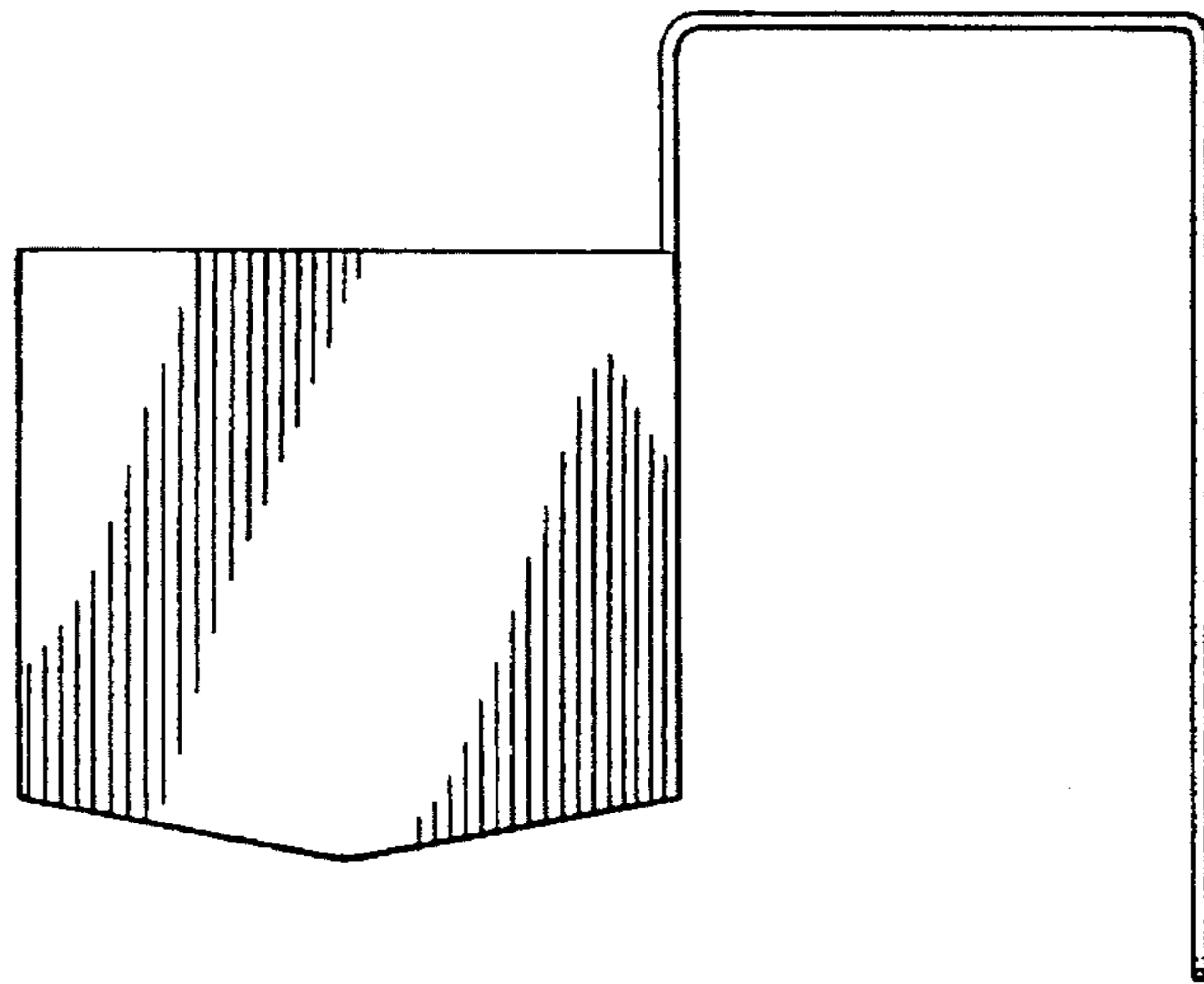


Fig. 5

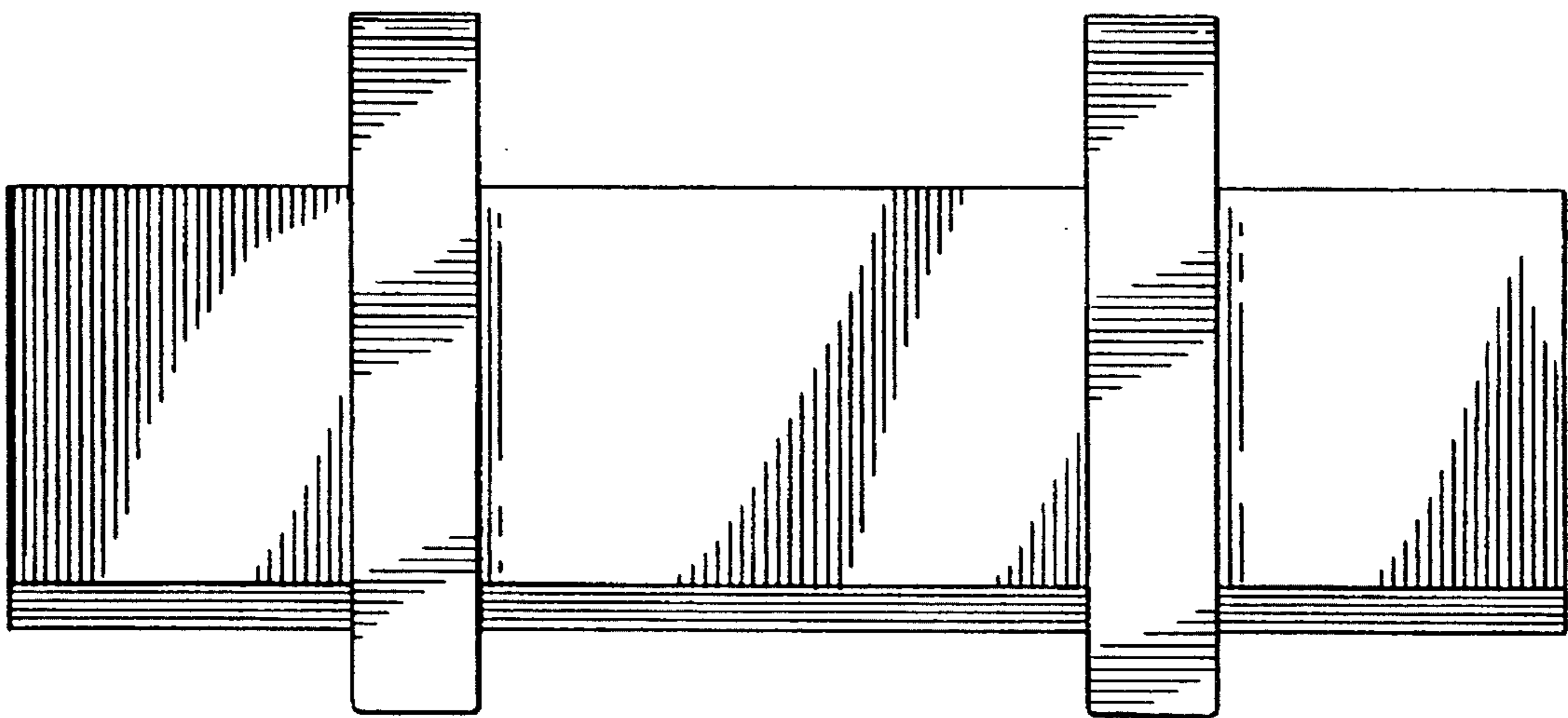


Fig. 6