



US00D365231S

United States Patent [19]

Hopper

[11] Patent Number: **Des. 365,231**

[45] Date of Patent: ****Dec. 19, 1995**

[54] **DISPLAY BOX FOR BUSINESS CARDS**

[76] Inventor: **Raymond G. Hopper**, #42 10460 No.
3 Road, Richmond, British Columbia,
Canada, V7A 4W5

[**] Term: **14 Years**

[21] Appl. No.: **25,448**

[22] Filed: **Jul. 1, 1994**

[52] U.S. Cl. **D6/513**; D6/440

[58] Field of Search D6/432, 440, 555,
D6/513, 553; D12/423-425; D99/33, 28;
224/273, 277; 40/591, 124.2, 124.4, 124

[56] **References Cited**

U.S. PATENT DOCUMENTS

D. 25,400	4/1896	Hadley	D99/33
D. 153,348	4/1949	Gainsboro	D6/397 X
D. 154,470	7/1949	Gieseler	D99/33
D. 166,109	3/1952	Wadsworth	D6/555
D. 188,544	8/1960	Carothers	D6/555

D. 188,944	10/1960	Blumenthal	D6/555
D. 219,487	12/1970	Blumberg	D99/33
D. 283,747	5/1986	Margiloff	D99/33
4,889,268	12/1989	Shubeck	224/277
5,263,578	11/1993	Namey	224/277 X

Primary Examiner—Carmen H. Vales-Lado
Attorney, Agent, or Firm—Todd N. Hathaway

[57] **CLAIM**

The ornamental design for a display box for business cards, as shown and described.

DESCRIPTION

FIG. 1 is a front perspective view of a display box for business cards showing my new design; FIG. 2 is a front elevational view thereof; FIG. 3 is a right side elevational view, the left side being a mirror image thereof; FIG. 4 is a top plan view thereof; FIG. 5 is a rear elevational view thereof; and, FIG. 6 is a bottom plan view thereof.

1 Claim, 2 Drawing Sheets

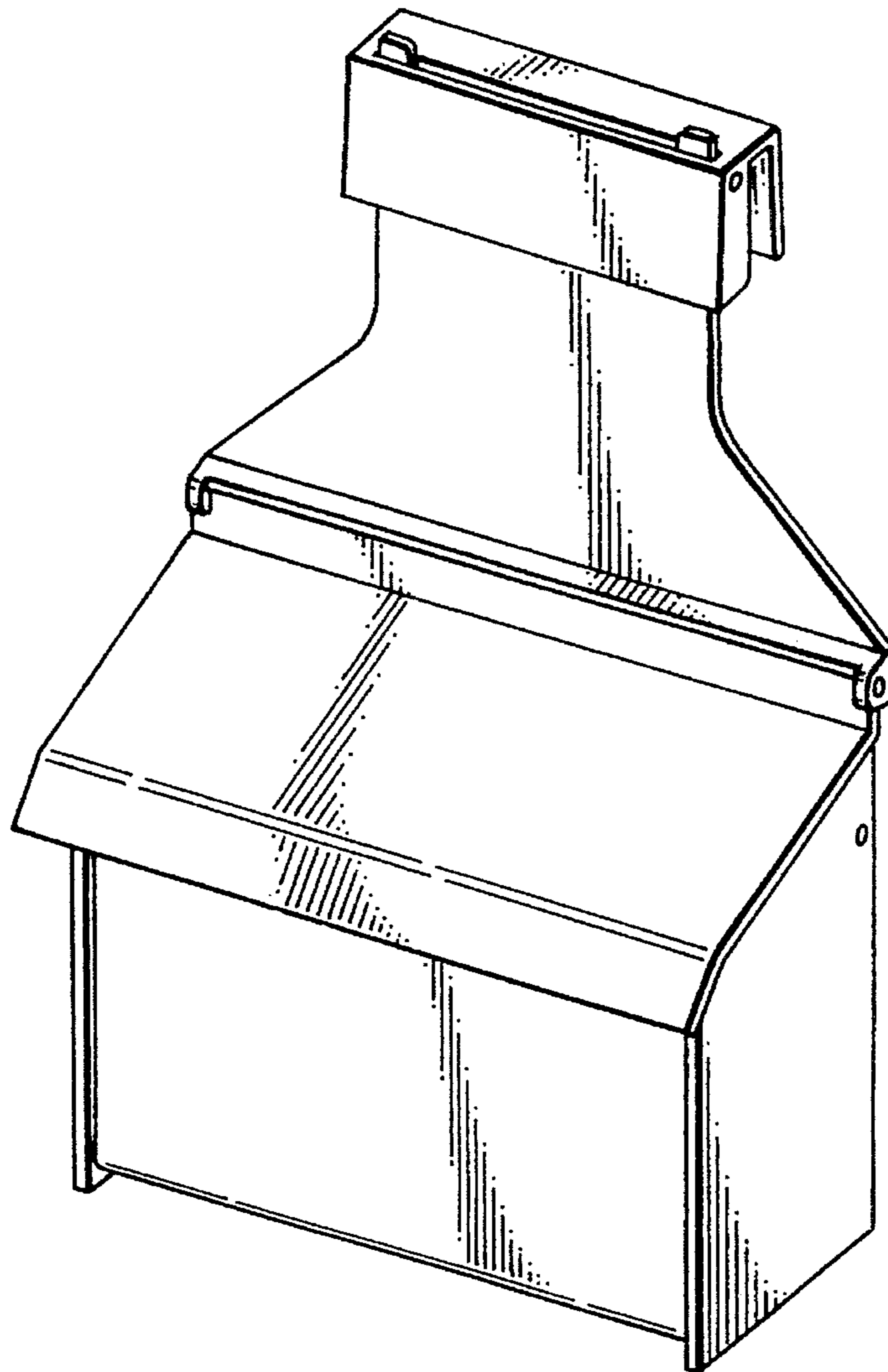


FIG. 1

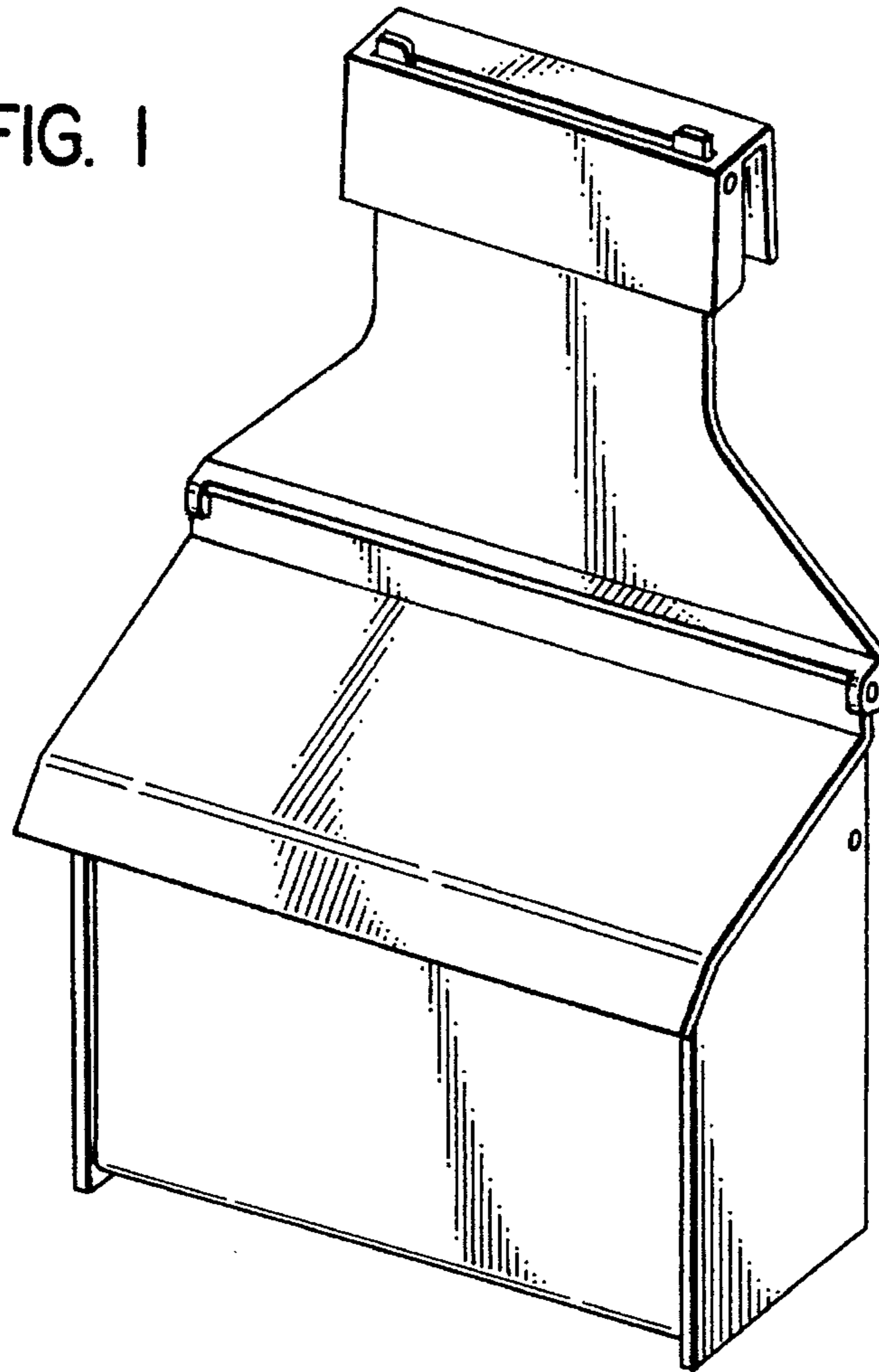


FIG. 2

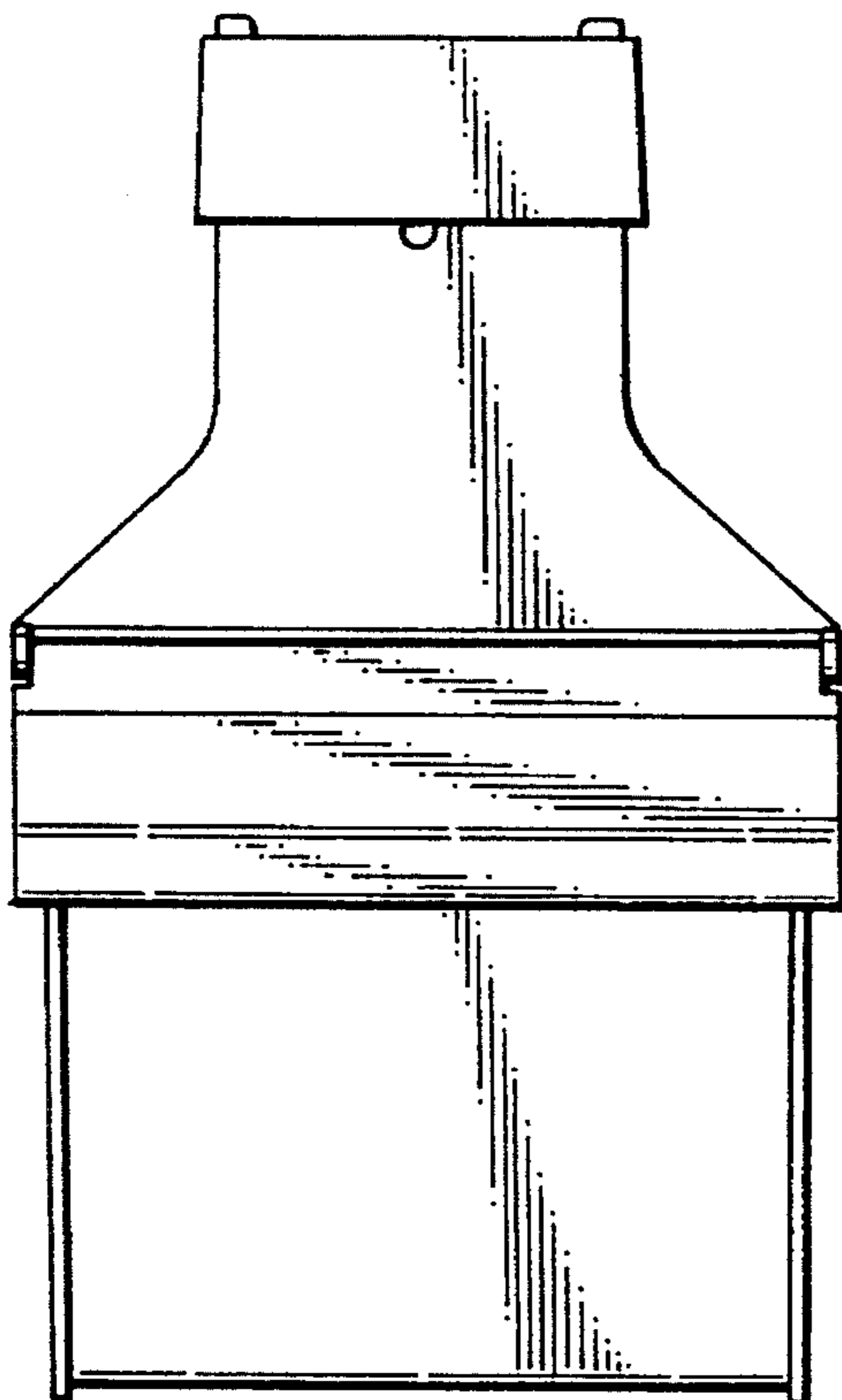


FIG. 3

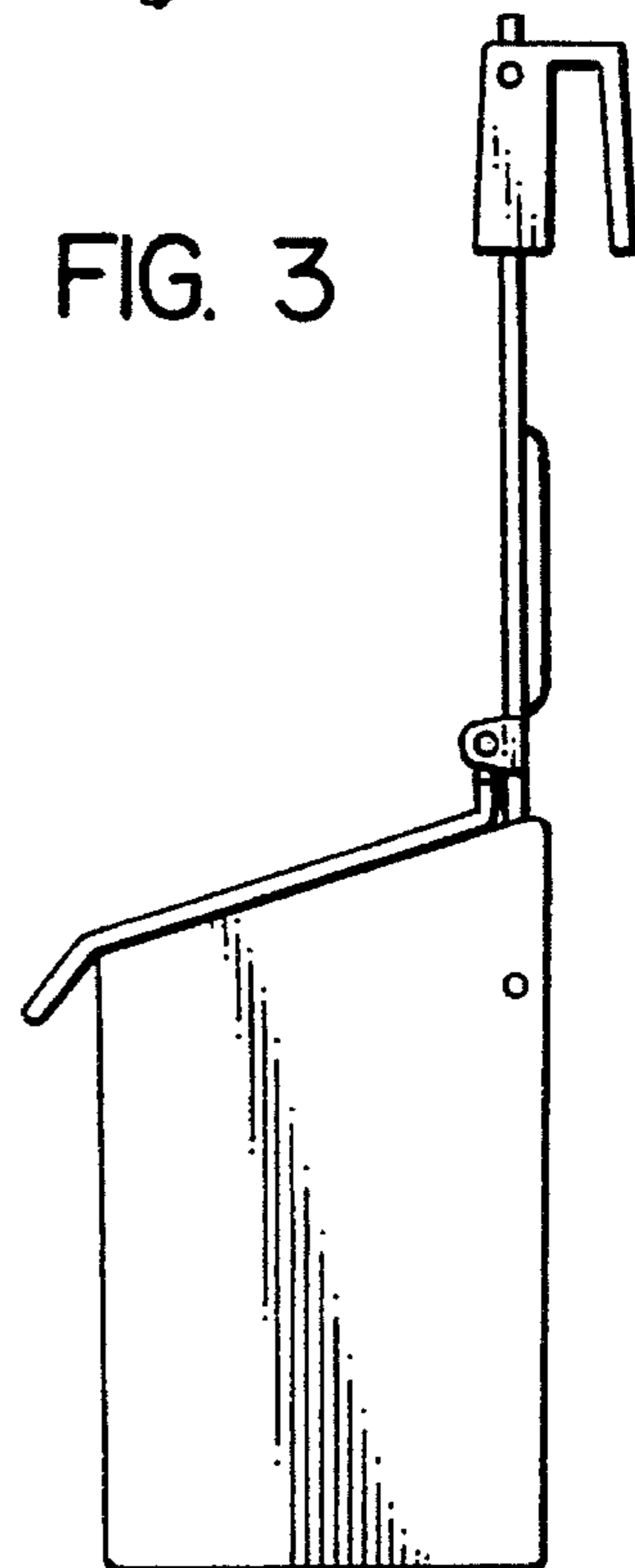


FIG. 4

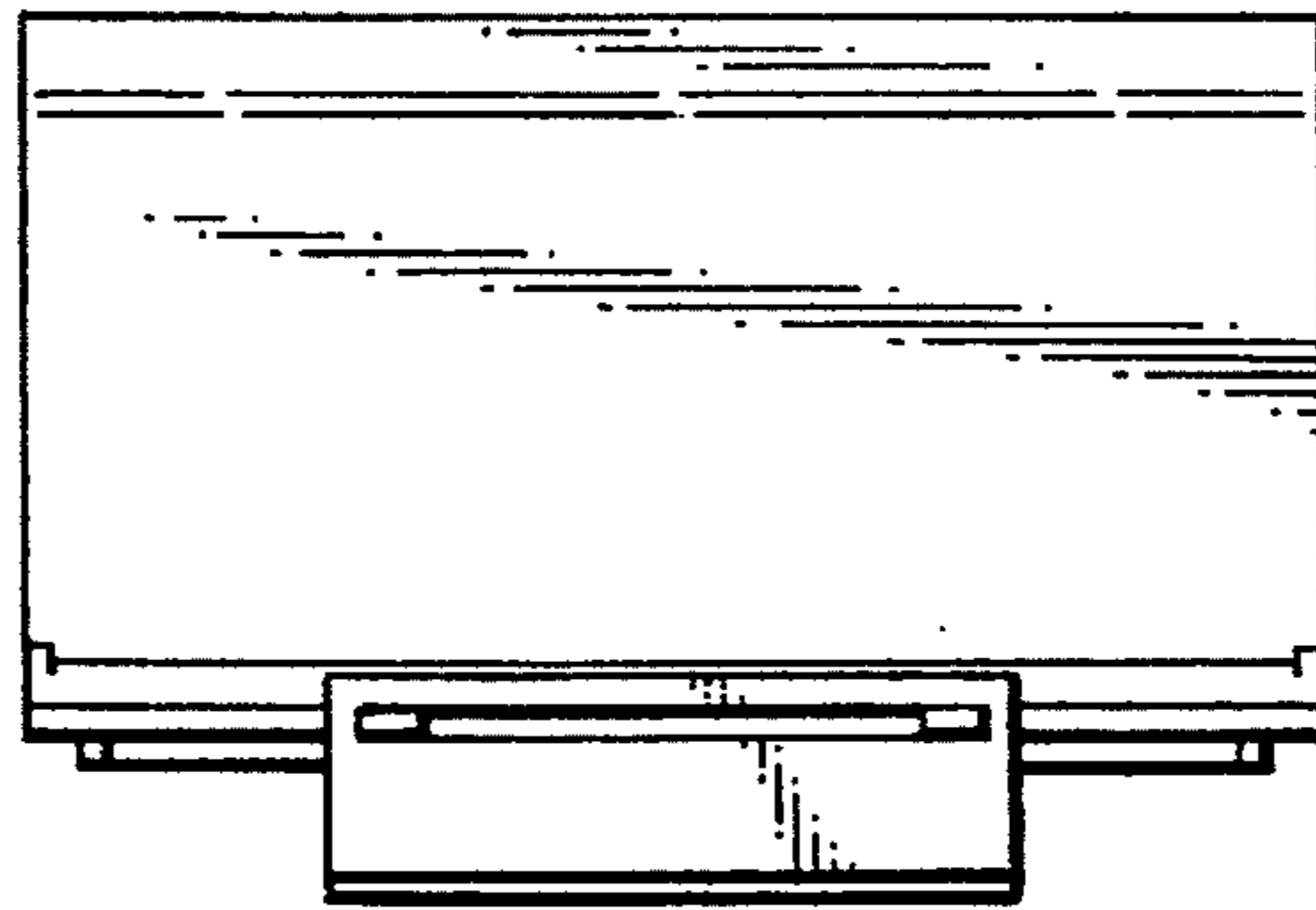


FIG. 5

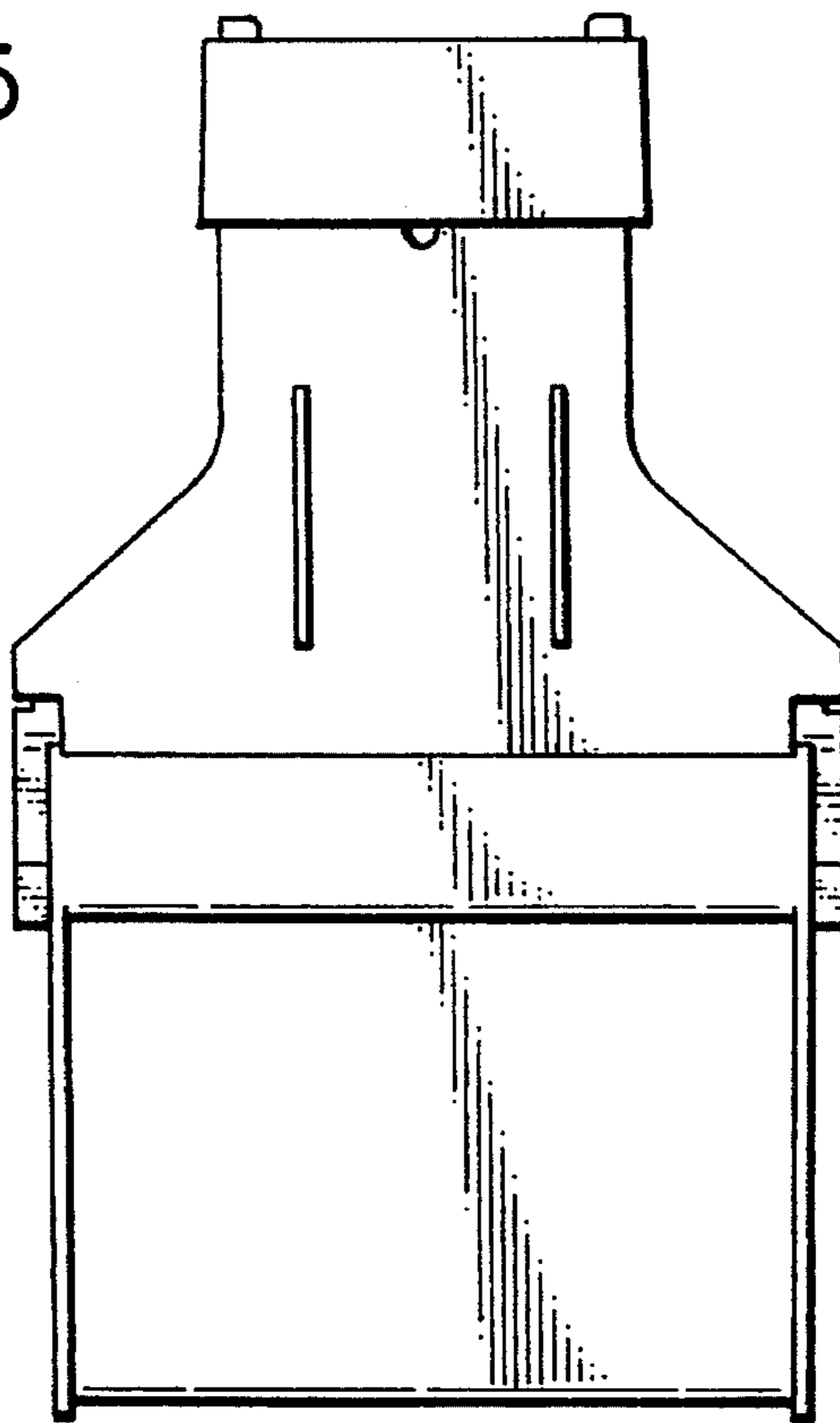


FIG. 6

