



US00D365230S

# United States Patent [19]

[11] Patent Number: **Des. 365,230**

**Tange**

[45] Date of Patent: **\*\*Dec. 19, 1995**

[54] **ATTACHMENT ELEMENT FOR CONNECTING A WORK SURFACE TO A VEHICLE STEERING WHEEL**

4,375,881 3/1983 Mitchell ..... 108/44  
4,974,805 12/1990 Douglas ..... 108/44

[76] Inventor: **Mark L. Tange**, 14991 Coutolenc Rd., Magalia, Calif. 95954

*Primary Examiner*—Janice E. Seeger

[\*\*] Term: **14 Years**

### [57] CLAIM

[21] Appl. No.: **31,011**

The ornamental design for an attachment element for connecting a work surface to a vehicle steering wheel, as shown and described.

[22] Filed: **Nov. 15, 1994**

### DESCRIPTION

[52] U.S. Cl. .... **D6/491**; D20/42

FIG. 1 is a front perspective view of an attachment element for connecting a work surface to a vehicle steering wheel showing my new design;

[58] Field of Search ..... D6/406, 491, 419, D6/420, 338, 511; D7/550, 698; D12/415; D19/52, 88, 91; 108/43, 44; 248/441.1, 444, 444.1, 445, 450, 451-453, 610, 611, 317, 339; D20/42; 40/617, 907; 248/610, 611, 317, 339; D8/403

FIG. 2 is a slightly enlarged front elevational view thereof; FIG. 3 is a slightly enlarged back elevational view thereof; FIG. 4 is a slightly enlarged right side view thereof, with the left side view appearing as a mirror image;

### [56] References Cited

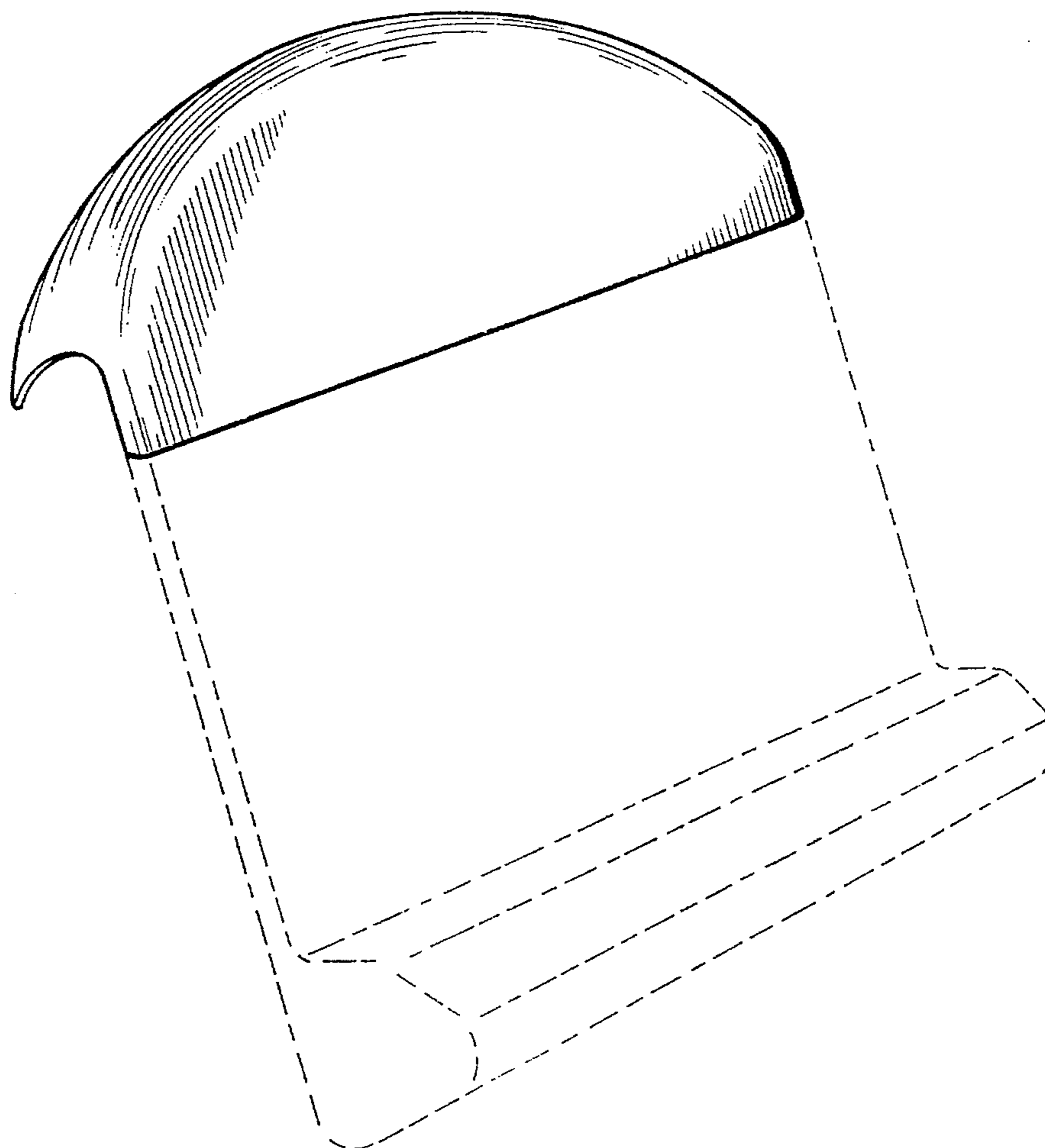
#### U.S. PATENT DOCUMENTS

D. 257,589 12/1980 Shaffert ..... D6/406  
D. 263,361 3/1982 Johnson ..... D6/420  
D. 340,150 10/1993 Tanaka ..... D6/419  
3,952,988 4/1976 Easterly ..... D19/52

FIG. 5 is a slightly enlarged bottom perspective view thereof; and,

FIG. 6 is a slightly enlarged top perspective view thereof. The portion of the drawings shown in dotted outline represents one style of work surface. The dotted outlines are for illustrative purposes and form no part of the claimed design.

**1 Claim, 5 Drawing Sheets**



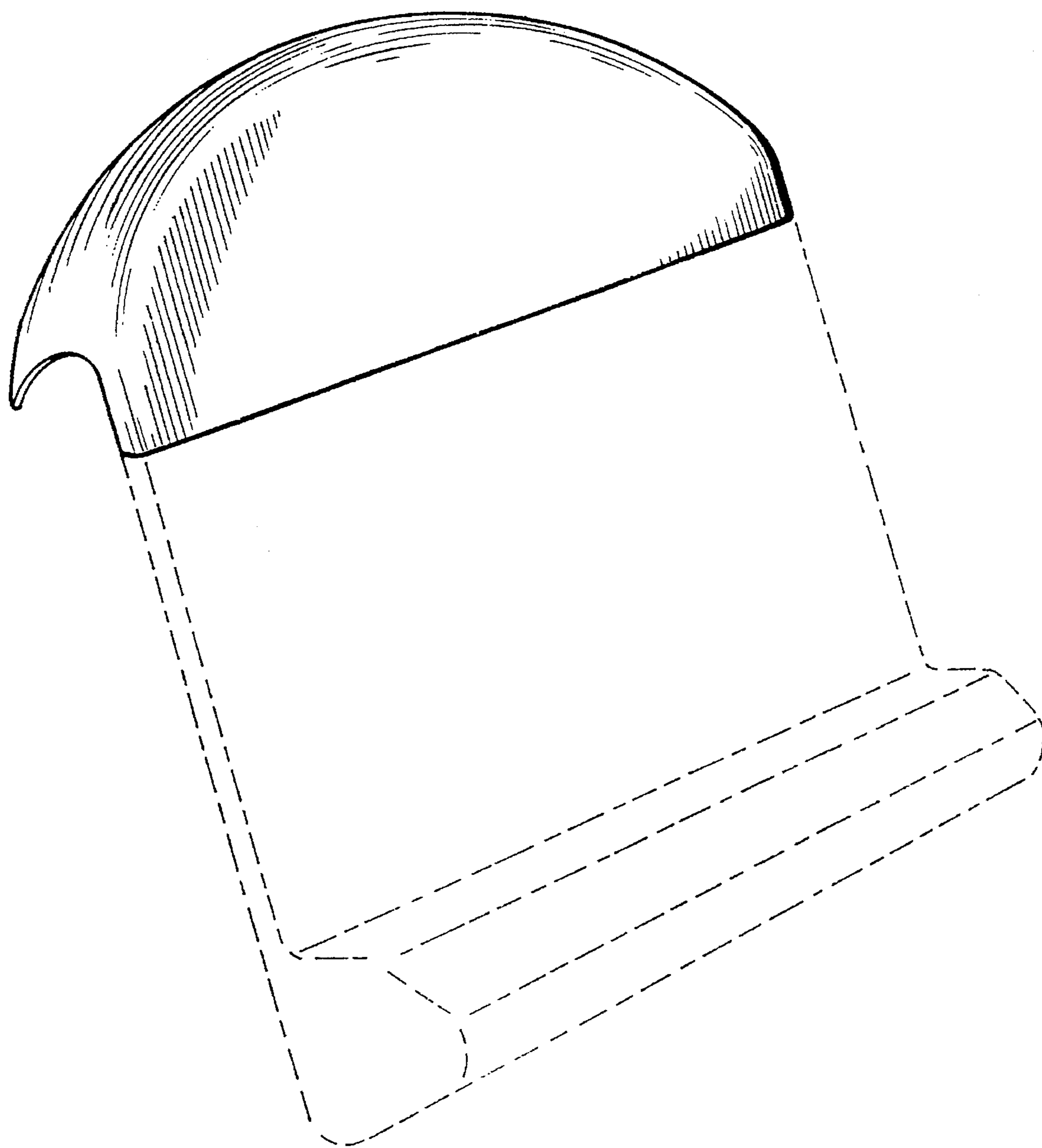


FIG. 1

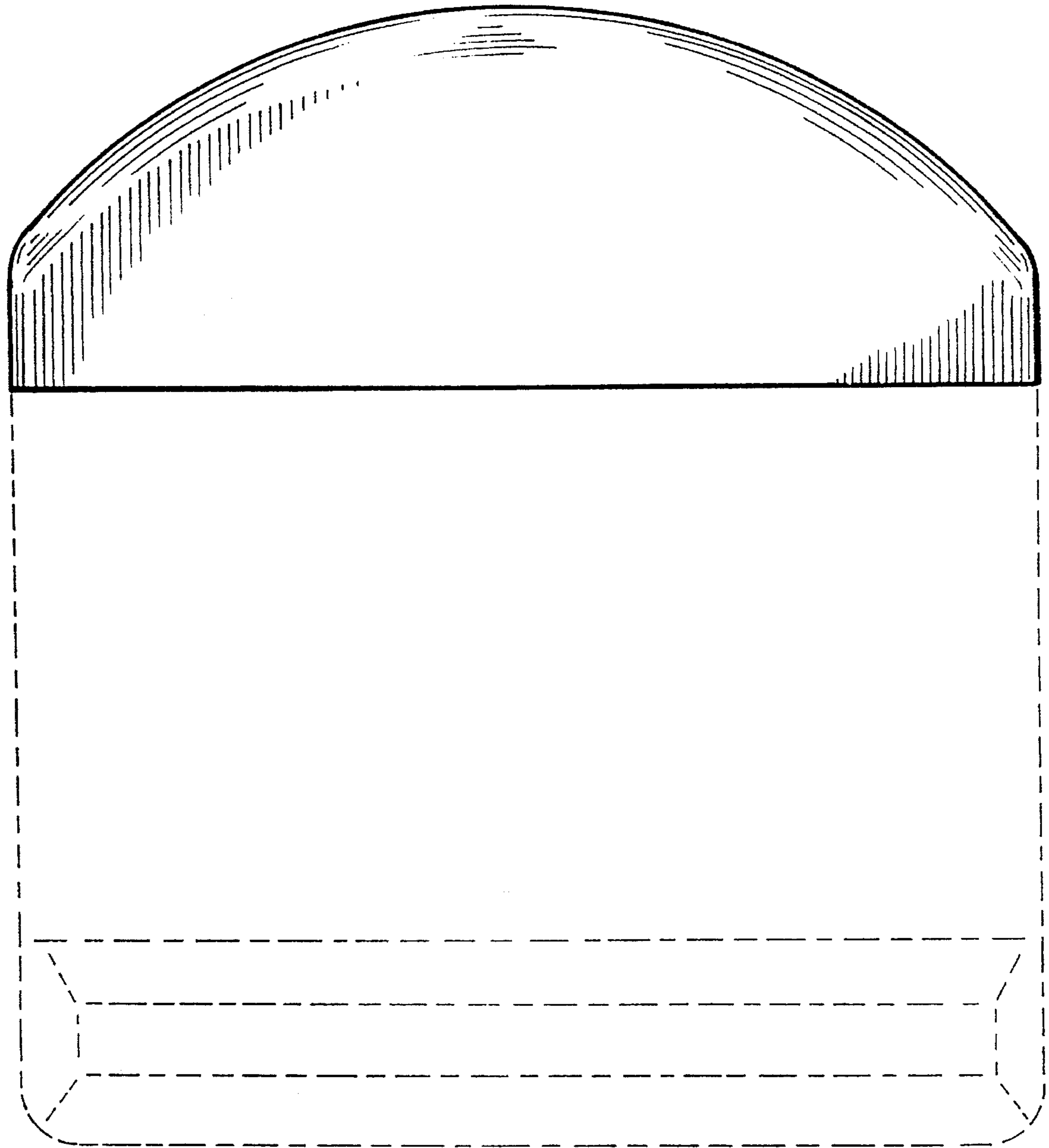


FIG. 2

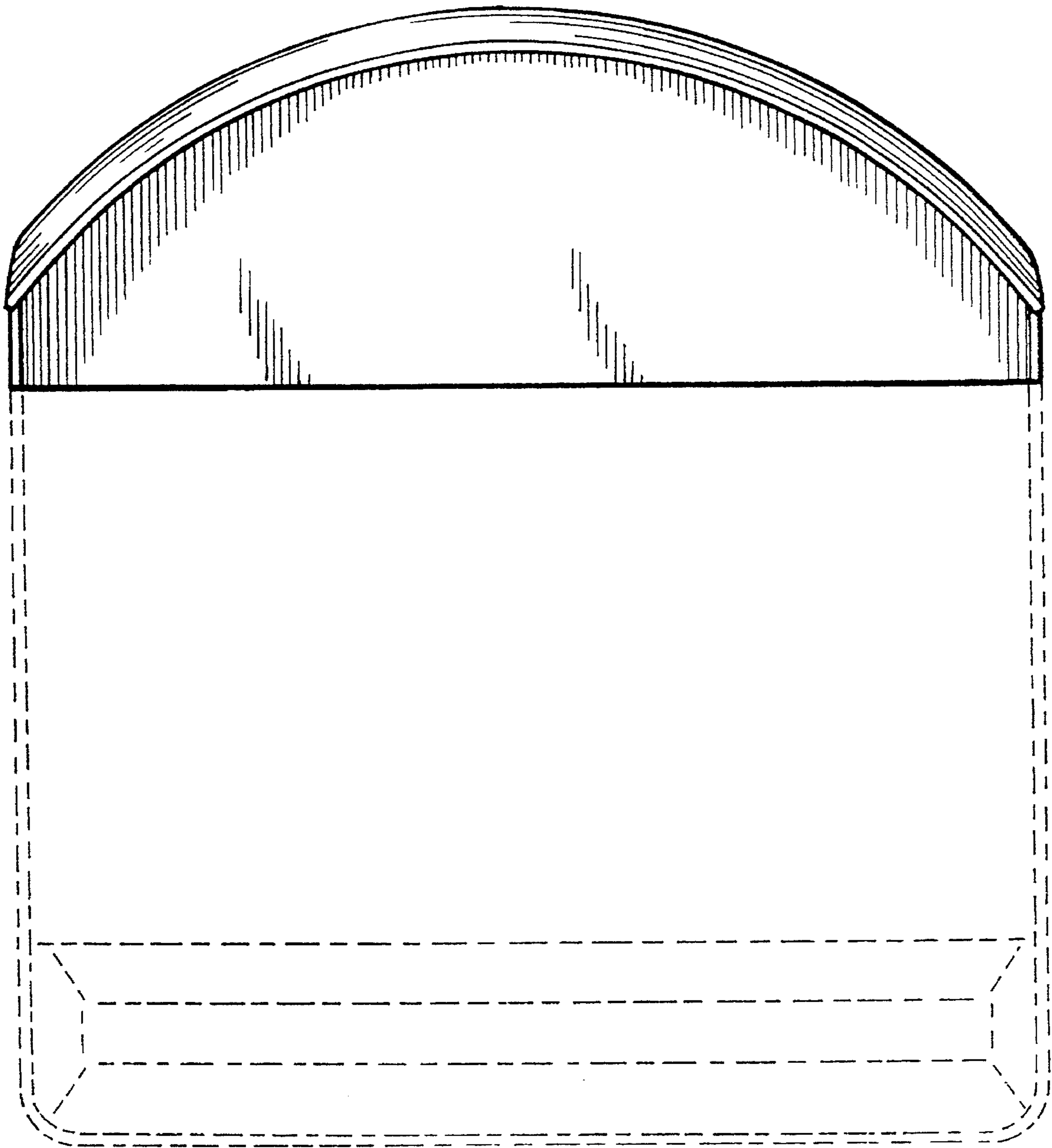


FIG. 3

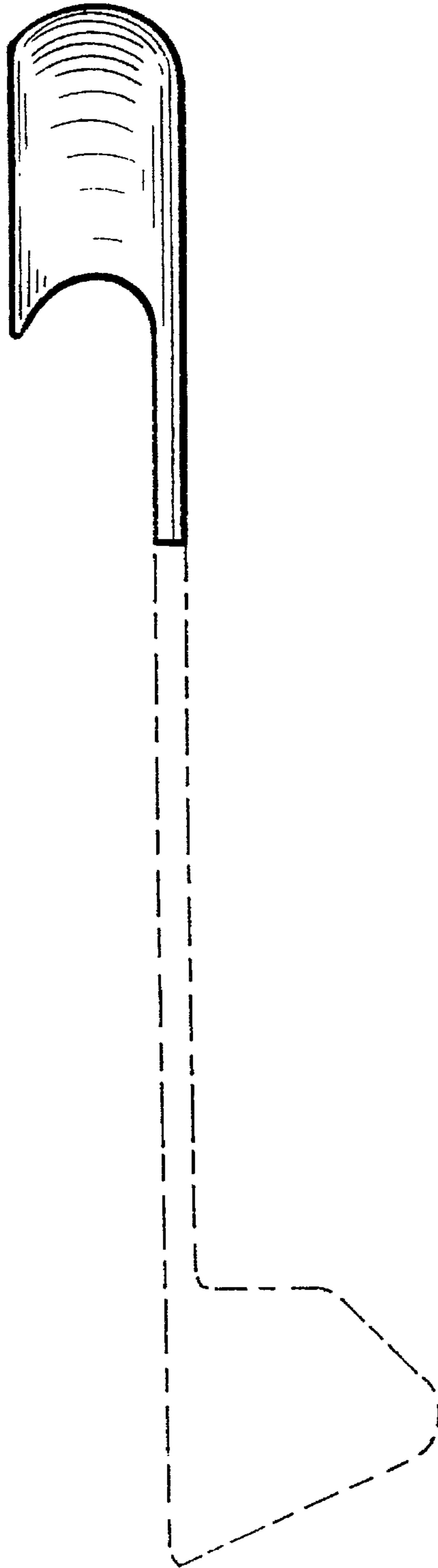


FIG. 4

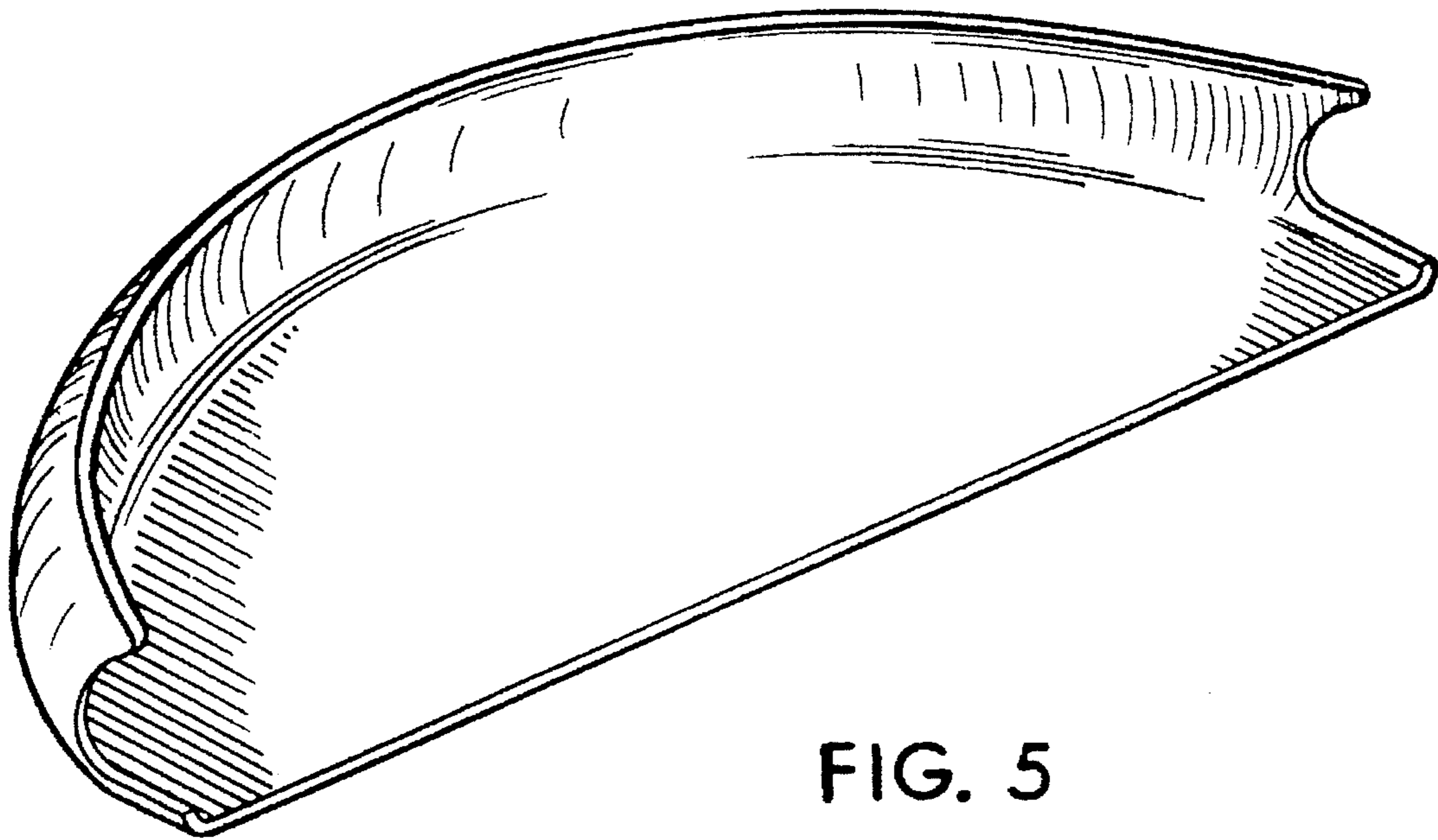


FIG. 5

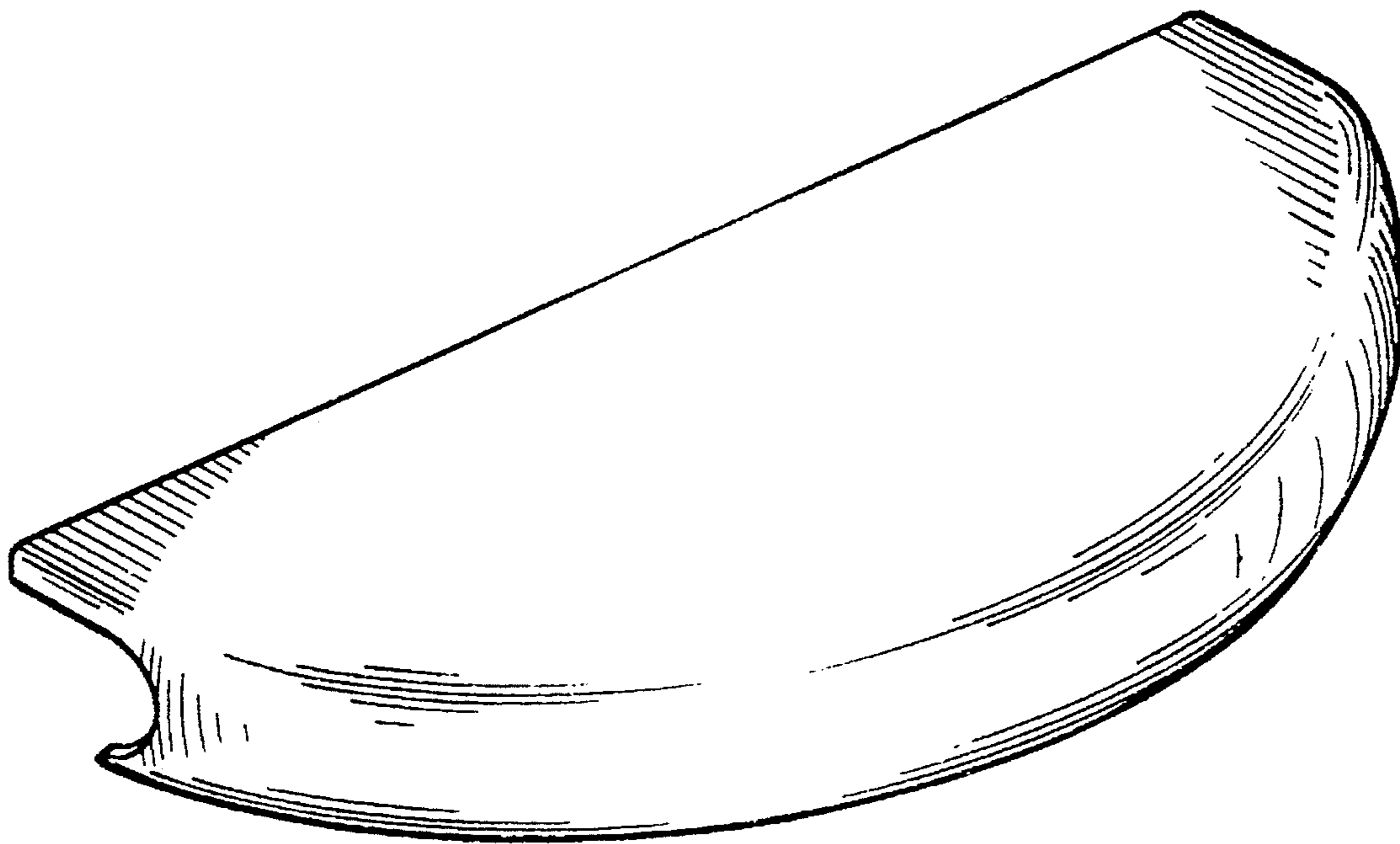


FIG. 6