



US00D365228S

United States Patent [19]
Grandstaff

[11] **Patent Number: Des. 365,228**

[45] **Date of Patent: **Dec. 19, 1995**

[54] **CEREMONIAL CARTRIDGE DISPLAY CASE**

4,270,819 6/1981 Ooho 312/116

4,879,145 11/1989 McLellan et al. 428/14

5,118,171 6/1992 Ortiz 312/114

[76] Inventor: **Thomas A. Grandstaff**, 728 N. High St., Lancaster, Ohio 43130

[**] Term: **14 Years**

Primary Examiner—Alan P. Douglas

Assistant Examiner—S. Snapp

Attorney, Agent, or Firm—Frank H. Foster; Kremblas, Foster & Millard

[21] Appl. No.: **33,419**

[22] Filed: **Jan. 12, 1995**

[57] **CLAIM**

[52] **U.S. Cl.** **D6/470**

The ornamental design for a ceremonial cartridge display case, as shown.

[58] **Field of Search** D6/470, 472, 434; 206/315.9; 211/14, 13; 312/114, 116; D21/206, 208, 209

DESCRIPTION

[56] **References Cited**

FIG. 1 is a front perspective view of a ceremonial cartridge display case showing my new design;

FIG. 2 is a top plan view thereof;

FIG. 3 is a front elevational view thereof;

FIG. 4 is a bottom view thereof;

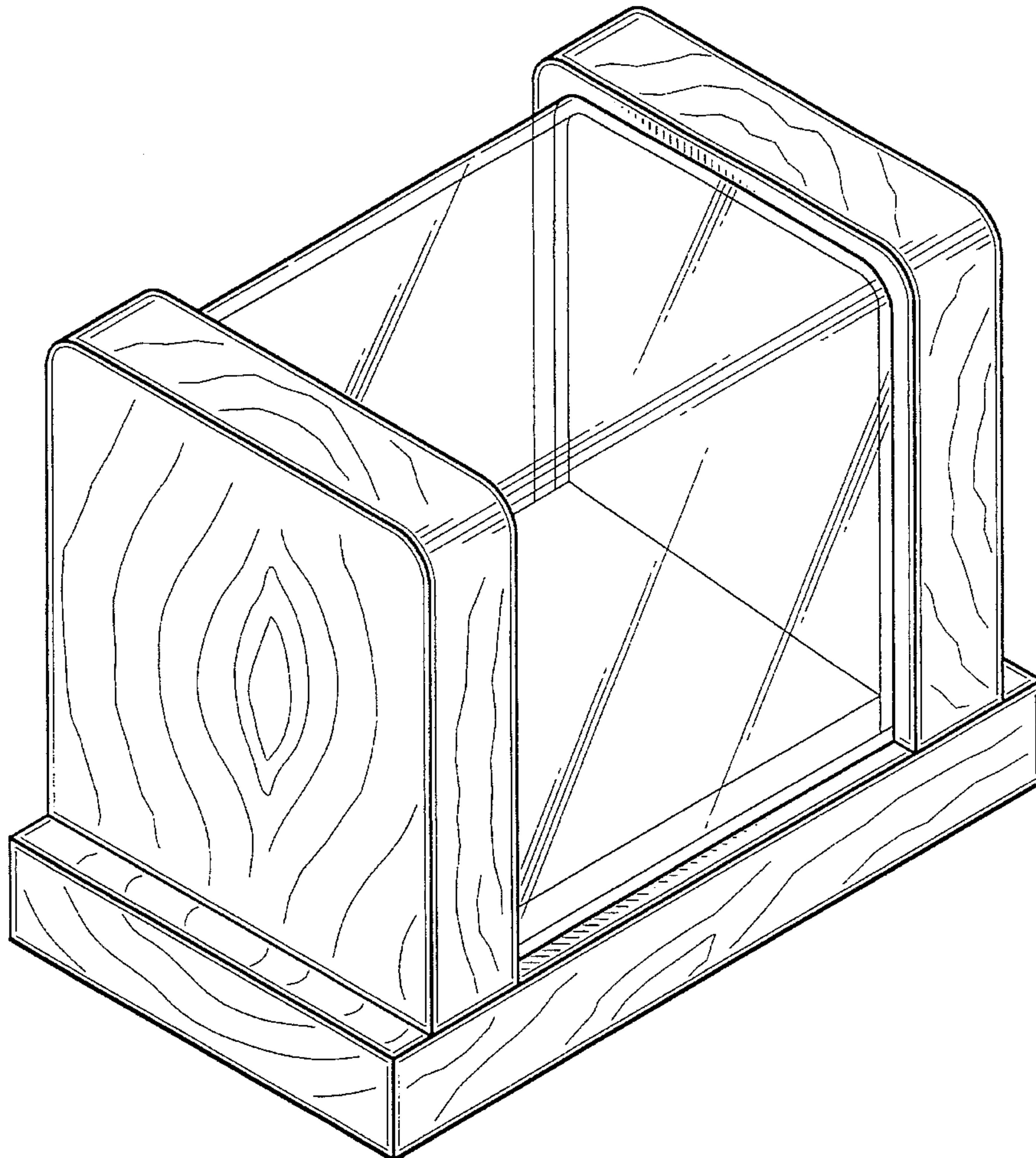
FIG. 5 is an end view thereof the opposite end being a mirror image thereof; and,

FIG. 6 is a rear view thereof.

U.S. PATENT DOCUMENTS

48,693	7/1865	Kinney et al.	312/114
D. 142,750	10/1945	Tourneau	D6/470
D. 266,526	10/1982	Raine	D6/454 X
D. 276,964	1/1985	Boland, II	D6/470
D. 351,518	10/1994	Burgess	D6/470
588,647	8/1987	Moorman	312/114
2,241,182	5/1940	Cayo .	
2,639,958	10/1951	Stephenson .	

1 Claim, 3 Drawing Sheets



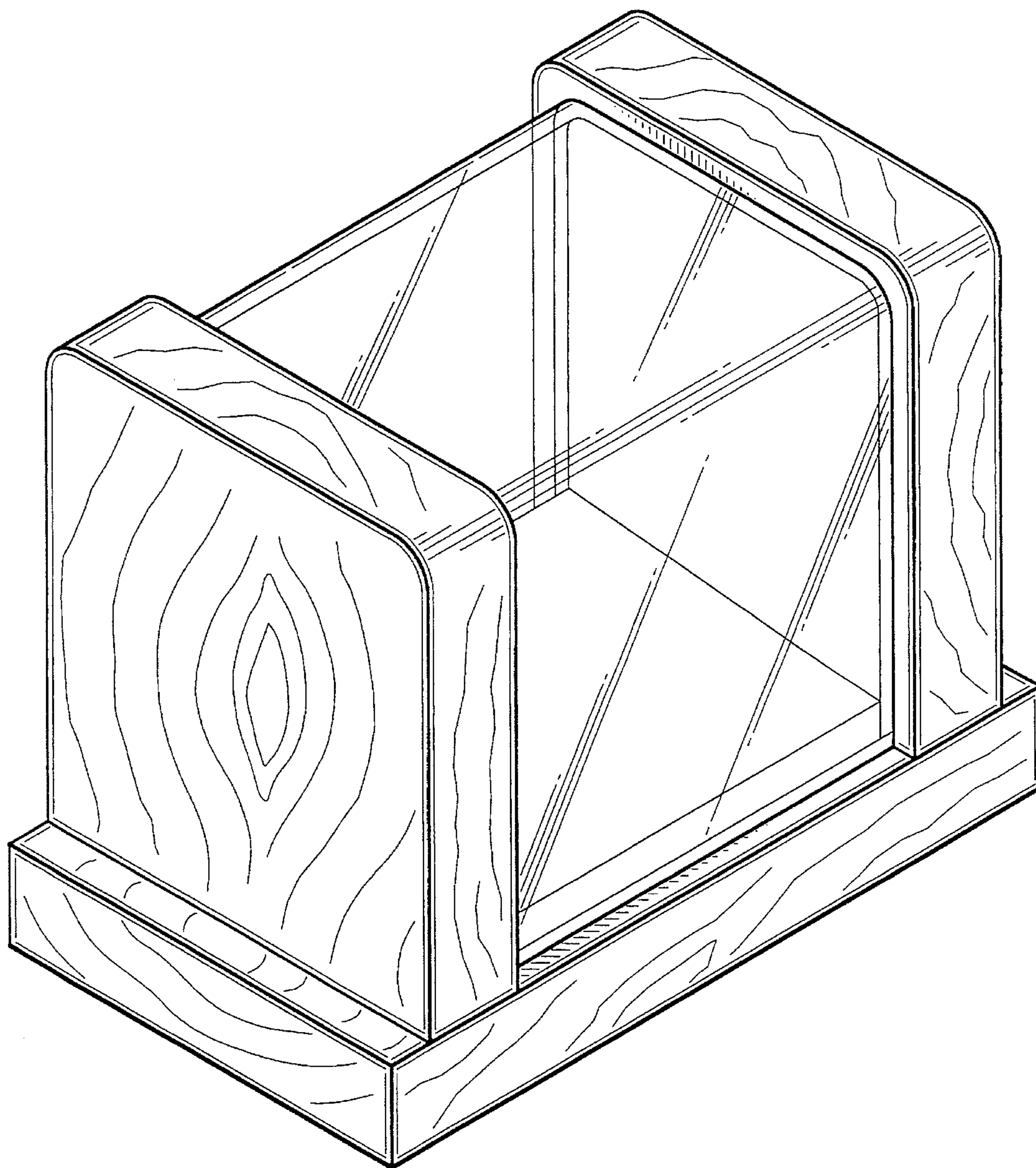


FIG-1

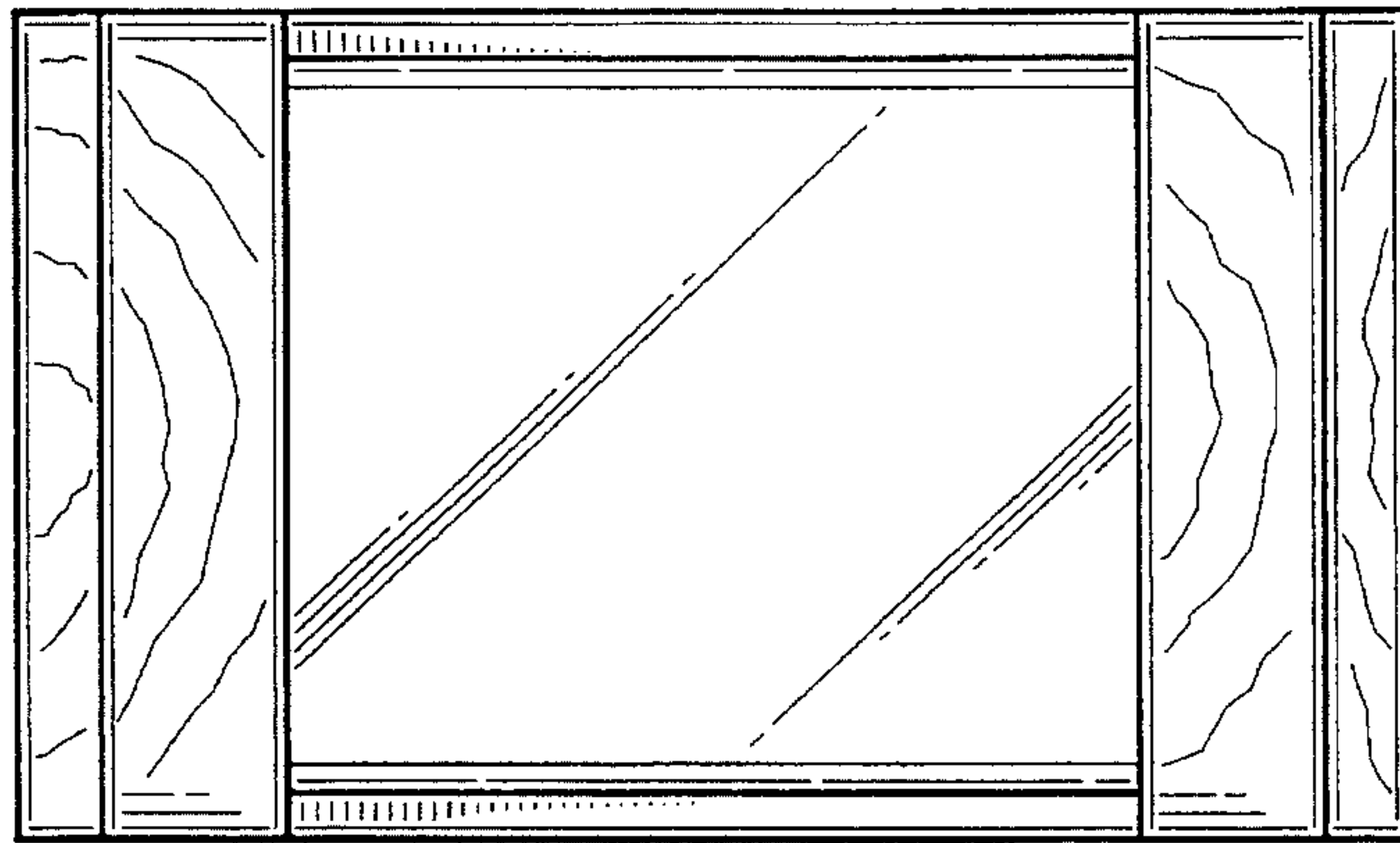


FIG-2

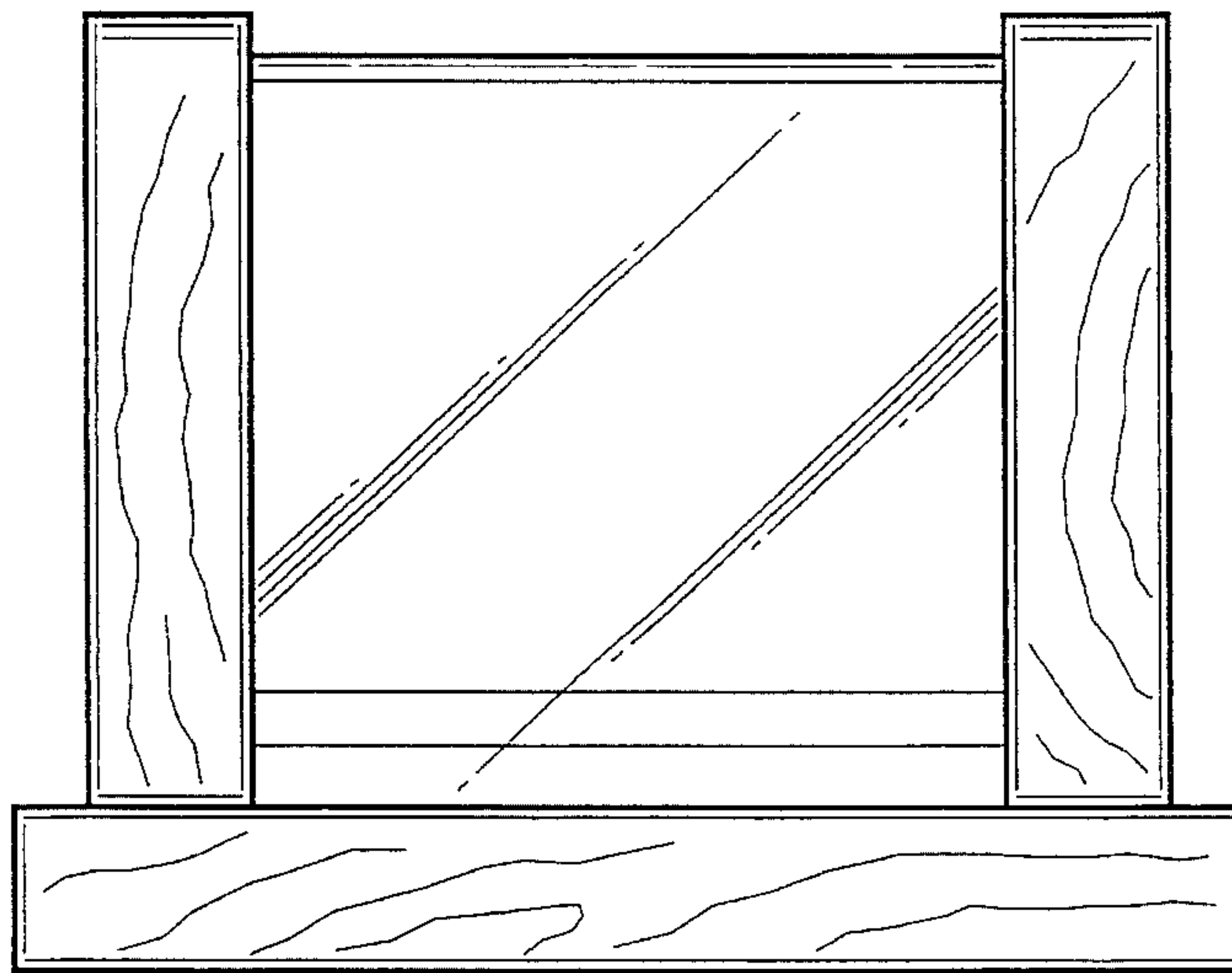


FIG-3

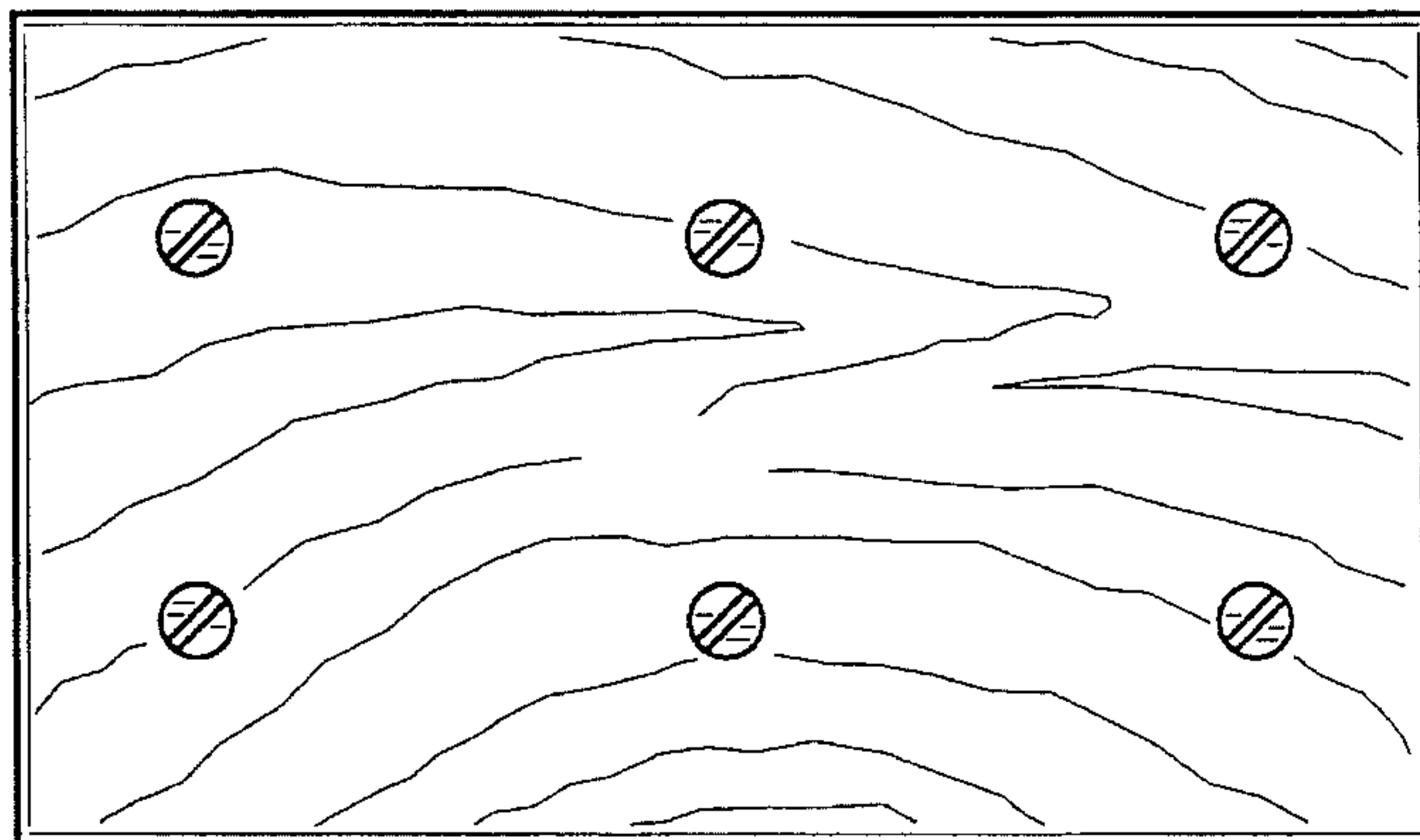


FIG-4

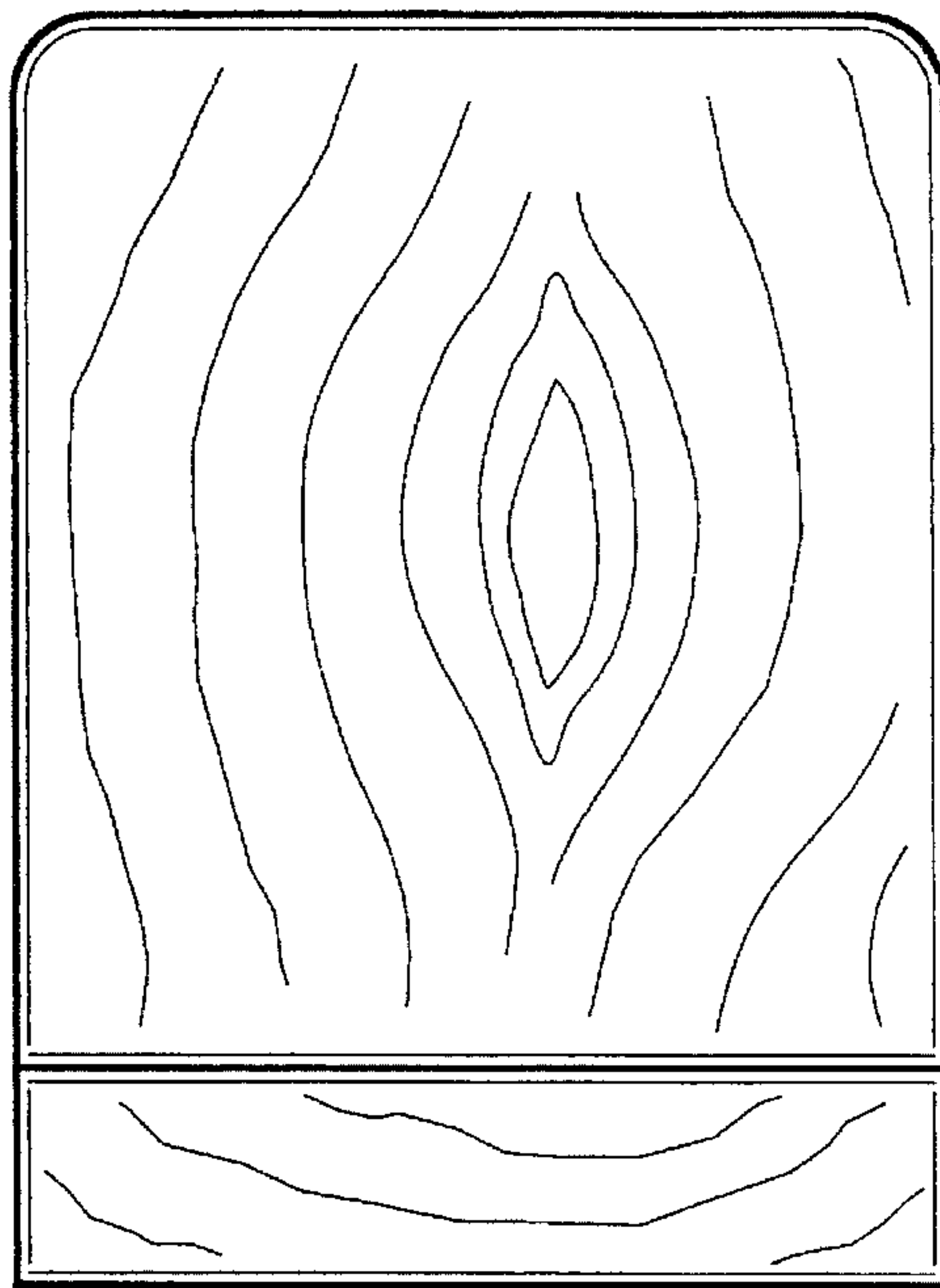


FIG-5

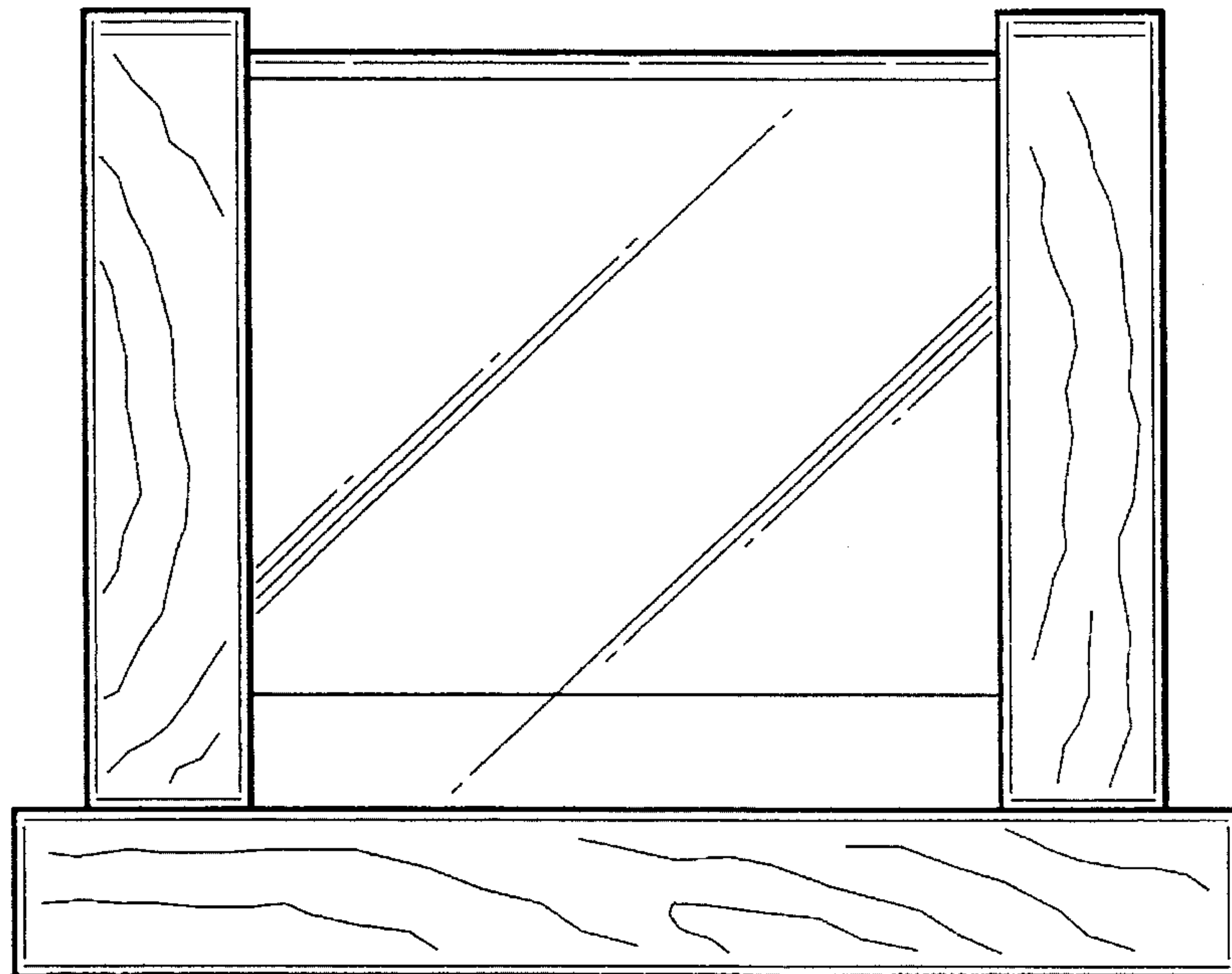


FIG-6