



US00D365227S

United States Patent [19]
Chambers et al.

[11] **Patent Number: Des. 365,227**
[45] **Date of Patent: **Dec. 19, 1995**

[54] **STORAGE RACK**

4,234,094 11/1980 Jorgensen 211/88

[76] Inventors: **Stephen C. Chambers; Anthony T. Zehnder**, both of Box 567, South Wellfleet, Mass. 02663

OTHER PUBLICATIONS

Montgomery Wards X-mas Book, 1958, p. 497, Shelving stand at center of page.
L. A. Darling Co. "Racks" Cat. No. 515, the rack shown, p. 1.

[**] Term: **14 Years**

Primary Examiner—Jeffrey Asch
Attorney, Agent, or Firm—Fay, Sharpe, Beall, Fagan, Minnich & McKee

[21] Appl. No.: **9,501**

[22] Filed: **Jun. 15, 1993**

[52] U.S. Cl. **D6/465; D6/407**

[58] **Field of Search** D6/407, 462-465, D6/410-414, 499, 405, 566, 629, 630; 248/175; 211/181, 182, 88, 14

[57] **CLAIM**

The ornamental design for a storage rack, as shown and described.

[56] **References Cited**

DESCRIPTION

U.S. PATENT DOCUMENTS

D. 121,783	8/1940	Castelli et al.	D6/462
D. 133,220	7/1942	Reiss	D6/465
D. 161,591	1/1951	Payer .	
D. 166,307	4/1952	Gibbs	D6/465
D. 174,532	4/1955	Duchin	D6/464
D. 308,608	6/1990	Arnold	D6/499 X
D. 309,998	8/1990	Sumrell et al. .	
D. 313,898	1/1991	Vukelich, Sr.	D6/405
2,110,158	3/1938	Keeler	D6/411 X
3,176,848	4/1965	Stefan .	
3,897,876	8/1975	Feldman	211/182 X

FIG. 1 is a top plan view of a storage rack showing my new design;
FIG. 2 is a front elevational view thereof, the rear elevational view thereof being a mirror image;
FIG. 3 is a left side elevational view thereof, the right side elevational view thereof being a mirror image;
FIG. 4 is a bottom plan view thereof; and,
FIG. 5 is a perspective view thereof.
The storage rack is used to hold compact disks, and tape cassettes.

1 Claim, 2 Drawing Sheets

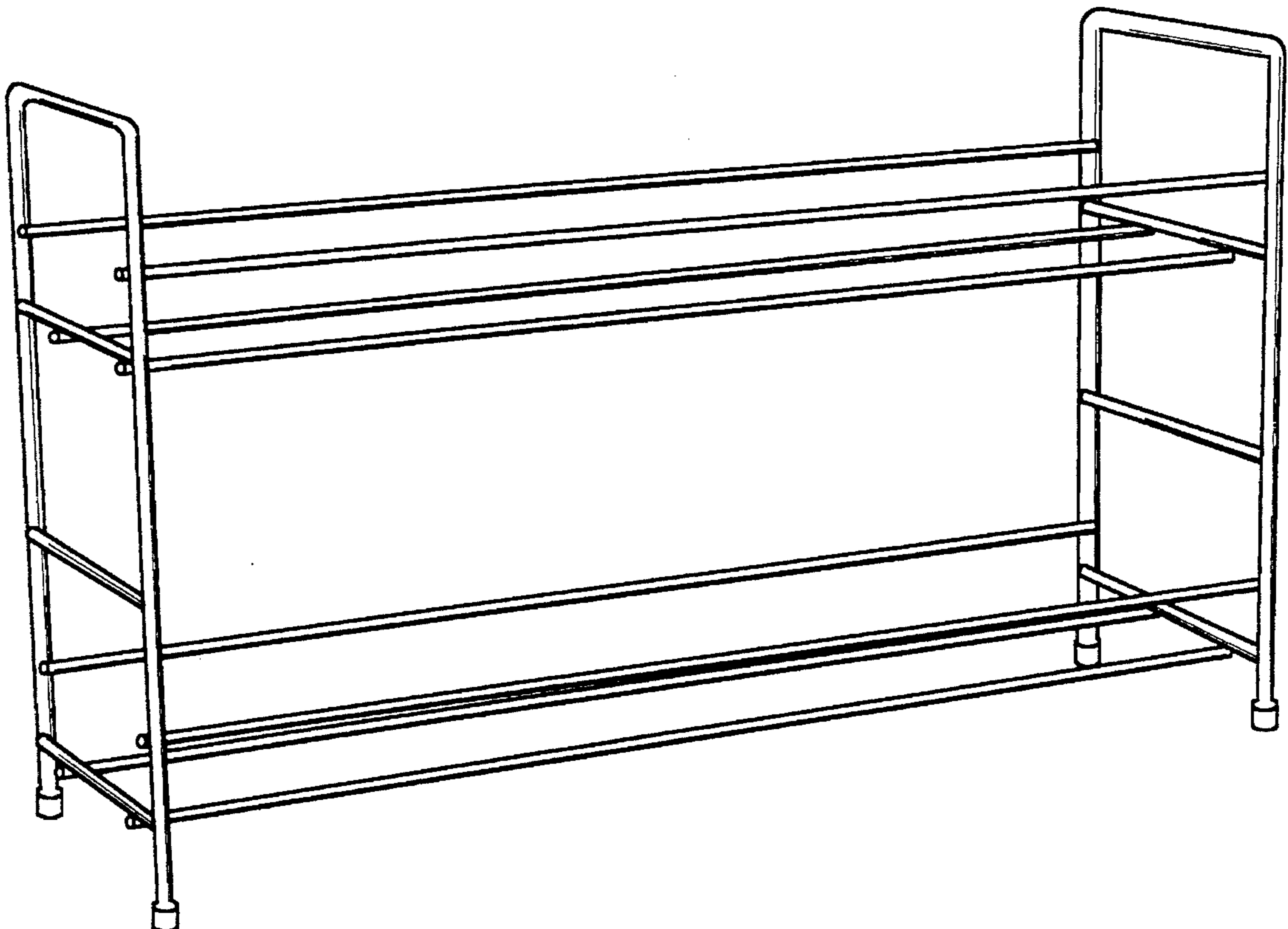


FIG. 3

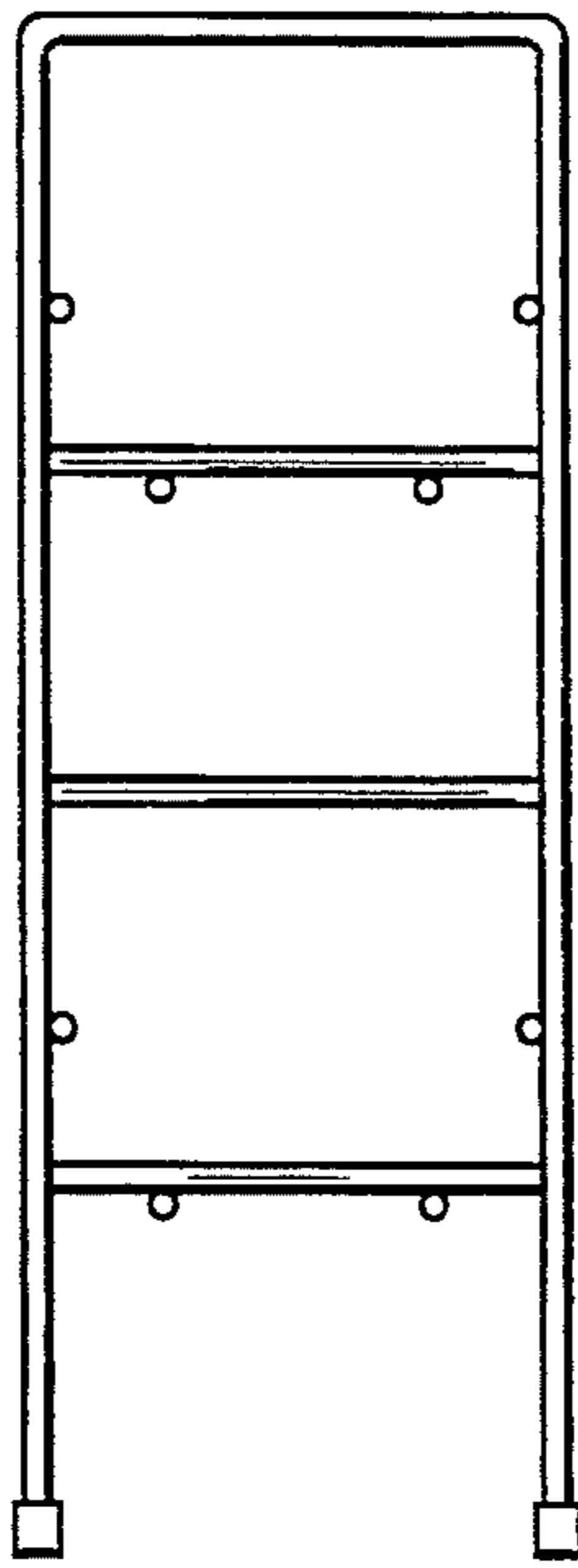


FIG. 2

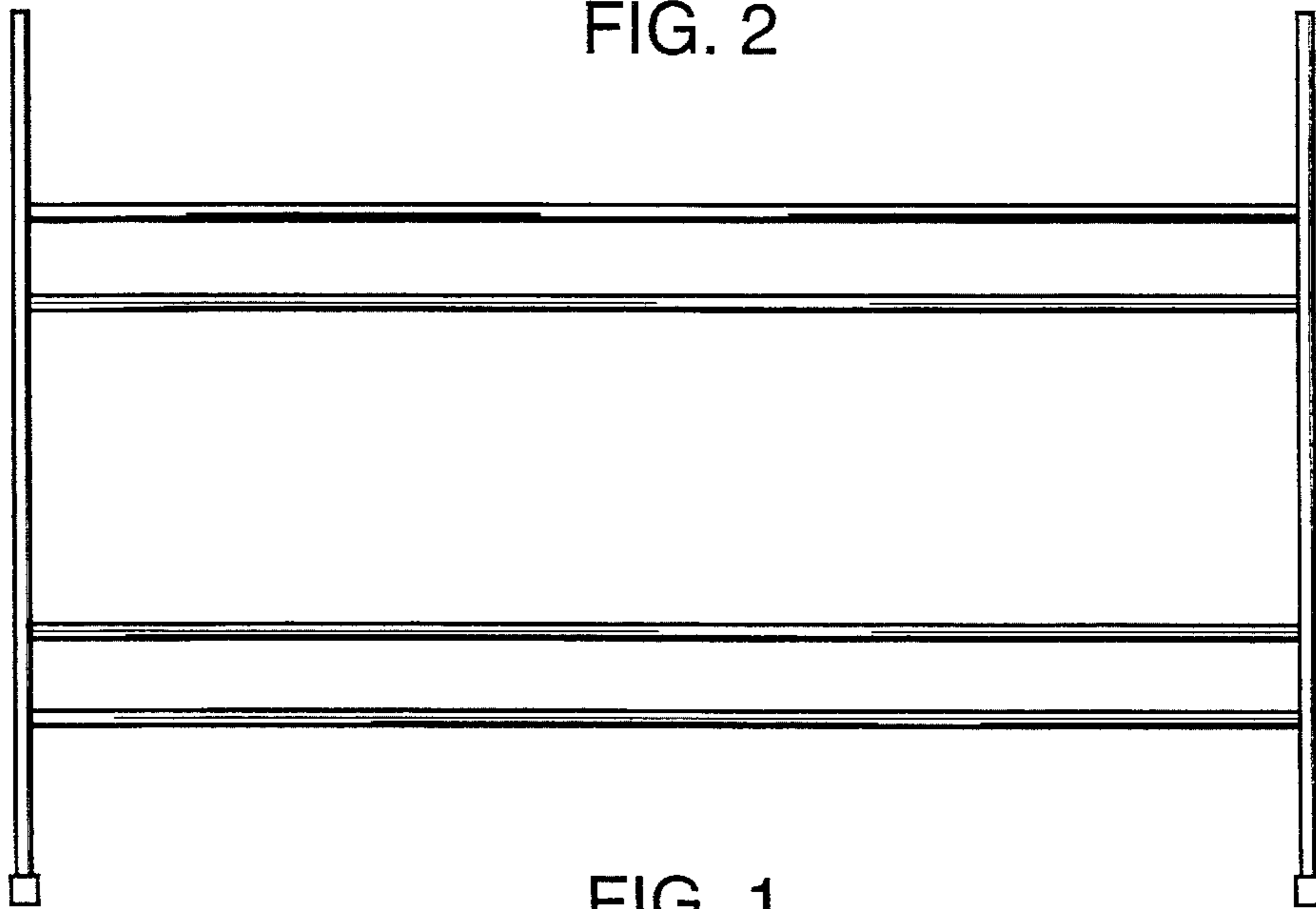


FIG. 1

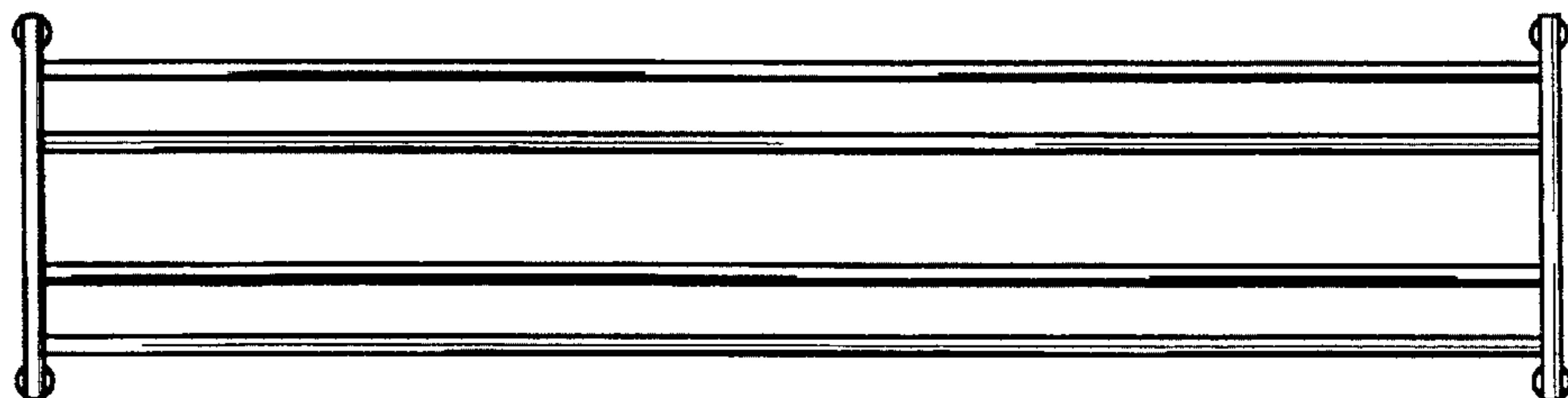


FIG. 4

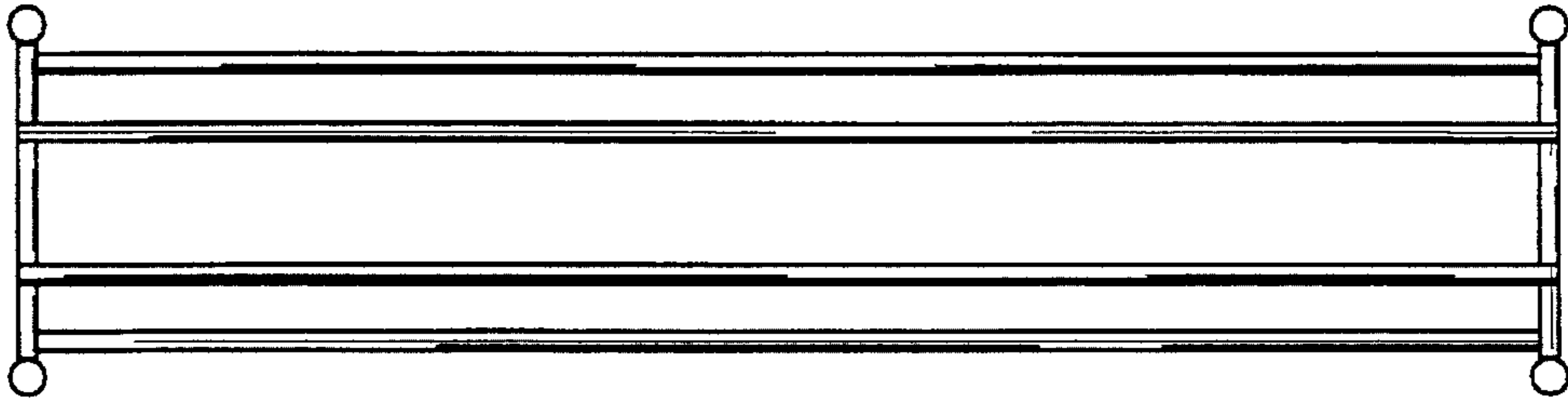


FIG. 5

