



US00D365225S

# United States Patent [19]

Poortvliet et al.

[11] Patent Number: **Des. 365,225**

[45] Date of Patent: **\*\*Dec. 19, 1995**

[54] **FILE CABINET**

[75] Inventors: **Robert J. Poortvliet**, Jenison, Mich.;  
**Michael L. Murphree**; **Thomas A. Bursh**, both of Naperville, Ill.

[73] Assignee: **White Consolidated Industries, Inc.**,  
Cleveland, Ohio

[\*\*] Term: **14 Years**

[21] Appl. No.: **10,857**

[22] Filed: **Jul. 20, 1993**

[52] U.S. Cl. .... **D6/446**

[58] Field of Search ..... D6/396, 397, 432-448

D. 318,582	7/1991	Hollington .....	D6/446
D. 324,965	3/1992	Nelsen .	
D. 326,197	5/1992	Heiligenthal et al. .	
D. 327,794	7/1992	Zapf .	
3,868,157	2/1975	Robinson .	
4,702,534	10/1987	Witt et al. ....	D6/442 X

*Primary Examiner*—Alan P. Douglas  
*Assistant Examiner*—Cathron B. Matta  
*Attorney, Agent, or Firm*—Pearne, Gordon, McCoy & Granger

## [57] CLAIM

The ornamental design for a file cabinet, as shown and described.

## DESCRIPTION

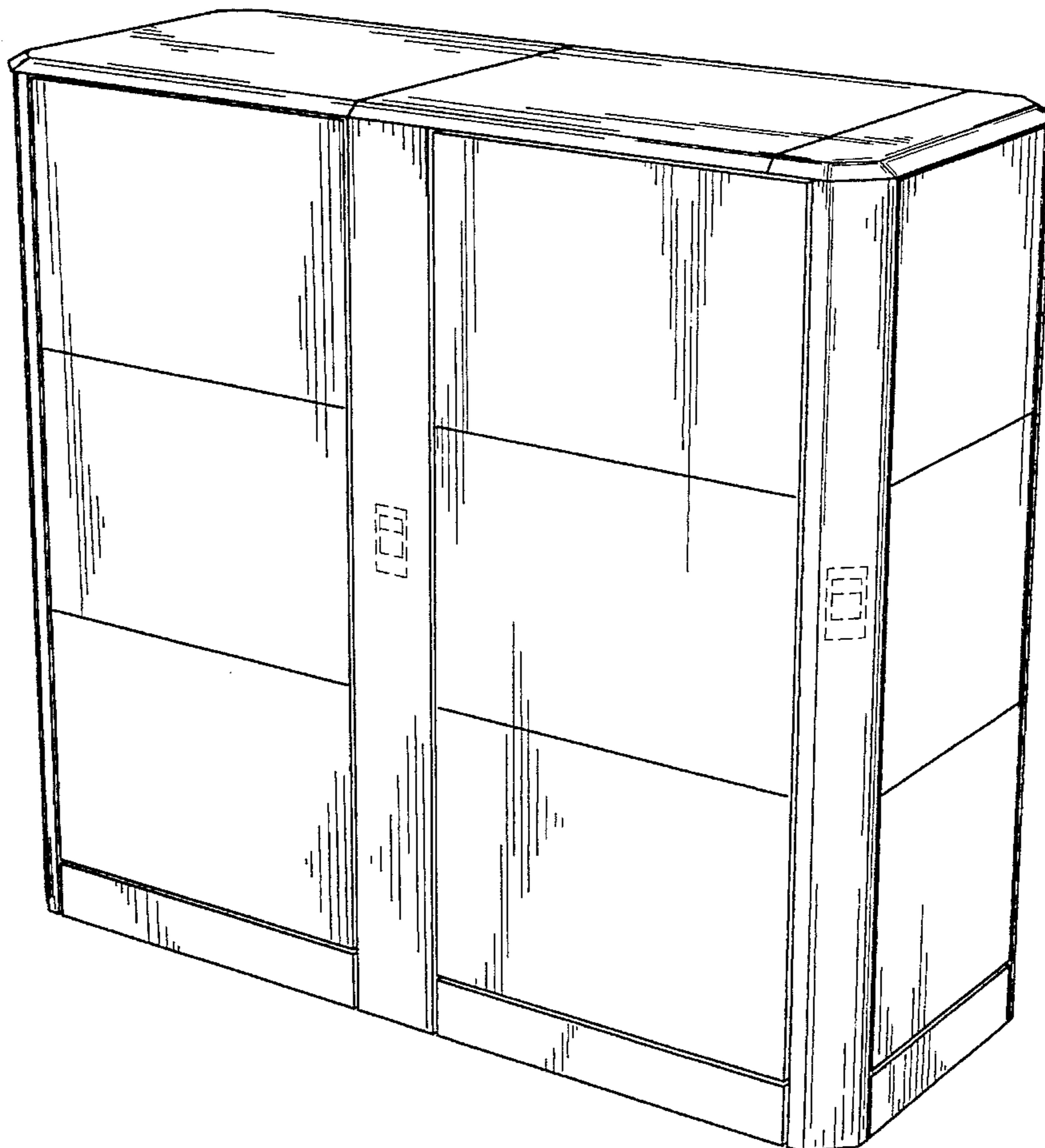
FIG. 1 is a perspective view of a file cabinet showing the new design, handles for the file cabinet being shown in broken lines for illustrative purposes only and forming no part of the claimed design;  
FIG. 2 is a top plan view;  
FIG. 3 is a front elevational view;  
FIG. 4 is a bottom plan view;  
FIG. 5 is a left side elevational view thereof, the right side elevational view being identical; and,  
FIG. 6 is a rear elevational view.

## [56] References Cited

### U.S. PATENT DOCUMENTS

D. 99,958	6/1936	Morgan .....	D6/438 X
D. 119,845	4/1940	Greenburg .	
D. 262,848	2/1982	Dowse .	
D. 264,656	6/1982	Oscarson .	
D. 276,574	12/1984	Ackeret .	
D. 284,243	6/1986	Barber .	
D. 290,198	6/1987	Barber .	
D. 303,894	10/1989	Baus .	
D. 303,895	10/1989	Baus .	
D. 313,709	1/1991	Offredi .	

**1 Claim, 3 Drawing Sheets**



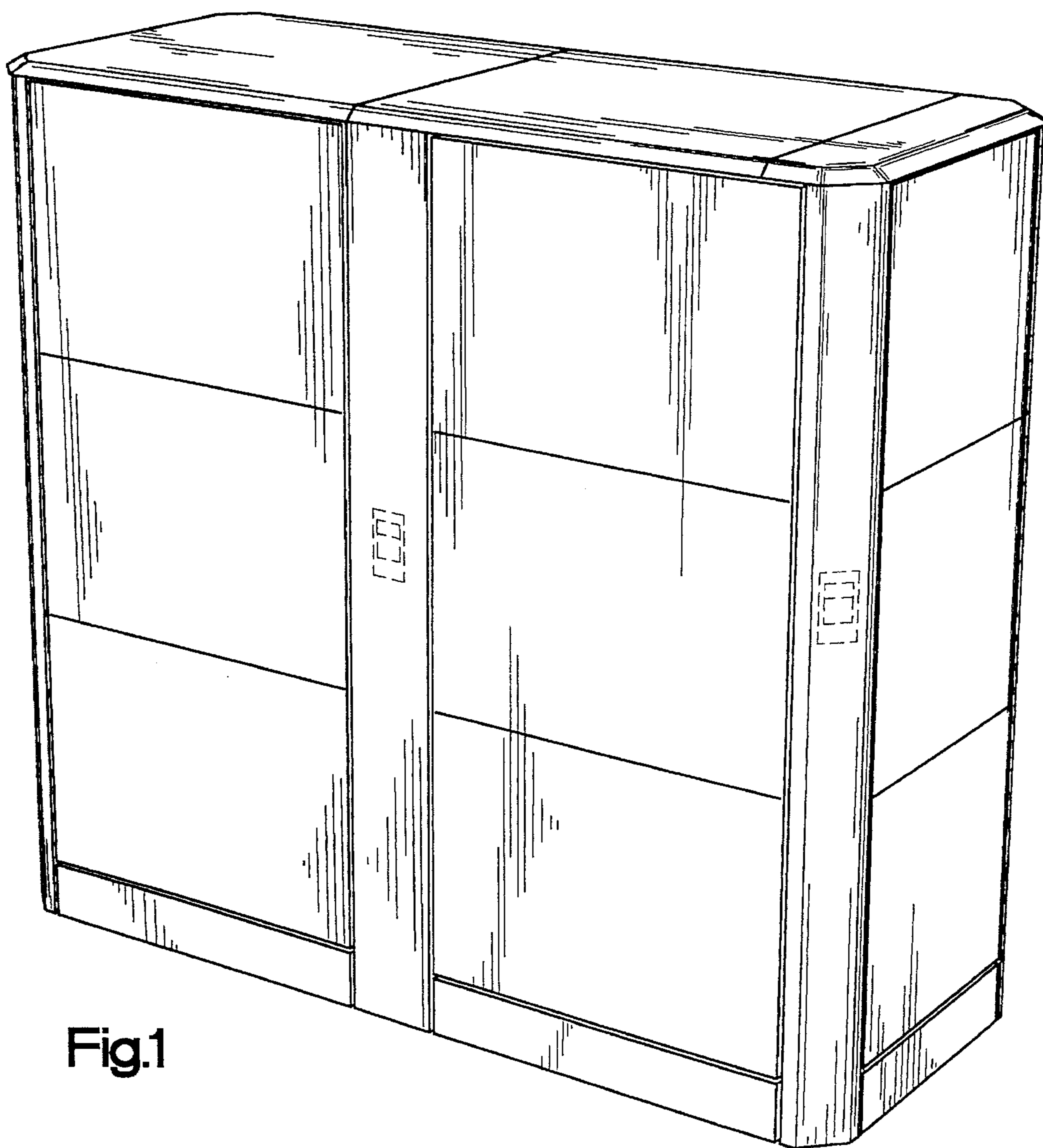


Fig.1

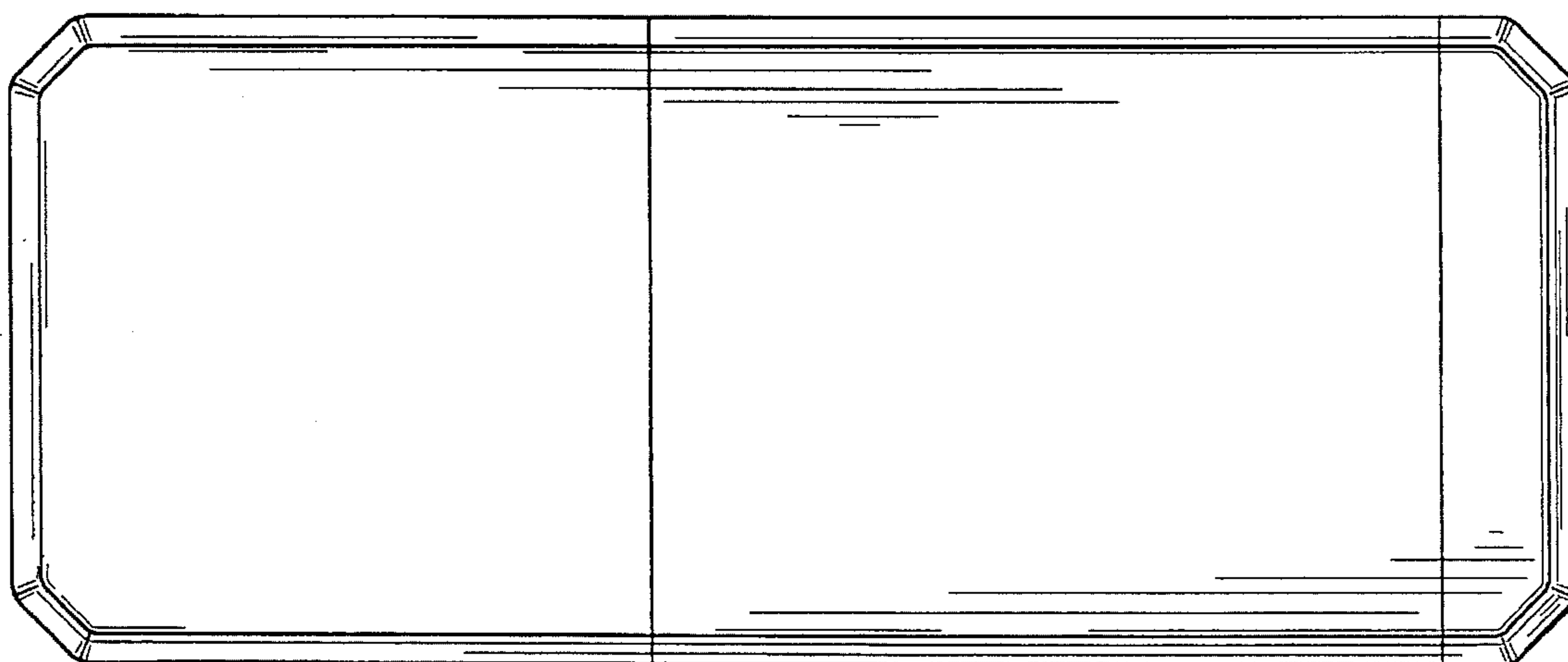


Fig.2

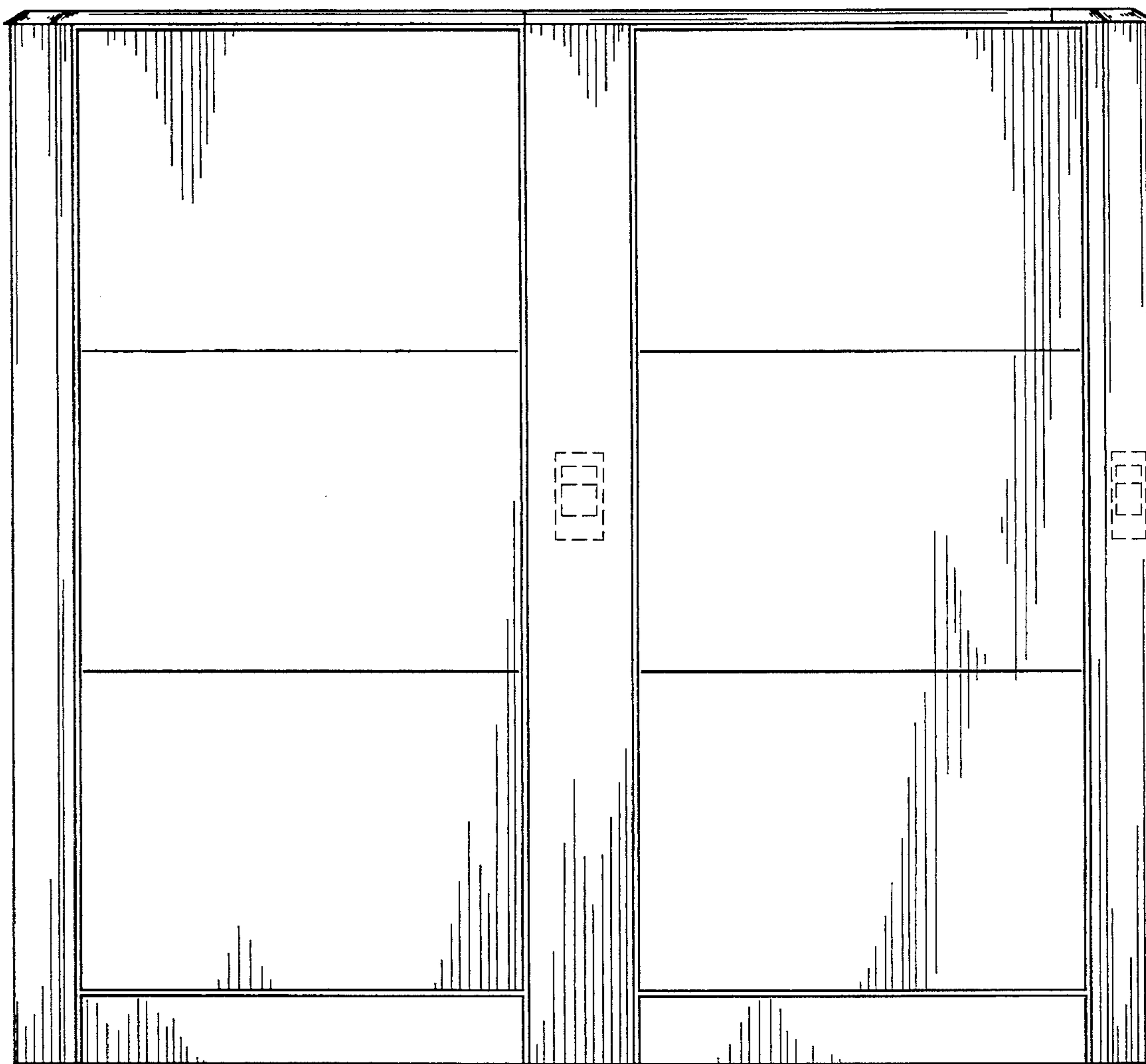


Fig.3

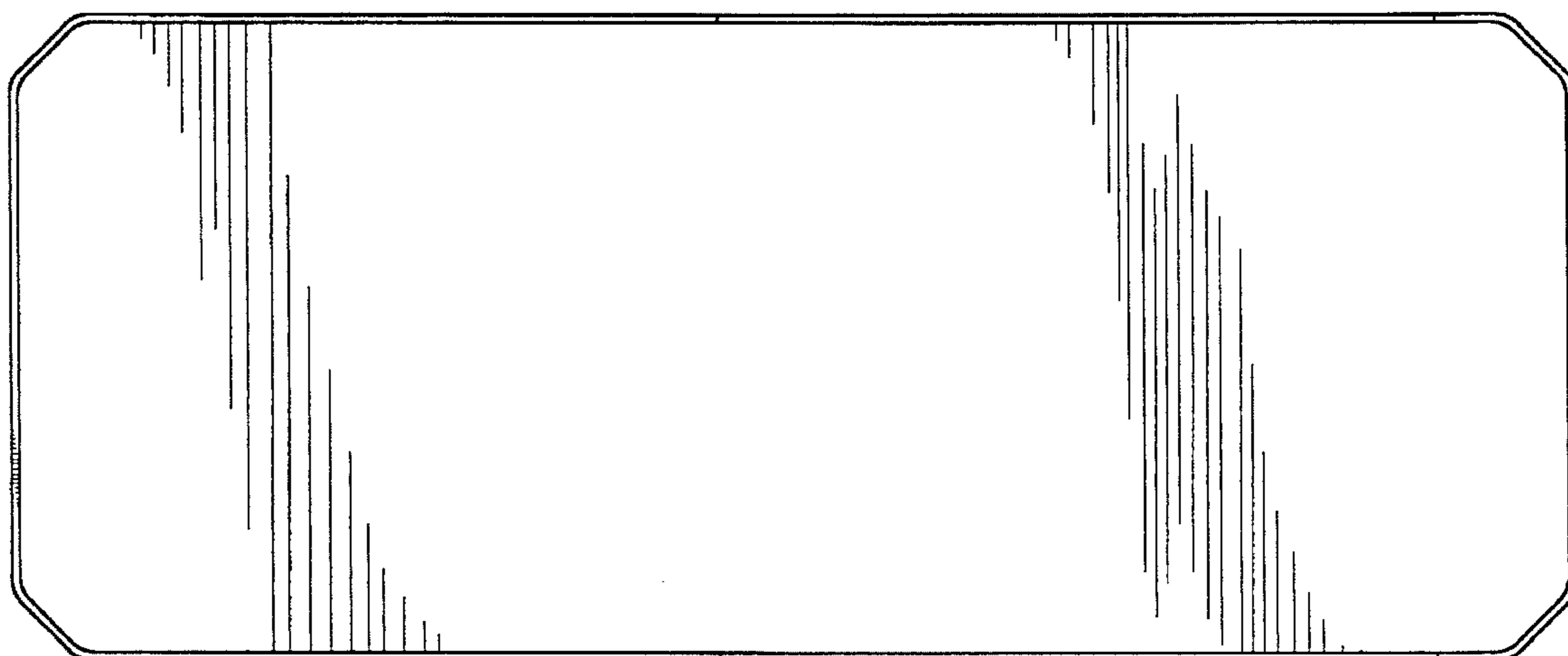


Fig.4

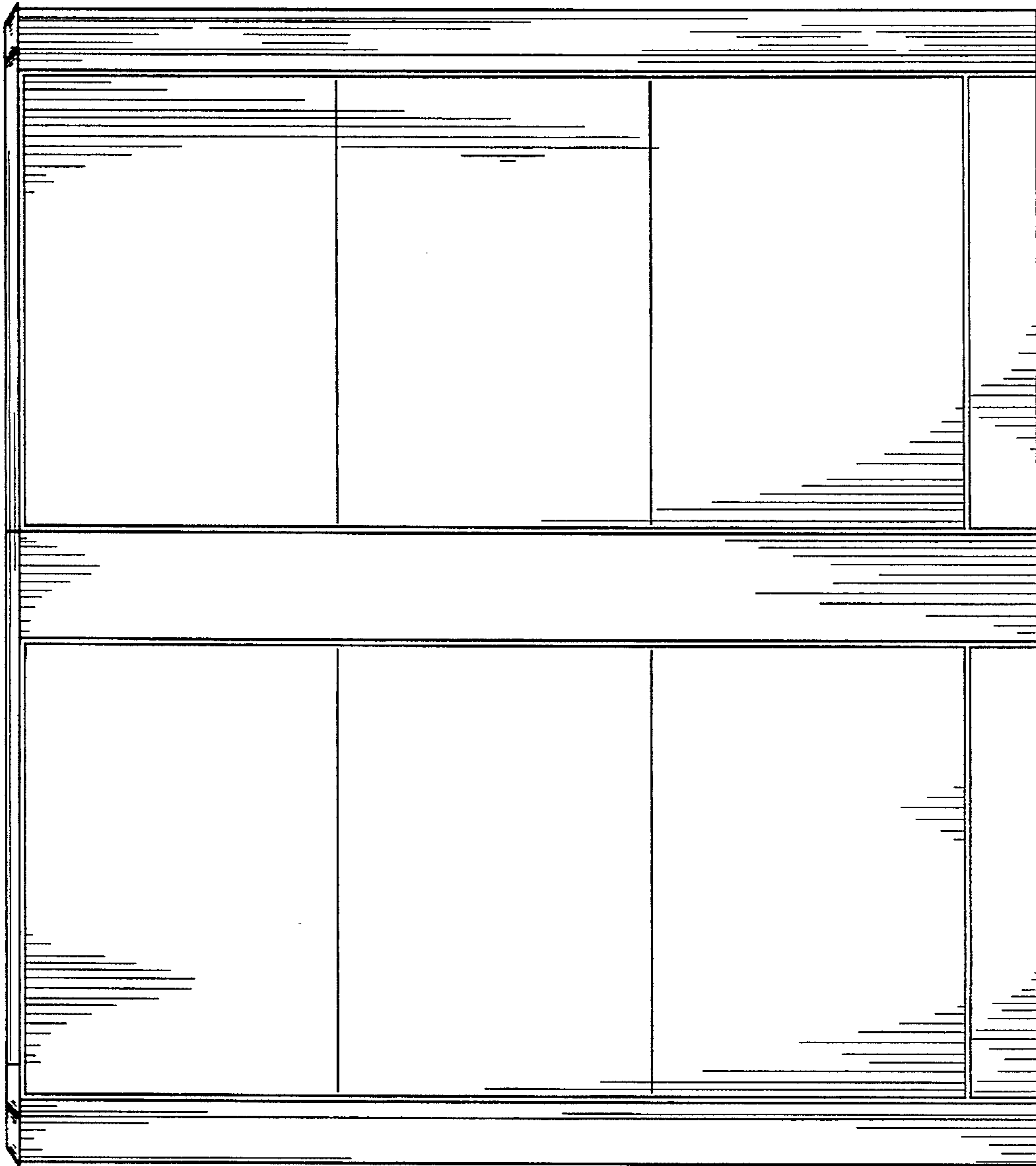


Fig.6

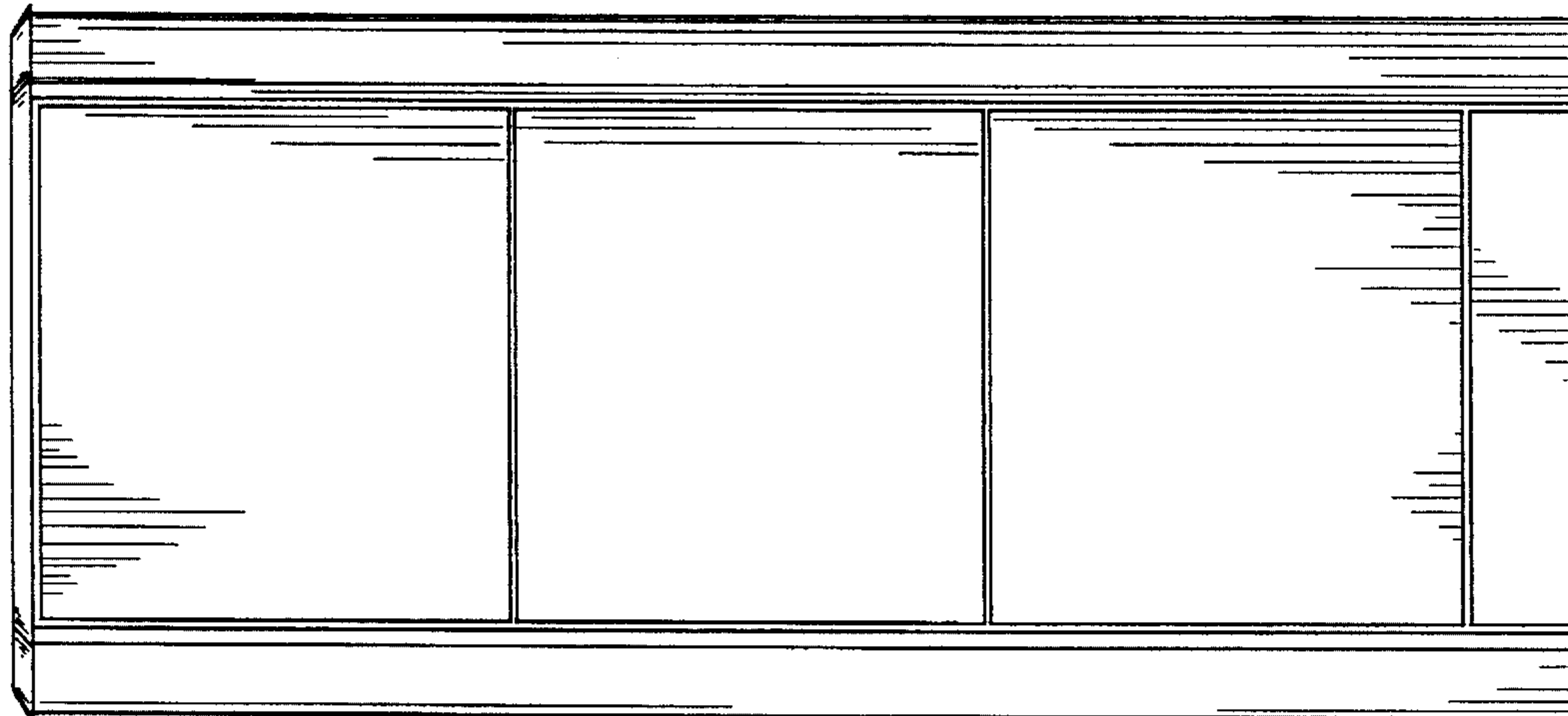


Fig.5