



US00D365224S

# United States Patent [19]

Pohlman

[11] Patent Number: **Des. 365,224**

[45] Date of Patent: **\*\*Dec. 19, 1995**

[54] **FILE STORAGE UNIT**

[75] Inventor: **J. Kipton Pohlman**, Los Angeles, Calif.

[73] Assignee: **MicroComputer Accessories Inc.**, Inglewood, Calif.

[\*\*] Term: **14 Years**

[21] Appl. No.: **25,667**

[22] Filed: **Jul. 7, 1994**

[52] U.S. Cl. .... **D6/445**

[58] Field of Search ..... D6/432-448; 312/107, 312/204, 198, 290

[56] **References Cited**

**U.S. PATENT DOCUMENTS**

D. 236,782	9/1975	Sklaroff .....	D6/446
D. 288,639	3/1987	Johansson .....	D6/448
D. 328,824	8/1992	Bellini et al. ....	D6/445
D. 331,335	12/1992	Zapf .....	D6/446
D. 340,820	11/1993	Frischer .....	D6/441

**OTHER PUBLICATIONS**

*Rubbermaid Office Products Cat.* 1991; p. 13; stockable drawer-opening card file #2421 top right on page.

Primary Examiner—Carmen H. Vales-Lado

Attorney, Agent, or Firm—Richard B. Planick; Lisa B. Riedesel

[57] **CLAIM**

The ornamental design for a file storage unit, as shown and described.

**DESCRIPTION**

FIG. 1 is a top left front perspective view of a file storage unit showing my new design;

FIG. 2 is a front elevational view thereof;

FIG. 3 is a top plan view thereof;

FIG. 4 is a left side elevational view thereof; the right side elevational view being a mirror image;

FIG. 5 is a rear elevational view thereof;

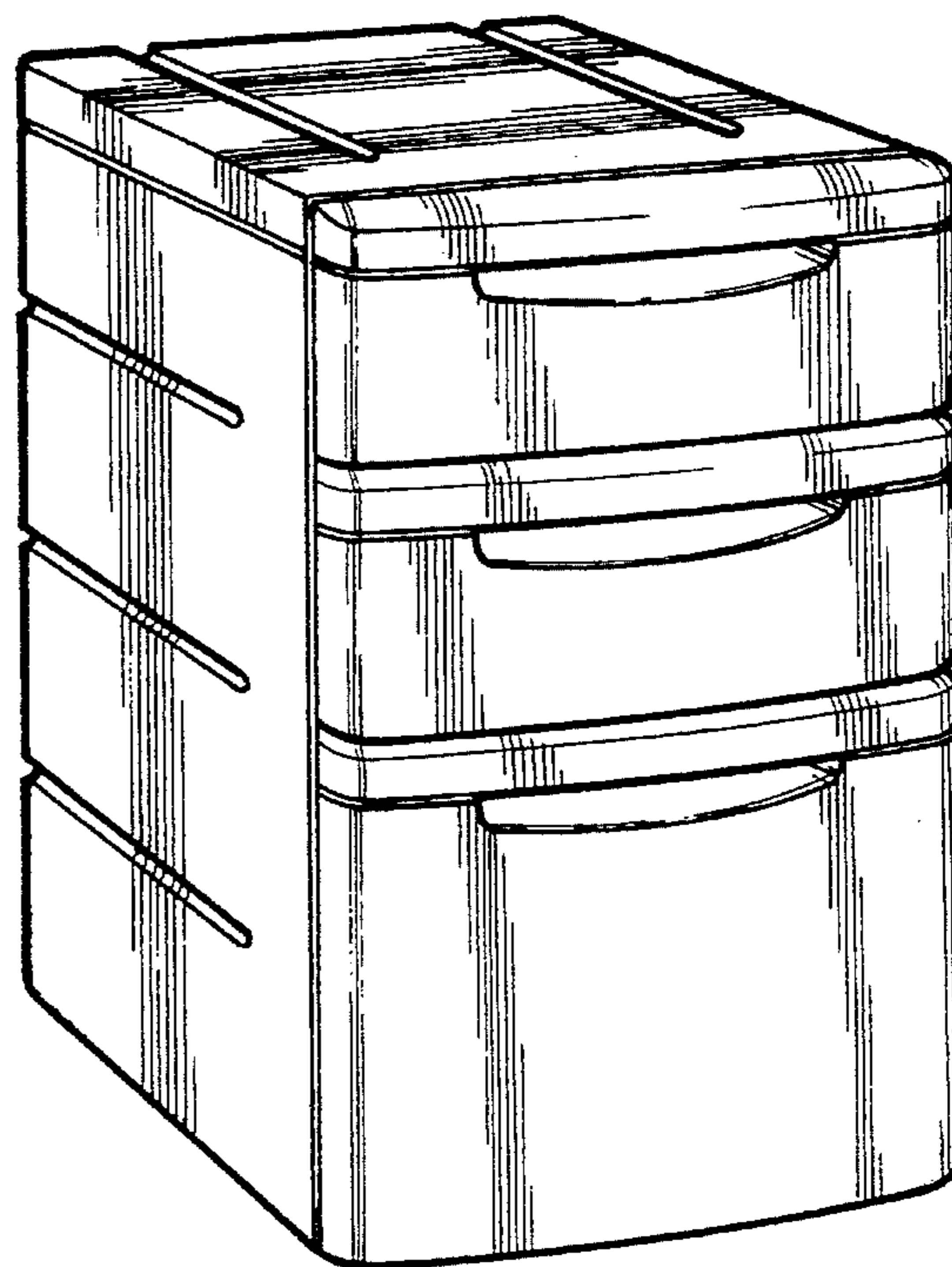
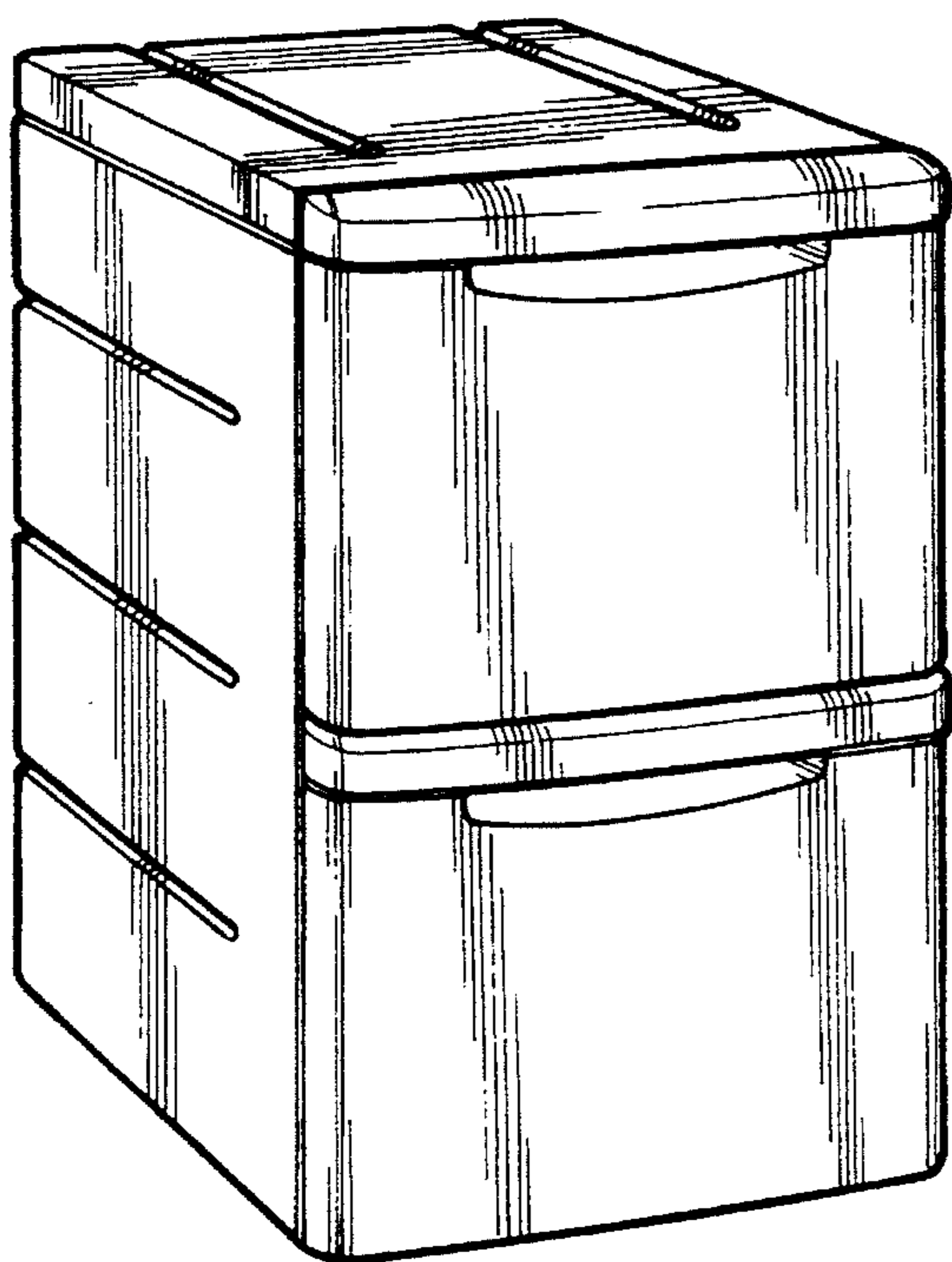
FIG. 6 is a bottom plan view thereof;

FIG. 7 is a top left perspective view of an alternate embodiment of a file storage unit showing my new design;

FIG. 8 is a front elevational view of the alternate embodiment; and,

FIG. 9 is a left side elevational view of the alternate embodiment; the right side elevational view being a mirror image. The rear elevational, top plan and bottom plan views would be as expected from FIGS. 3, 5 and 6.

**1 Claim, 5 Drawing Sheets**



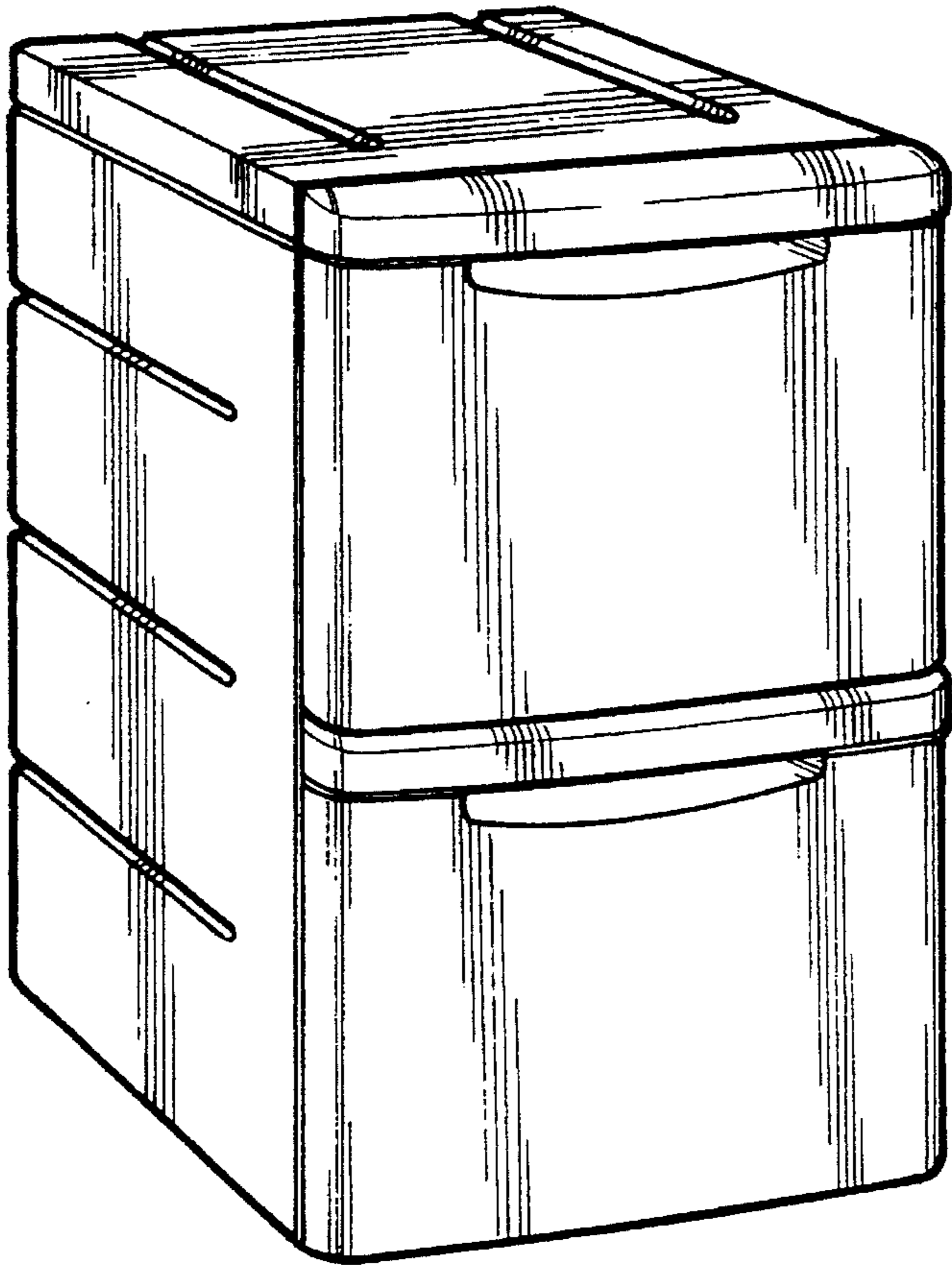


Fig-1

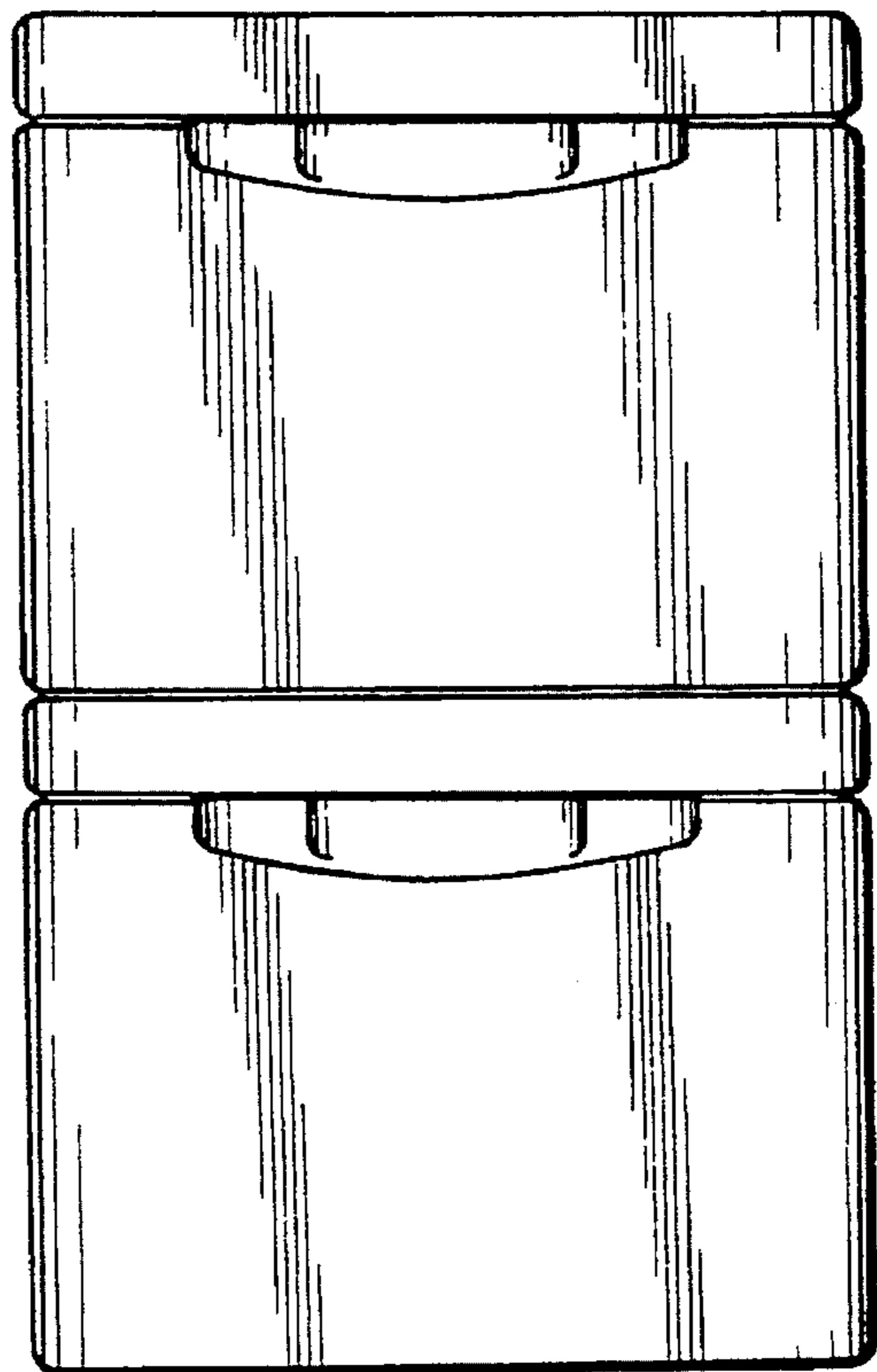


Fig-2

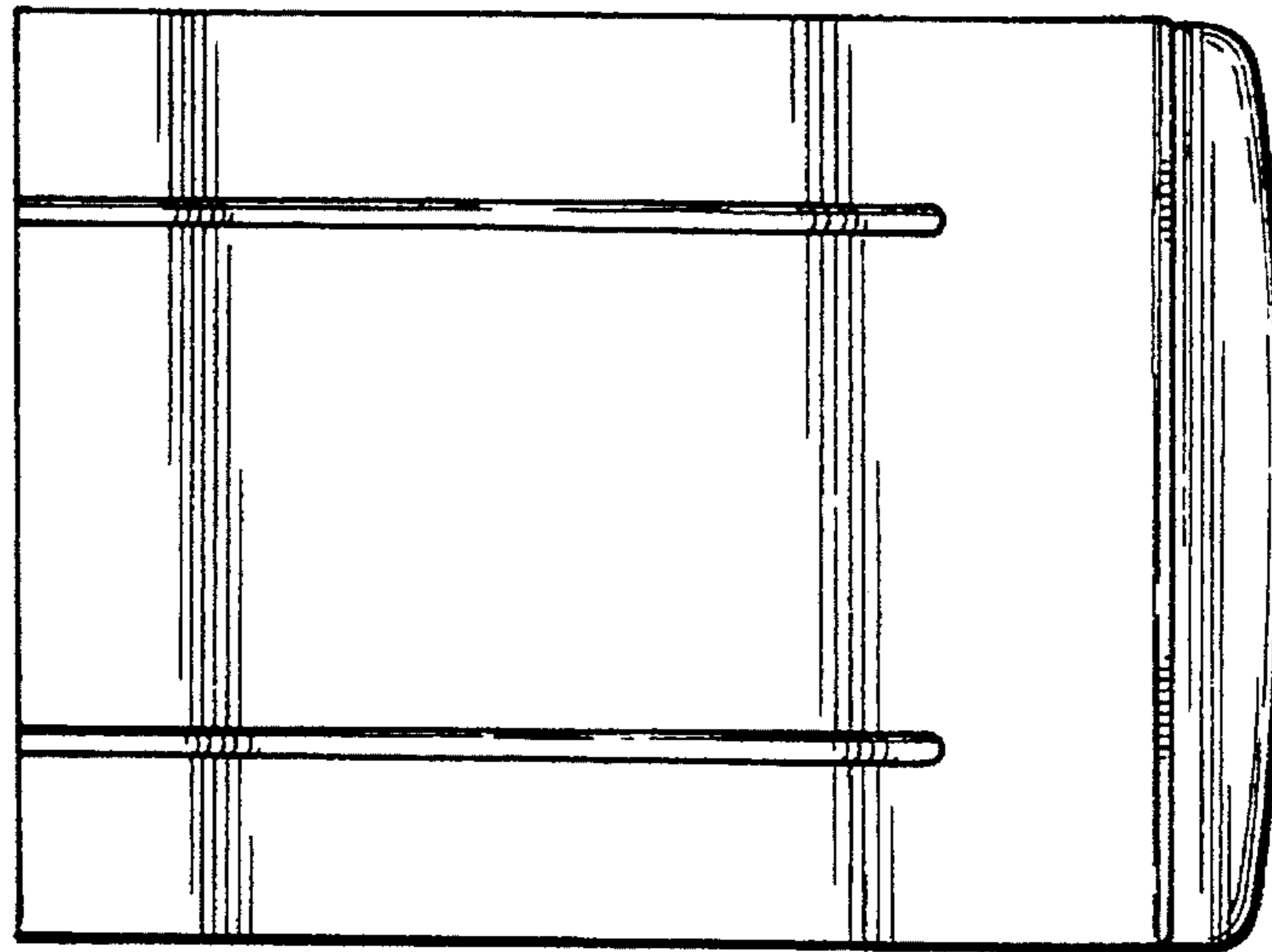


Fig-3

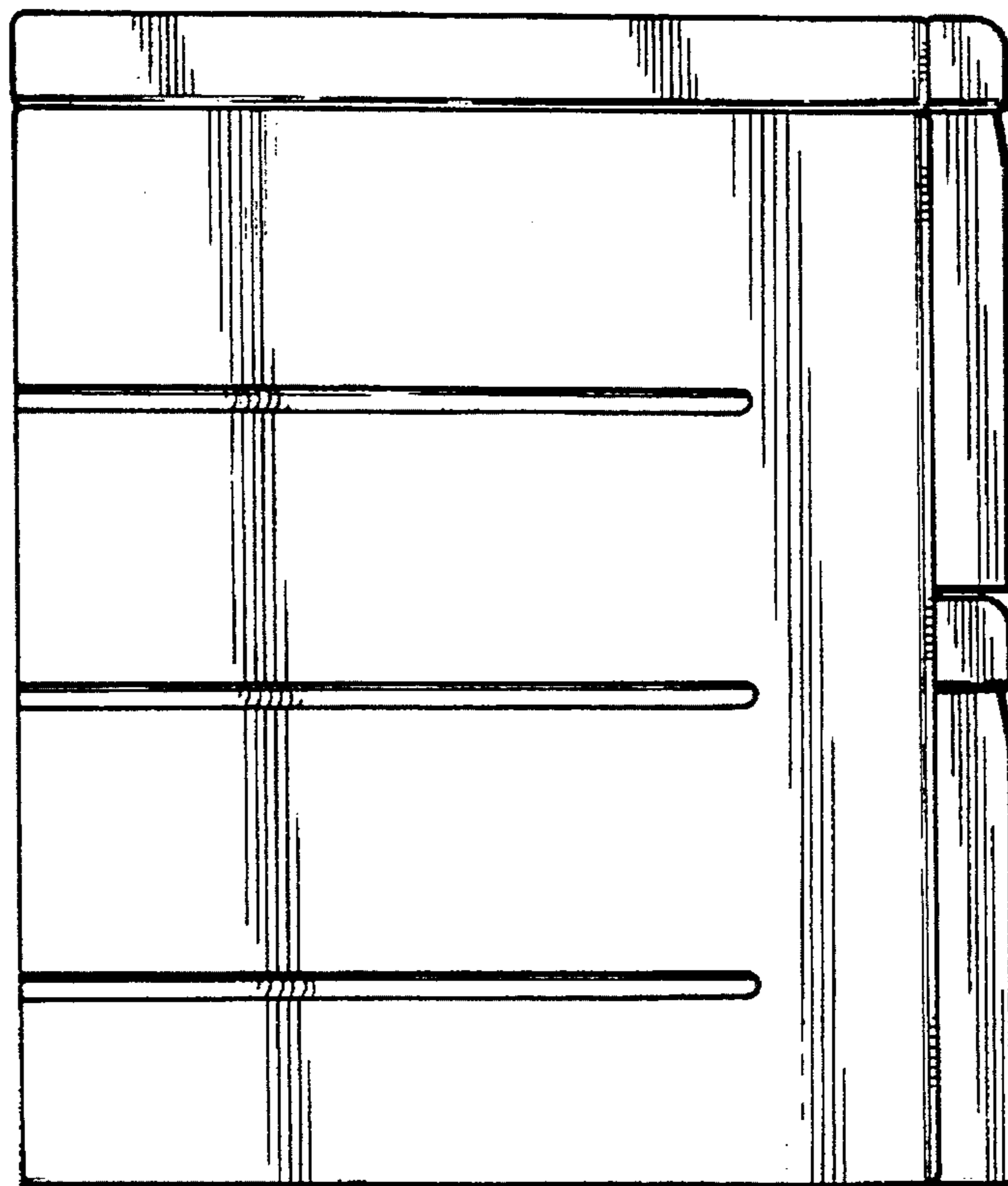


Fig-4

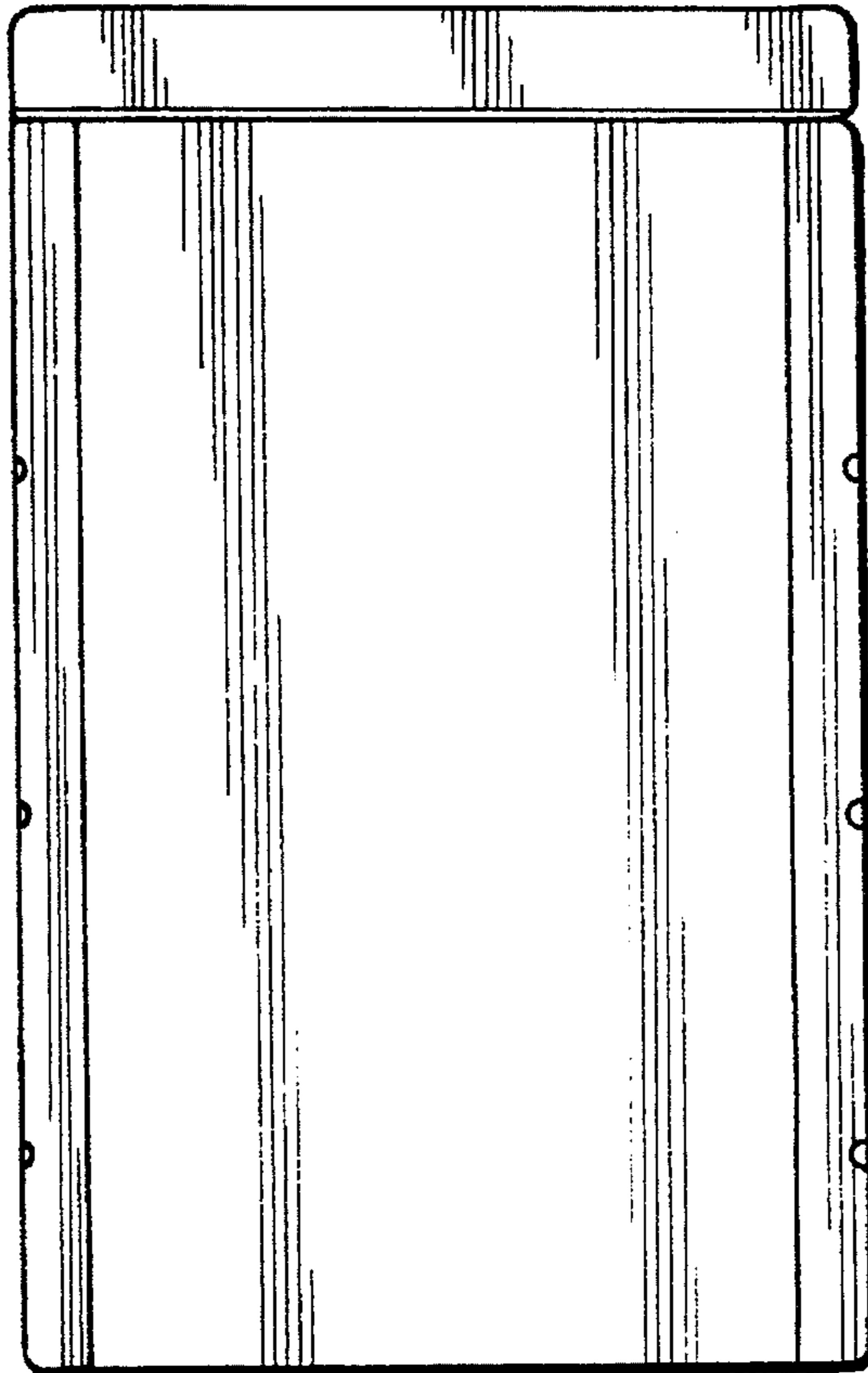


Fig-5

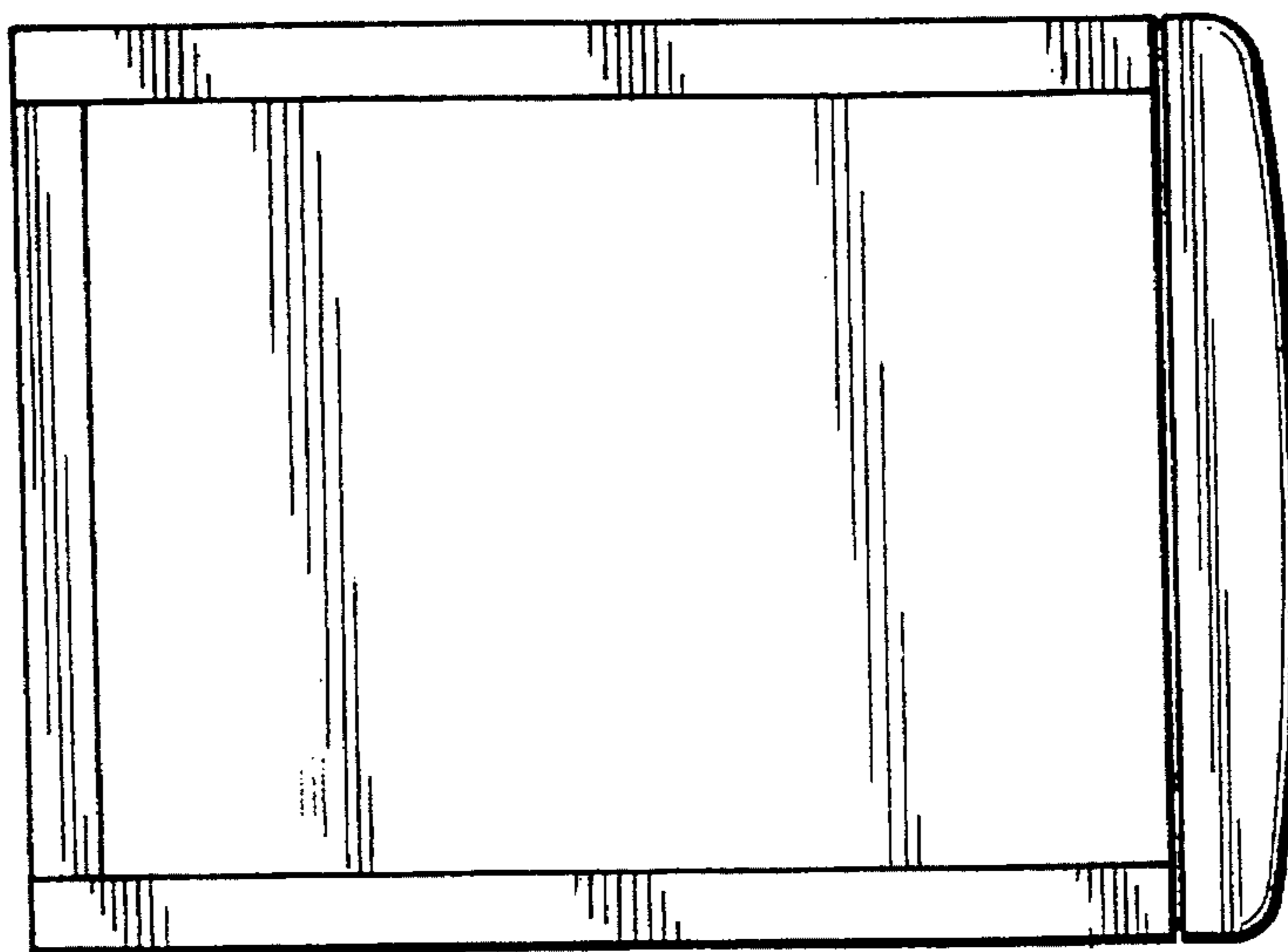


Fig-6

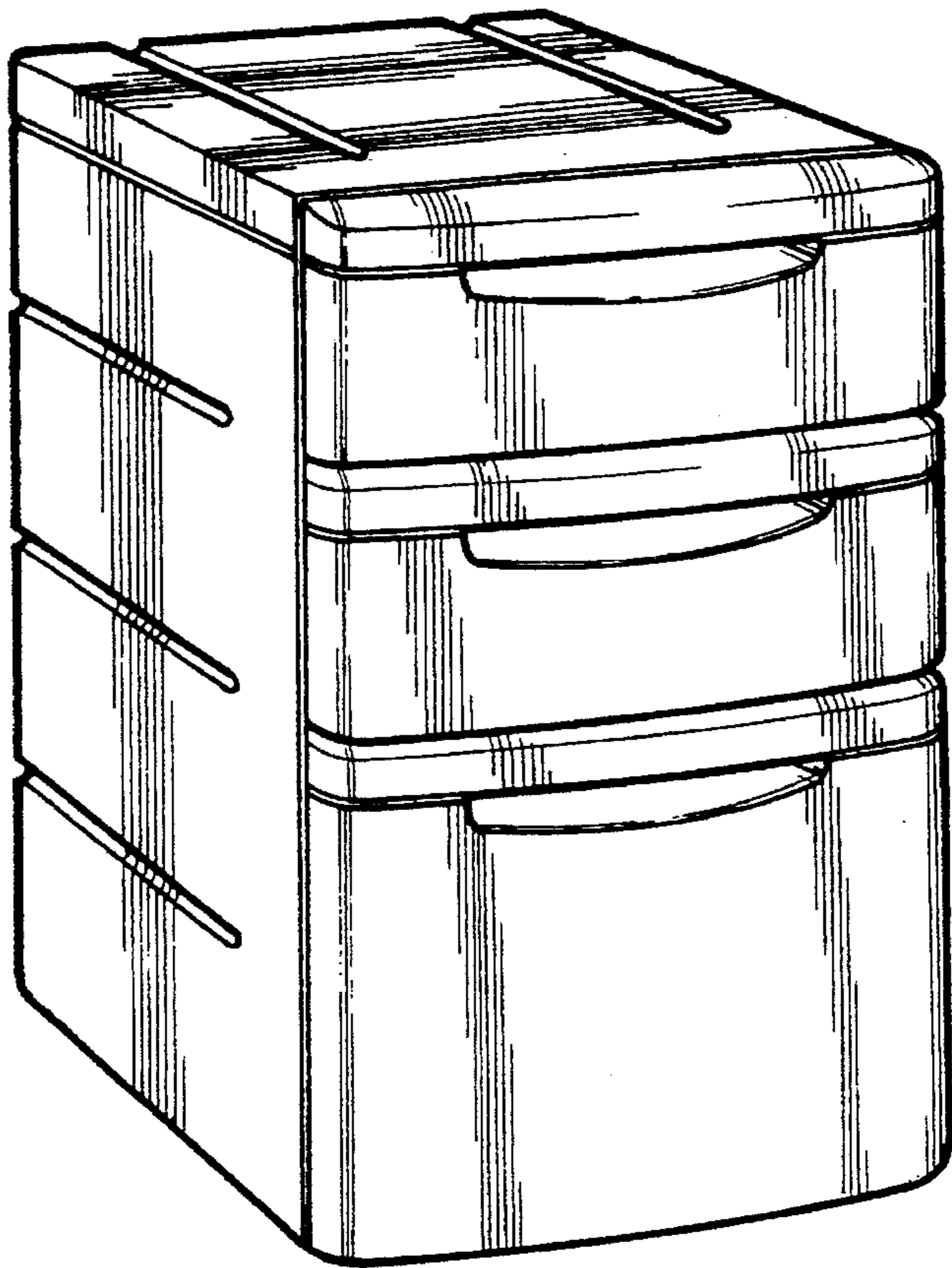


Fig-7

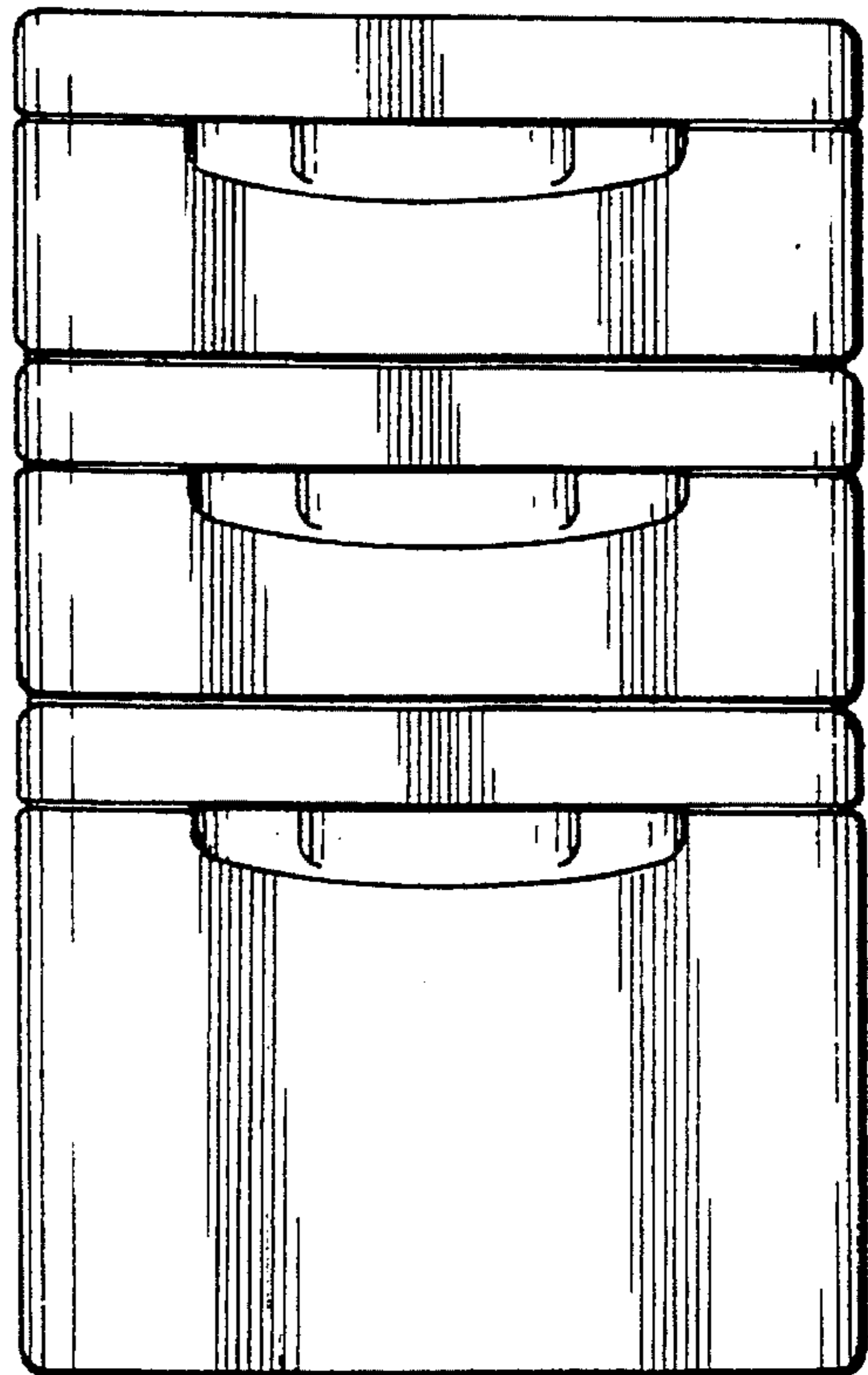


Fig-8

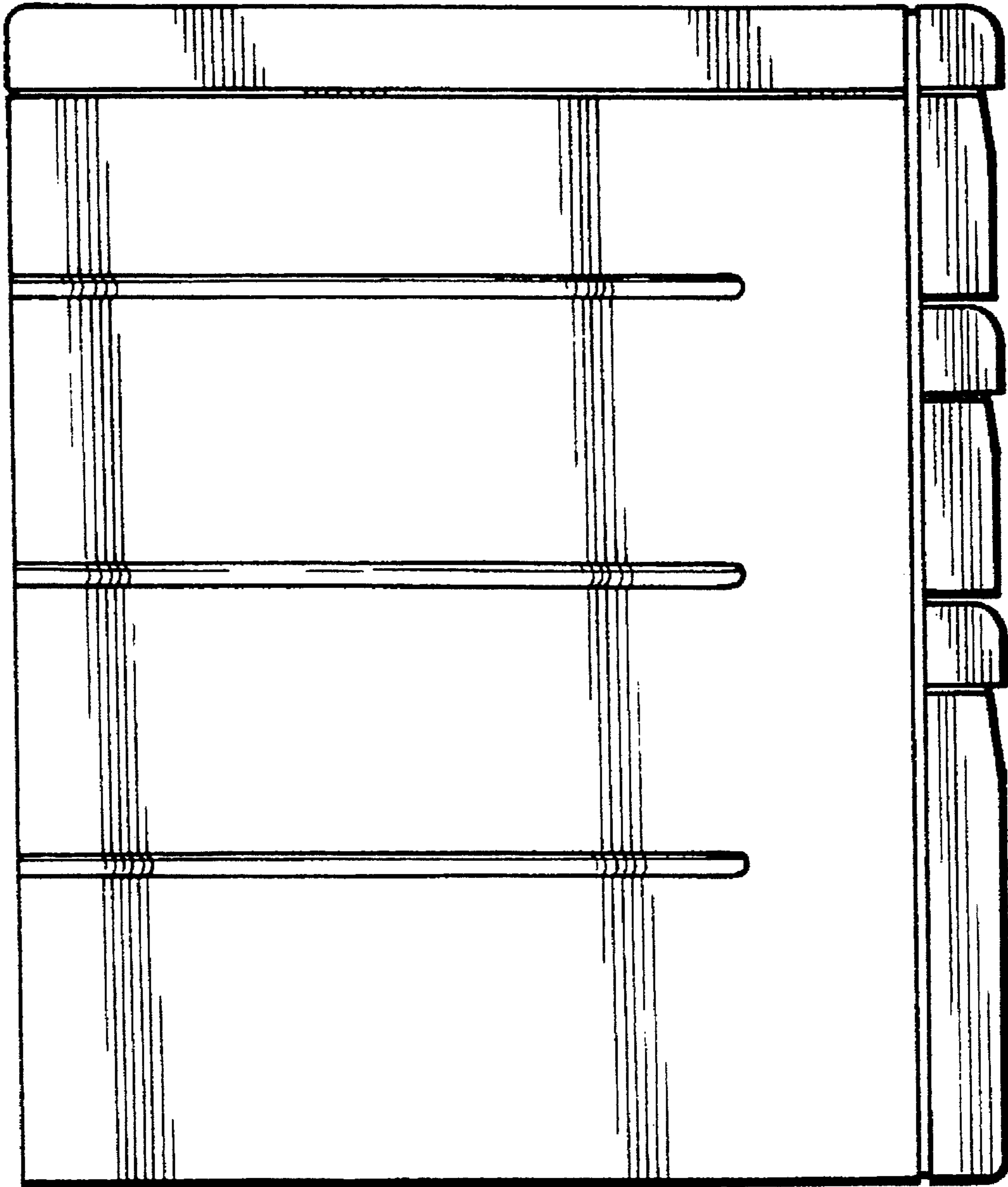


Fig-9