



US00D365222S

**United States Patent** [19]  
**Mar**

[11] **Patent Number: Des. 365,222**  
[45] **Date of Patent: \*\*Dec. 19, 1995**

[54] **BOOK SUPPORT FOR DESK OR TABLE TOP**

[76] Inventor: **James Y. S. Mar**, 160 Lincoln Heights Road, Ottawa, Ontario K2B 8A6, Canada

[\*\*] Term: **14 Years**

[21] Appl. No.: **6,861**

[22] Filed: **Apr. 8, 1993**

[30] **Foreign Application Priority Data**

Oct. 29, 1992 [CA] Canada ..... 29-10-92-3

[52] **U.S. Cl.** ..... **D6/419**

[58] **Field of Search** ..... D6/419, 420, 410-413, D6/406, 429-431; D19/88, 90, 91; 248/441.1, 447.2, 451, 456, 465

[56] **References Cited**

**U.S. PATENT DOCUMENTS**

D. 246,407 11/1977 Holdam, Jr. .... D6/420  
1,580,344 4/1926 Stillians ..... 248/456  
4,196,674 4/1980 Van Laarhoven ..... 248/456 X  
4,618,119 10/1986 Powell ..... 248/456  
4,618,120 10/1986 Wattles ..... 248/460

**FOREIGN PATENT DOCUMENTS**

363612 5/1906 France ..... 248/456  
235018 3/1945 Switzerland ..... 248/456

*Primary Examiner*—Carmen H. Vales-Lado  
*Attorney, Agent, or Firm*—Bauer & Schaffer

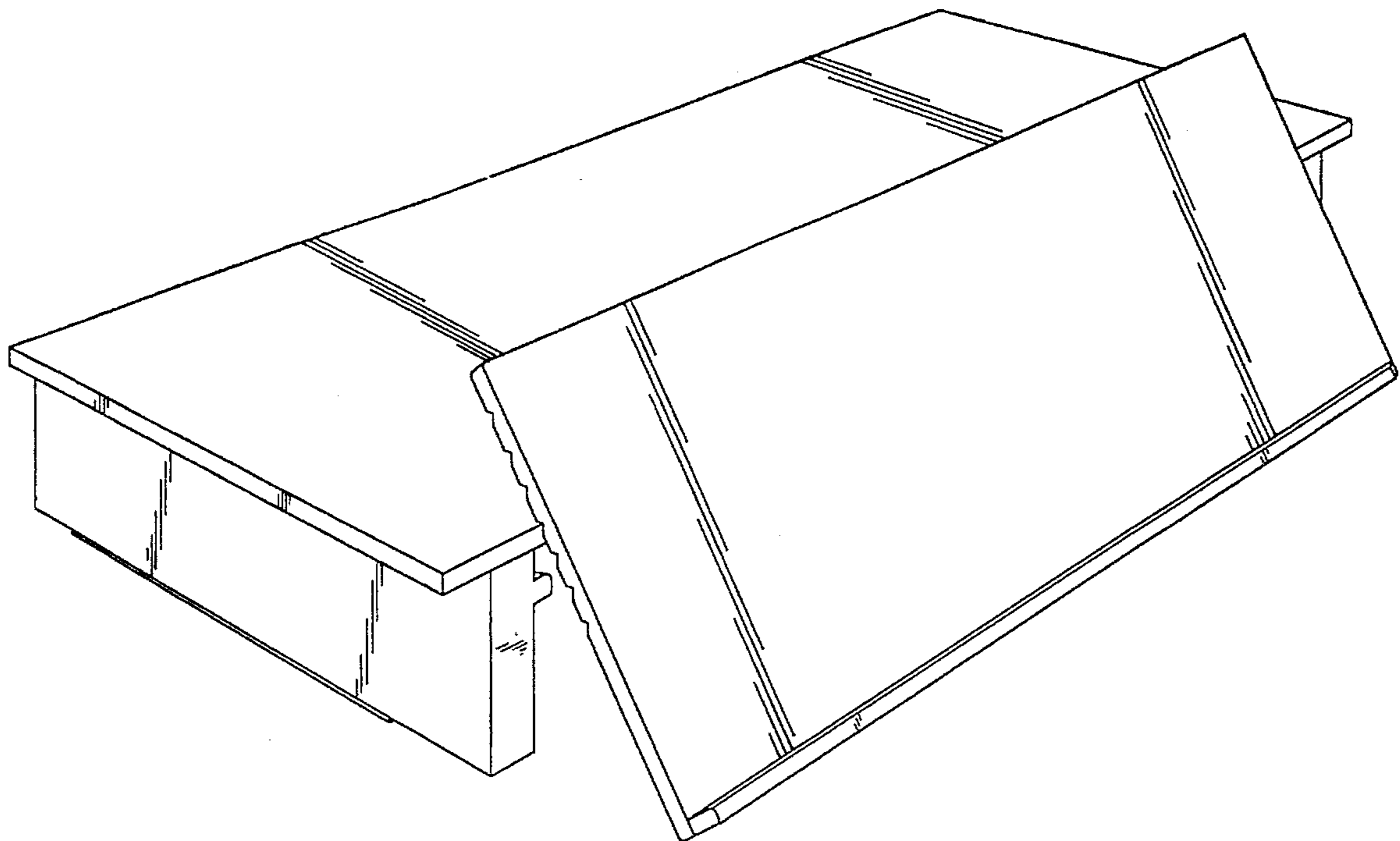
[57] **CLAIM**

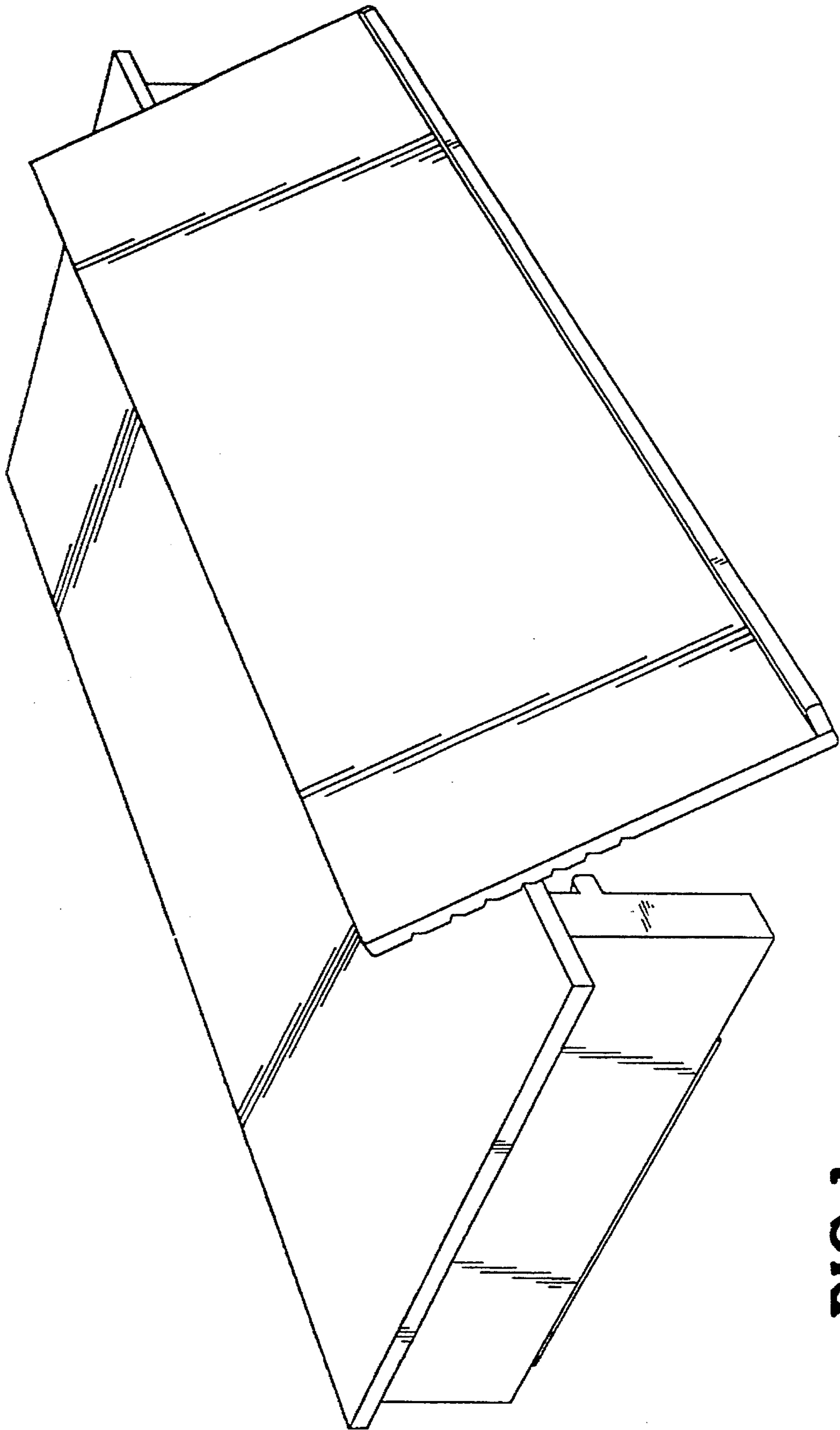
The ornamental design for a book support for desk or table top, as shown and described.

**DESCRIPTION**

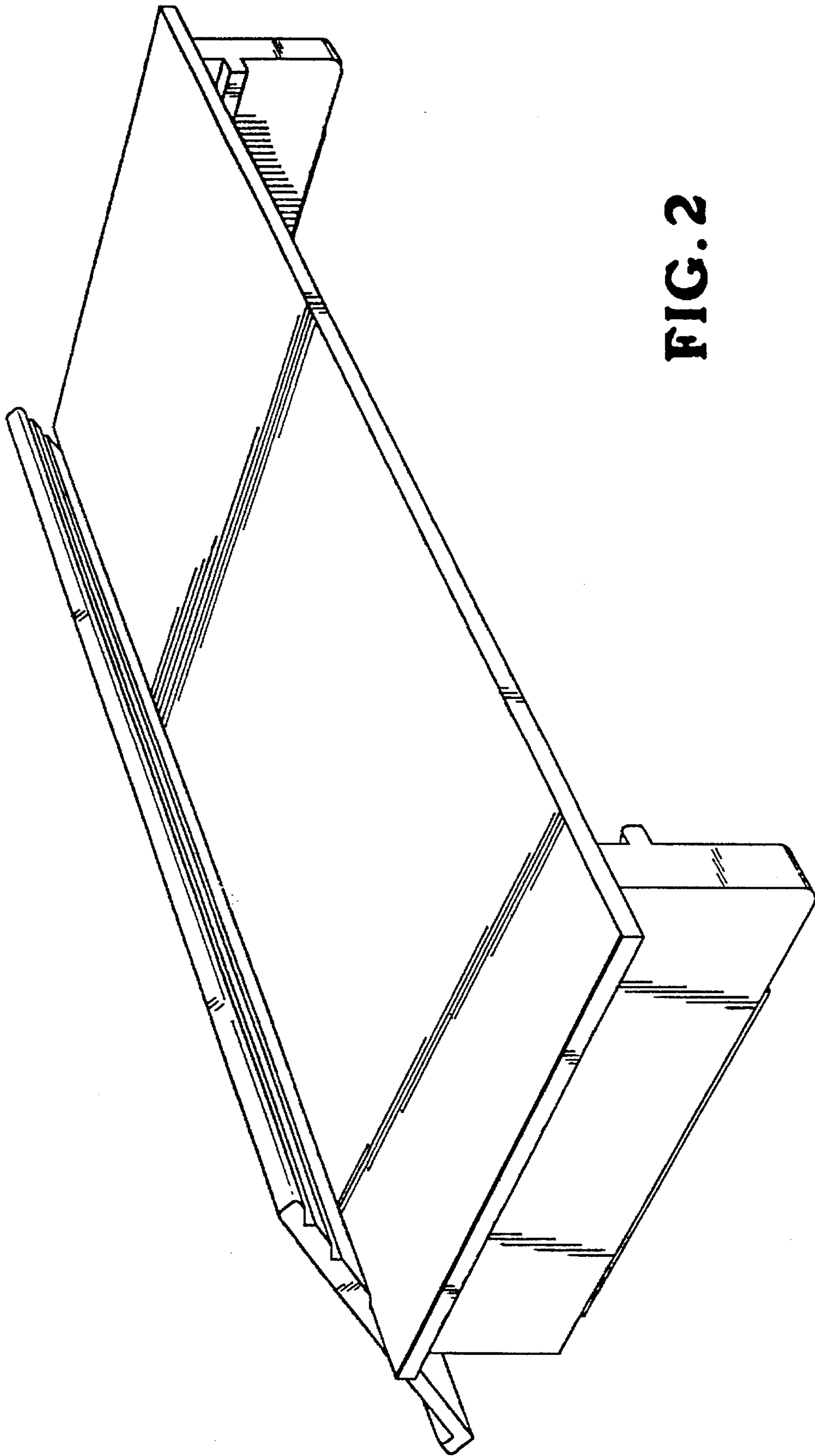
FIG. 1 is a front perspective view of the book support for a desk or table top according to the design;  
FIG. 2 is a rear perspective view;  
FIG. 3 is a rear elevational view thereof;  
FIG. 4 is a front elevational view thereof;  
FIG. 5 is a top plan view thereof;  
FIG. 6 is a left side elevational view, the opposite side being a mirror image thereof;  
FIG. 7 is a bottom plan view thereof; and,  
FIG. 8 is a perspective view of an alternate embodiment of the book support for desk or table top shown in FIG. 1.

**1 Claim, 6 Drawing Sheets**

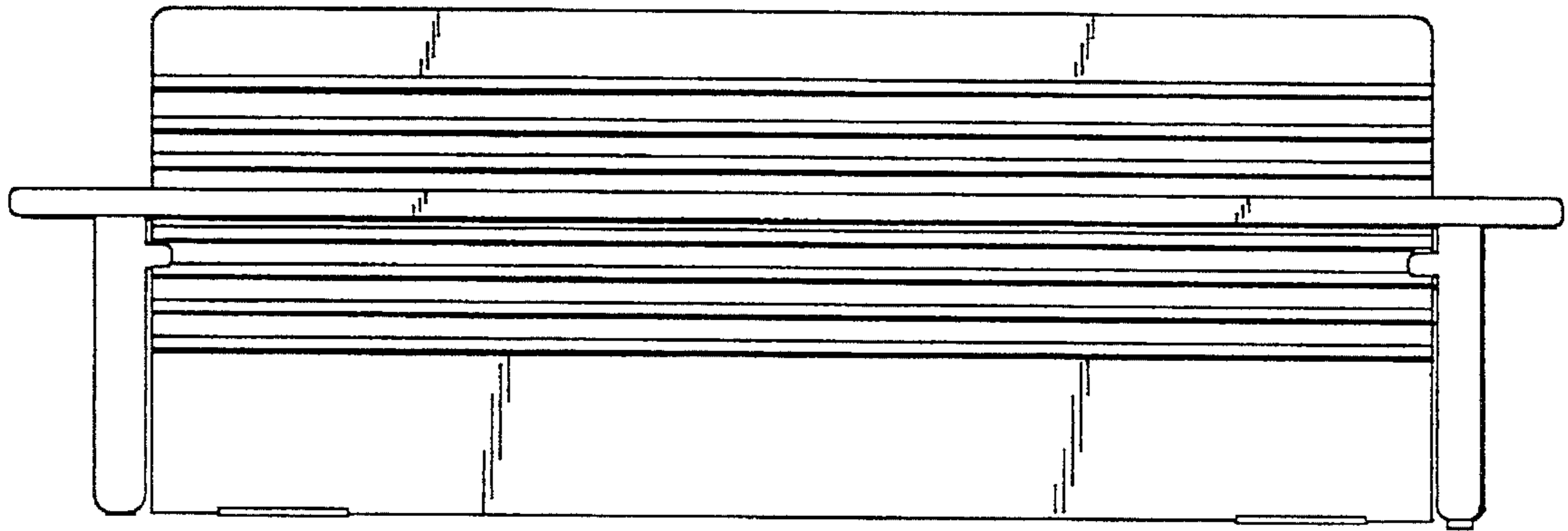




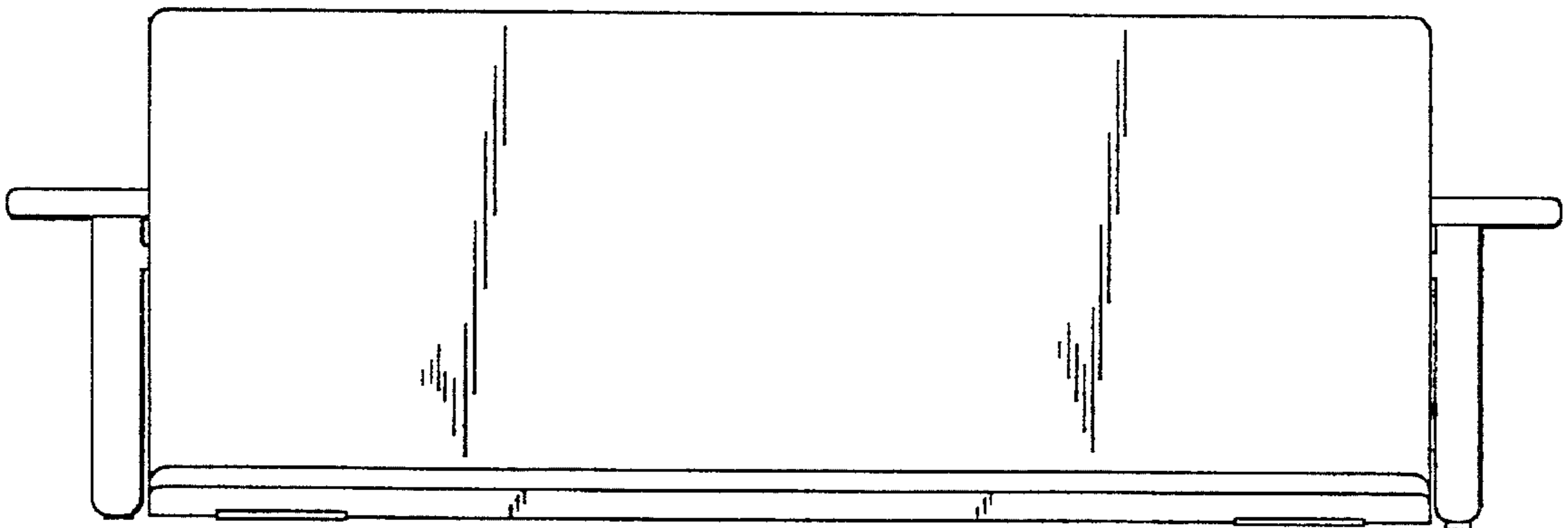
**FIG. 1**



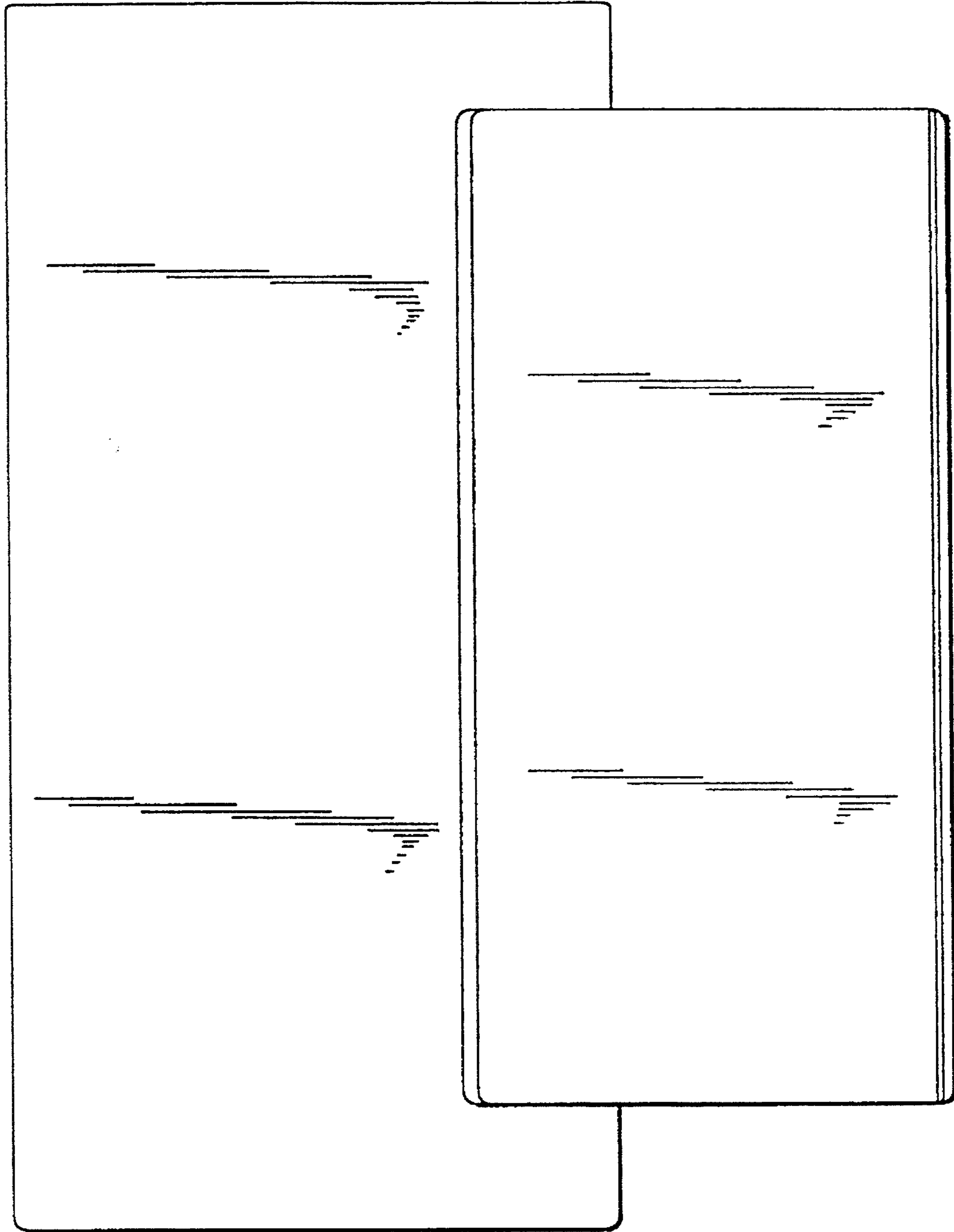
**FIG. 2**



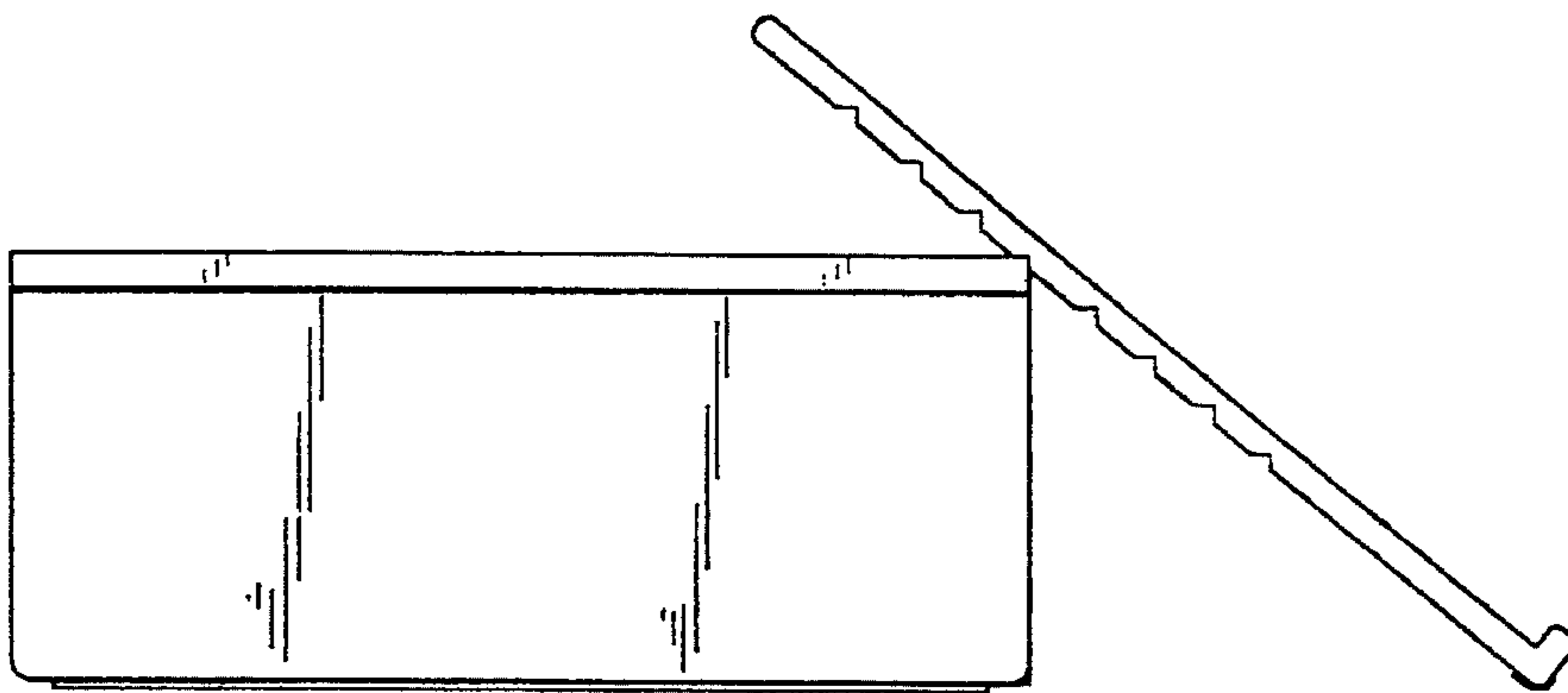
**FIG. 3**



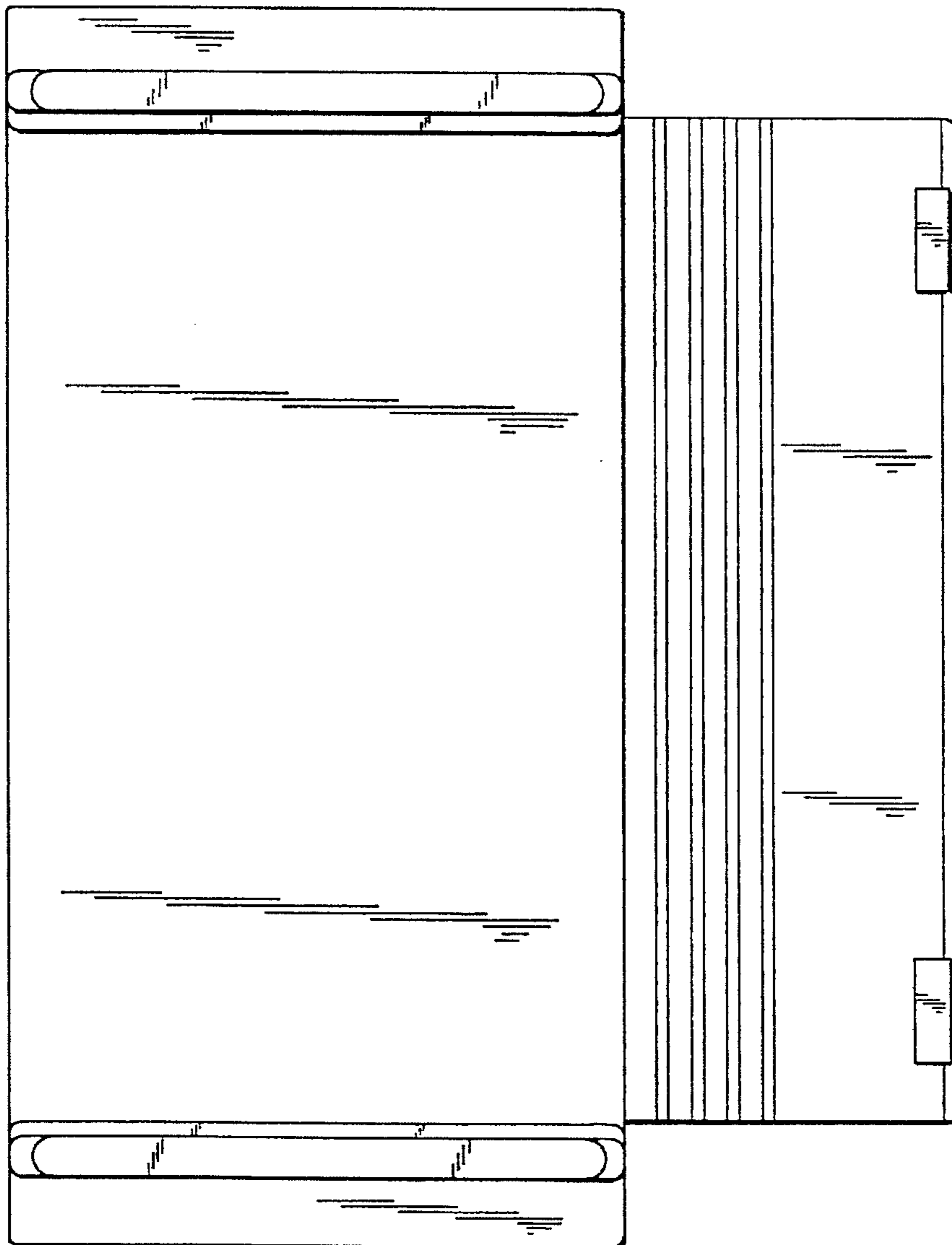
**FIG. 4**



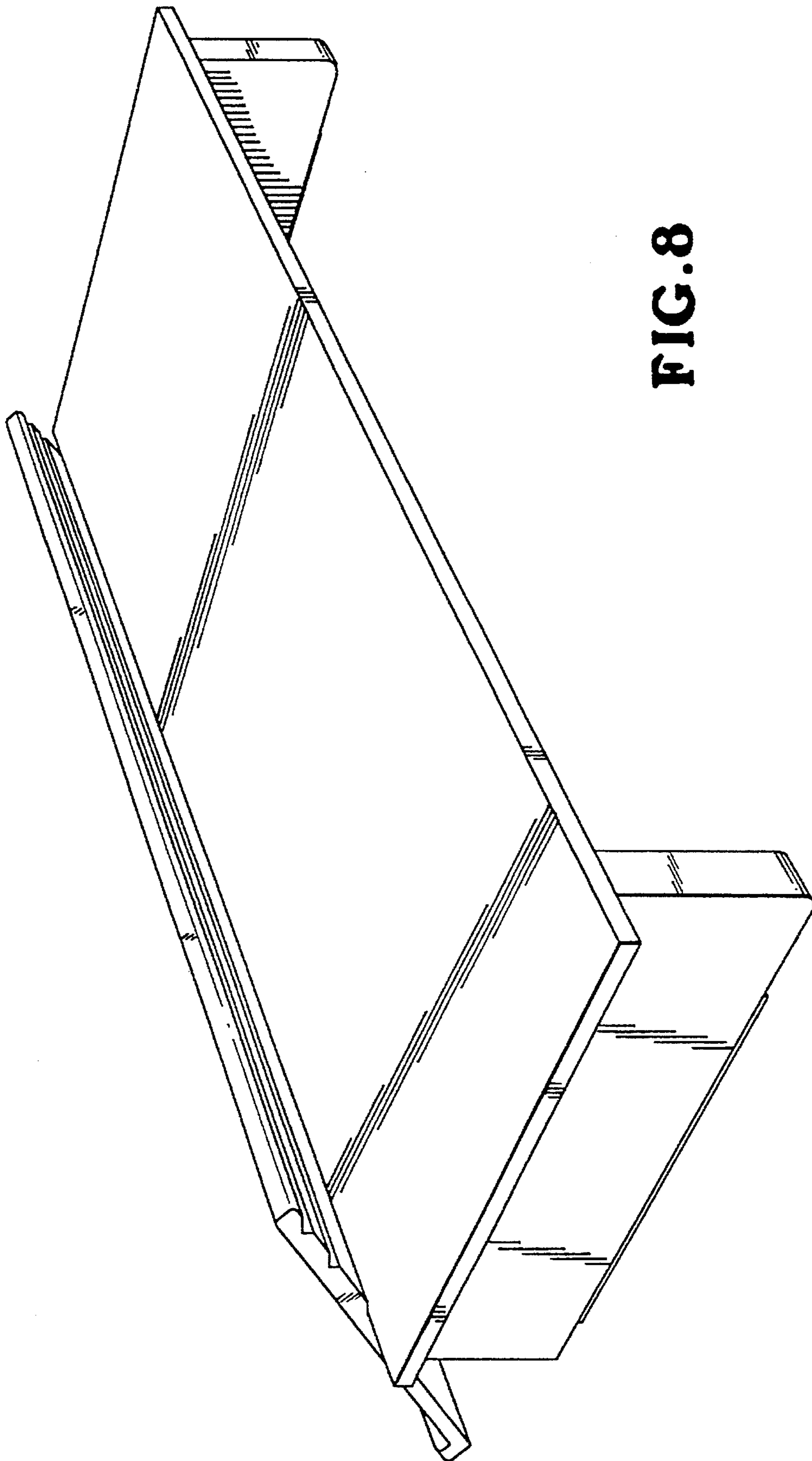
**FIG. 5**



**FIG. 6**



**FIG. 7**



**FIG. 8**