



US00D365221S

# United States Patent [19] Erickson

[11] **Patent Number: Des. 365,221**  
[45] **Date of Patent: \*\*Dec. 19, 1995**

[54] **COMPACT DISC CARTRIDGE DISPLAY DEVICE**  
[75] Inventor: **Kenneth D. Erickson**, Anoka, Minn.  
[73] Assignee: **Team Vision, Inc.**, Anoka, Minn.  
[\*\*] Term: **14 Years**  
[21] Appl. No.: **24,809**  
[22] Filed: **Jun. 21, 1994**  
[52] U.S. Cl. .... **D6/407; D6/300; D6/509**  
[58] **Field of Search** ..... **D6/300-314, 407, D6/632, 634; 40/152, 152.1, 152.2, 154-160, 661; 206/232, 449, 444, 470, 472; D9/426, 433**

4,951,826 8/1990 Tompkins ..... 211/40  
5,048,680 9/1991 Fitzpatrick ..... 206/309  
5,097,946 3/1992 Emrich ..... 206/45.11  
5,101,586 4/1992 Zennedjian ..... 40/152.1

*Primary Examiner*—Janice E. Seeger  
*Attorney, Agent, or Firm*—Nawrocki, Rooney & Sivertson

### [57] CLAIM

The ornamental design for a compact disc cartridge display device, as shown and described.

### DESCRIPTION

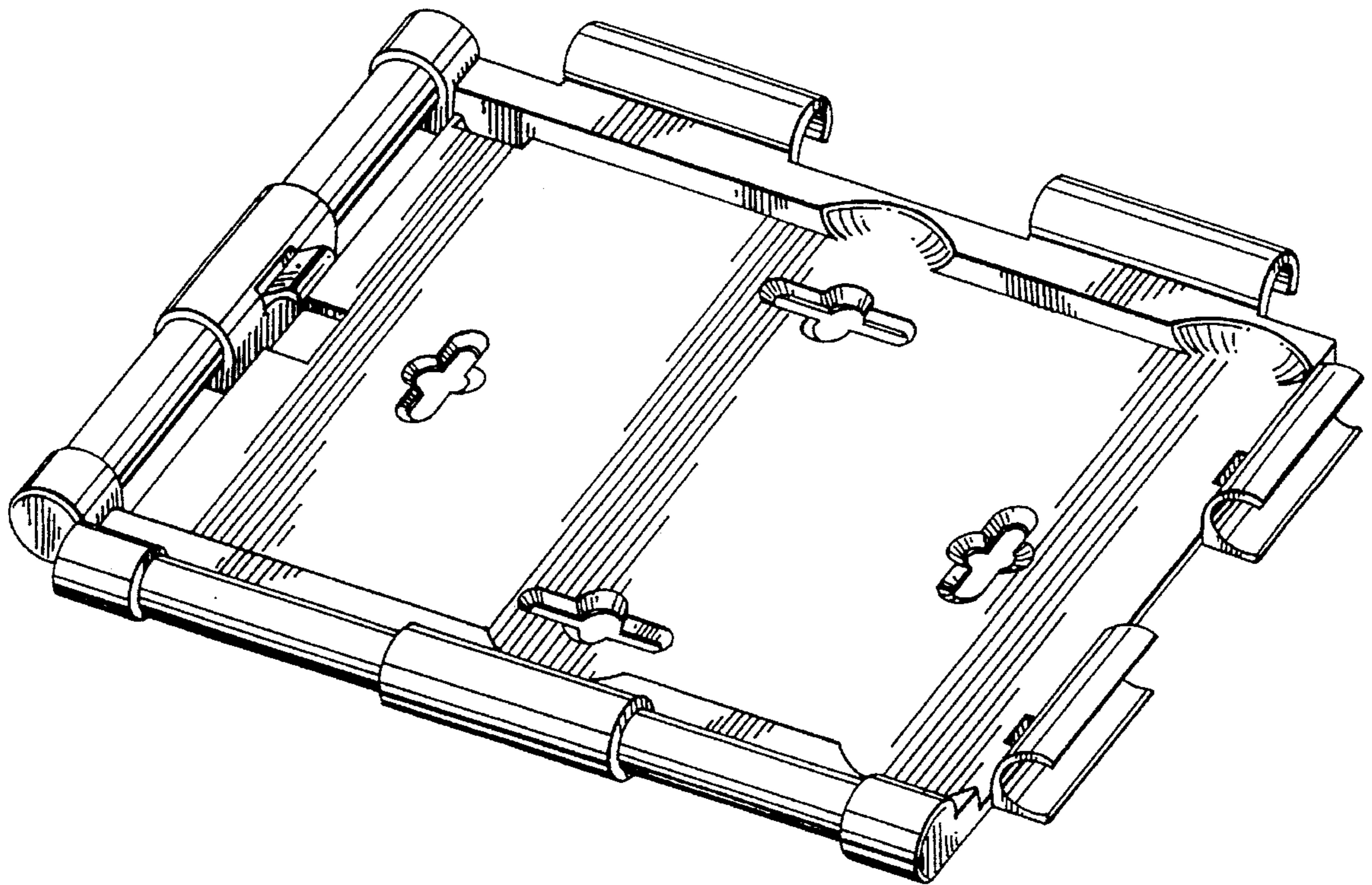
FIG. 1 is a top perspective view of a compact disc cartridge display device showing my new design;  
FIG. 2 is a top plan view thereof;  
FIG. 3 is a bottom plan view thereof;  
FIG. 4 is a rear elevational view thereof as shown in FIG. 1;  
FIG. 5 is a front elevational view thereof as shown in FIG. 1;  
FIG. 6 is a left side elevational view thereof as shown in FIG. 1; and,  
FIG. 7 is a right side elevational view thereof as shown in FIG. 1.

### [56] References Cited

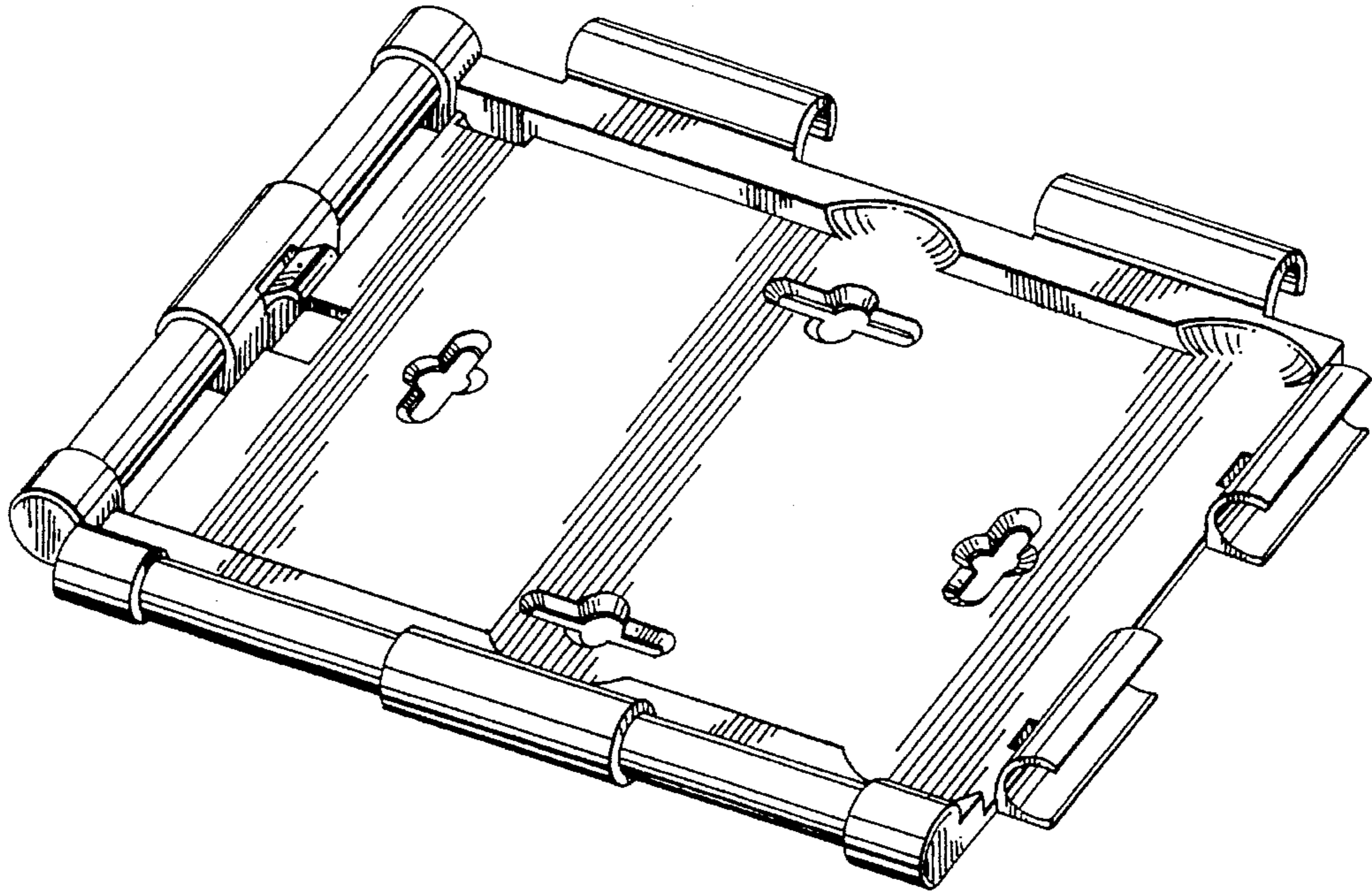
#### U.S. PATENT DOCUMENTS

D. 239,467	4/1976	den Ouden	.....	D61/1 N
D. 353,746	12/1994	Wenkman	.....	D6/407
2,057,942	10/1936	Fay	.....	D21/108
2,586,176	2/1952	Olsen	.....	40/152
2,958,971	11/1960	Plettner	.....	40/152
3,339,302	9/1967	Mallory	.....	40/152

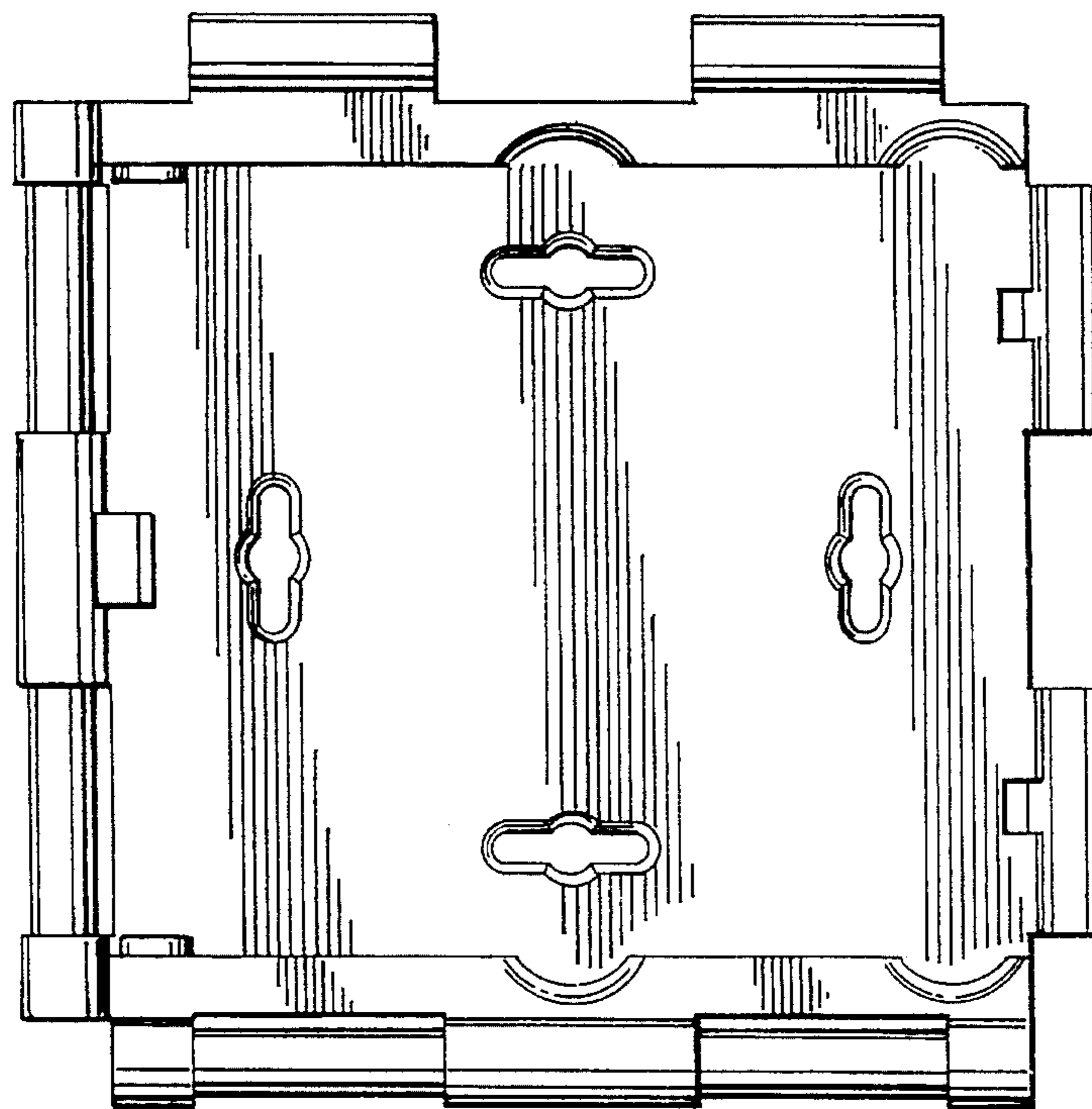
**1 Claim, 2 Drawing Sheets**



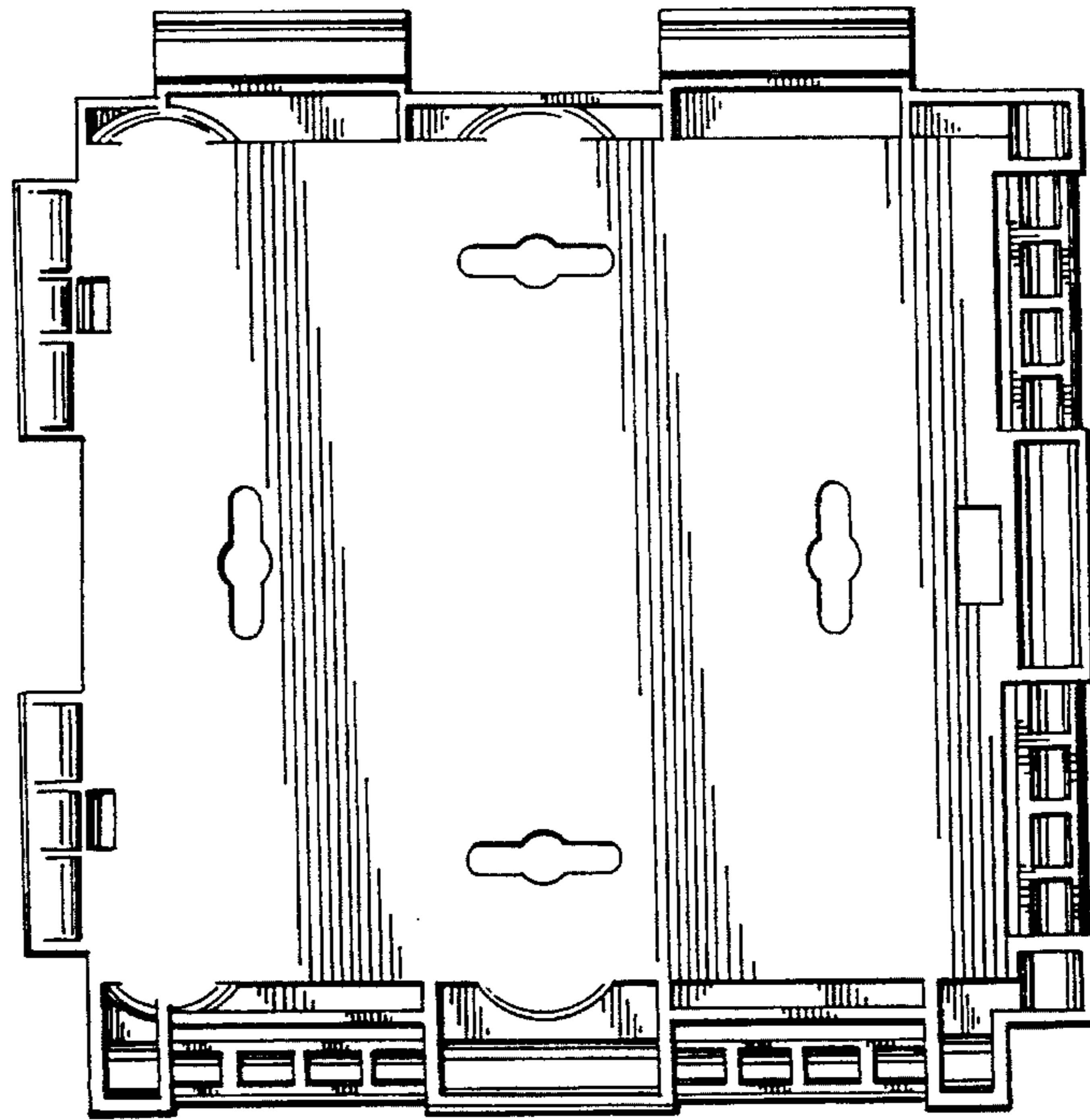
**Fig. 1**



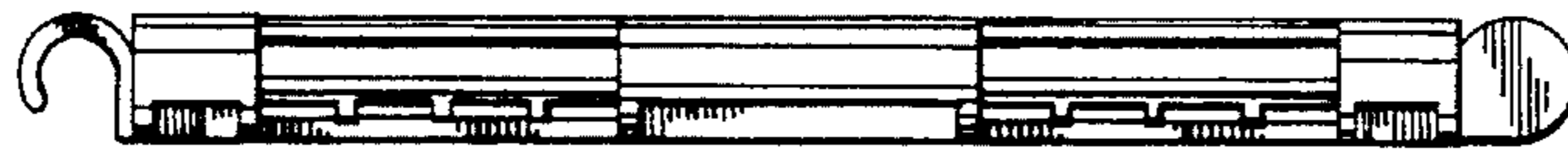
**Fig. 2**



**Fig. 3**



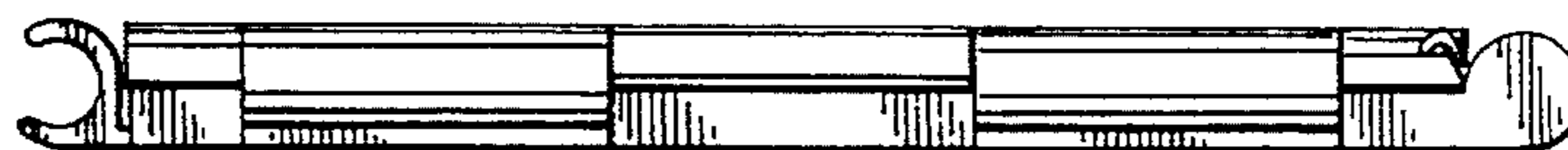
**Fig. 4**



**Fig. 5**



**Fig. 6**



**Fig. 7**

