



US00D365220S

# United States Patent [19] Cheung

[11] **Patent Number: Des. 365,220**  
[45] **Date of Patent: \*\*Dec. 19, 1995**

[54] **CASSETTE HOLDER**

[75] Inventor: **Koon P. Cheung**, Kowloon, Hong Kong

[73] Assignee: **Nodic-Matsumoto Progress (H.K.) Co., Ltd.**, Hong Kong

[\*\*] Term: **14 Years**

[21] Appl. No.: **6,375**

[22] Filed: **Mar. 25, 1993**

[30] **Foreign Application Priority Data**

Nov. 20, 1992 [GB] United Kingdom ..... 2027248

[52] **U.S. Cl.** ..... **D6/407**

[58] **Field of Search** ..... D6/396, 405, 406, D6/407, 465, 466, 467, 468, 626-635; D14/121; D19/52, 75, 83, 86, 90, 91; 211/40, 41, 42; 206/387

[56] **References Cited**

**U.S. PATENT DOCUMENTS**

D. 257,306 10/1980 Aboussovan ..... 211/40 X  
D. 267,616 1/1983 Thompson ..... D6/407  
3,603,478 9/1971 Connan ..... 206/387 X

3,677,396 7/1972 Staar ..... 206/387  
3,969,007 7/1976 Lowry ..... 206/387 X  
4,054,344 10/1977 Fujimoto et al. .... 206/387 X  
4,111,502 9/1978 Kessler ..... 206/387 X  
4,121,877 10/1978 Brown ..... 211/40 X  
4,270,817 6/1981 McRae ..... 206/387 X

*Primary Examiner*—Alan P. Douglas  
*Assistant Examiner*—S. Snapp  
*Attorney, Agent, or Firm*—Browning, Bushman, Anderson & Brookhart

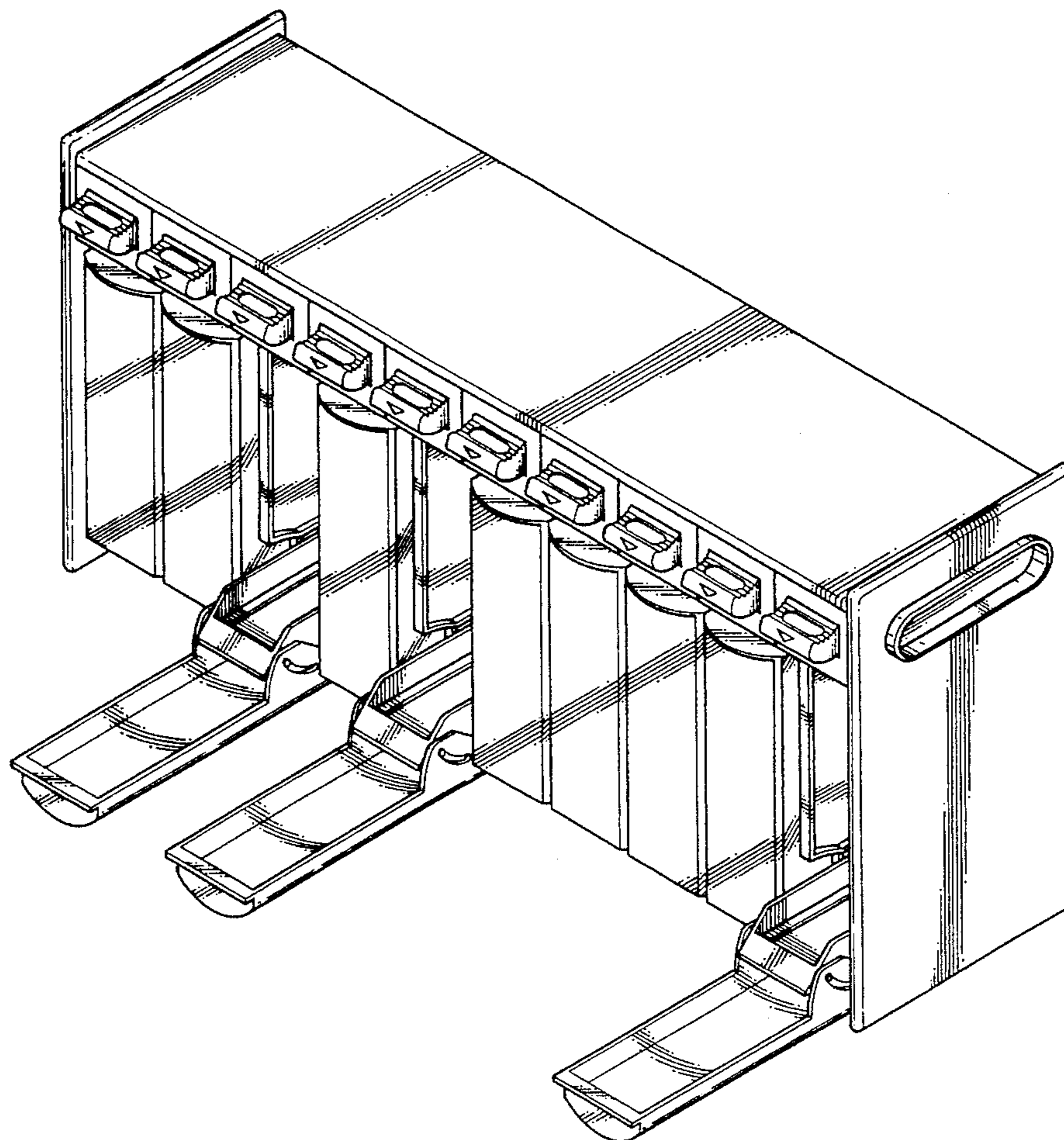
[57] **CLAIM**

The ornamental design for a cassette holder, as shown and described.

**DESCRIPTION**

FIG. 1 is a front perspective view of a cassette holder showing my new design;  
FIG. 2 is a front elevational view thereof;  
FIG. 3 is a top plan view thereof;  
FIG. 4 is a bottom plan view thereof;  
FIG. 5 is a rear elevational view thereof;  
FIG. 6 is a right side elevational view thereof; and,  
FIG. 7 is a left side elevational view thereof.

**1 Claim, 3 Drawing Sheets**



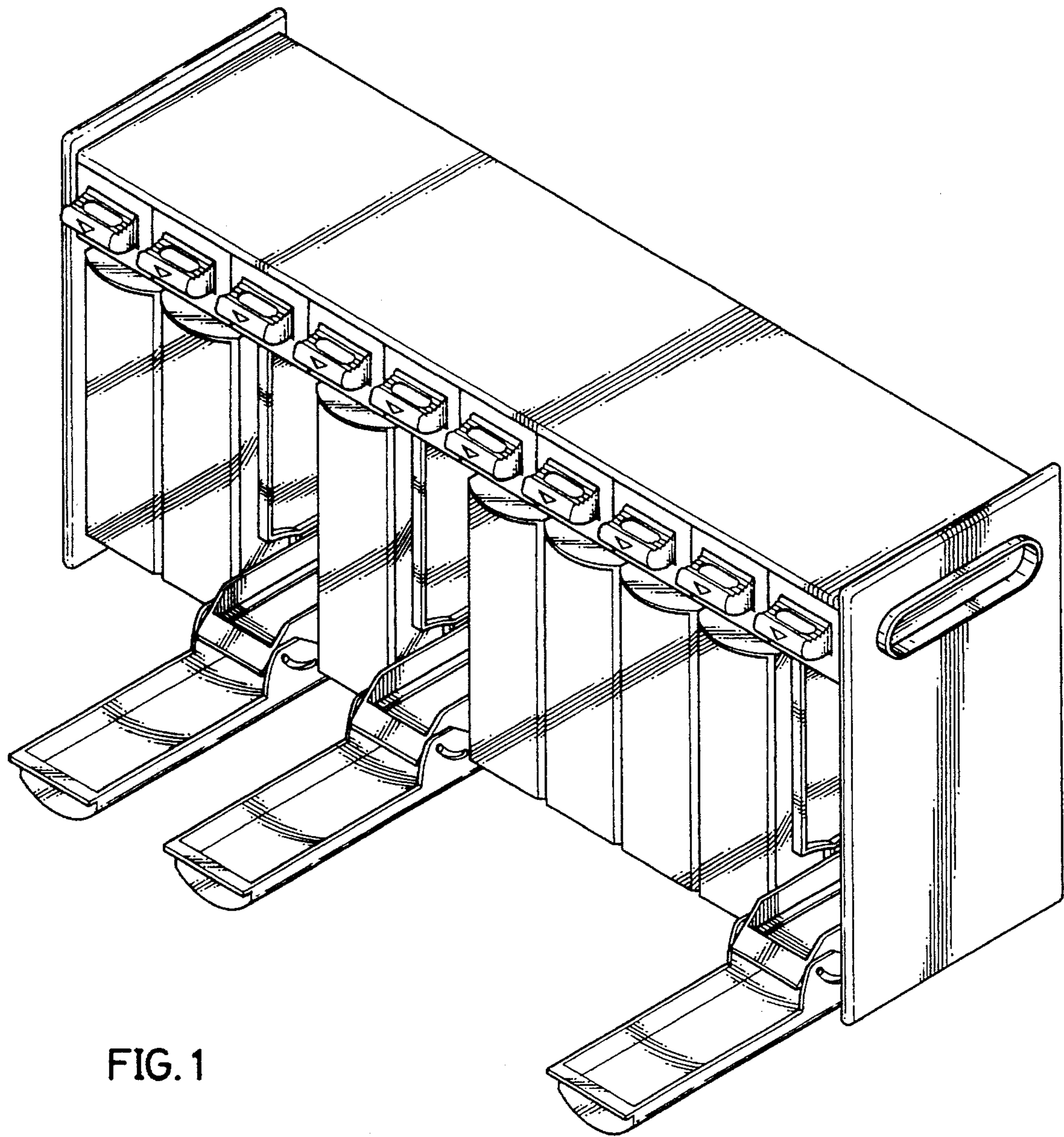


FIG. 1

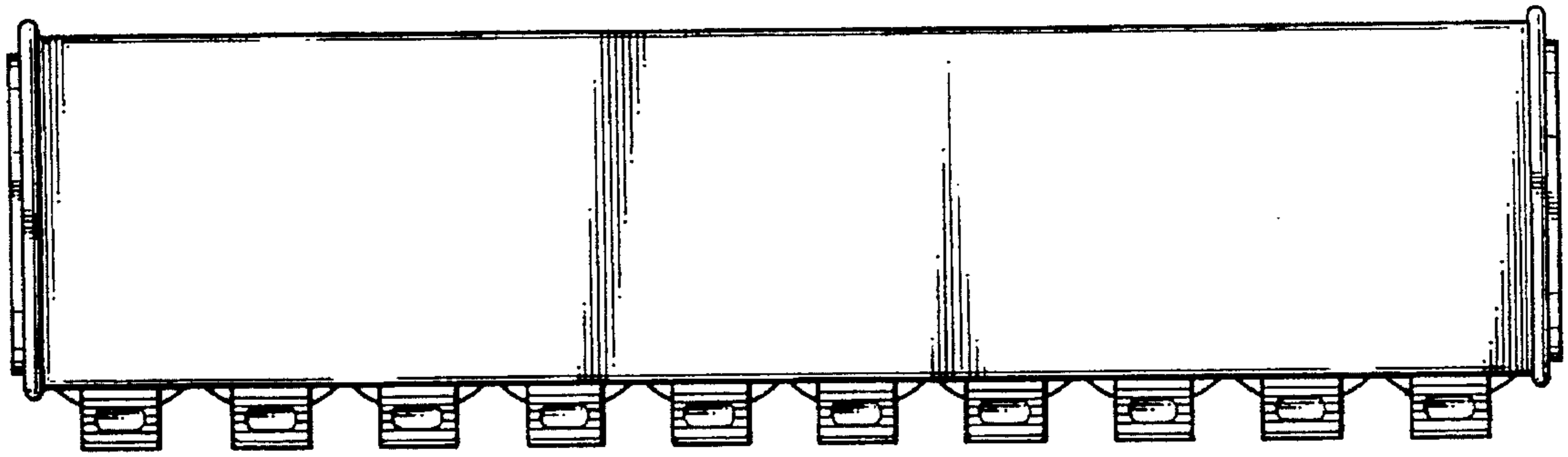


FIG. 3

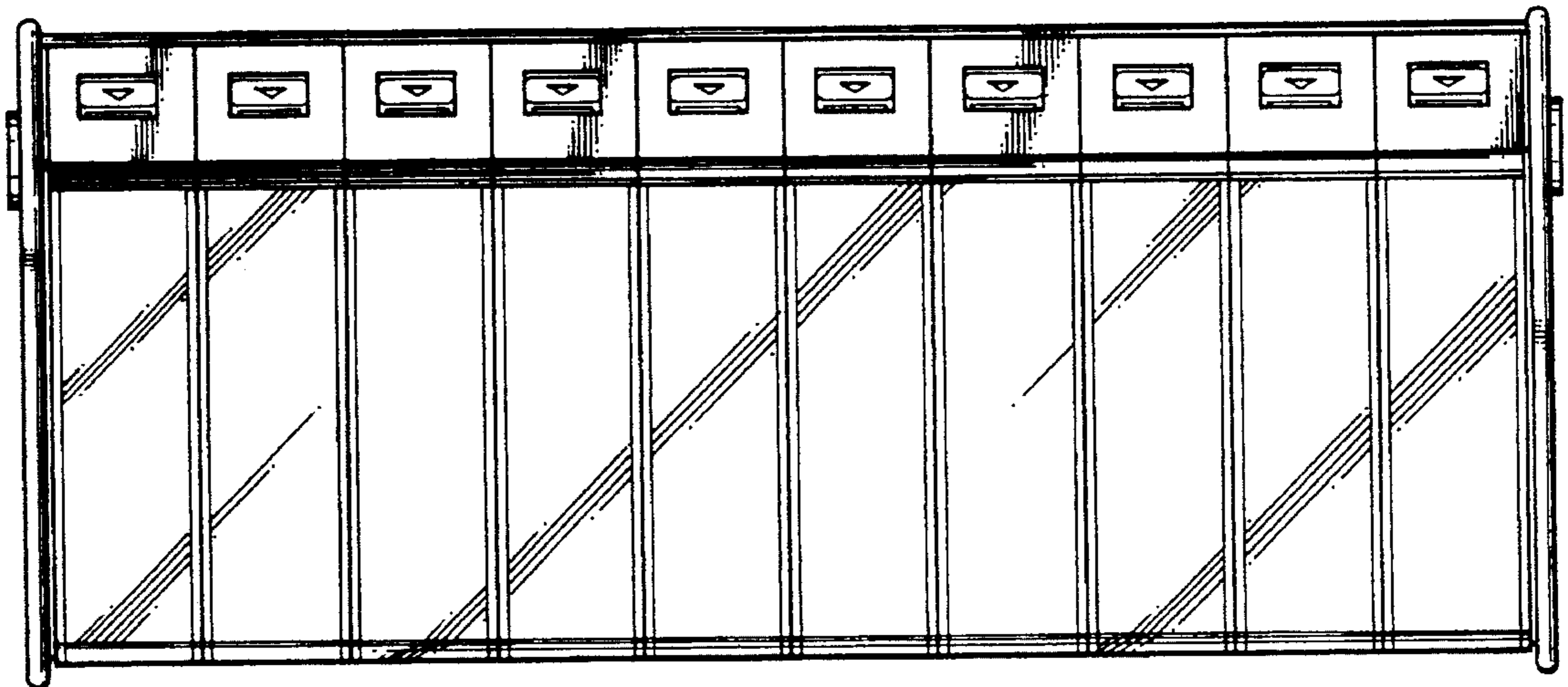


FIG. 2

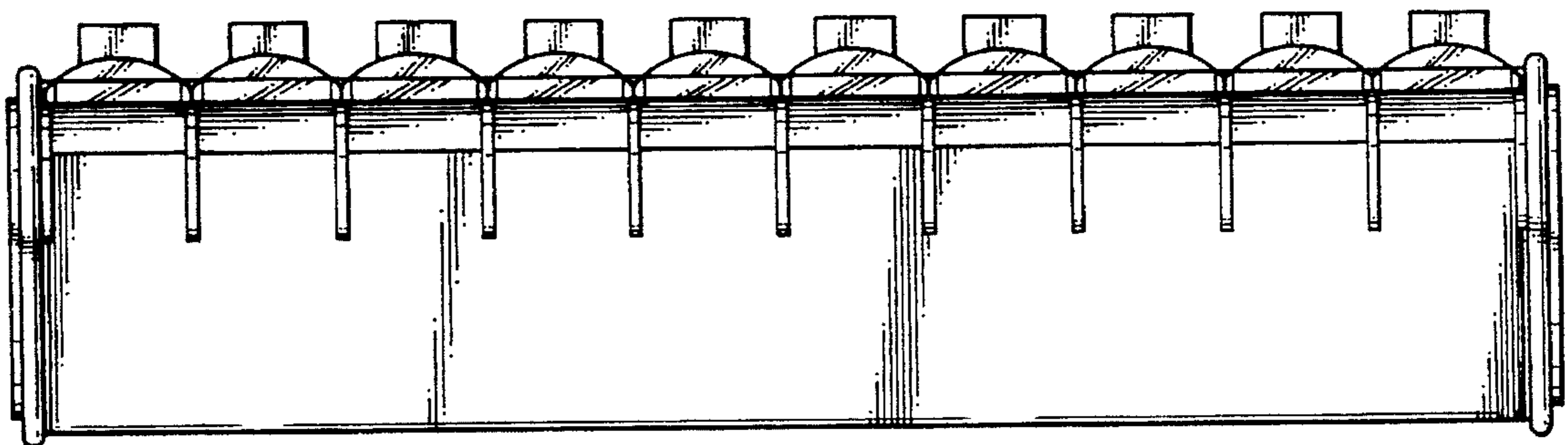


FIG. 4

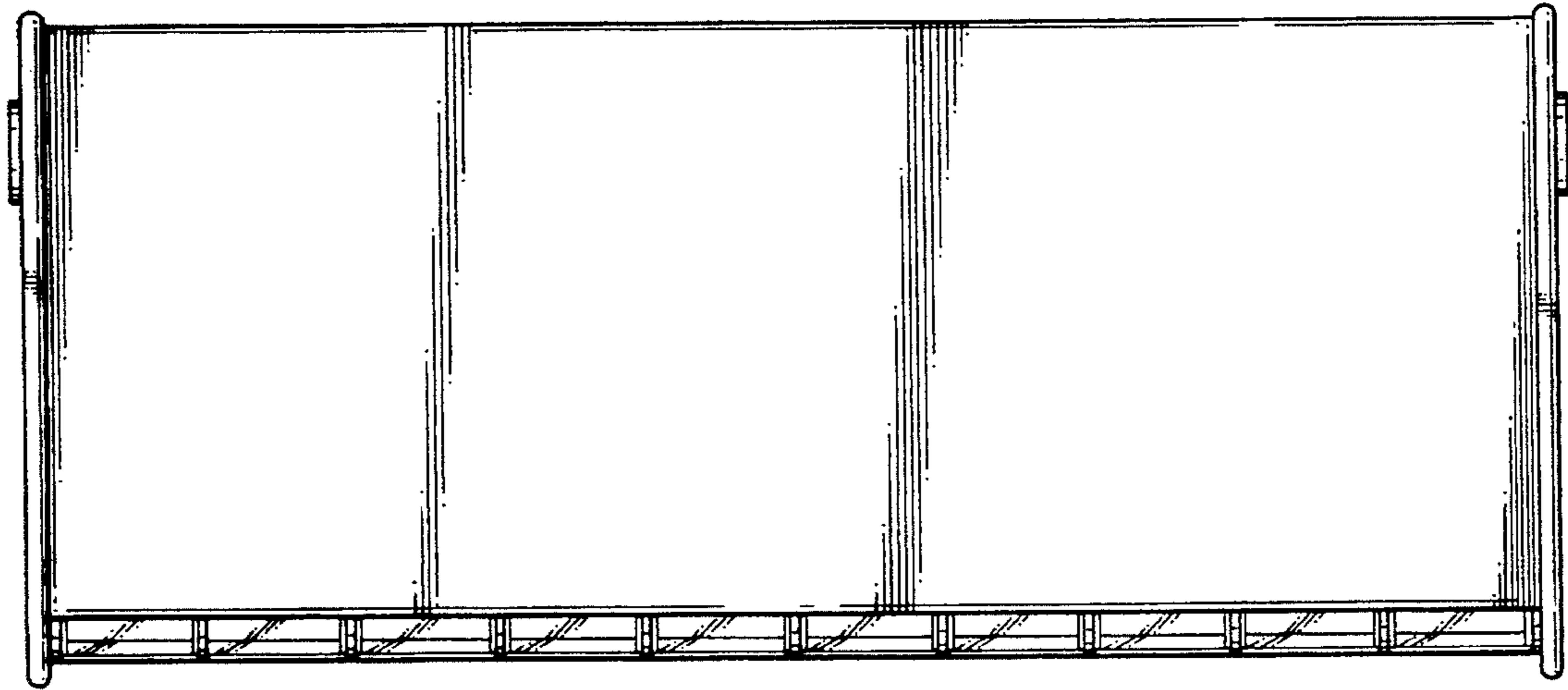


FIG. 5

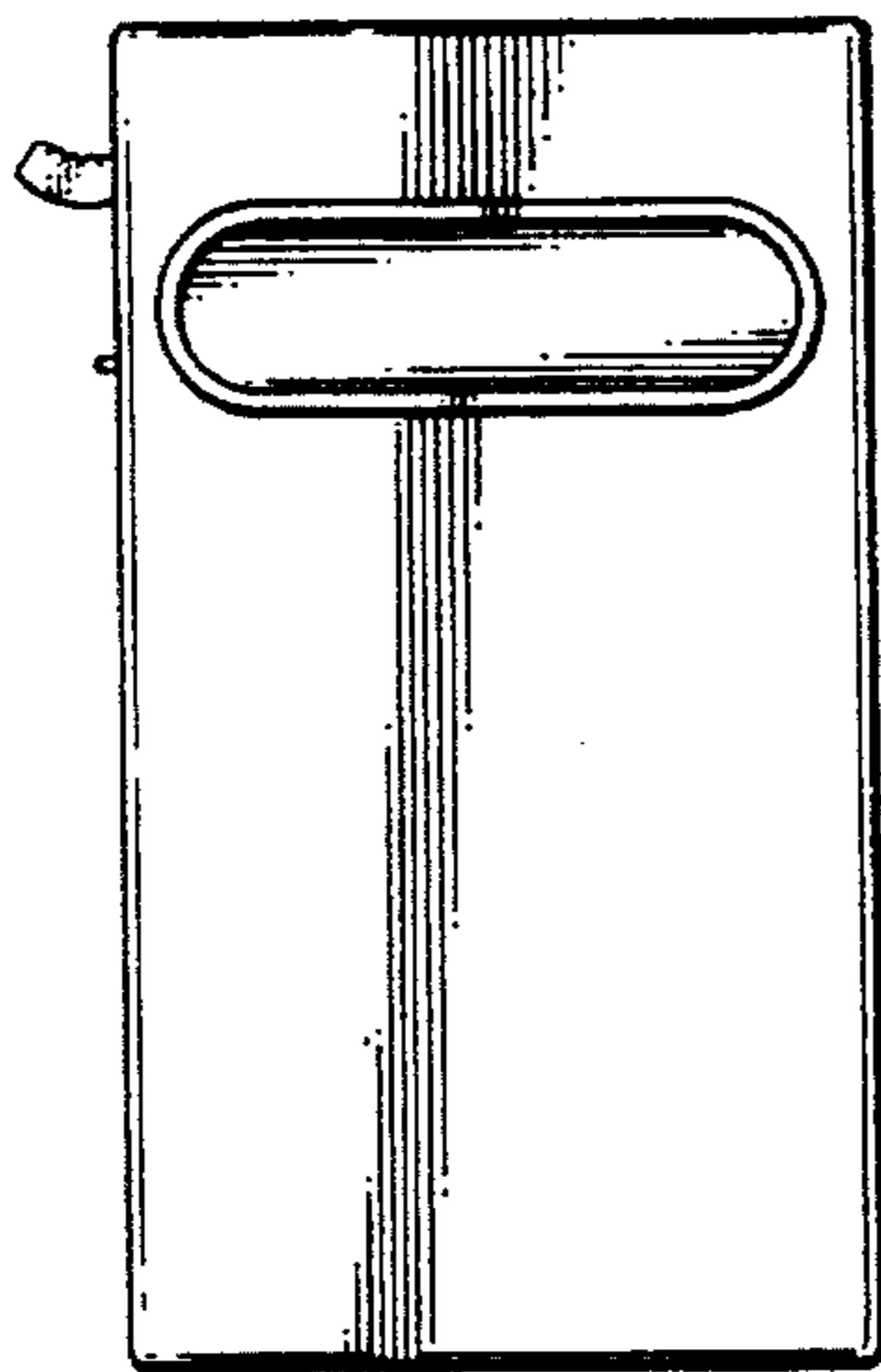


FIG. 6

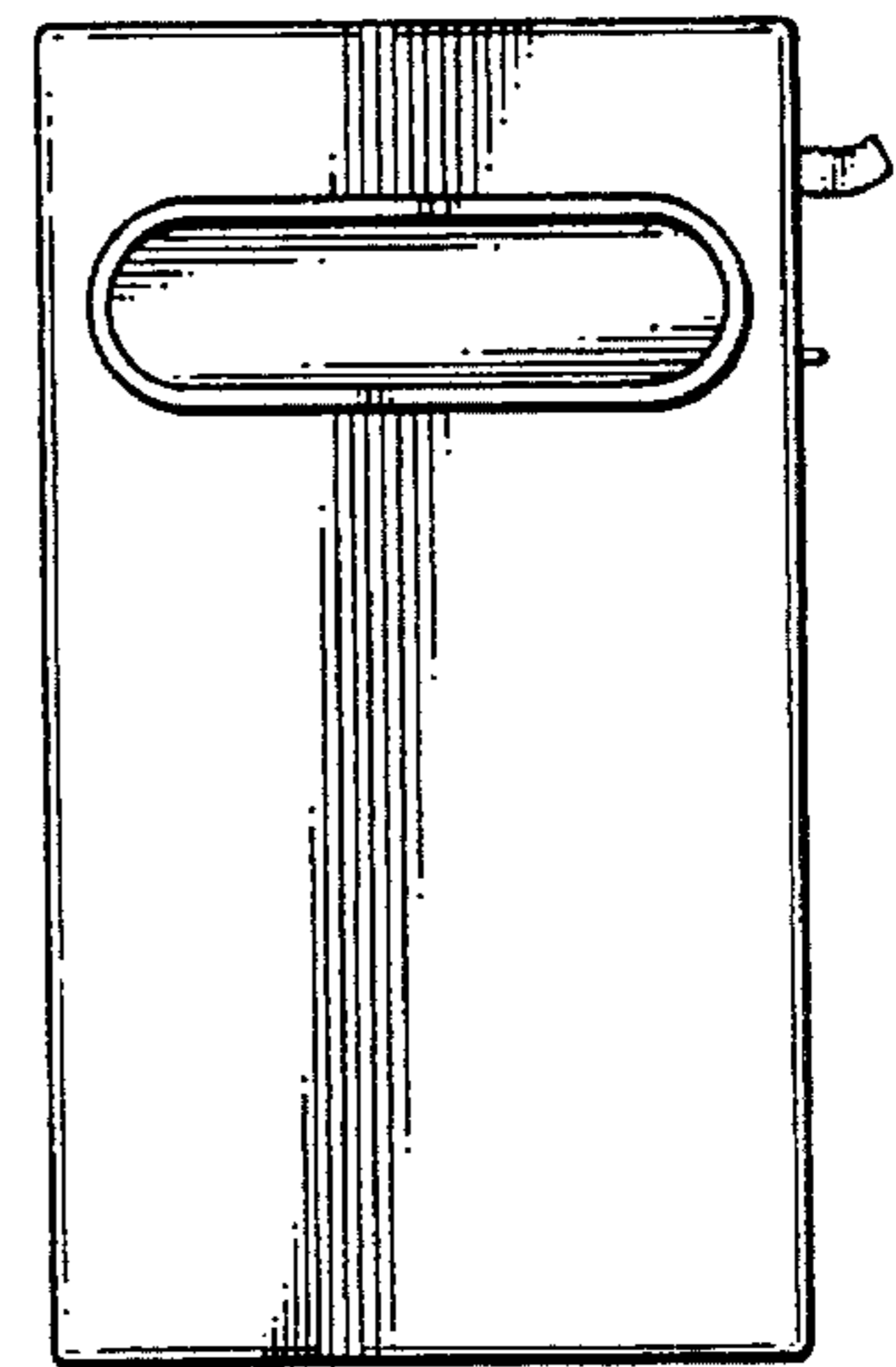


FIG. 7