



US00D365218S

United States Patent [19]

[11] Patent Number: **Des. 365,218**

Russell

[45] Date of Patent: ****Dec. 19, 1995**

[54] **BED**

OTHER PUBLICATIONS

[75] Inventor: **Steven D. Russell**, High Point, N.C.

Karper Furn., ©1925, p. 123, Day Bed at top.
Calif-Asia Hermosa Rattan, p. 6, #3610-7900 at top.
Bloomingdales, p. 7, center insert Sofa at top right.

[73] Assignee: **Lineage Home Furnishings, Inc.**, High Point, N.C.

Primary Examiner—Janice E. Seeger
Attorney, Agent, or Firm—Edgar A. Zarins; Malcolm L. Sutherland

[**] Term: **14 Years**

[21] Appl. No.: **13,973**

[57] CLAIM

[22] Filed: **Oct. 8, 1993**

The ornamental design for a bed, as shown and described.

[52] U.S. Cl. **D6/393**

[58] Field of Search D6/382, 385, 386,
D6/388, 390-395, 504-508, 369; 5/53.1,
279.1, 280

DESCRIPTION

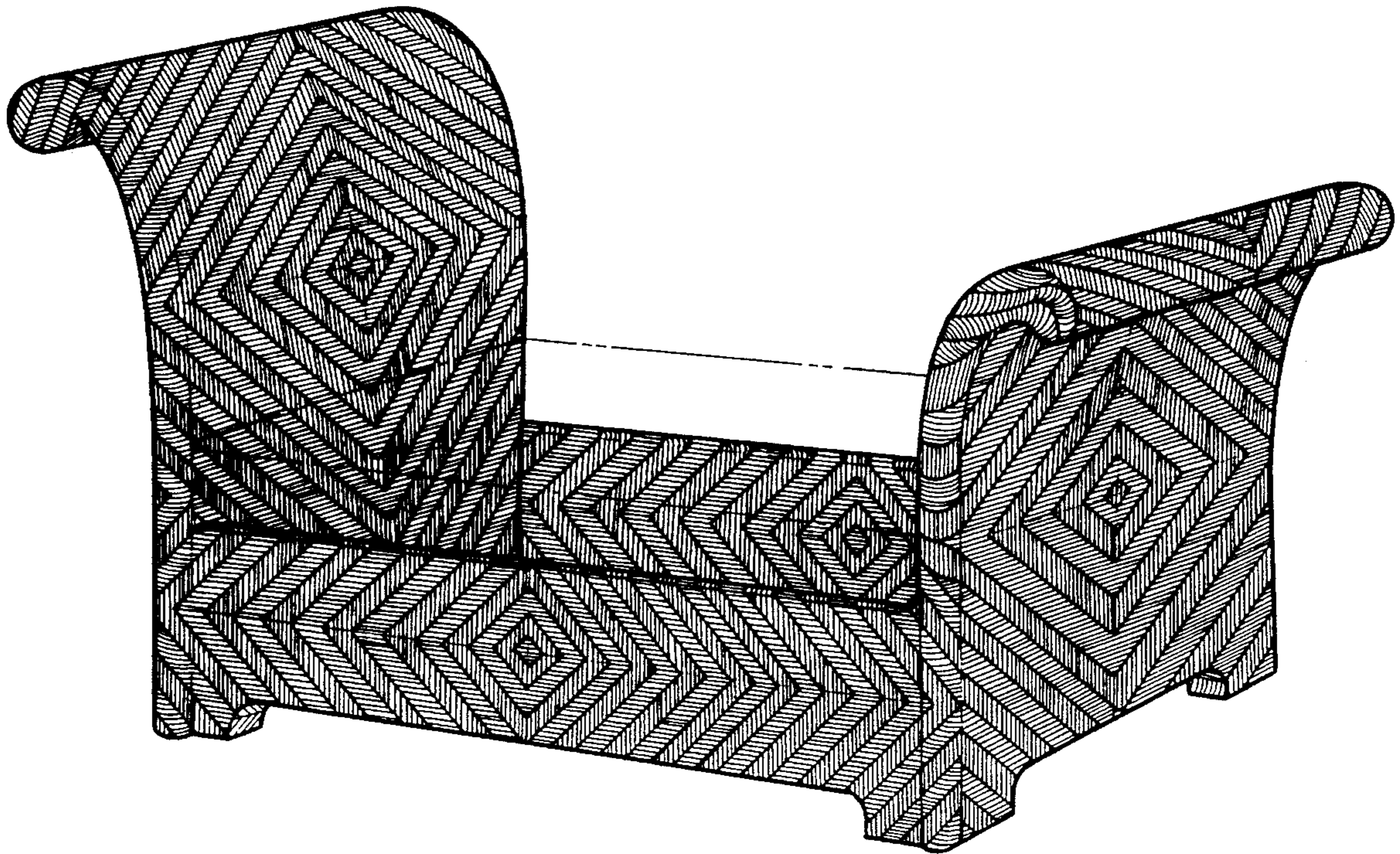
[56] References Cited

U.S. PATENT DOCUMENTS

- D. 114,896 5/1939 Hobson D6/393
- D. 331,502 12/1992 White D6/393
- D. 393,735 2/1994 Ferguson D6/388 X

FIG. 1 is a perspective view of a bed showing my new design;
FIG. 2 is a side elevational view thereof, the opposite side being a mirror image of the side shown;
FIG. 3 is an end view thereof; and,
FIG. 4 is a rear perspective view thereof.

1 Claim, 3 Drawing Sheets



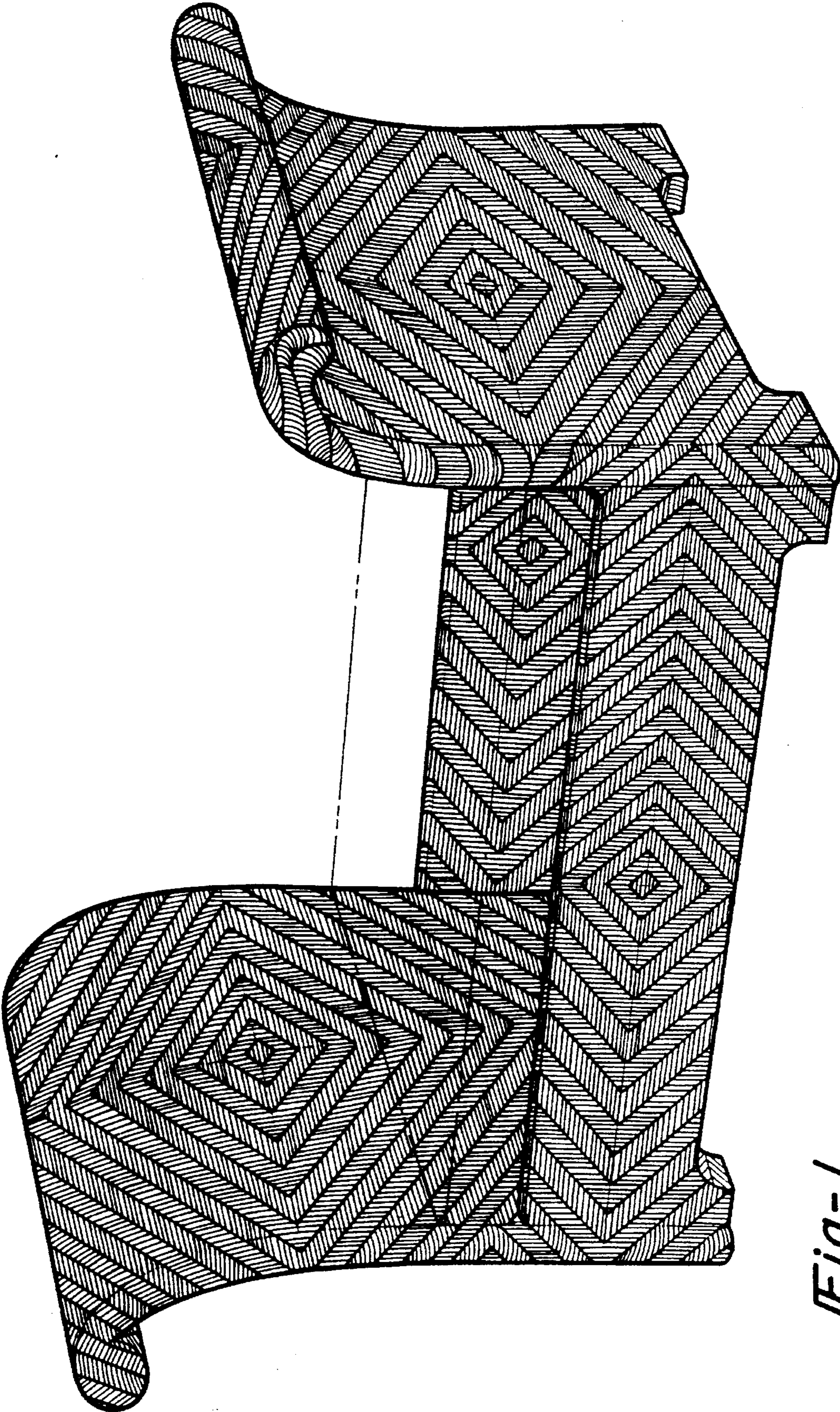


Fig-1

Fig-3

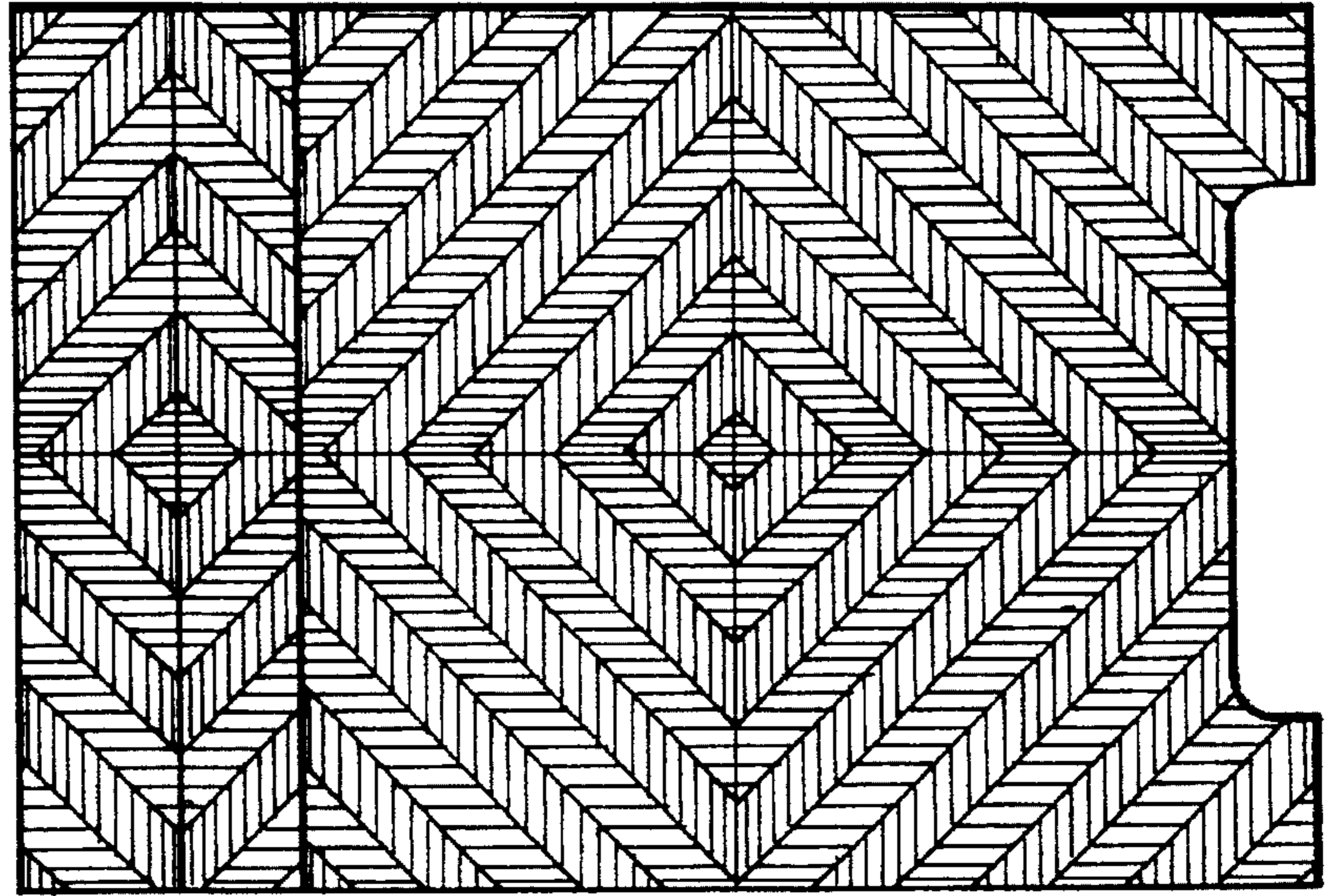
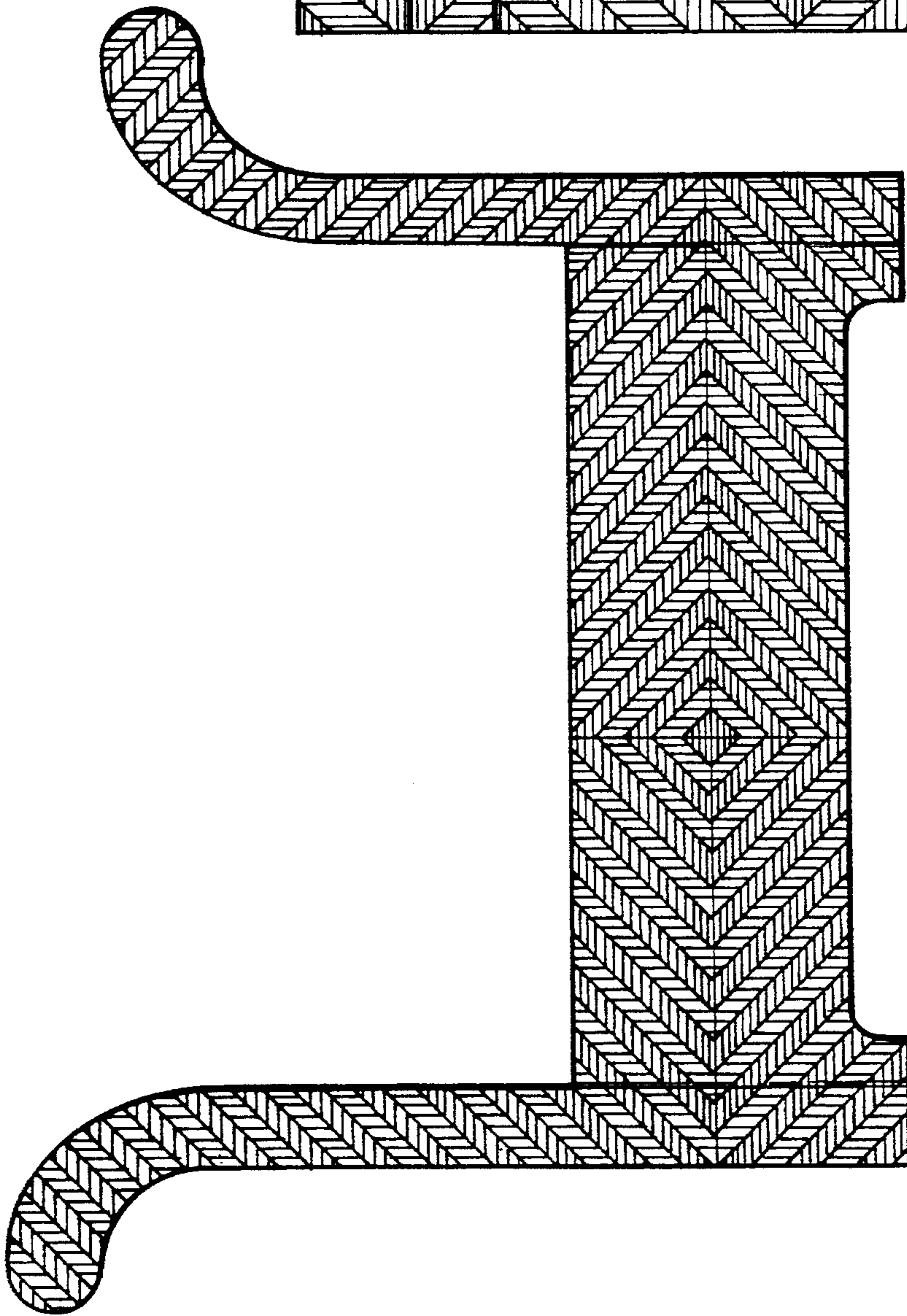


Fig-2



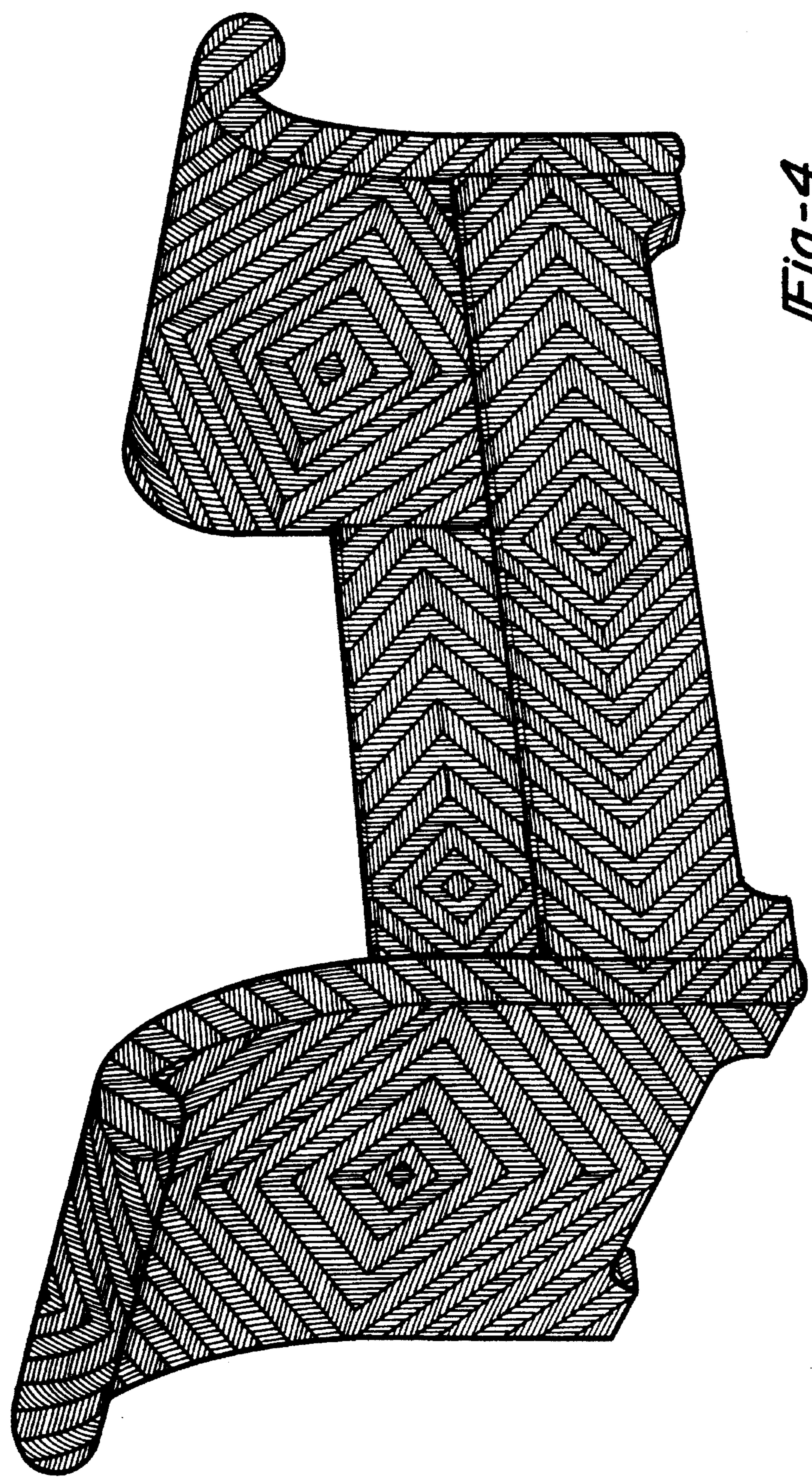


Fig-4