



US00D365216S

# United States Patent [19] Smith

[11] Patent Number: Des. 365,216

[45] Date of Patent: \*\*Dec. 19, 1995

[54] LOCKING SEAT

[76] Inventor: **Bart W. Smith**, 4315 Cypress Grove,  
Houston, Tex. 77088

[\*\*] Term: 14 Years

[21] Appl. No.: 31,573

[22] Filed: Nov. 23, 1994

[52] U.S. Cl. .... D6/356

[58] Field of Search ..... D6/334, 356, 367,  
D6/500, 501, 502; 297/354.1, 362.12, 362.14

[56] **References Cited**

U.S. PATENT DOCUMENTS

D. 218,028	7/1970	Lohr .....	D6/356
D. 273,920	5/1984	Tixier .....	D6/356
5,362,132	11/1994	Griswold et al. ....	297/362.14 X

*Primary Examiner*—Alan P. Douglas  
*Assistant Examiner*—Gary D. Watson  
*Attorney, Agent, or Firm*—Harpman & Harpman

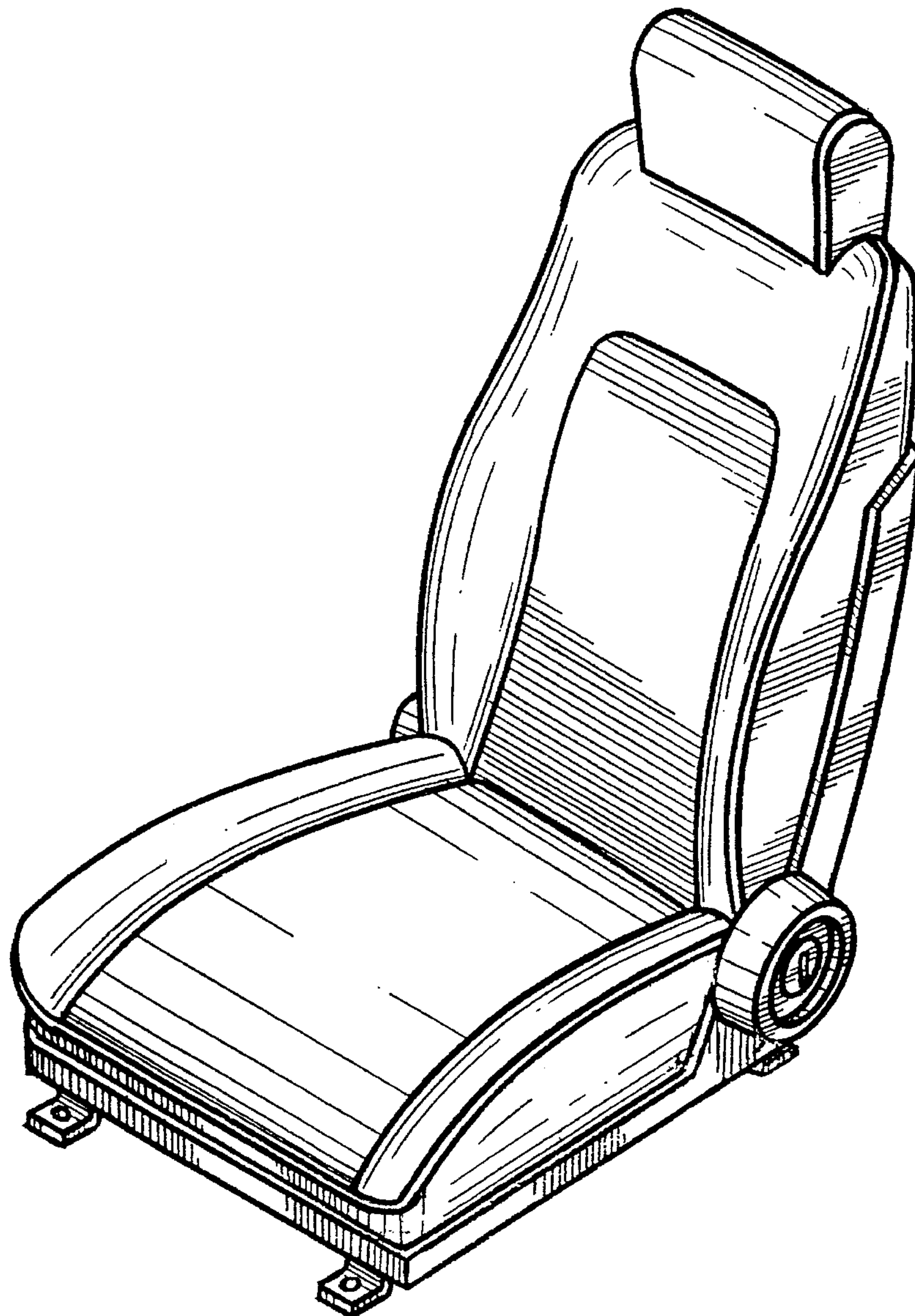
[57] **CLAIM**

The ornamental design for a locking seat, as shown and described.

**DESCRIPTION**

FIG. 1 is a front, top and side perspective view of the locking seat embodying the design of the present invention; FIG. 2 is a front elevational view thereof; FIG. 3 is a rear elevational view thereof; FIG. 4 is a side elevational view thereof, the side opposite being a mirror image of the side shown in FIG. 4; FIG. 5 is a top plan view thereof; and, FIG. 6 is a bottom plan view thereof.

1 Claim, 4 Drawing Sheets



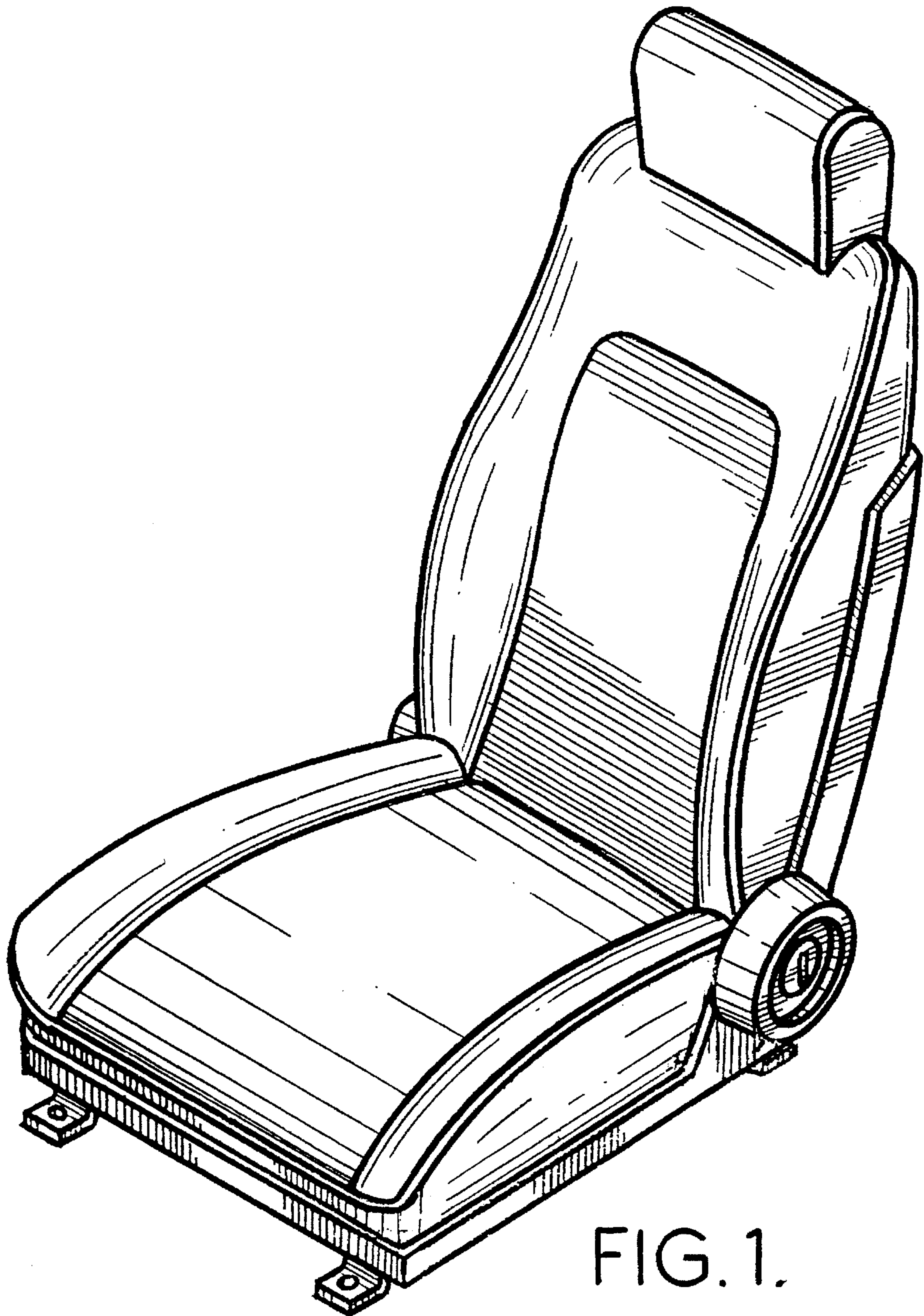


FIG. 1.

FIG. 2.

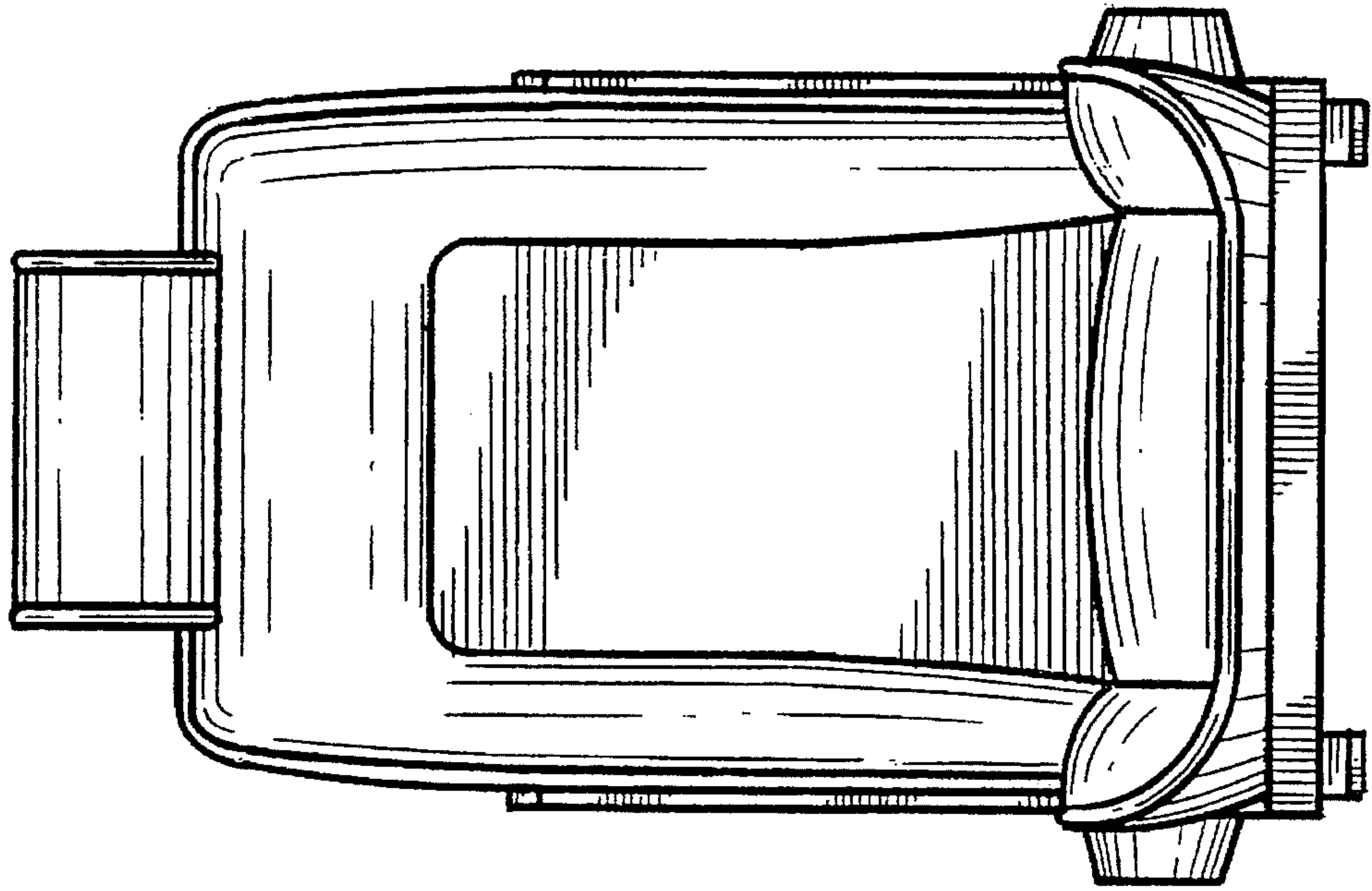


FIG. 4.

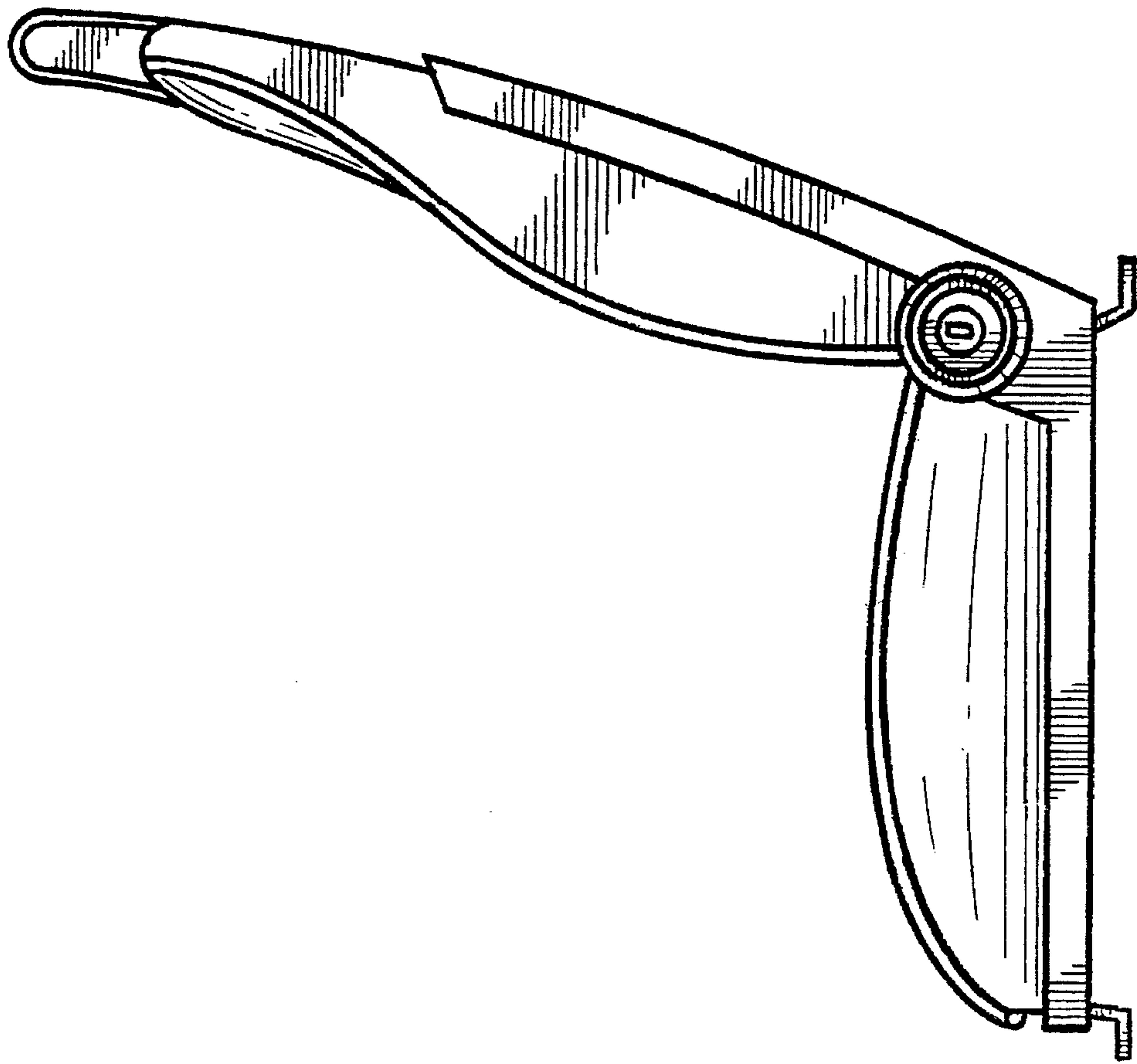




FIG. 3.

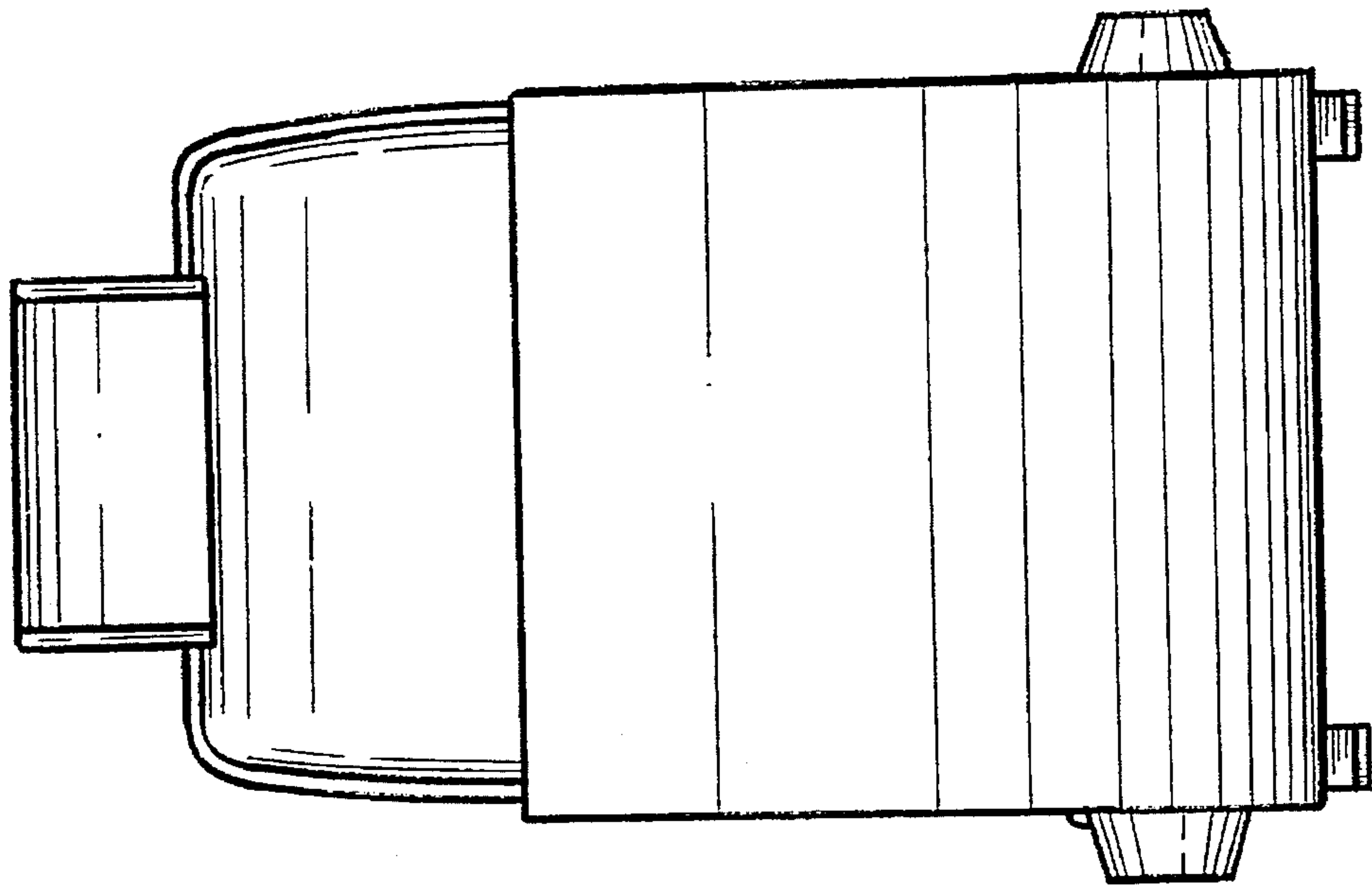


FIG. 5.

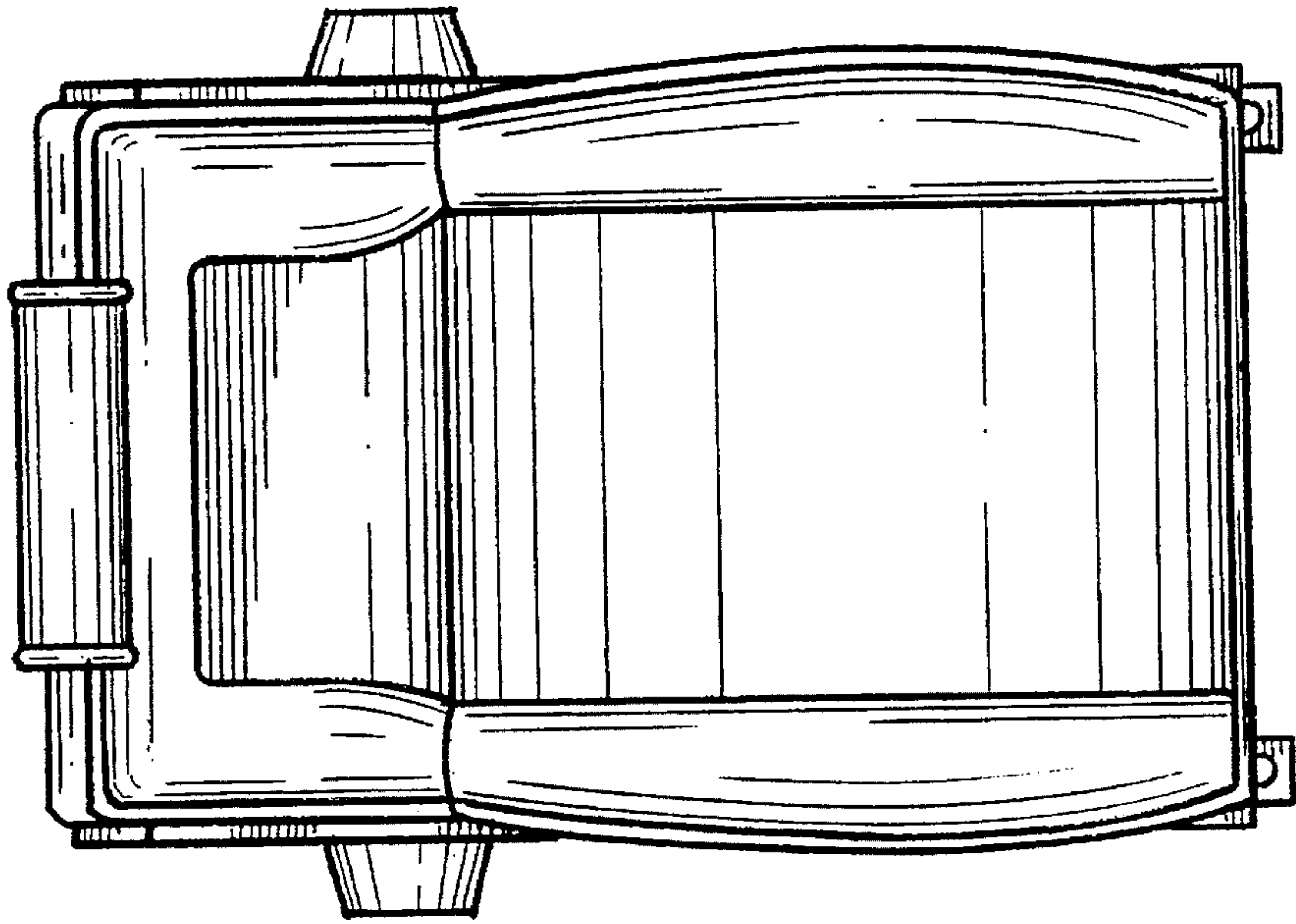


FIG. 6.

