



US00D365214S

United States Patent [19]

[11] **Patent Number: Des. 365,214**

Wilcox

[45] **Date of Patent: **Dec. 19, 1995**

[54] **COMBINED TIE AND BELT HANGER**

Primary Examiner—B. J. Bullock

[75] Inventor: **Jay P. Wilcox**, Cedarburg, Wis.

Attorney, Agent, or Firm—Andrus, Scales, Starke & Sawall

[73] Assignee: **Allen-Edmonds Shoe Corporation**,
Port Washington, Wis.

[57] **CLAIM**

[**] Term: **14 Years**

The ornamental design for a combined tie and belt hanger, as shown and described.

[21] Appl. No.: **22,488**

DESCRIPTION

[22] Filed: **May 5, 1994**

[52] U.S. Cl. **D6/319; D6/315**

[58] Field of Search D6/315, 319, 569,
D6/327; 211/113; 223/85, 92, DIG. 1

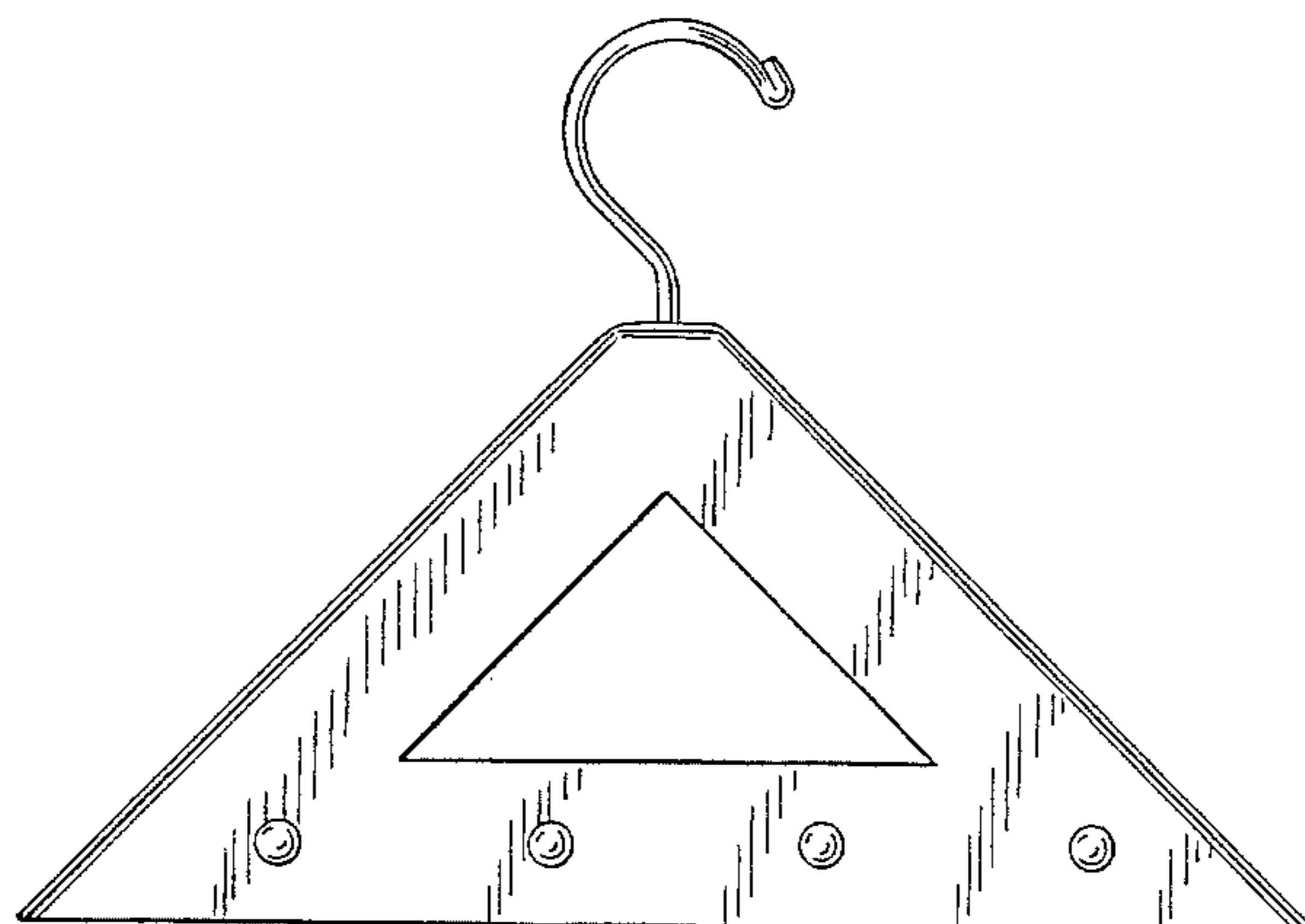
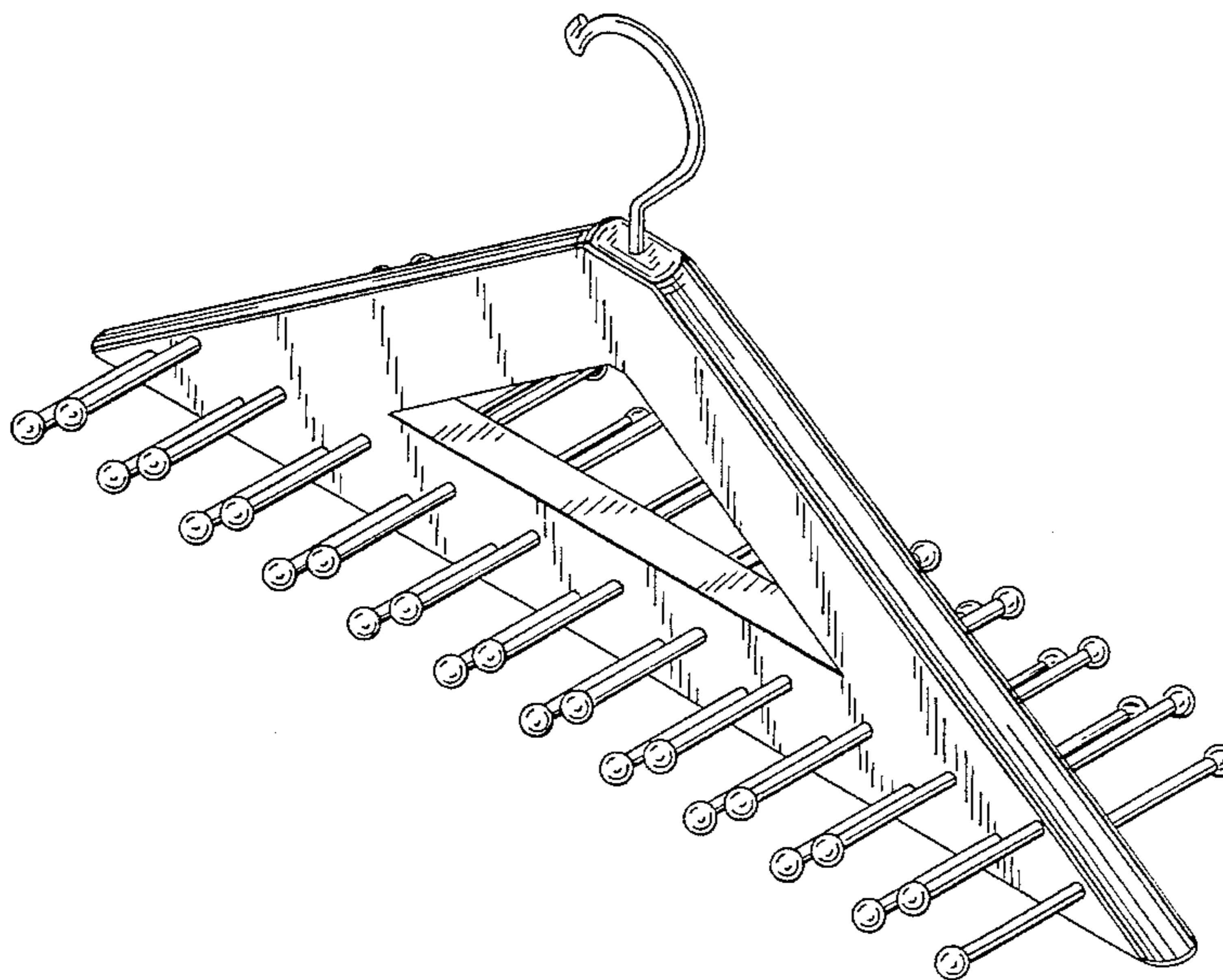
FIG. 1 is a front perspective view of a combined tie and belt hanger showing my new design;
FIG. 2 is a left side elevational view thereof, the right side elevational view being identical;
FIG. 3 is a front elevational view thereof;
FIG. 4 is a top plan view thereof;
FIG. 5 is a rear elevational view thereof;
FIG. 6 is a bottom plan view thereof;
FIG. 7 is a front elevational view of another embodiment of FIG. 7, the rear being a mirror image thereof;
FIG. 8 is a left side elevational view of the FIG. 7 embodiment, the right side being substantially identical;
FIG. 9 is a top plan view of the FIG. 7 embodiment; and,
FIG. 10 is a bottom plan view of the FIG. 7 embodiment.

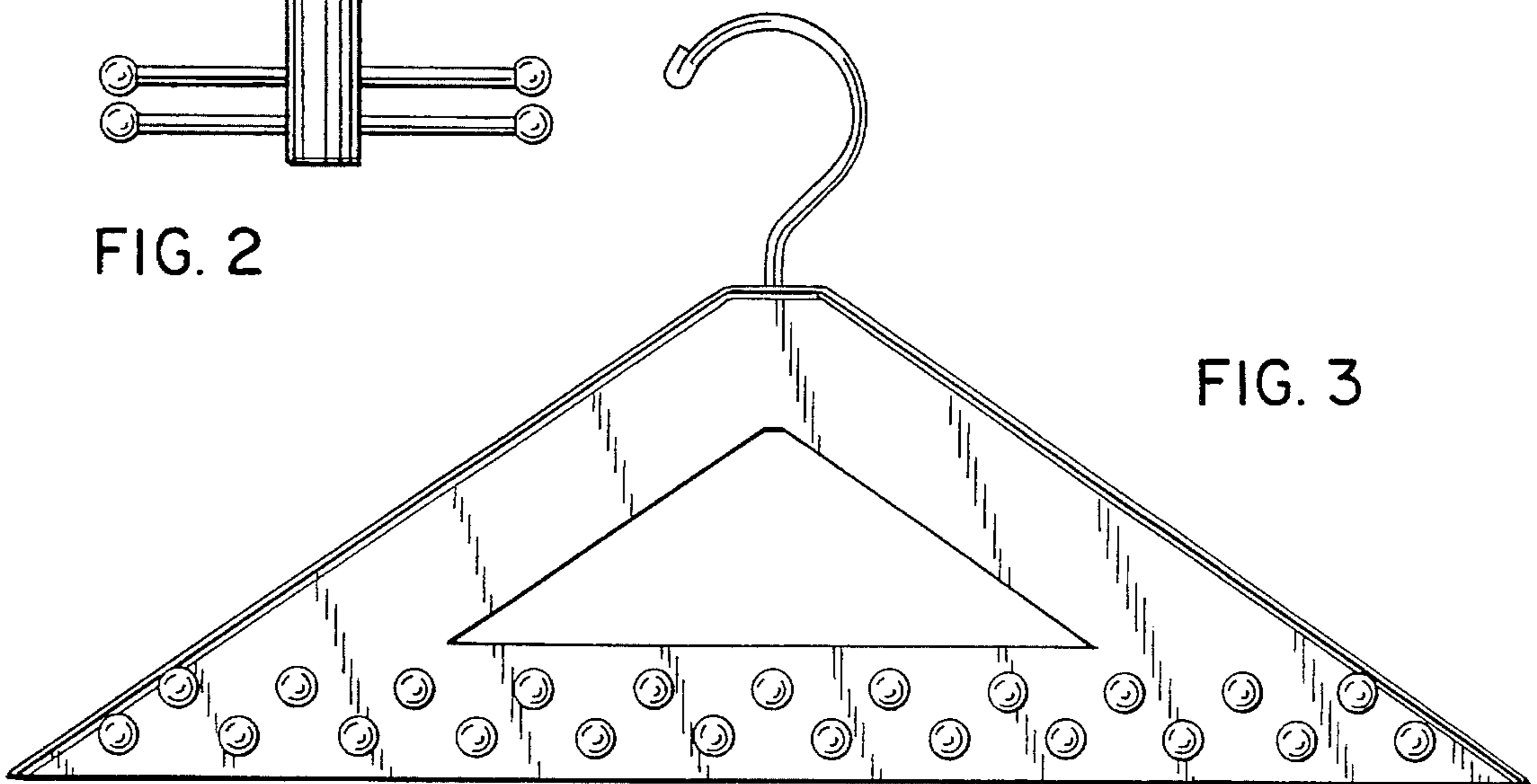
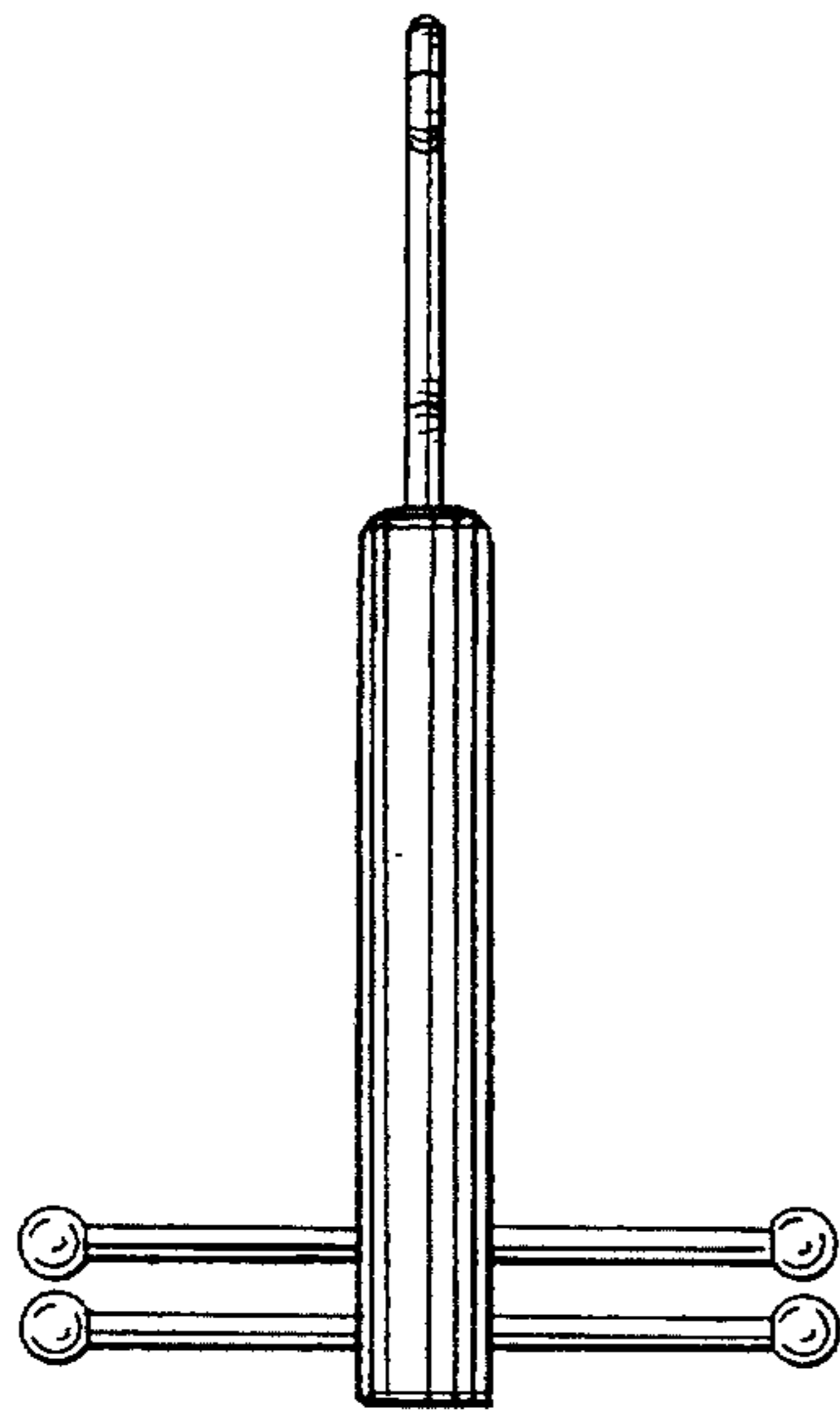
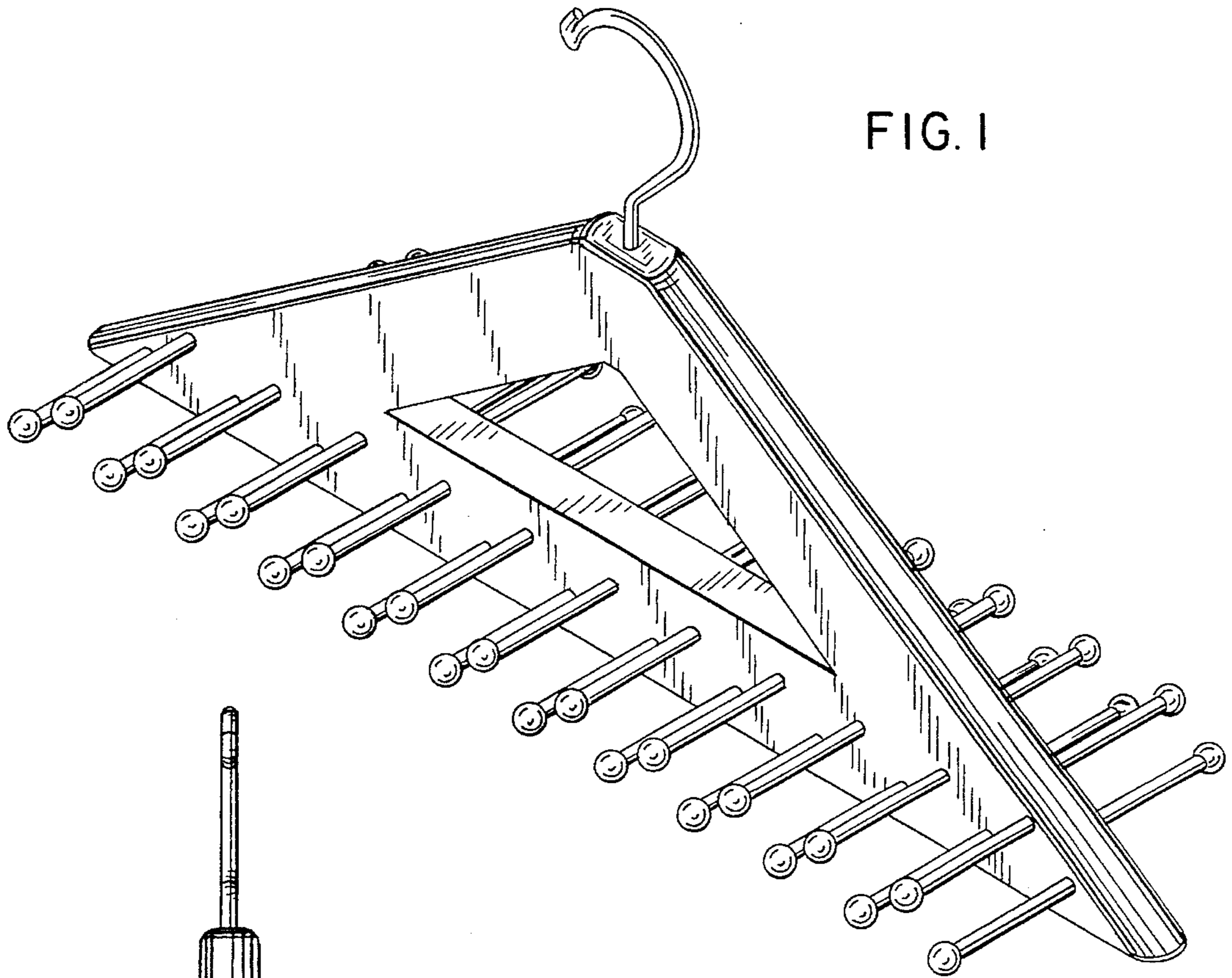
[56] **References Cited**

U.S. PATENT DOCUMENTS

D. 272,501	2/1984	Rutishauser	D6/327
D. 281,931	12/1985	Arnold et al.	D6/327
D. 298,782	12/1988	Rybka et al.	D6/315
2,007,636	7/1935	Brothers	211/113
4,863,043	9/1989	Bowen	223/DIG. 1

1 Claim, 4 Drawing Sheets





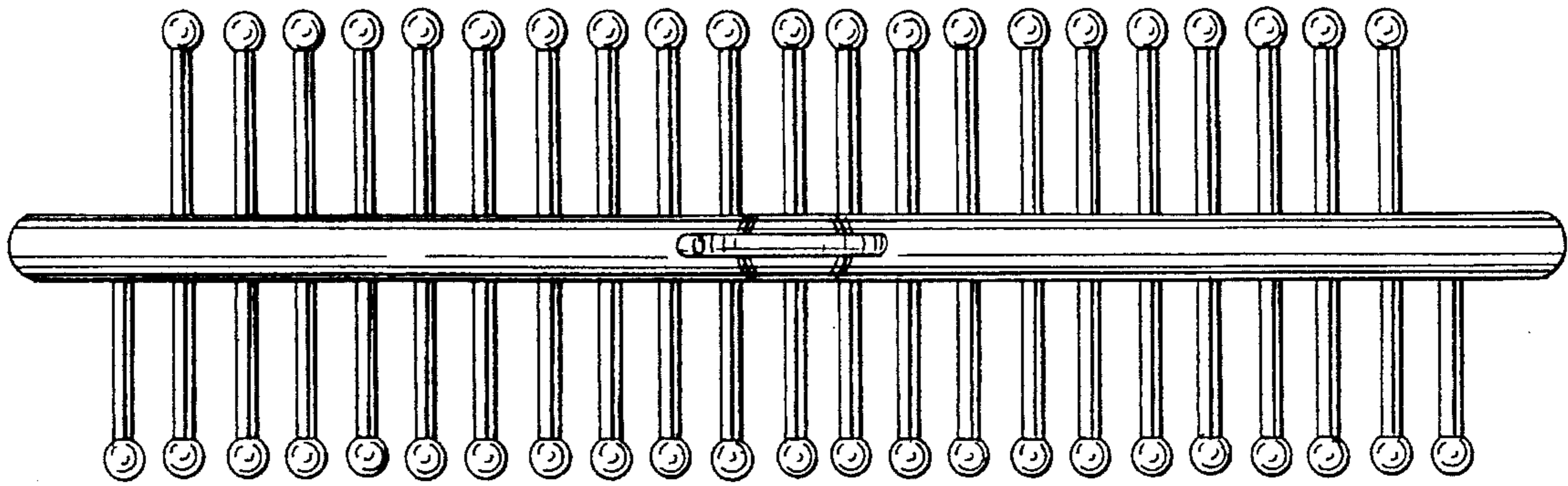


FIG. 4

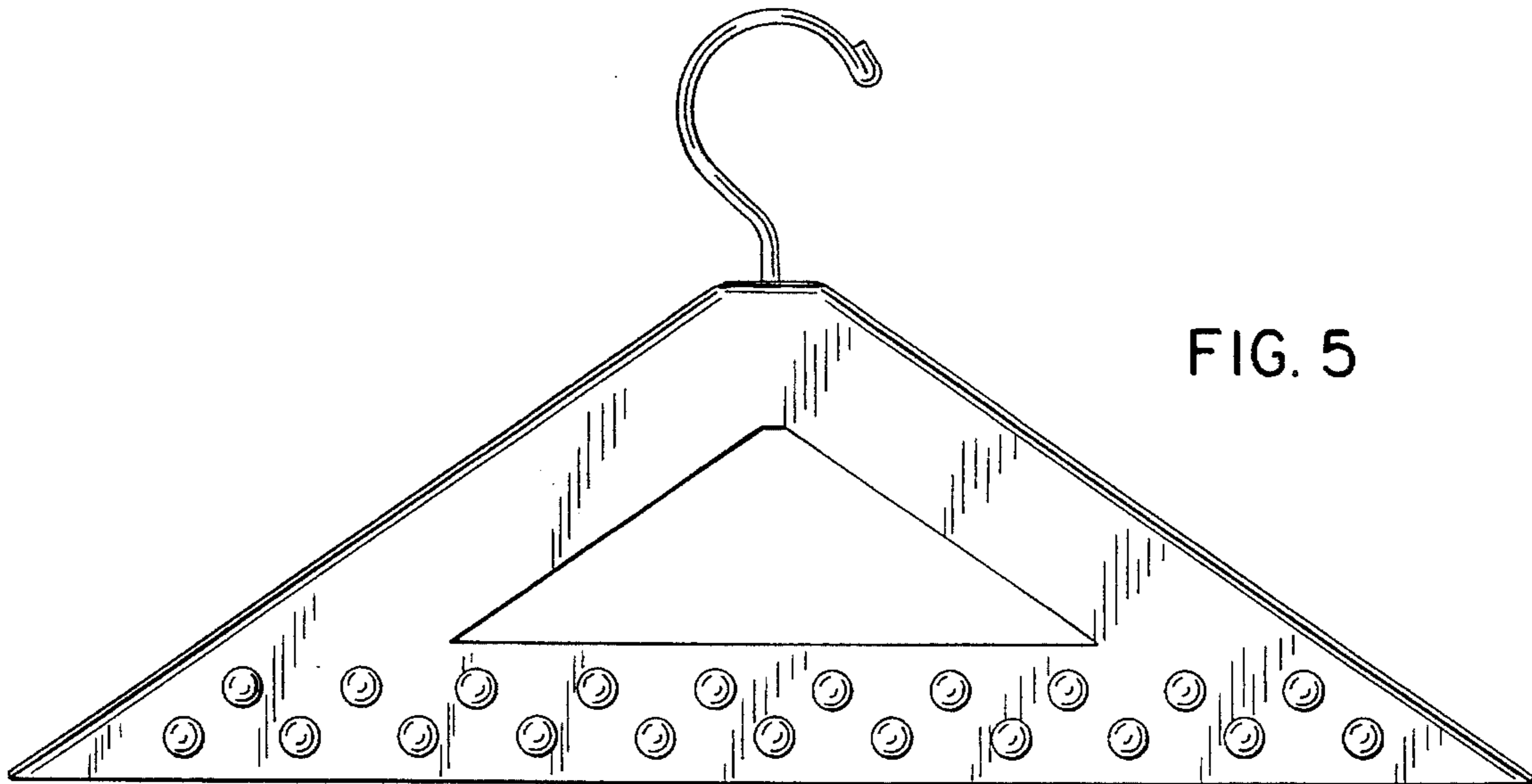


FIG. 5

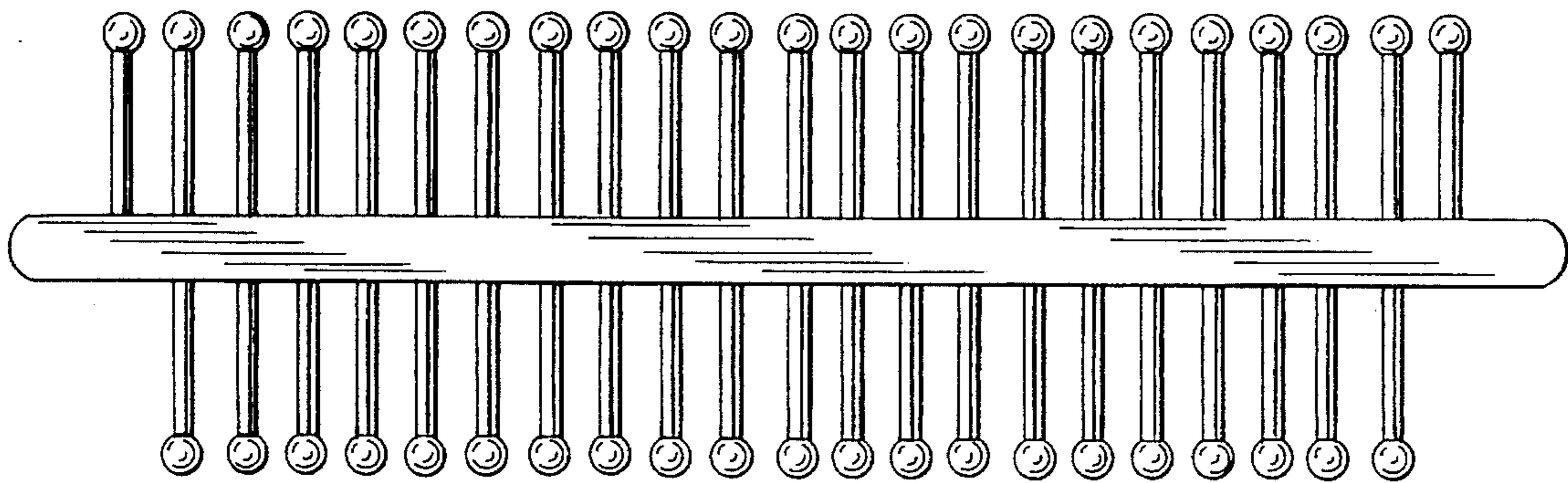


FIG. 6

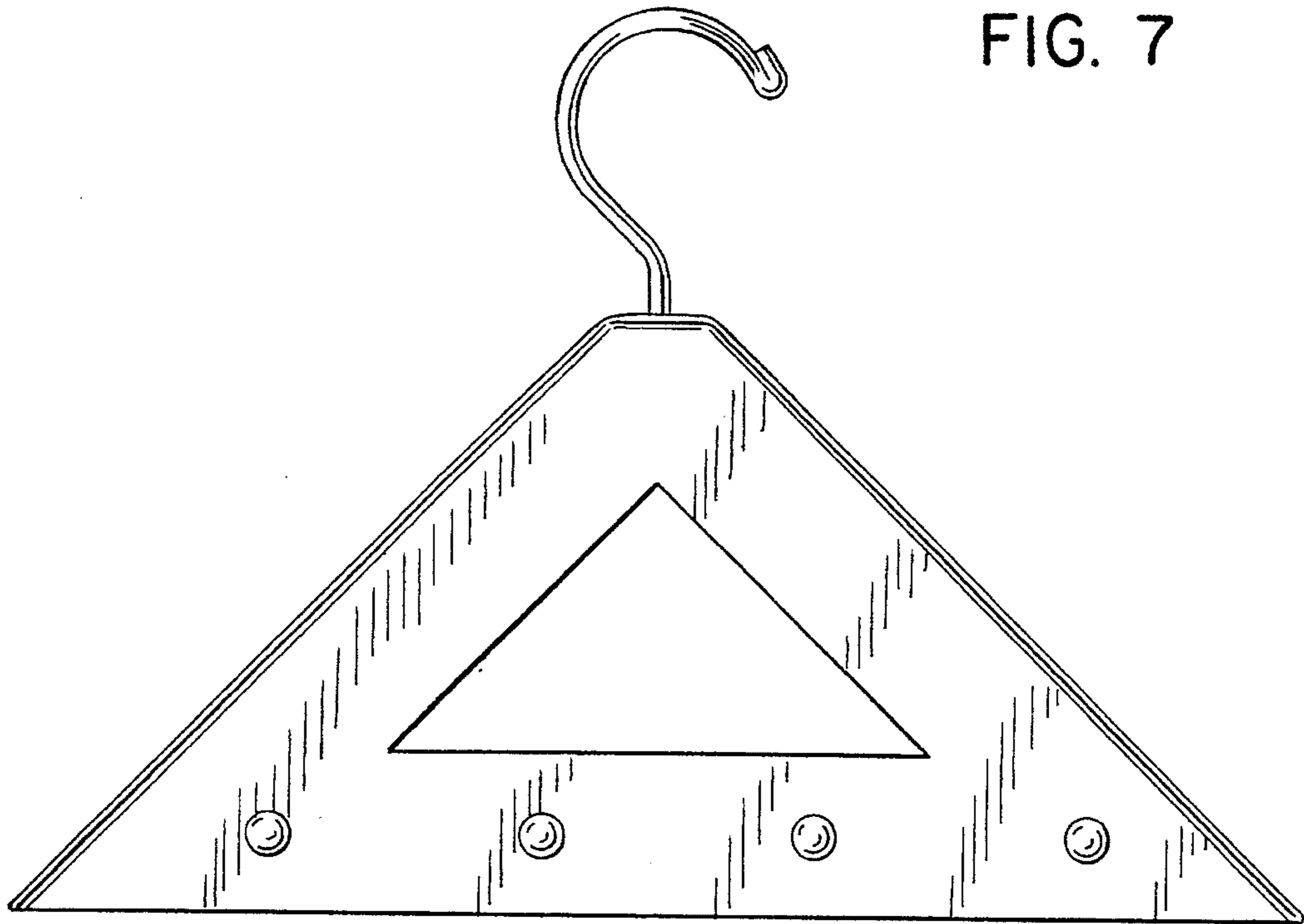


FIG. 7

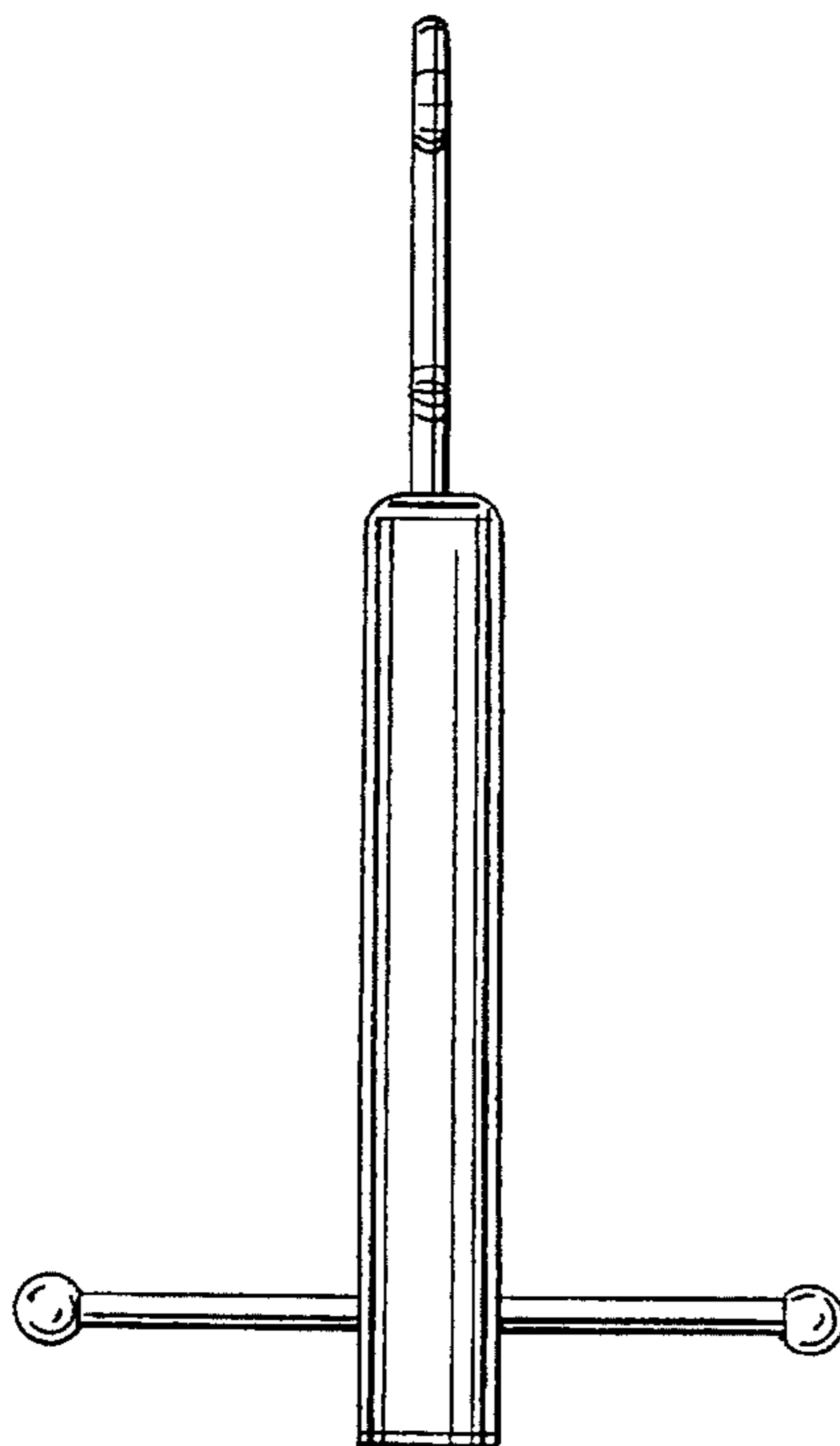


FIG. 8

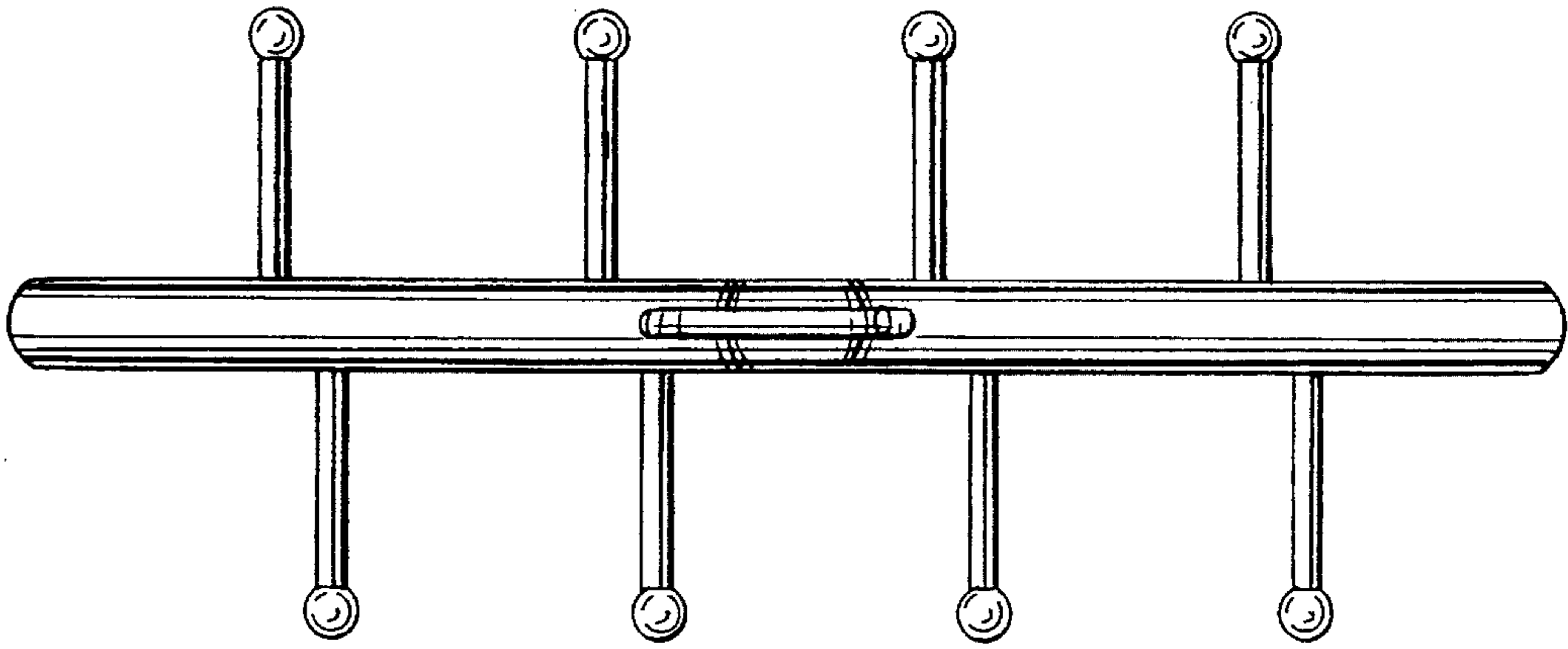


FIG. 9

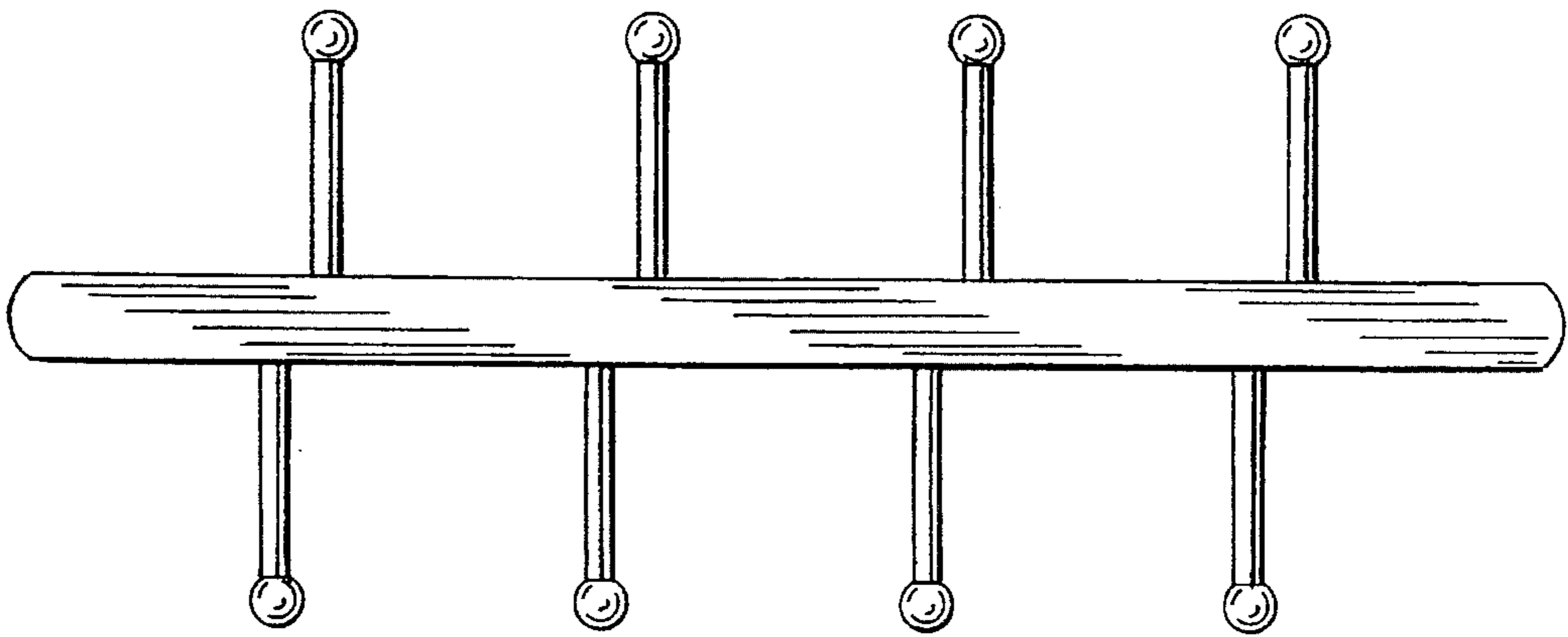


FIG. 10