



US00D365213S

United States Patent [19]
Clark

[11] **Patent Number: Des. 365,213**
[45] **Date of Patent: **Dec. 19, 1995**

[54] **CHAIR**
[76] Inventor: **Christopher W. Clark**, 82 Arnold Rd.,
Wellesley, Mass. 02181
[**] Term: **14 Years**
[21] Appl. No.: **33,269**
[22] Filed: **Jan. 9, 1995**
[52] **U.S. Cl.** **D6/380; D6/363**
[58] **Field of Search** D6/334, 335, 336,
D6/352, 363, 365, 374, 379, 380, 500,
501, 502; 297/445, 446

D. 237,566 11/1975 Doty, Jr. D6/363
D. 253,377 11/1979 Spound et al. D6/352
D. 326,368 5/1992 Vilmar-Matthews D6/363
D. 343,524 1/1994 Mandle D6/363
3,142,514 7/1964 Ginat D6/365 X

Primary Examiner—Janice E. Seeger
Assistant Examiner—Gary D. Watson

[57] **CLAIM**

The ornamental design for a chair, as shown and described.

DESCRIPTION

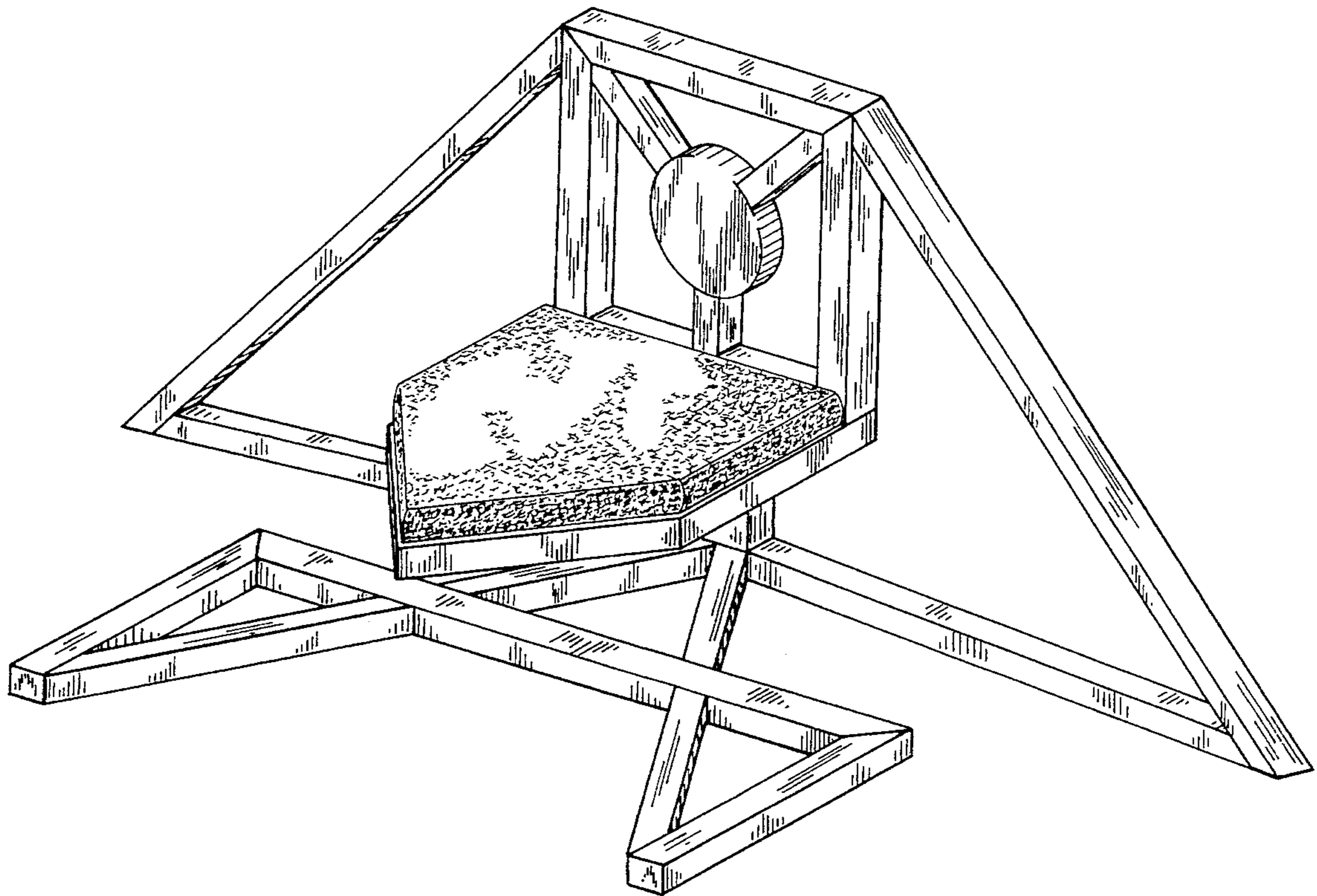
FIG. 1 is a perspective view of a chair showing my new design;
FIG. 2 is a front elevational view of said chair;
FIGS. 3 and 4 are side elevational views of said chair; said side views indicate that the chair is symmetrical, i.e, the sides are mirror images of each other; and,
FIG. 5 is a rear view of said chair.

[56] **References Cited**

U.S. PATENT DOCUMENTS

D. 51,993 4/1918 Aulepp, Jr. D6/363 X
D. 64,473 4/1924 Rieder D6/374
D. 182,245 3/1958 Rabin D6/363
D. 183,478 9/1958 Cohen D6/363
D. 207,102 3/1967 Hennessey D6/365

1 Claim, 4 Drawing Sheets



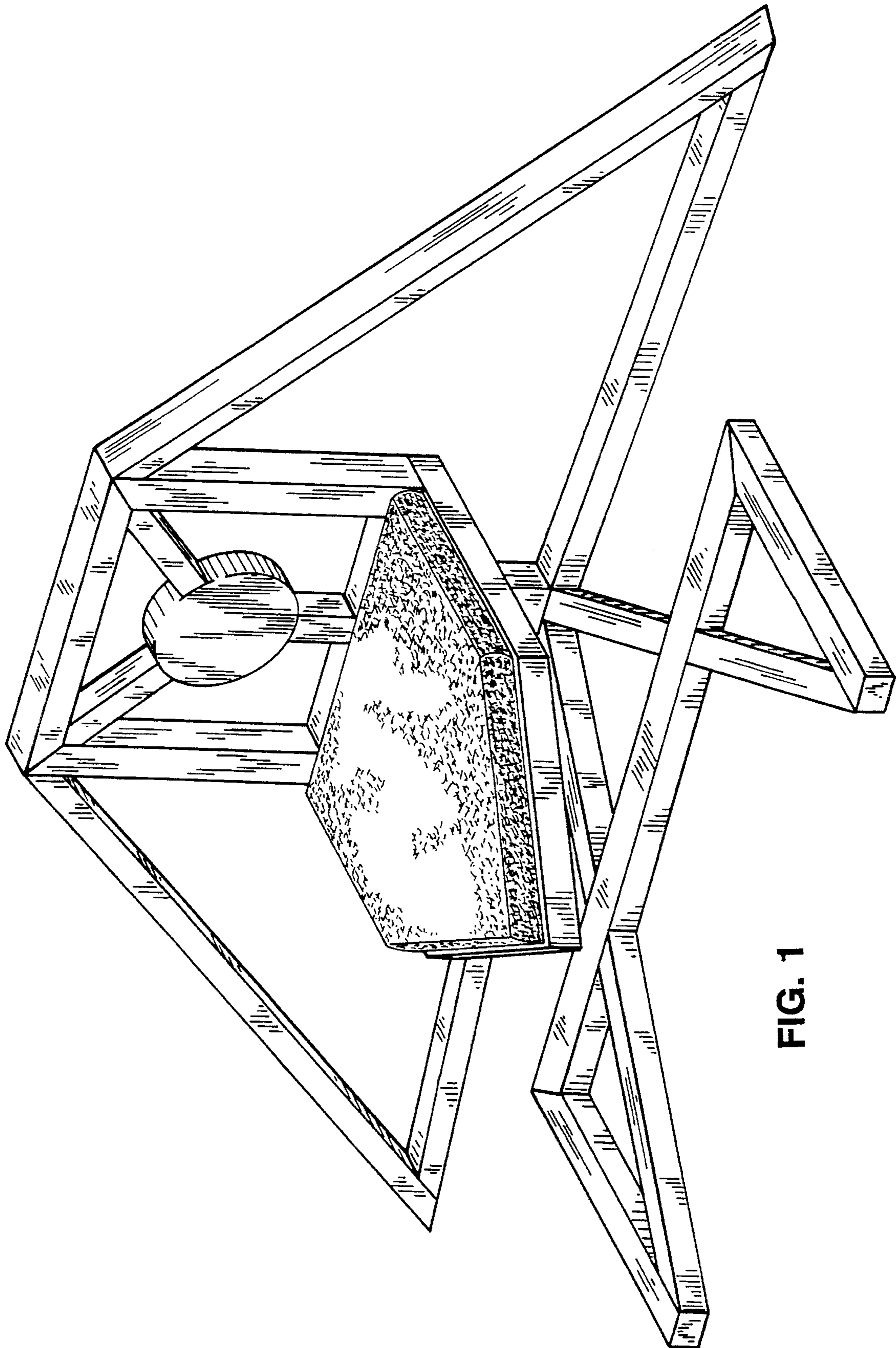


FIG. 1

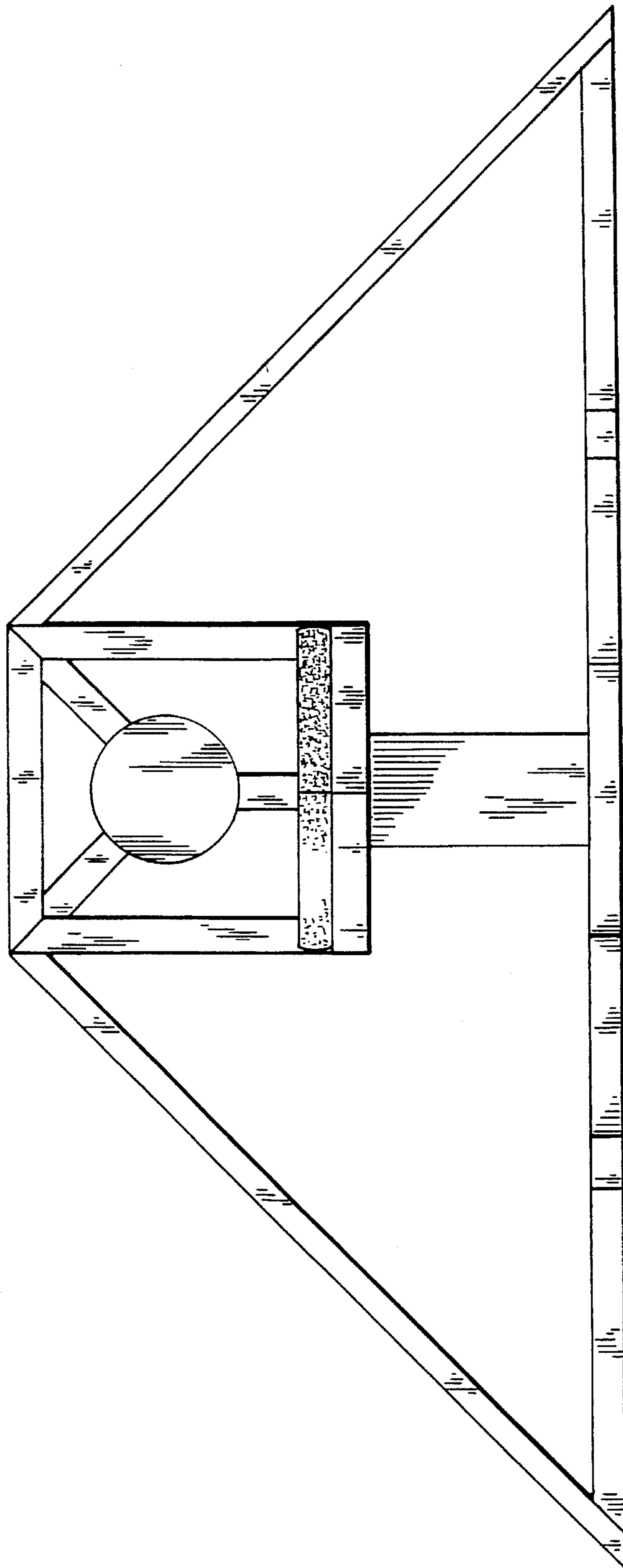


FIG. 2

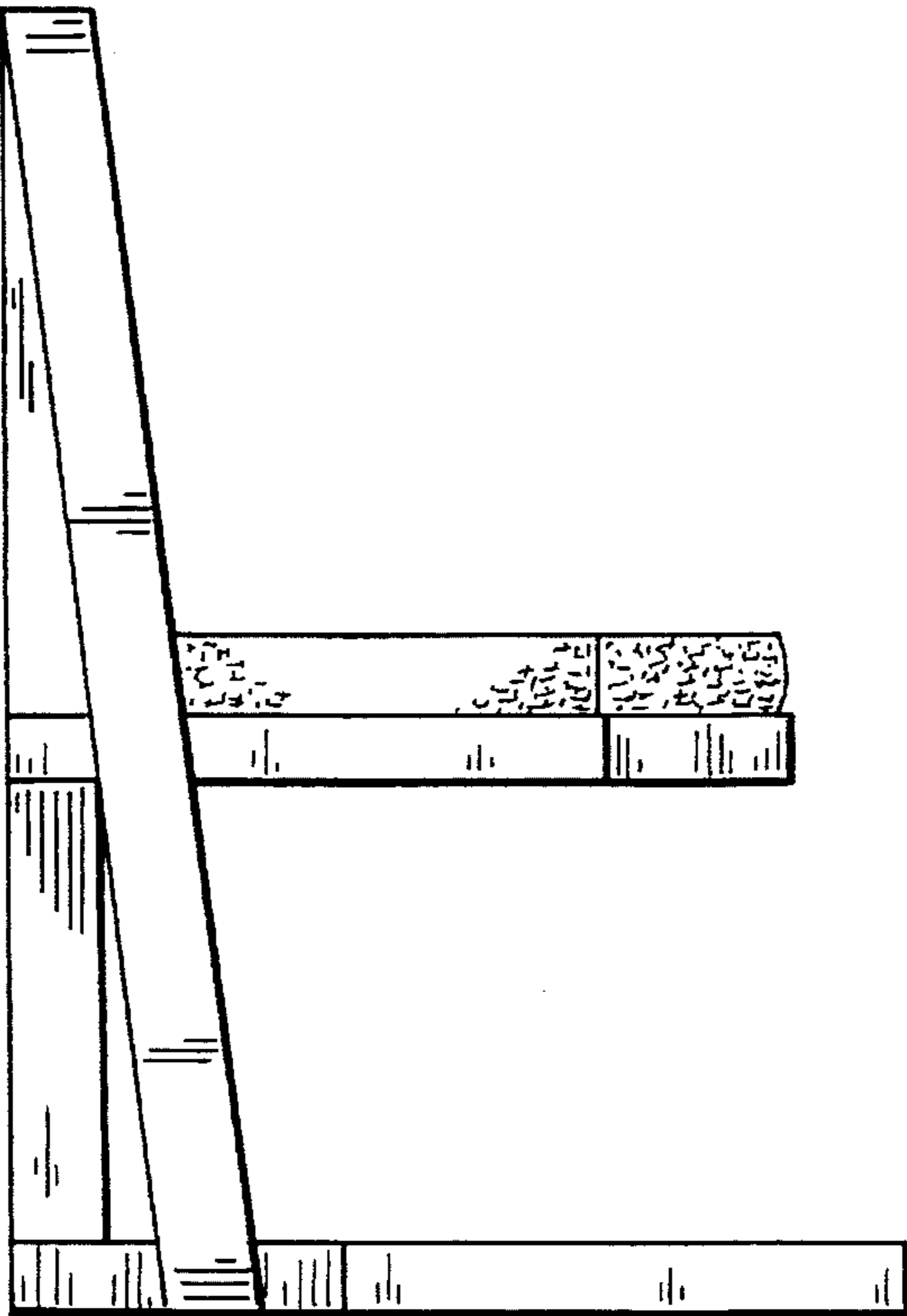


FIG. 3

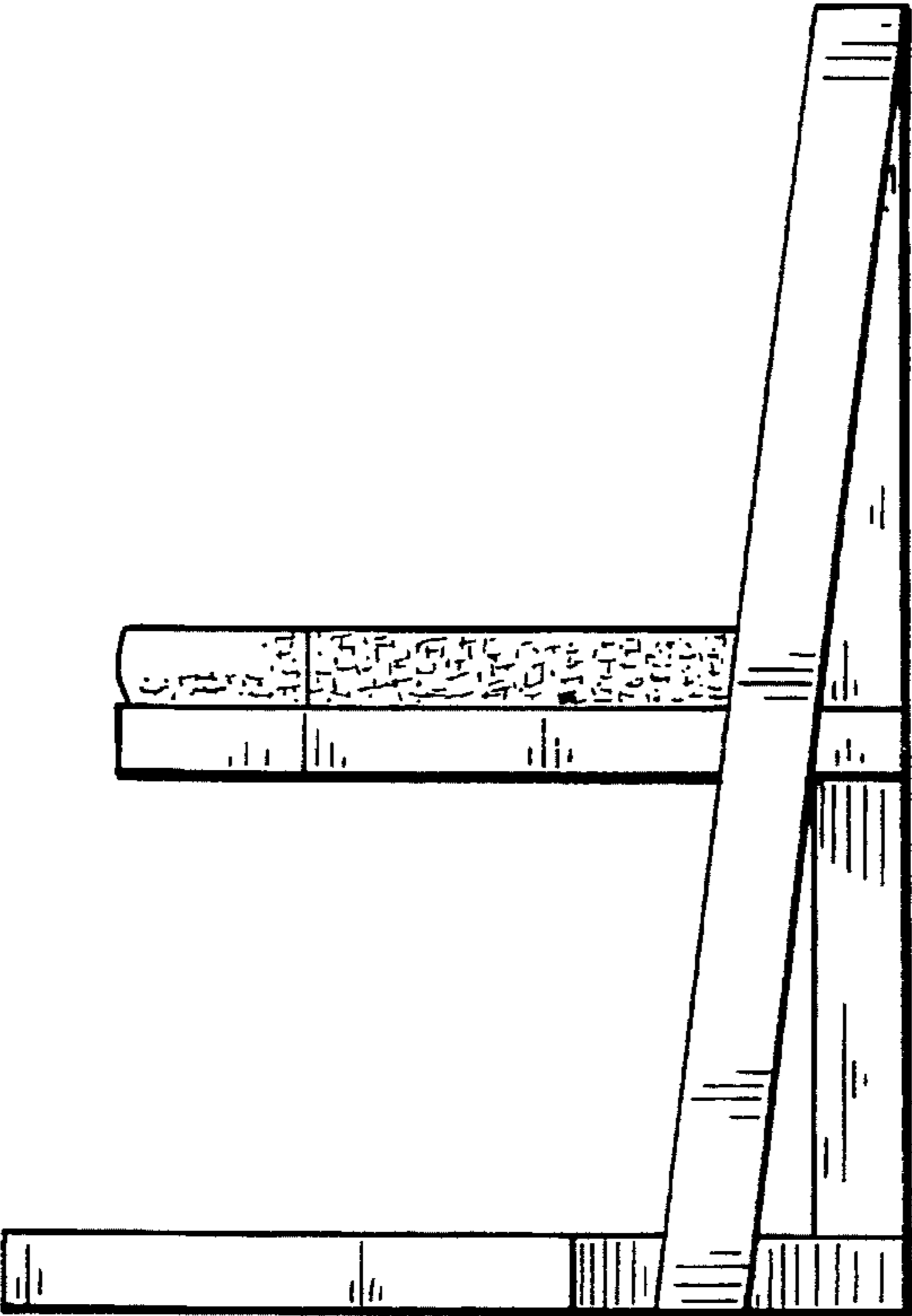


FIG. 4

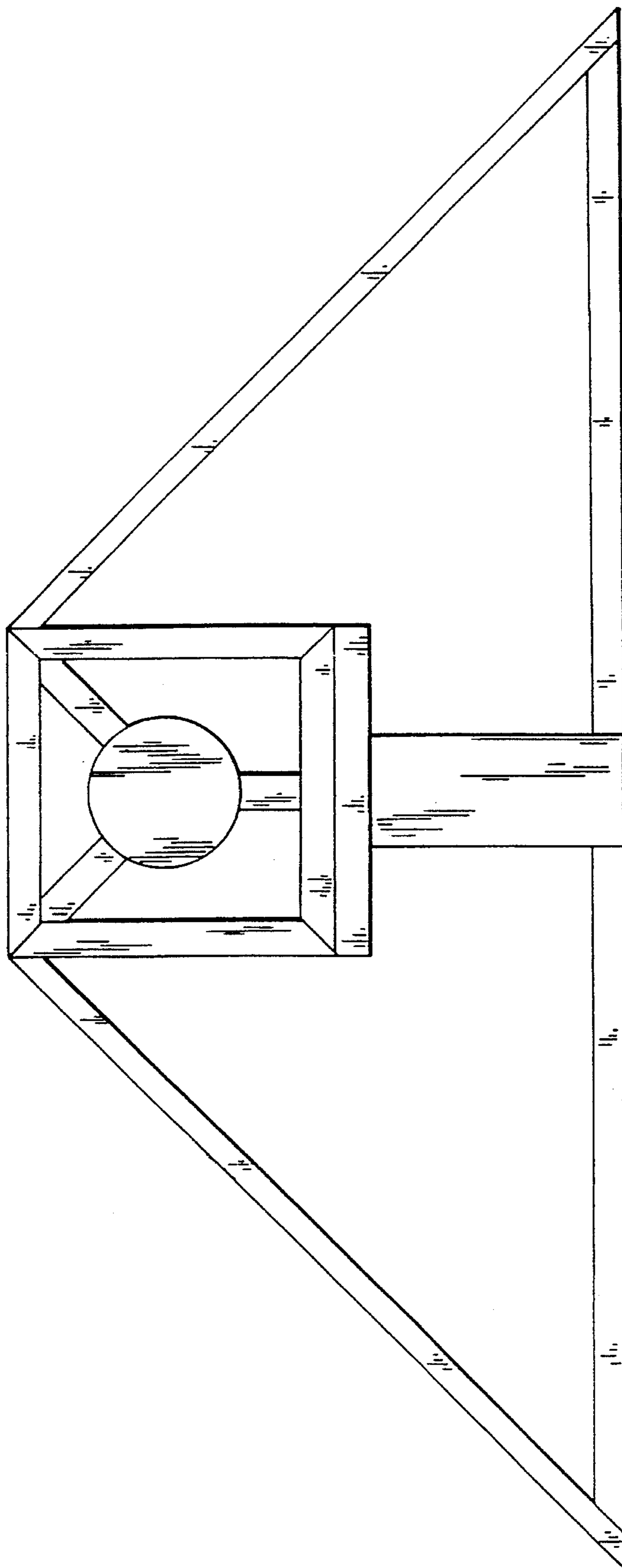


FIG. 5