



US00D365208S

# United States Patent [19] Laib

[11] Patent Number: **Des. 365,208**  
[45] Date of Patent: **\*\*Dec. 19, 1995**

[54] **COUNTER BOX**  
[75] Inventor: **Douglas M. Laib**, Kissimmee, Fla.  
[73] Assignee: **Dart Industries Inc.**, Deerfield, Ill.  
[\*\*] Term: **14 Years**  
[21] Appl. No.: **28,471**  
[22] Filed: **Sep. 15, 1994**  
[52] U.S. Cl. .... **D3/294**  
[58] Field of Search ..... D3/294, 272, 273,  
D3/295; D9/420, 424, 426; D6/553, 513;  
D99/29, 33; 232/19, 20, 1 C; 206/581,  
235, 564, 371, 444, 244, 278, 566, 351,  
314

4,645,077 2/1987 McLaughlin et al. .... 206/38  
5,014,850 5/1991 Huff ..... 206/371  
5,253,756 10/1993 Goekler ..... 206/444  
5,295,742 3/1994 Knutson ..... 312/244

*Primary Examiner*—Ted Shooman  
*Assistant Examiner*—Philip Hyder  
*Attorney, Agent, or Firm*—John A. Doninger

[57] **CLAIM**

The ornamental design for a counter box, as shown.

**DESCRIPTION**

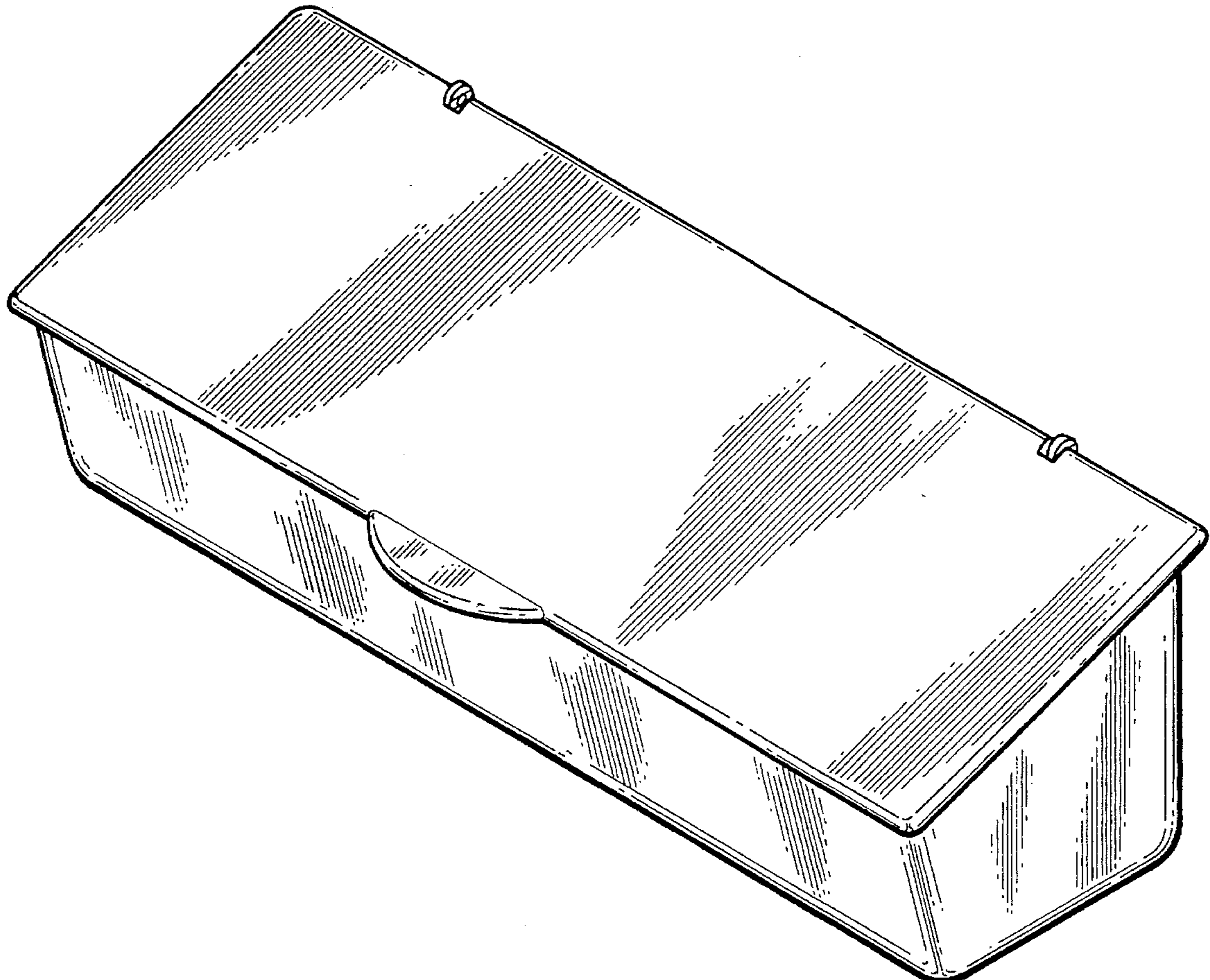
FIG. 1 is a top, front and side perspective view of a counter box showing my new design;  
FIG. 2 is a top plan view thereof;  
FIG. 3 is a bottom plan view thereof;  
FIG. 4 is a right side view thereof;  
FIG. 5 is a left side view thereof;  
FIG. 6 is a front elevation view thereof;  
FIG. 7 is a rear elevation view thereof;  
FIG. 8 is a transverse section view thereof on line 8—8 in FIG. 2; and,  
FIG. 9 is a longitudinal section view thereof on line 9—9 in FIG. 4.

[56] **References Cited**

**U.S. PATENT DOCUMENTS**

D. 148,702 2/1948 Holmgren ..... D99/33  
D. 154,470 7/1949 Gieseler ..... D99/33  
D. 166,748 5/1952 Gosweiler ..... D99/33  
D. 204,425 4/1966 Aronson, II ..... D6/559  
D. 266,631 10/1982 Crutchfield ..... D3/294  
D. 283,747 5/1986 Margiloff ..... D99/33  
4,591,056 5/1986 Groch ..... 206/564

**1 Claim, 4 Drawing Sheets**



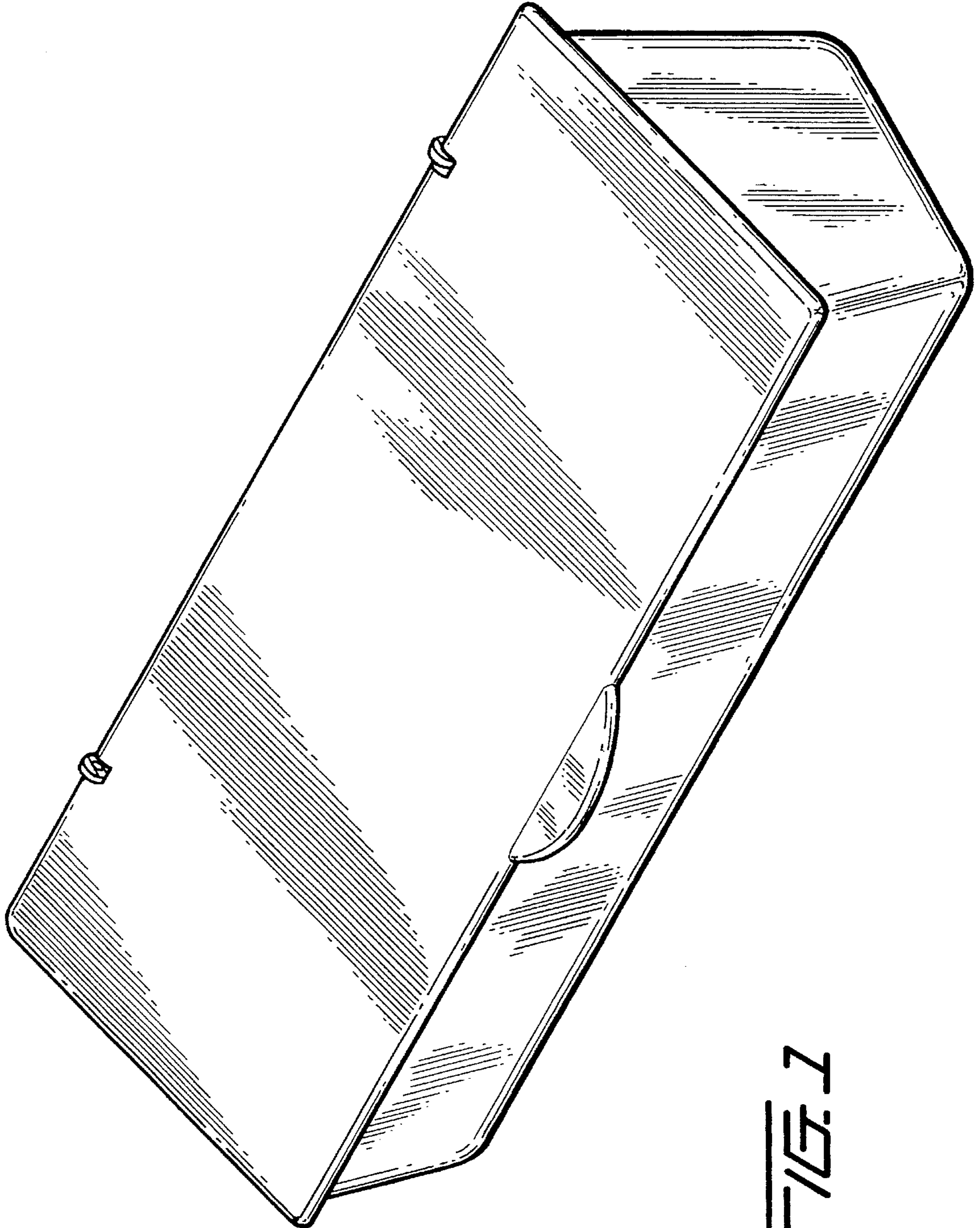
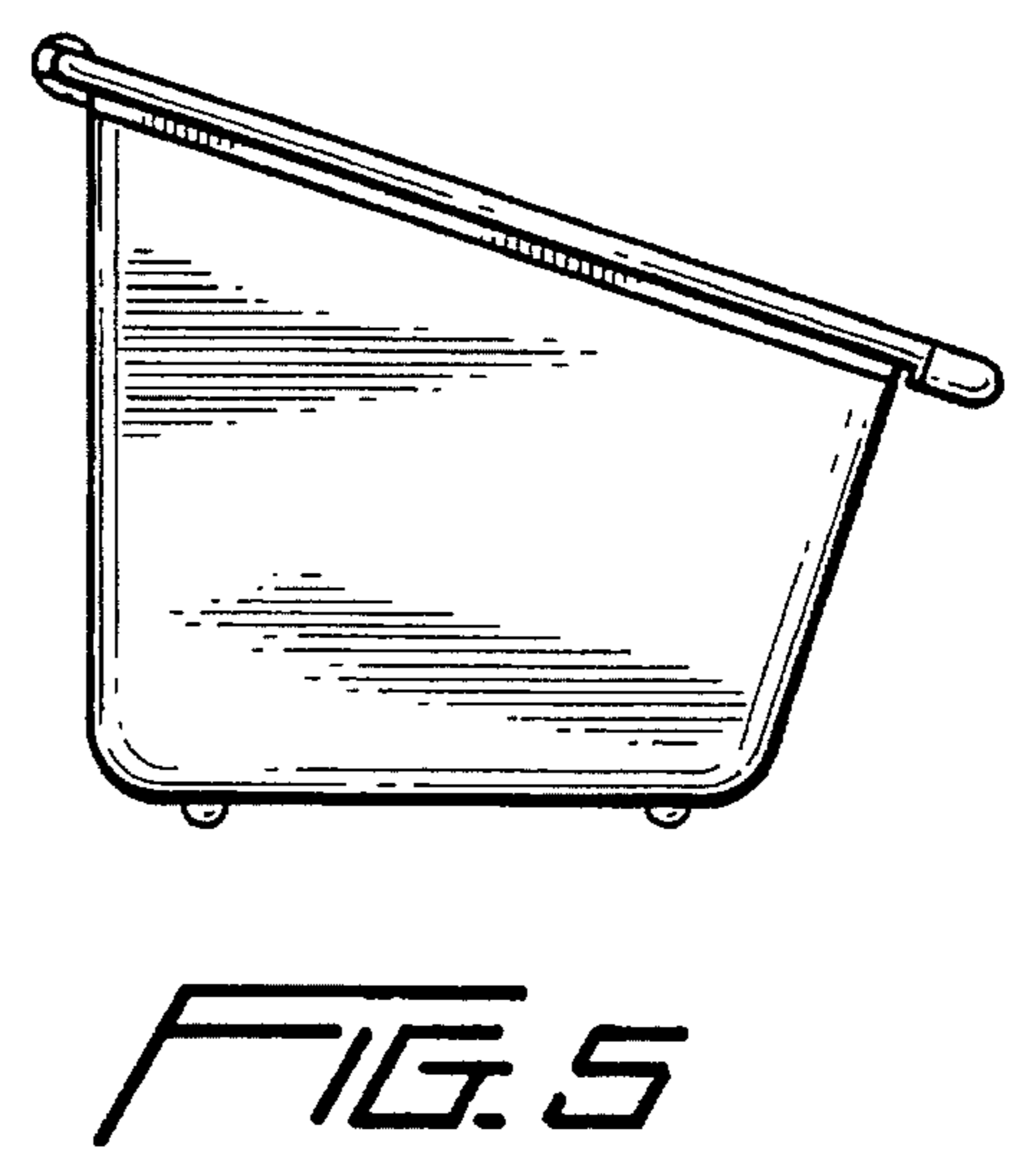
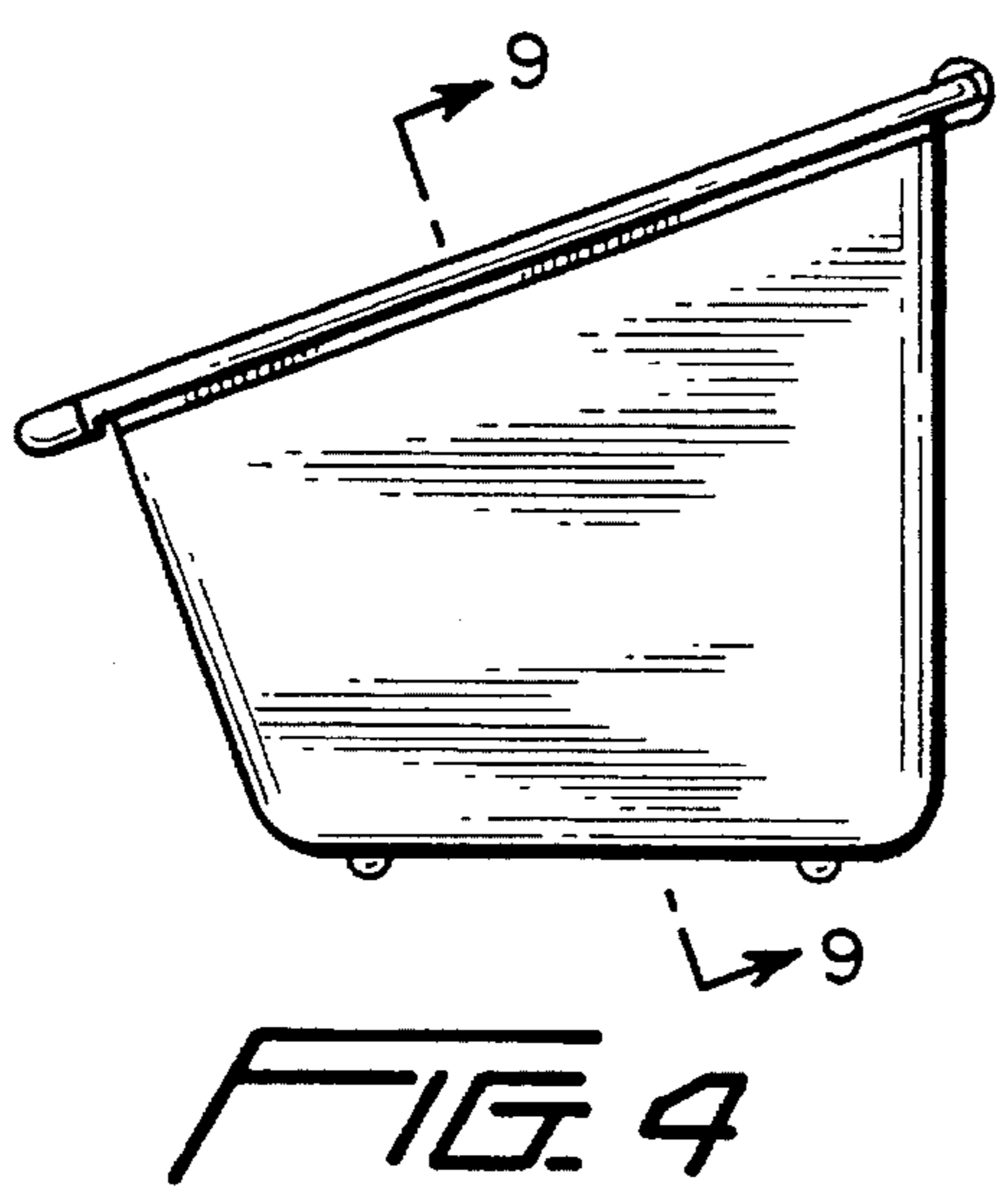
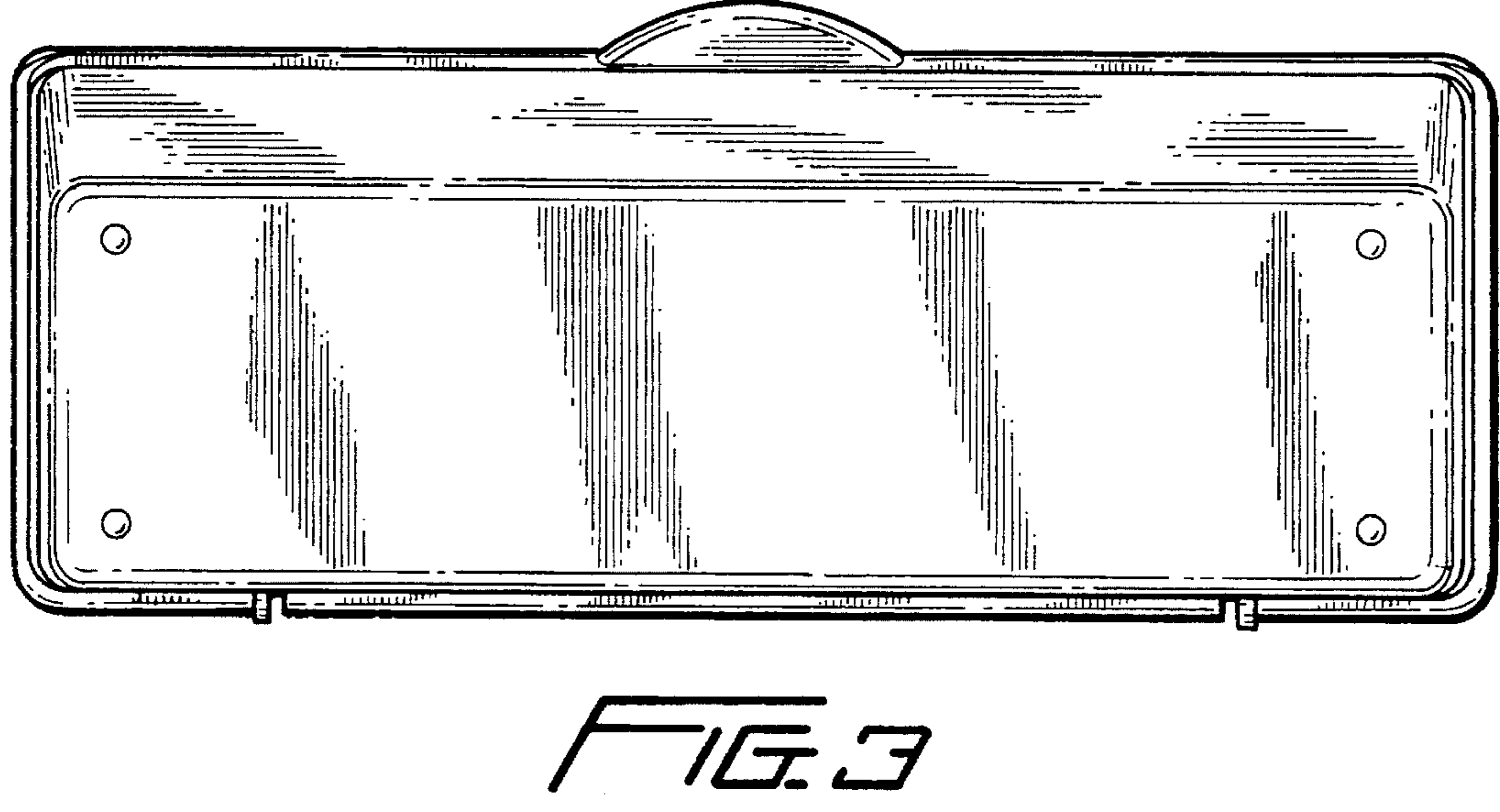
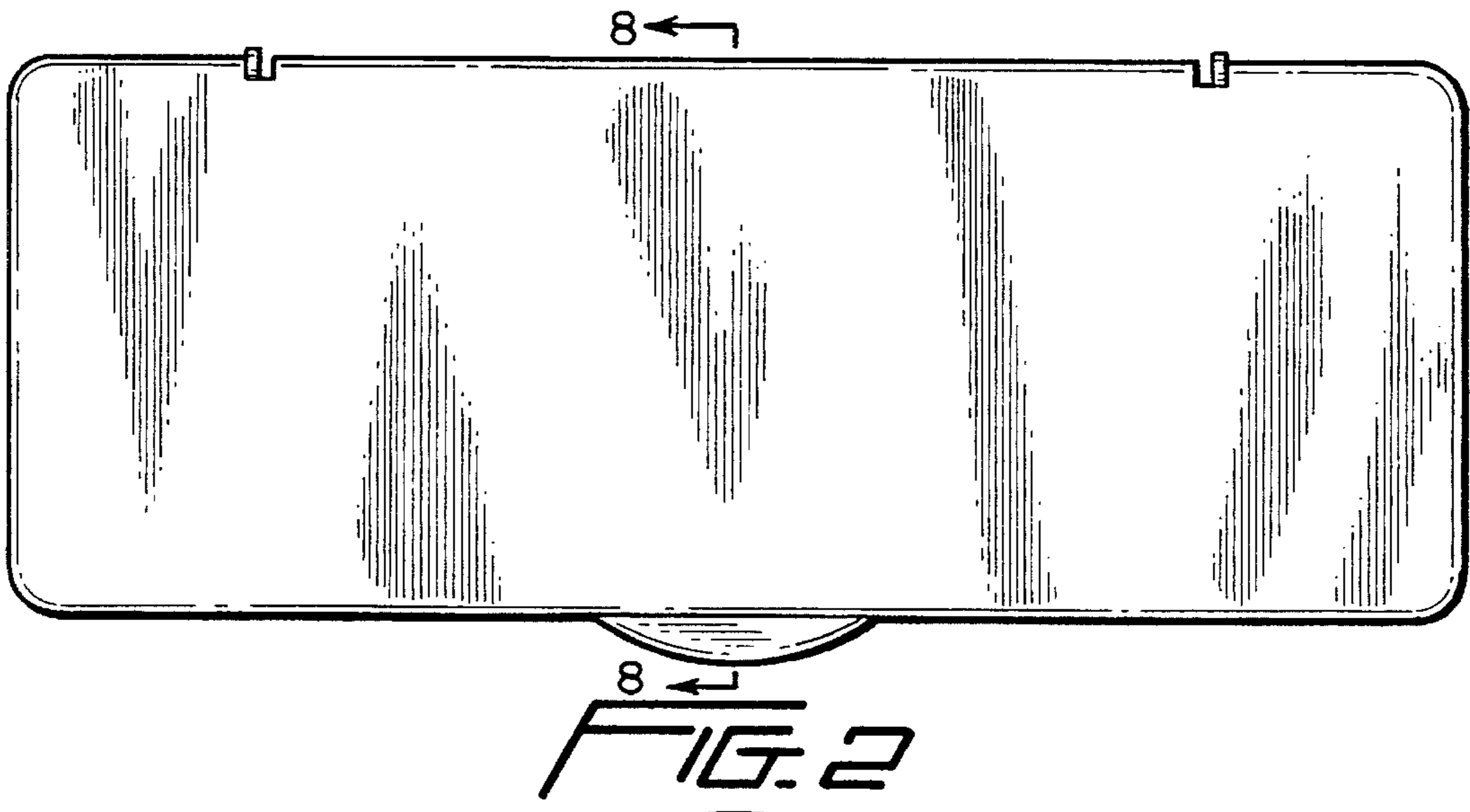


FIG. 1





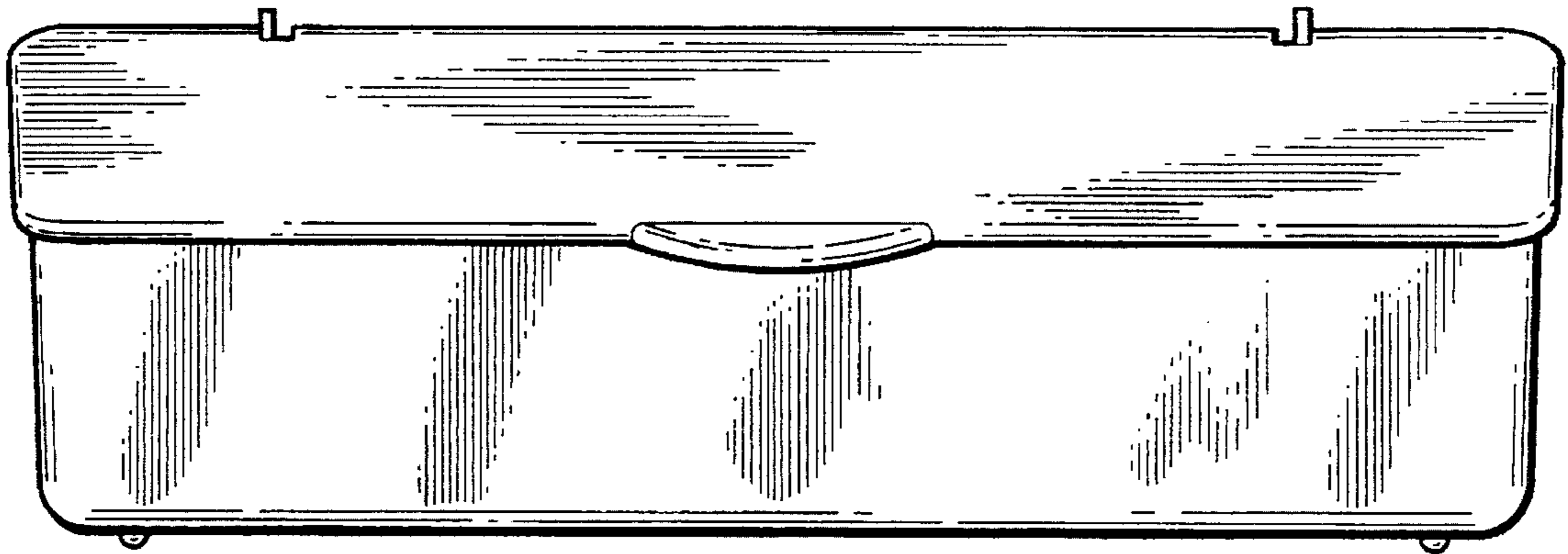


FIG. 6

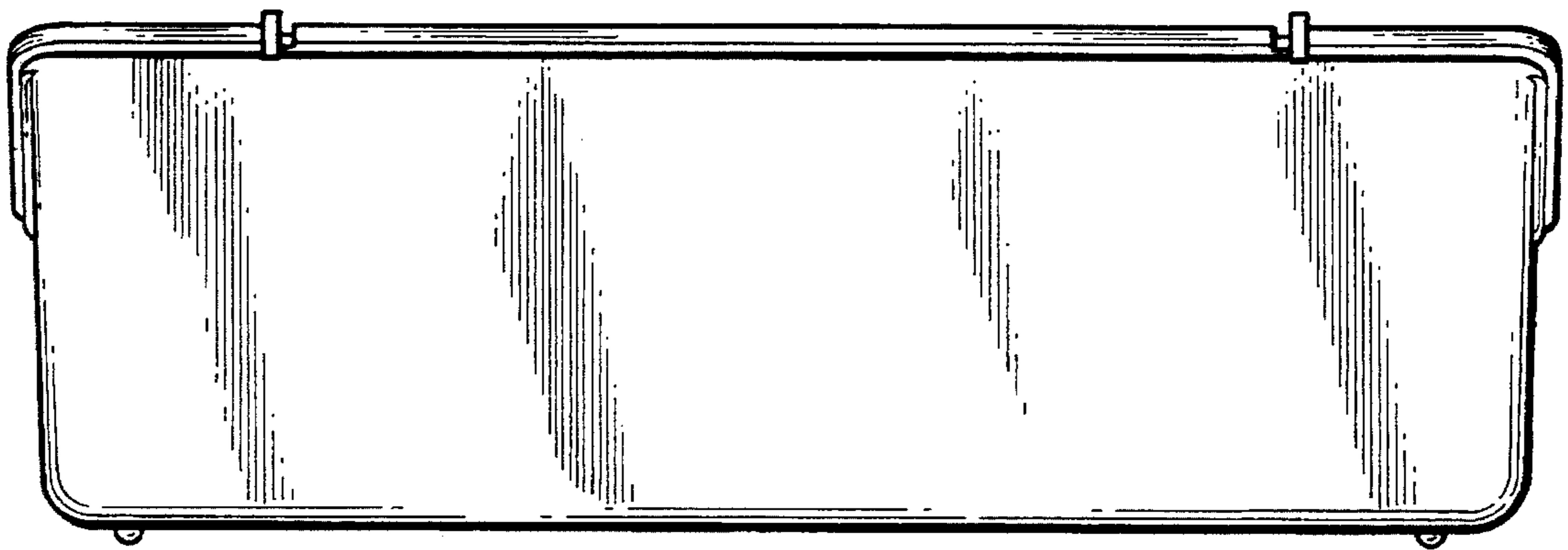


FIG. 7

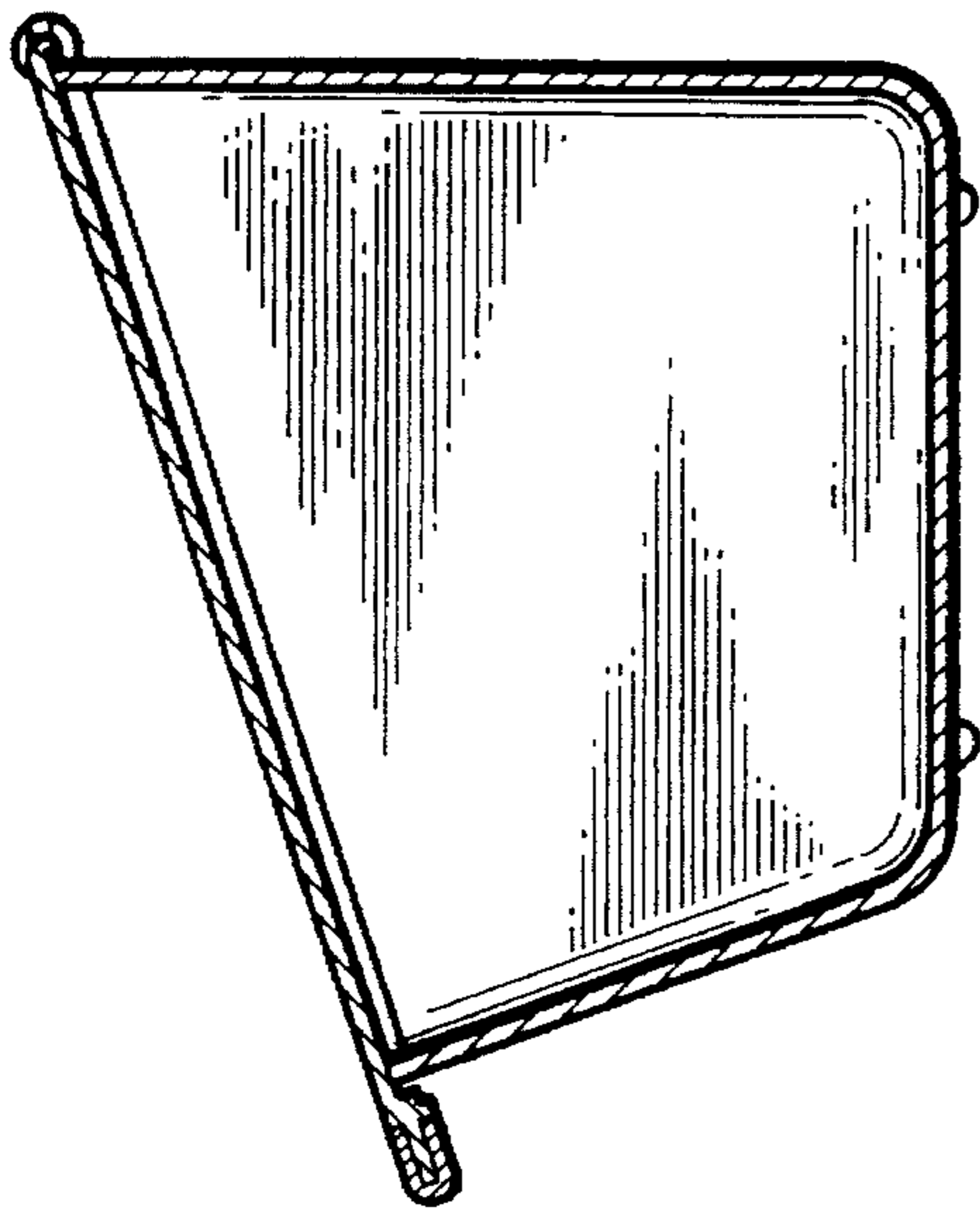


FIG. 8

FIG. 9

