



US00D365207S

# United States Patent [19]

[11] Patent Number: **Des. 365,207**

**Lacy**

[45] Date of Patent: **\*\*Dec. 19, 1995**

[54] **WOODEN BASKET WITH REMOVABLE COVER**

[75] Inventor: **Sun Lacy**, Dresden, Ohio

[73] Assignee: **The Longaberger Company**, Dresden, Ohio

[\*\*] Term: **14 Years**

[21] Appl. No.: **27,660**

[22] Filed: **Aug. 26, 1994**

[52] U.S. Cl. .... **D3/273**

[58] Field of Search ..... **D3/277, 306, 273; 217/122, 128**

[56] **References Cited**

**U.S. PATENT DOCUMENTS**

D. 118,676	1/1940	Stoehr .....	D3/277
D. 177,938	6/1956	Rosenberg .....	D3/277
D. 177,939	6/1956	Rosenberg .....	D3/277
512,404	1/1894	Springer et al. ....	217/122
738,724	9/1903	Kretzschmar .....	217/122
1,617,055	2/1927	Jones .....	217/122
2,537,725	1/1951	Watson .....	217/122

**OTHER PUBLICATIONS**

Longaberger Catalog, 1994, p. 8, Mail Basket.  
Paul Marshall Catalog, 1986, p. 45, Baskets.  
Skalny Catalog, 1966, p. 39.

*Primary Examiner*—Ted Shooman  
*Assistant Examiner*—Philip Hyden  
*Attorney, Agent, or Firm*—Porter, Wright, Morris & Arthur

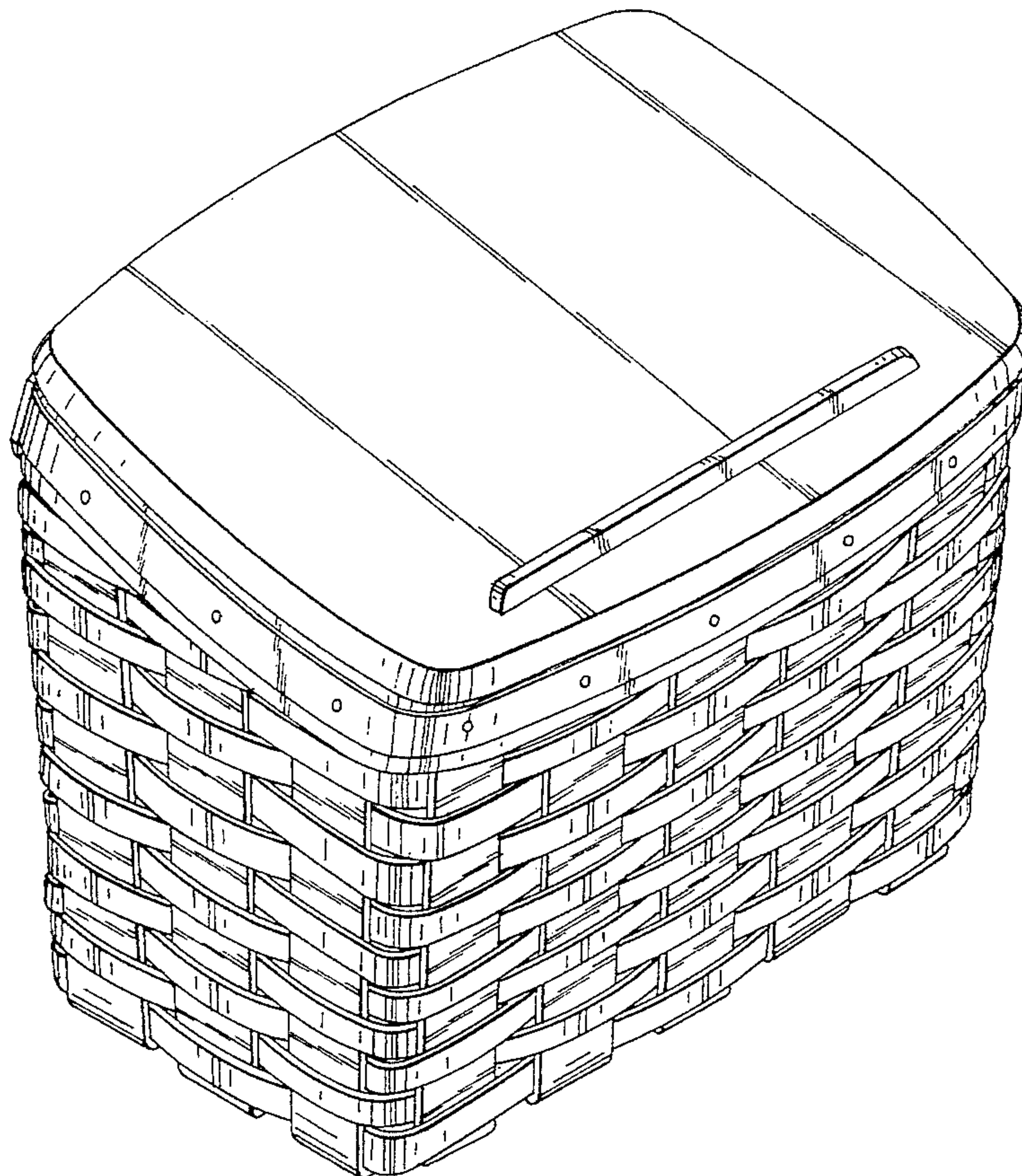
[57] **CLAIM**

The ornamental design for a wooden basket with removable cover, as shown and described.

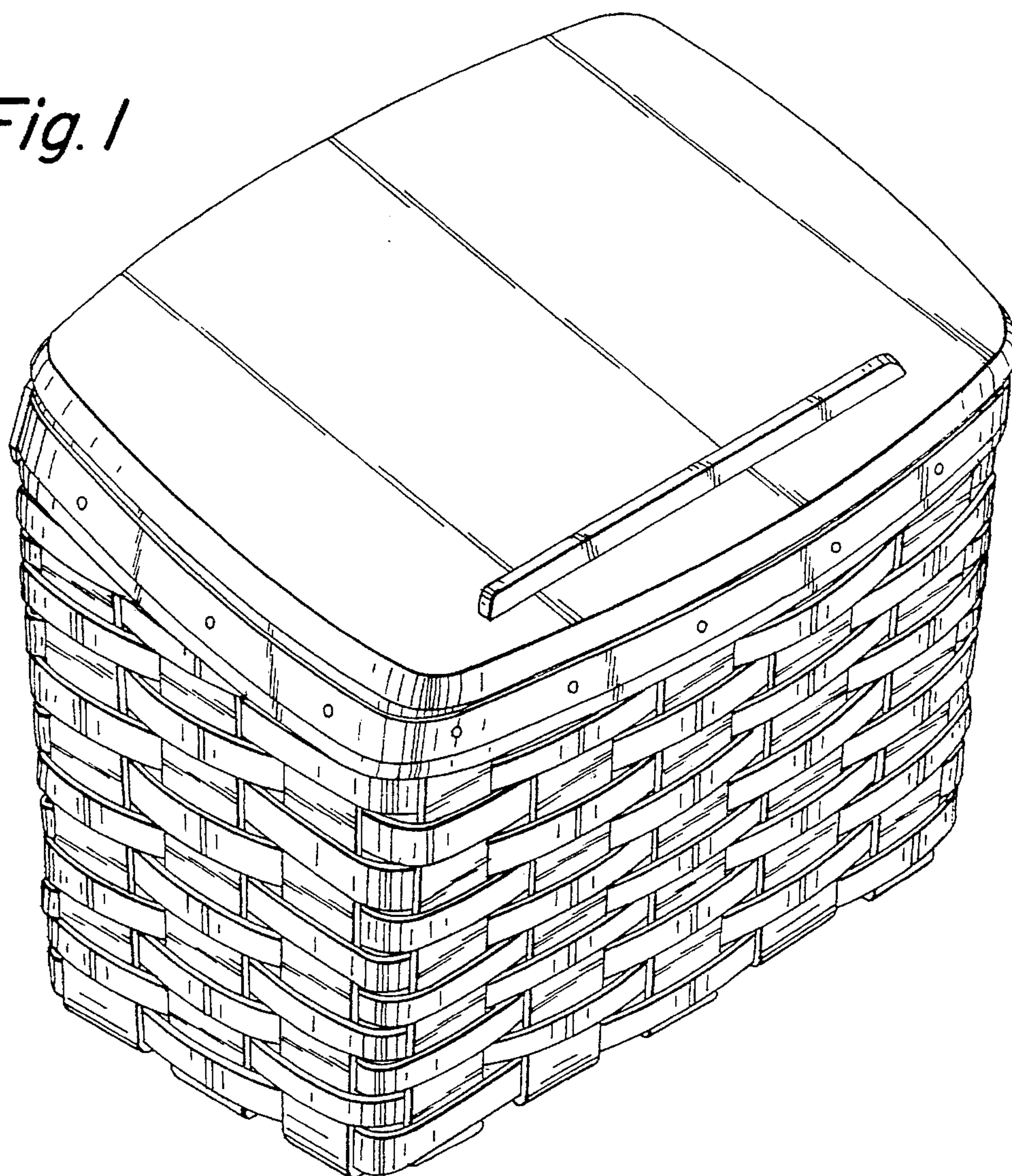
**DESCRIPTION**

FIG. 1 is a perspective view of the wooden basket with removable cover showing my new design;  
FIG. 2 is a top view thereof;  
FIG. 3 is a front view thereof;  
FIG. 4 is a rear view thereof;  
FIG. 5 is a left side view thereof, the right side view being a mirror image thereof;  
FIG. 6 is a bottom view thereof;  
FIG. 7 is an exploded perspective view thereof;  
FIG. 8 is a perspective view of another embodiment of the wooden basket with removable cover;  
FIG. 9 is a top view thereof;  
FIG. 10 is a front view thereof;  
FIG. 11 is a rear view thereof;  
FIG. 12 is a left side view thereof, the right side view being a mirror image thereof;  
FIG. 13 is a bottom view thereof; and,  
FIG. 14 is an exploded perspective view thereof.

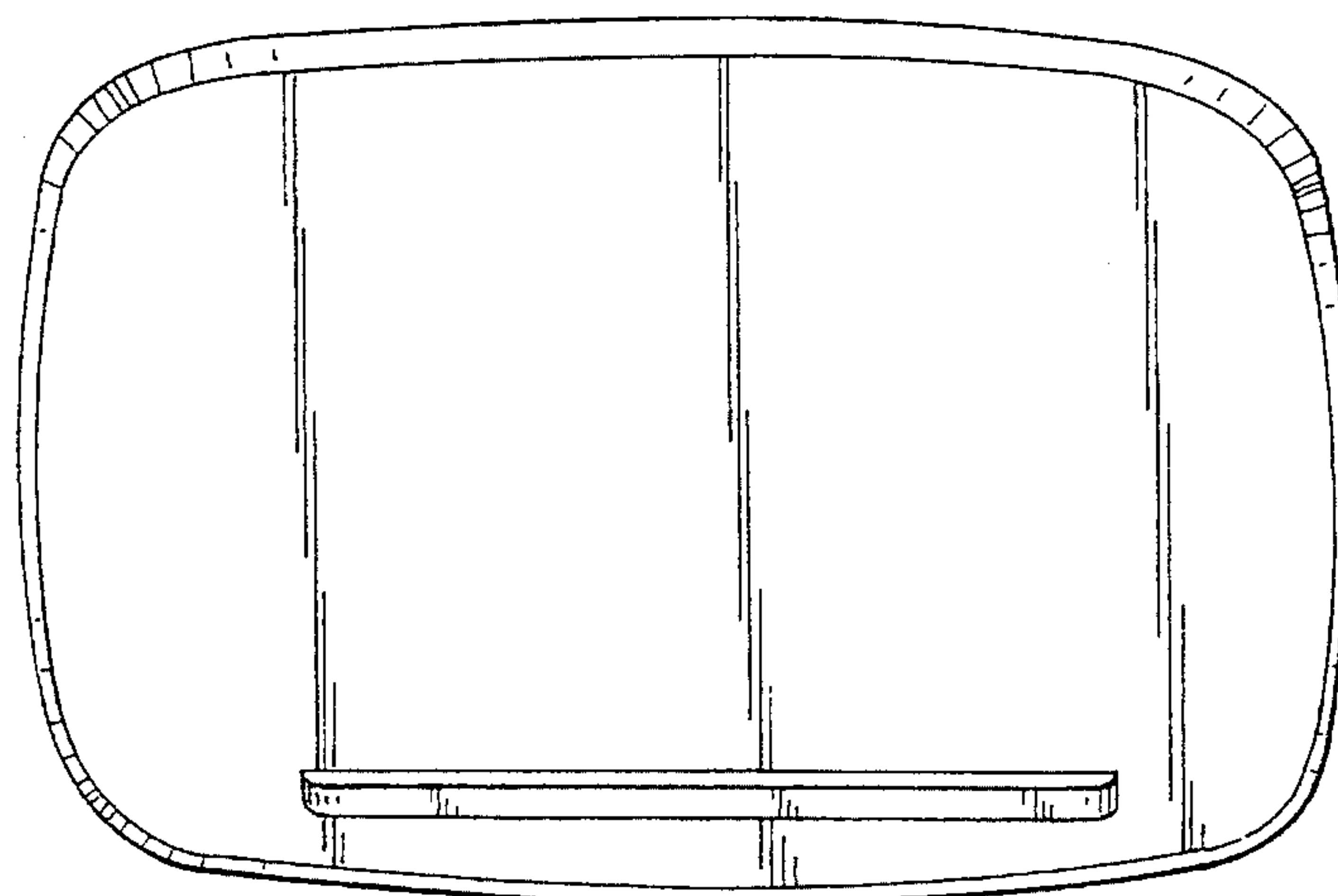
**1 Claim, 8 Drawing Sheets**



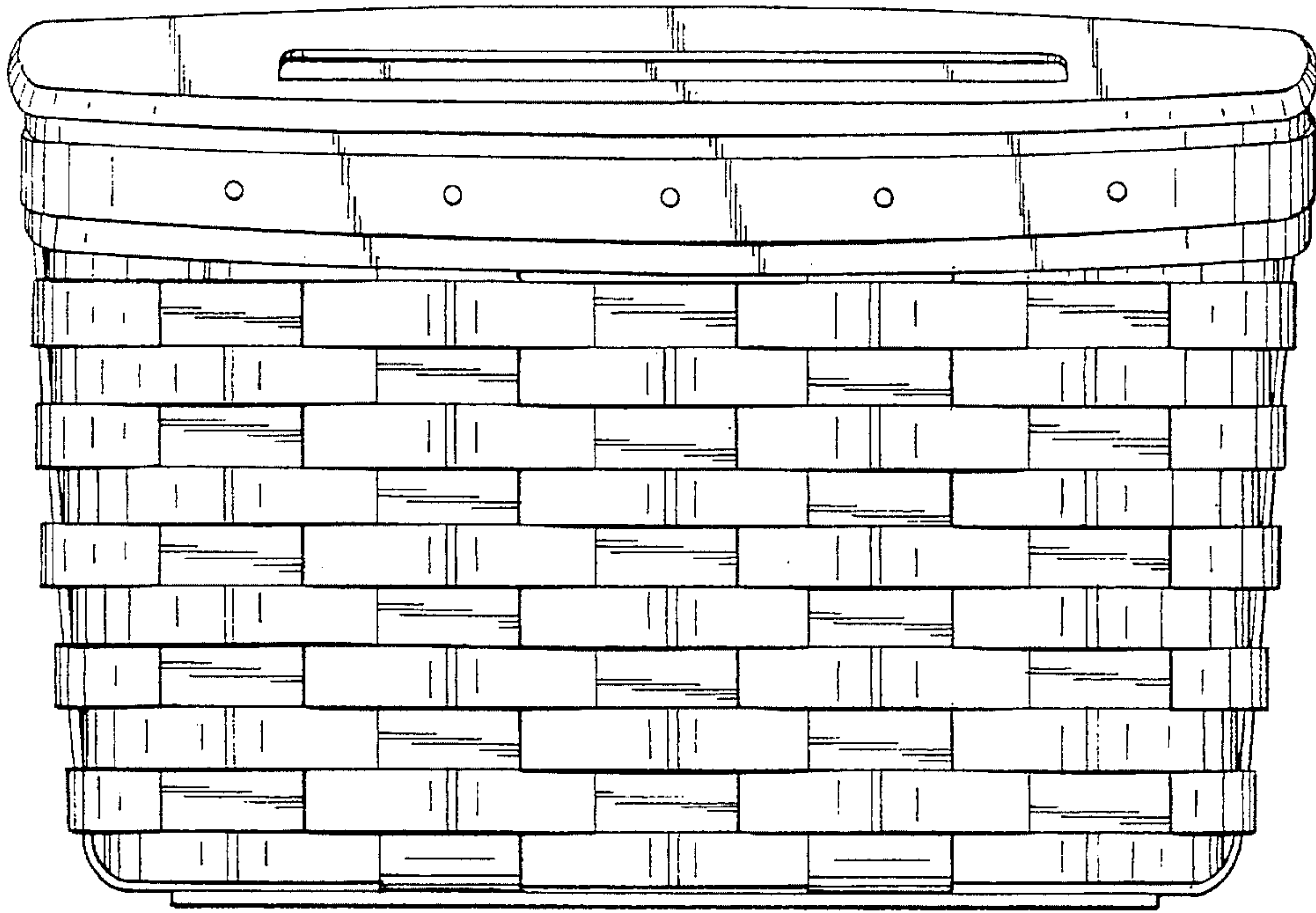
*Fig. 1*



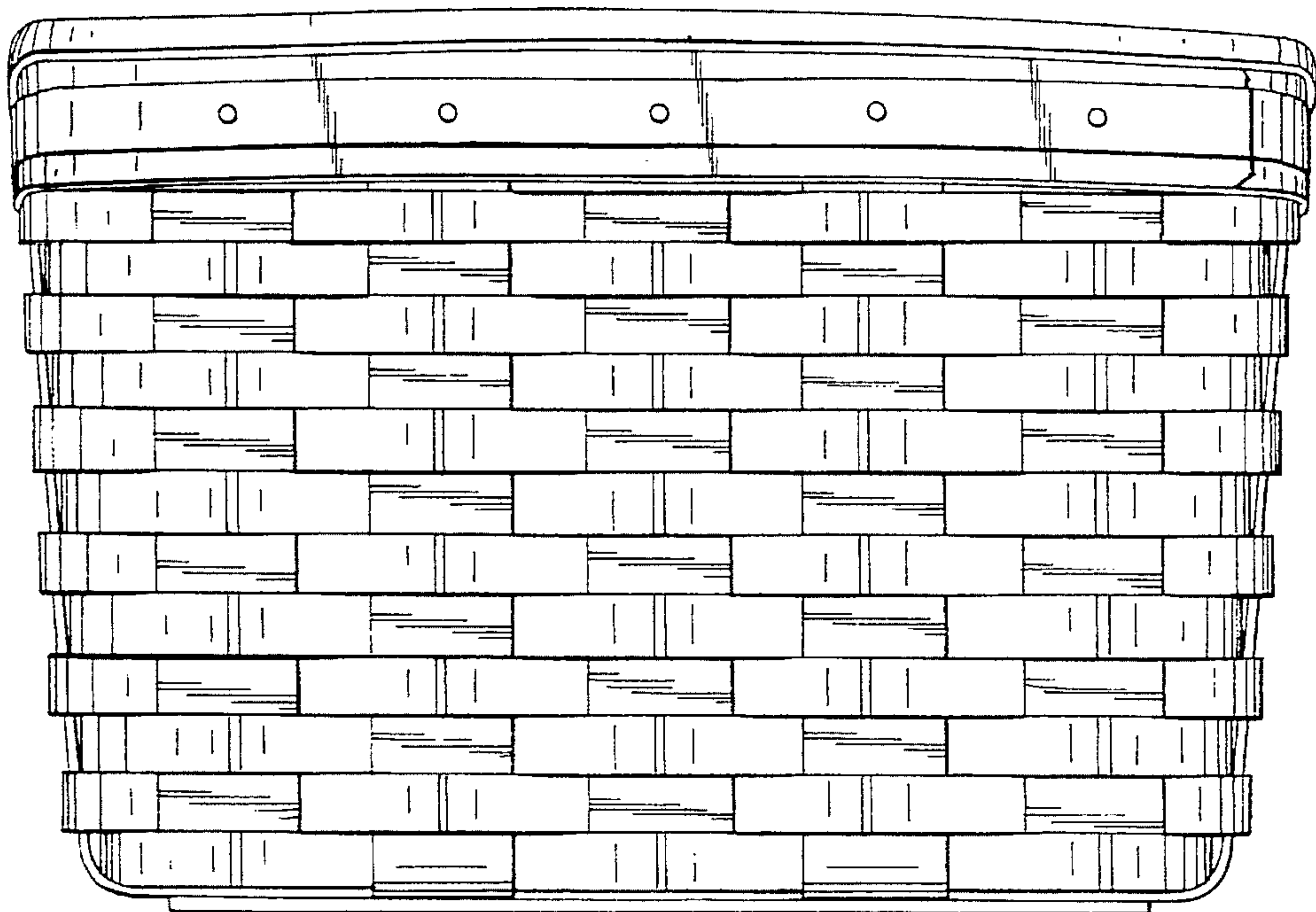
*Fig. 2*





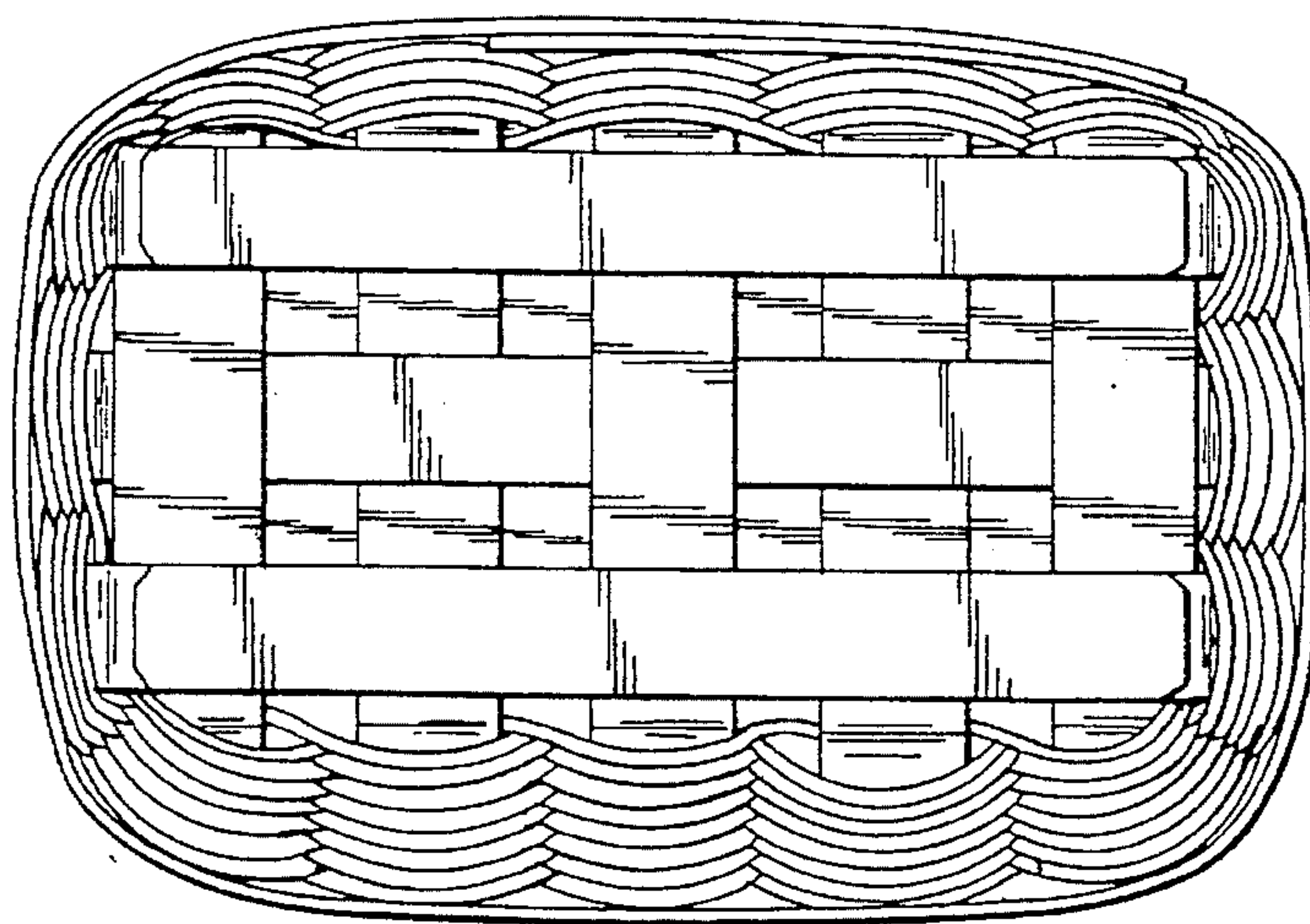
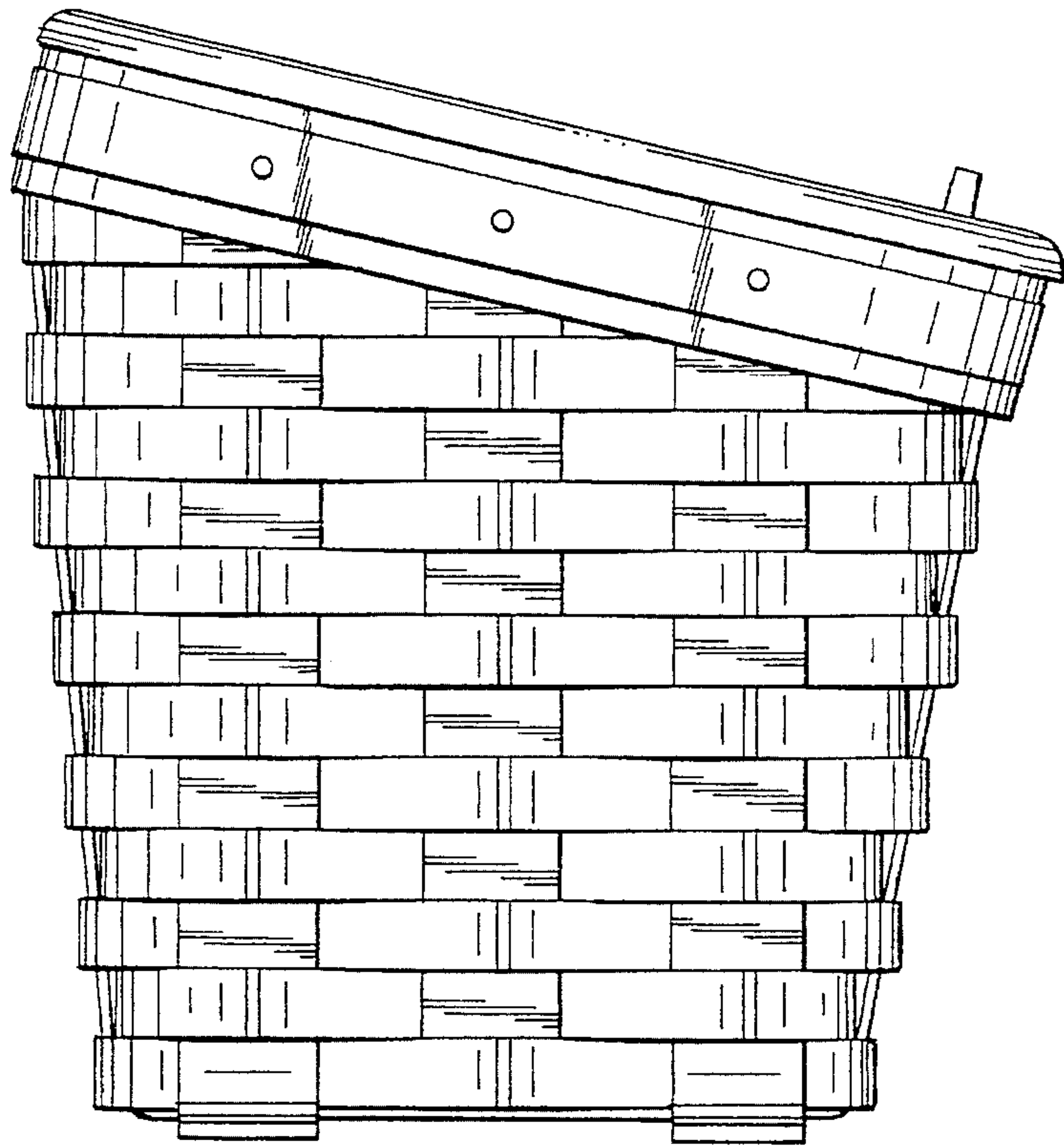


*Fig. 3*



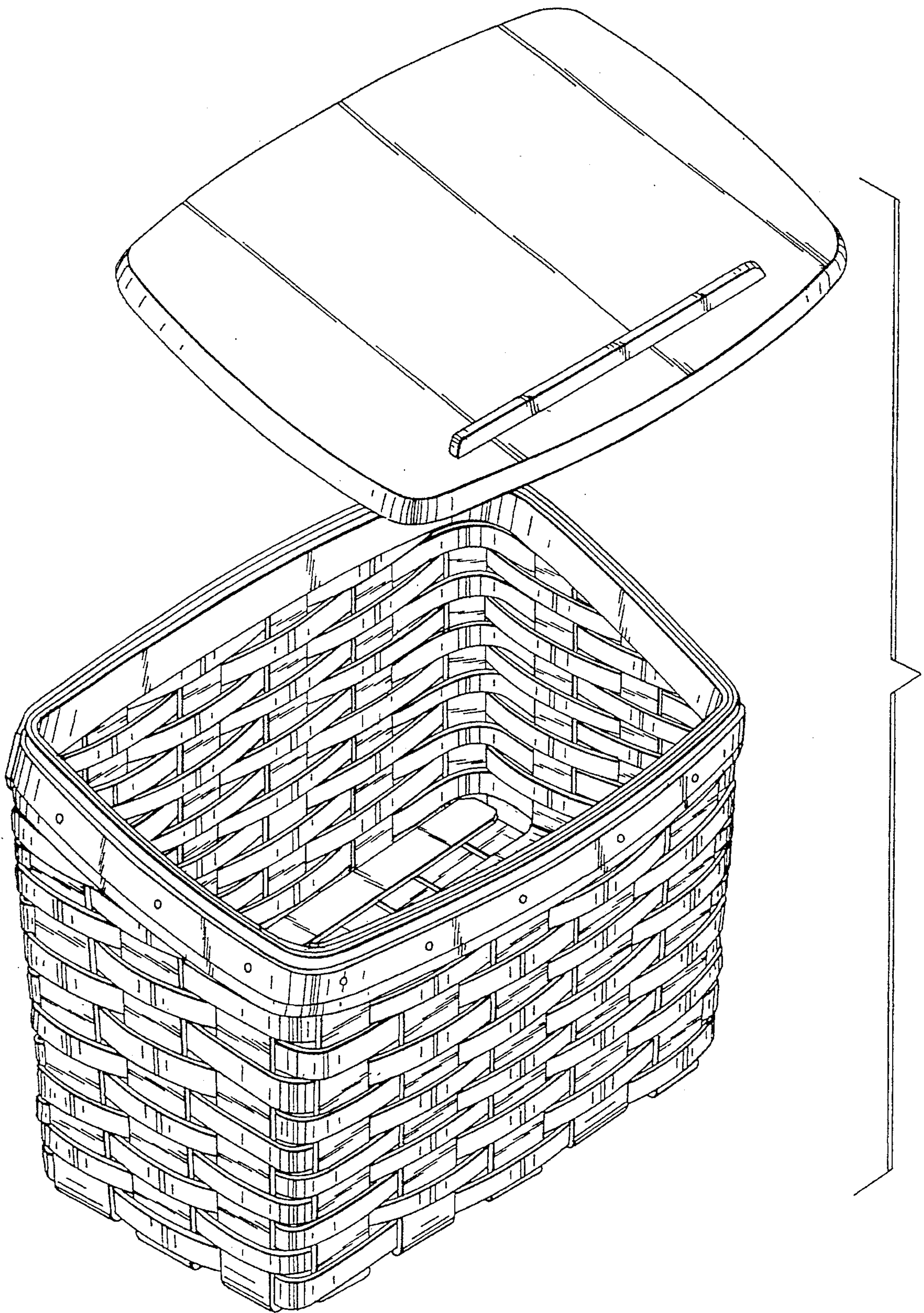
*Fig. 4*

*Fig. 5*



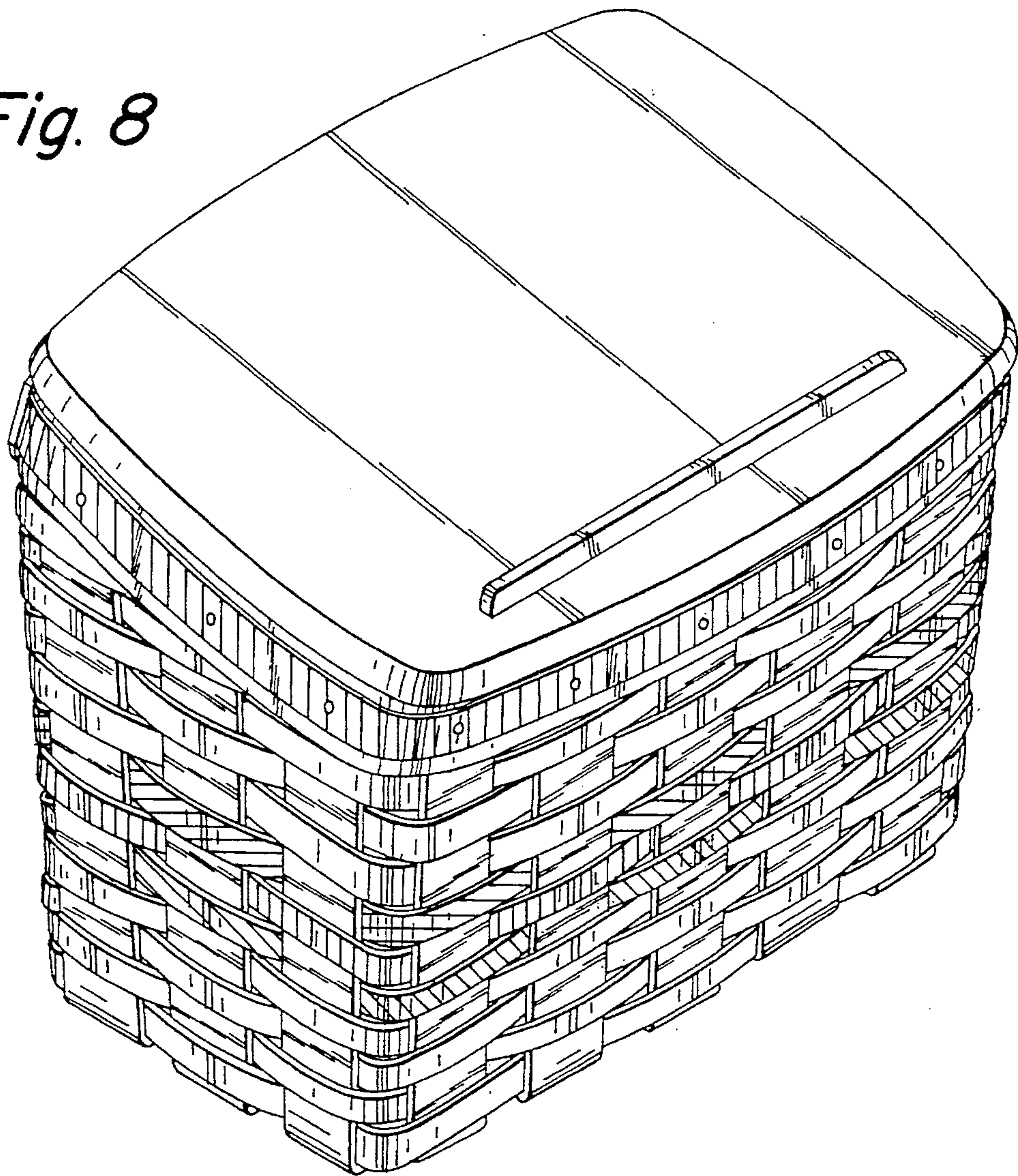
*Fig. 6*



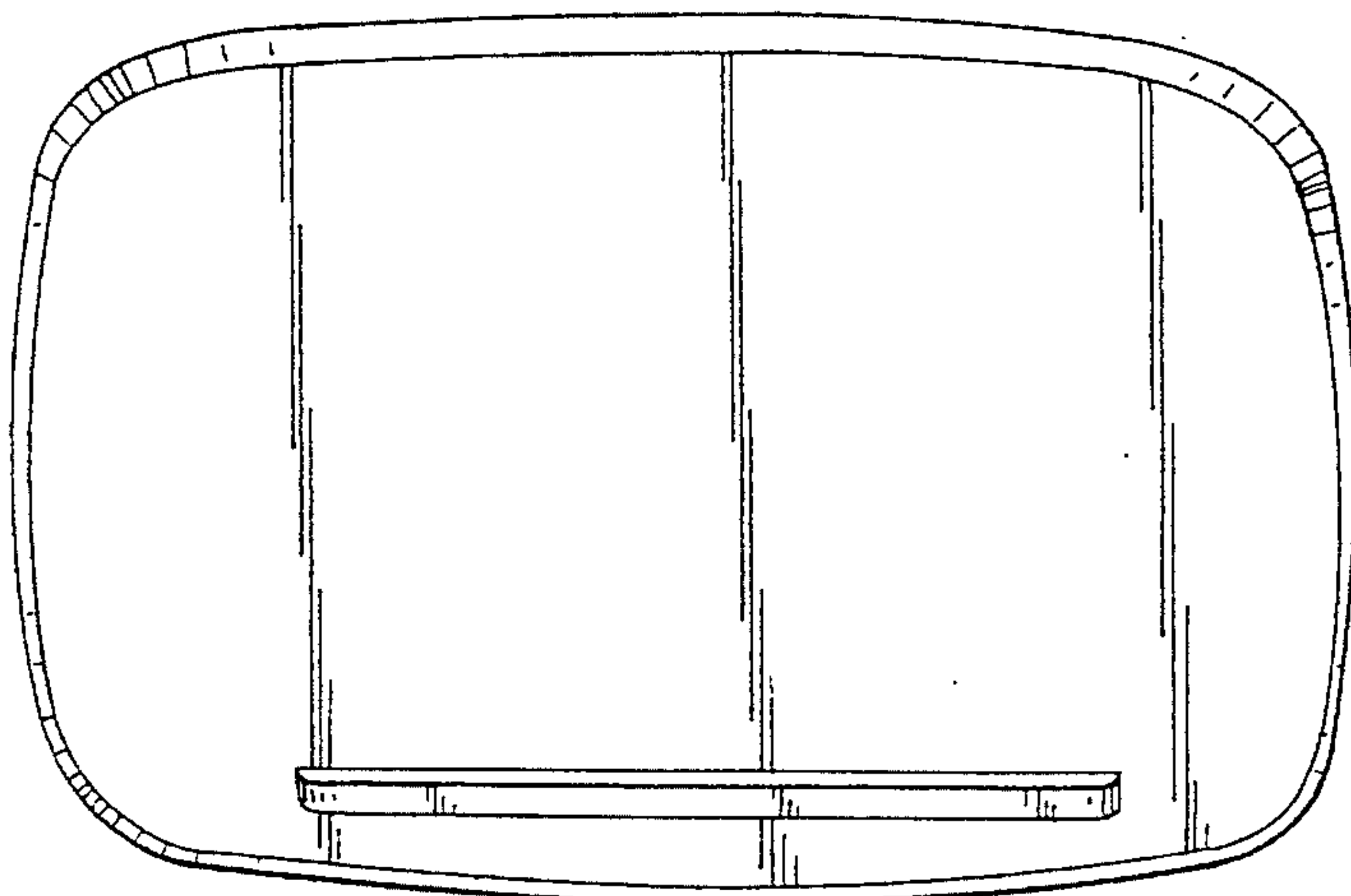


*Fig. 7*

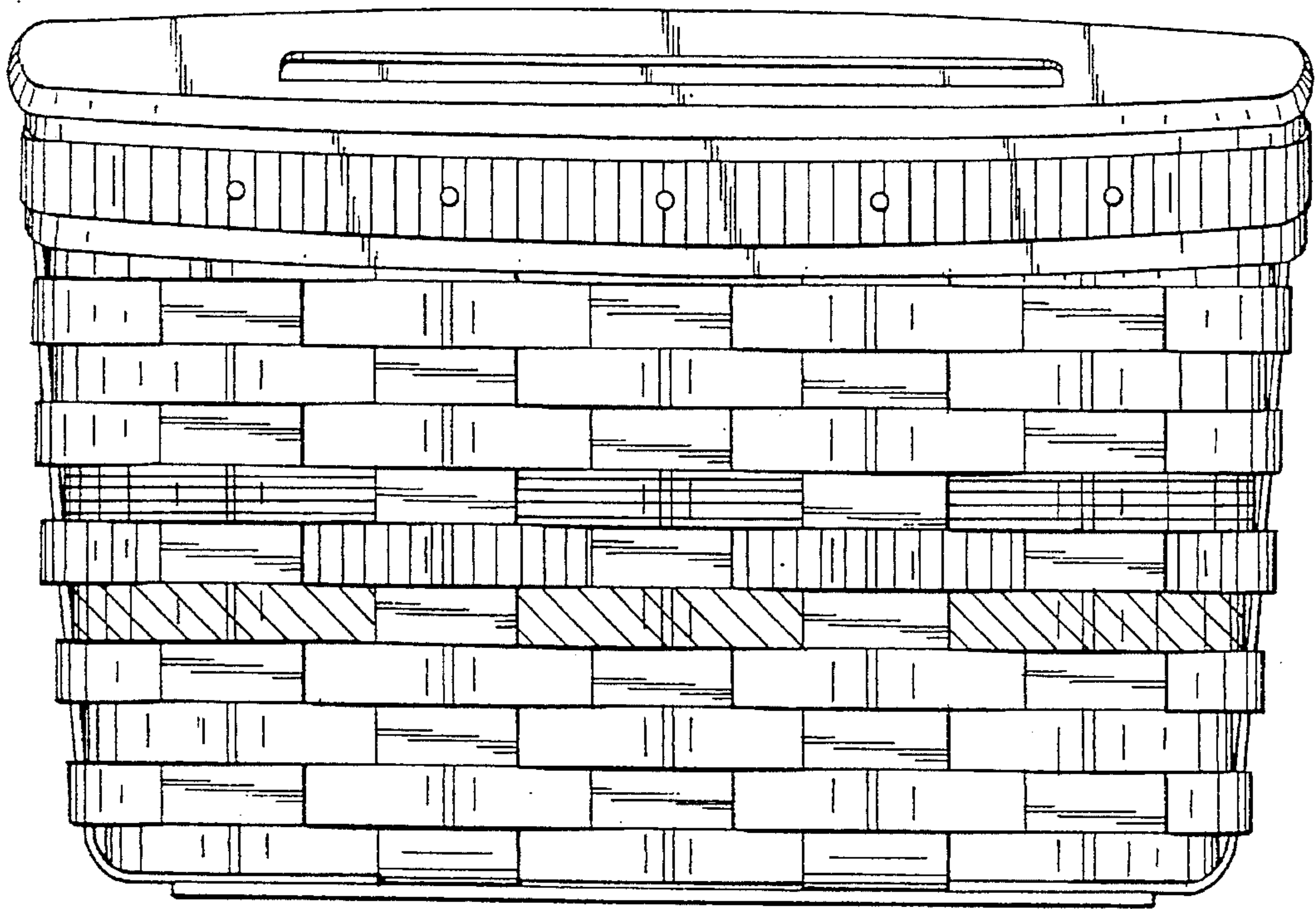
*Fig. 8*



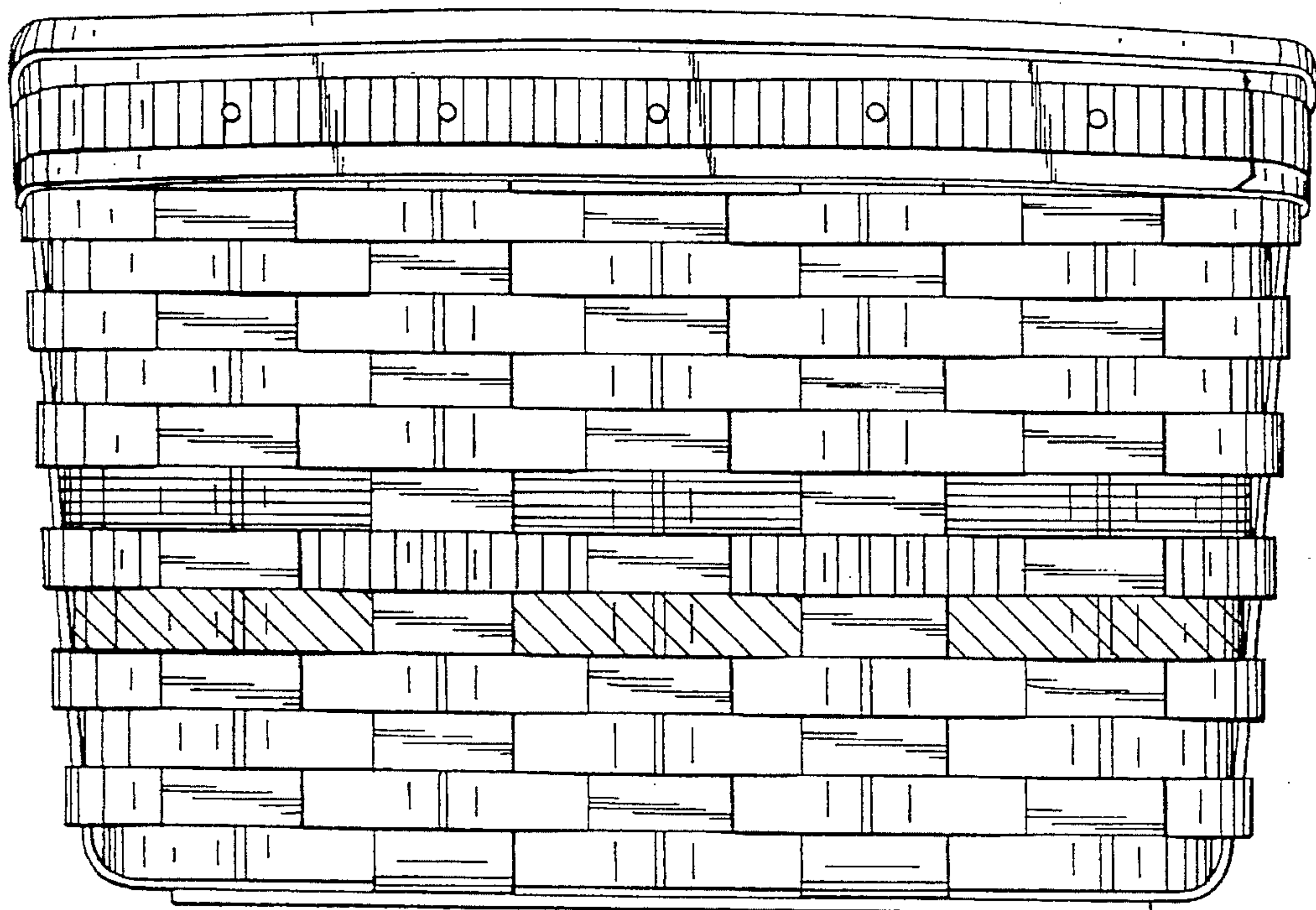
*Fig. 9*





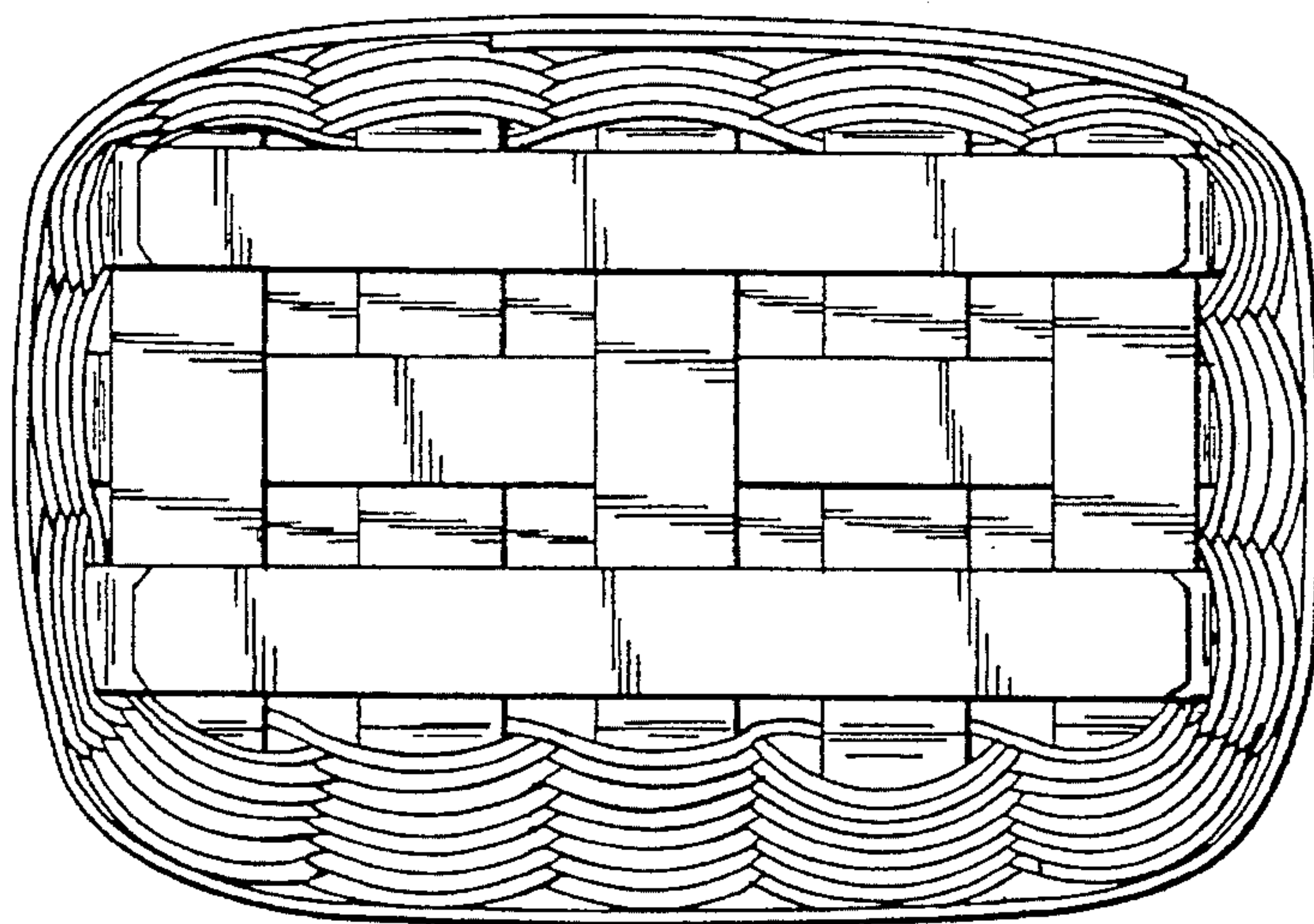
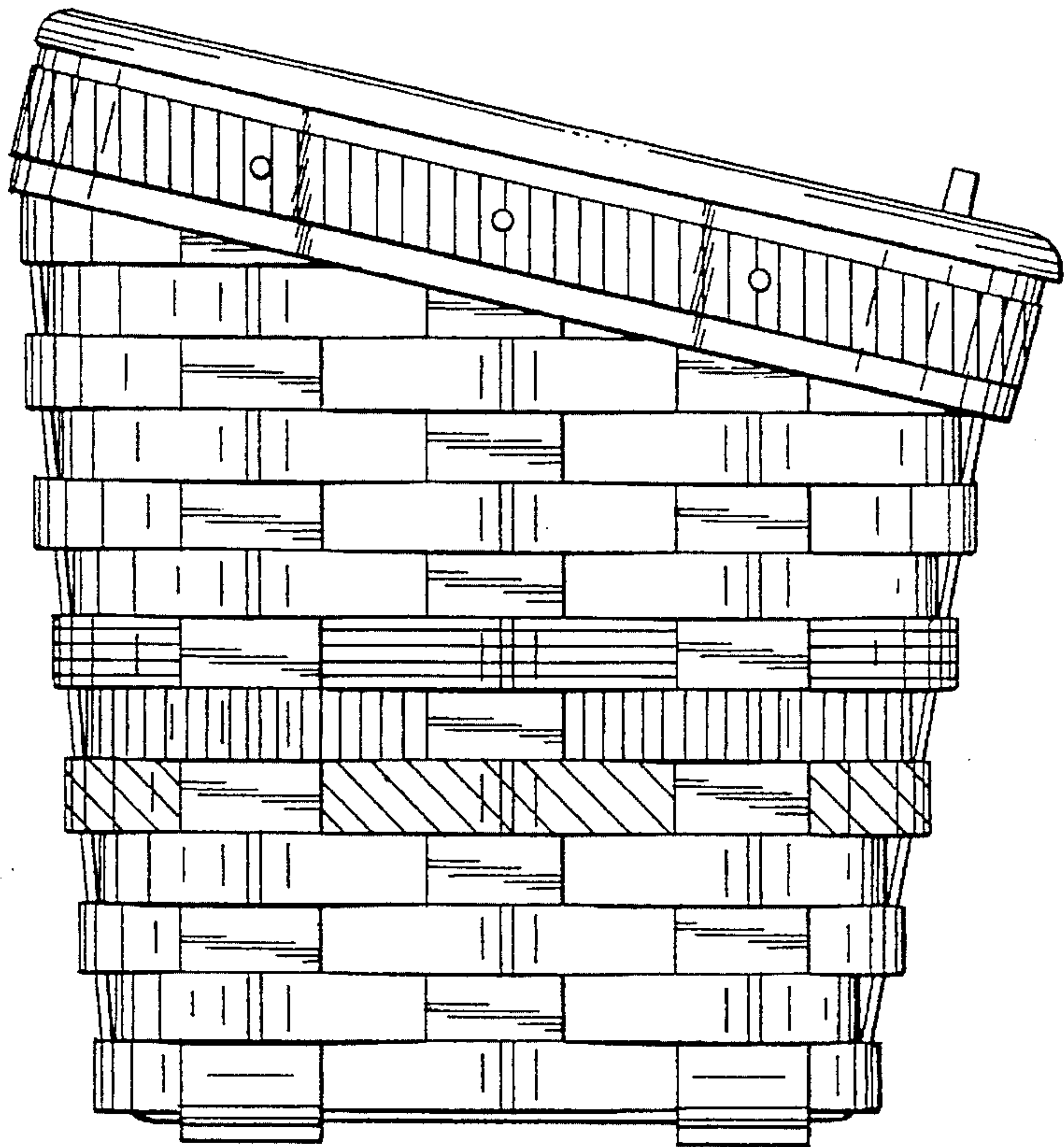


*Fig. 10*



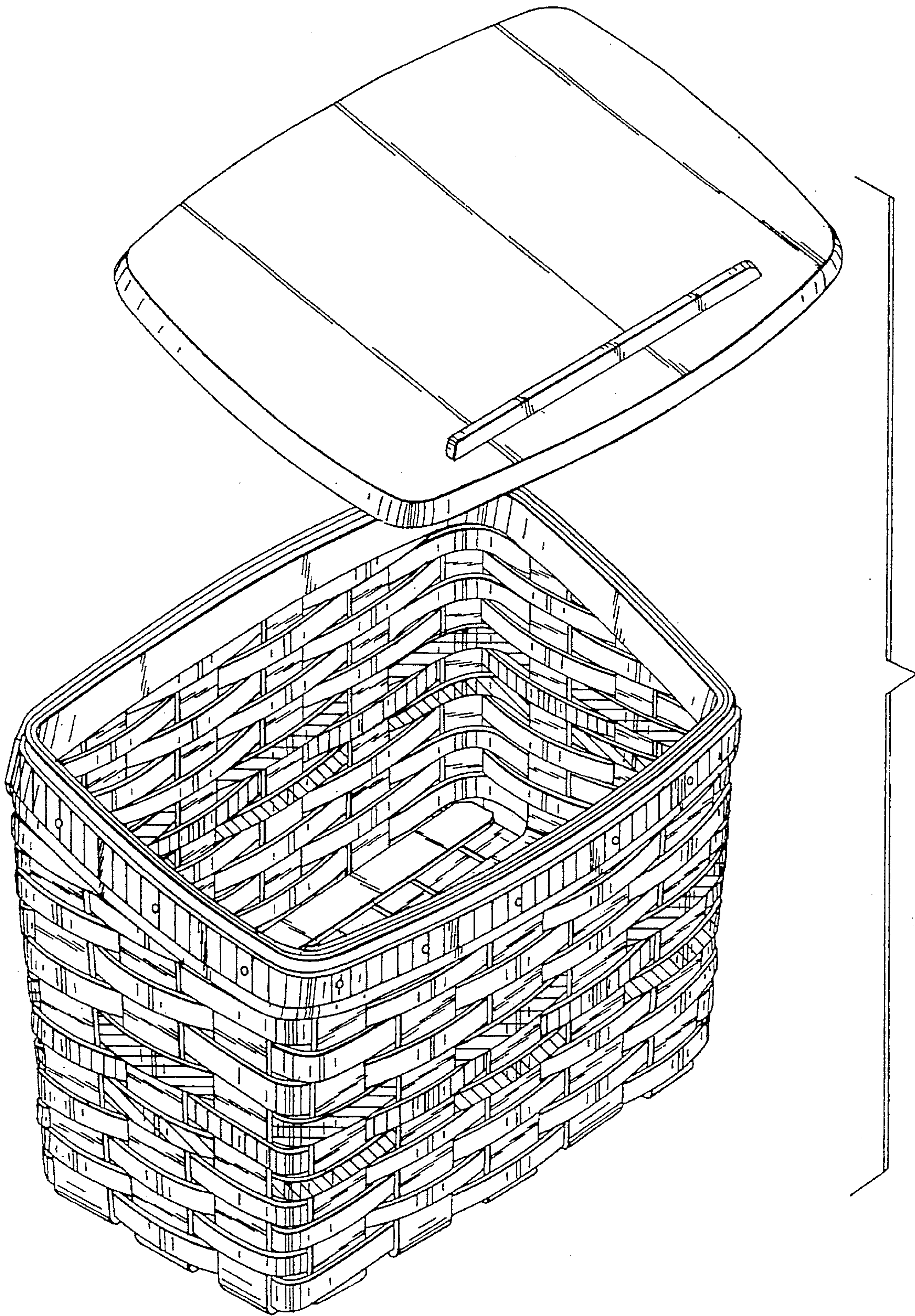
*Fig. 11*

*Fig. 12*



*Fig. 13*





*Fig. 14*