



US00D365204S

United States Patent [19]
Chen

[11] **Patent Number:** **Des. 365,204**
[45] **Date of Patent:** ****Dec. 19, 1995**

[54] **NECK PACK ORGANIZER**

[76] Inventor: **Steve S. Chen**, 1245 Fulton Pl.,
Fremont, Calif. 94539

[**] Term: **14 Years**

[21] Appl. No.: **9,616**

[22] Filed: **Jun. 16, 1993**

[52] U.S. Cl. **D3/215**; D3/226; D3/283;
D3/301

[58] **Field of Search** D3/215, 218, 219,
D3/224, 226, 227; D11/2, 216; D8/383;
24/115 K, 115 H; D9/446; 224/224, 235,
253, 207, 202, 205; 383/8, 16, 38, 41, 68,
69

[56] **References Cited**

U.S. PATENT DOCUMENTS

D. 89,545 3/1933 Jahncke D3/234
D. 251,478 4/1979 Boden D8/383
D. 251,545 4/1979 Boden D8/383
D. 252,355 7/1979 Uber D3/48

D. 253,196 10/1979 Harrie D2/400
D. 288,744 3/1987 Taylor D3/106
D. 344,015 2/1994 Jacobson D9/305

Primary Examiner—Lou Zarfaz
Assistant Examiner—Catherine R. Oliver
Attorney, Agent, or Firm—Jones, Tullar & Cooper

[57] **CLAIM**

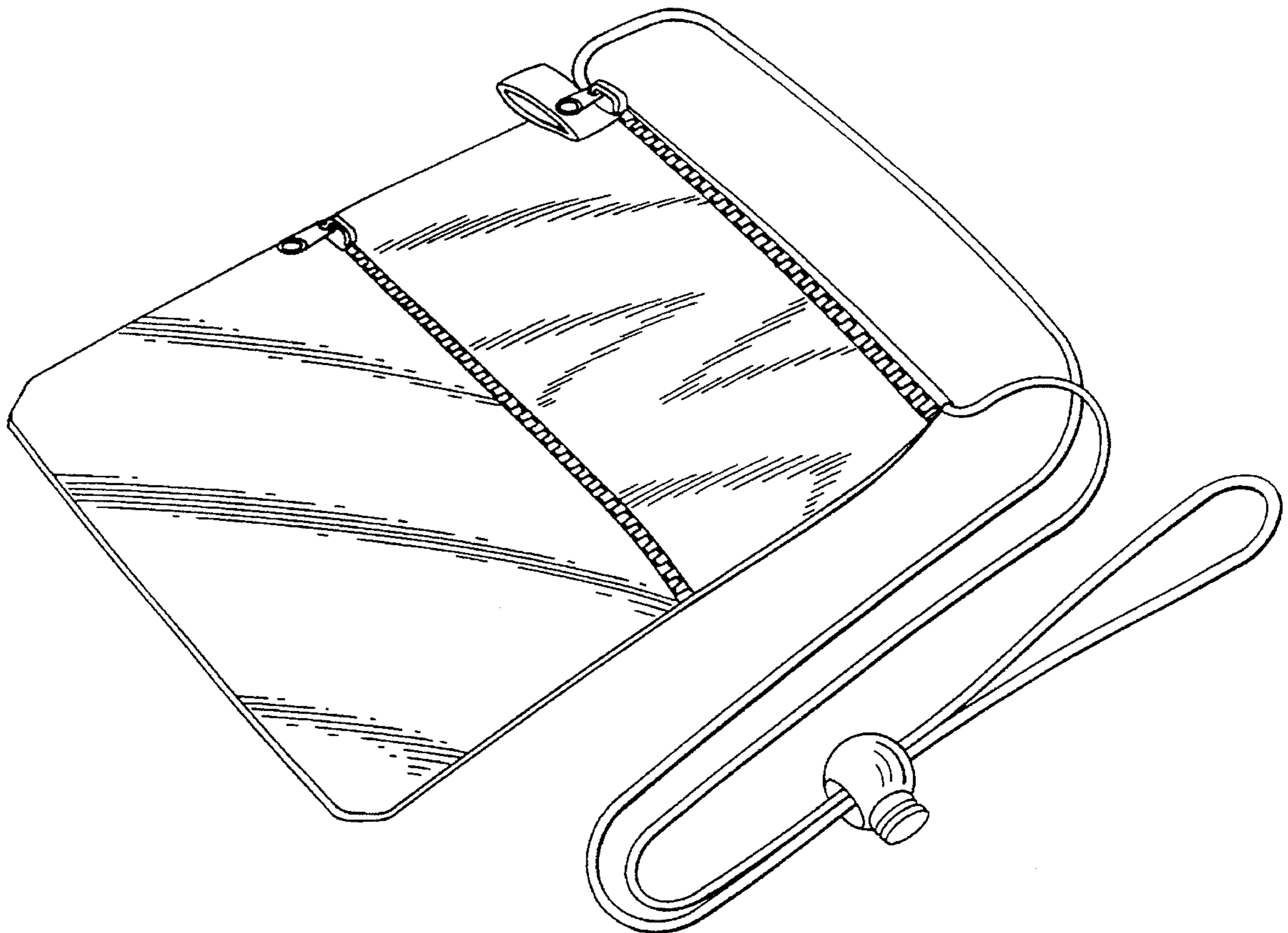
The ornamental design for a neck pack organizer, as shown and described.

DESCRIPTION

FIG. 1 is the front perspective view of a neck pack organizer showing my new design;
FIG. 2 is the front elevational view thereof;
FIG. 3 is the rear elevational view thereof;
FIG. 4 is the left side view thereof;
FIG. 5 is the right side view thereof;
FIG. 6 is the top plan view thereof; and,
FIG. 7 is the bottom view thereof.

In FIGS. 2-5, the neck cord has been cut away for the convenience of illustration.

1 Claim, 3 Drawing Sheets



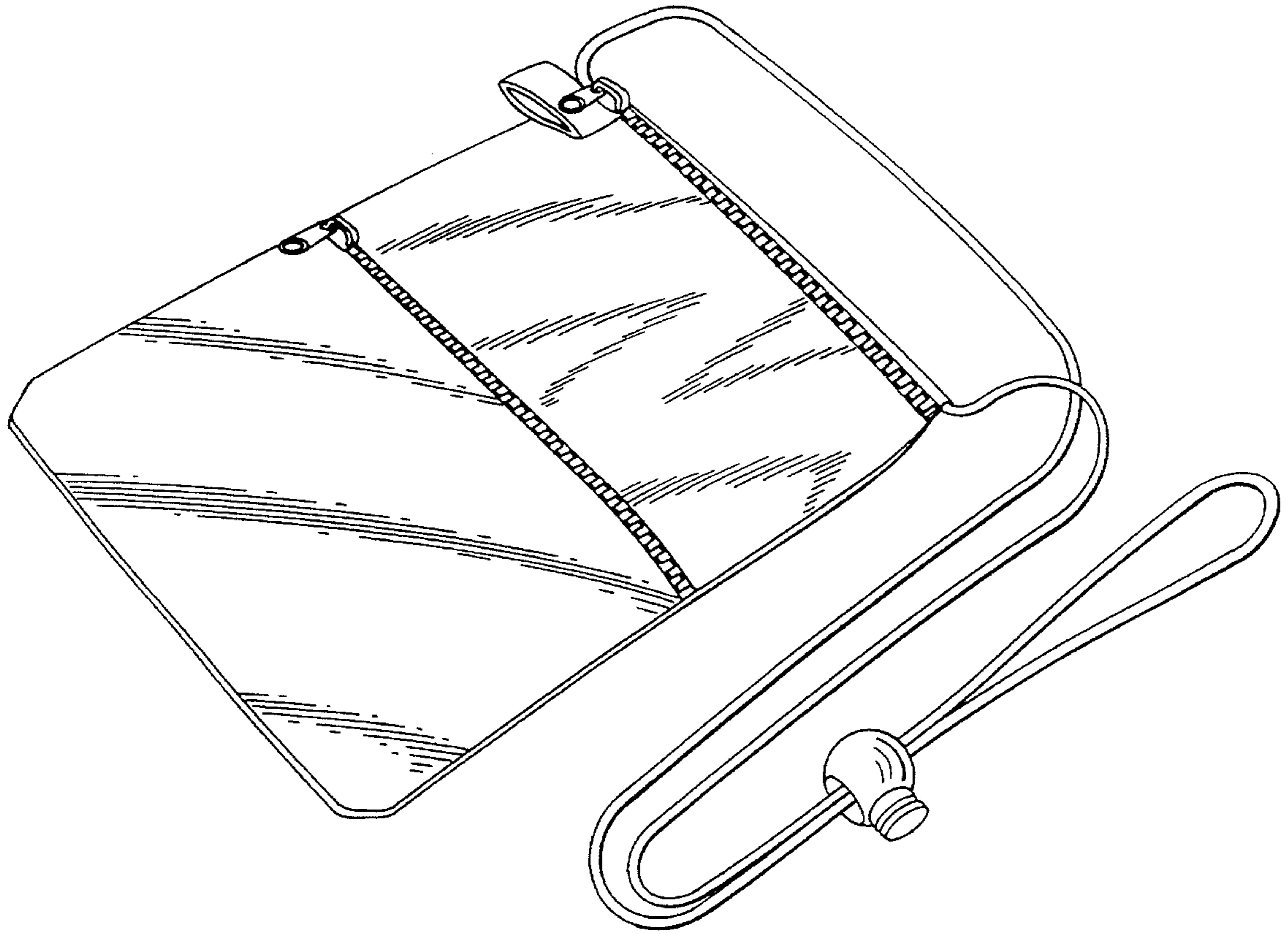


FIG. 1

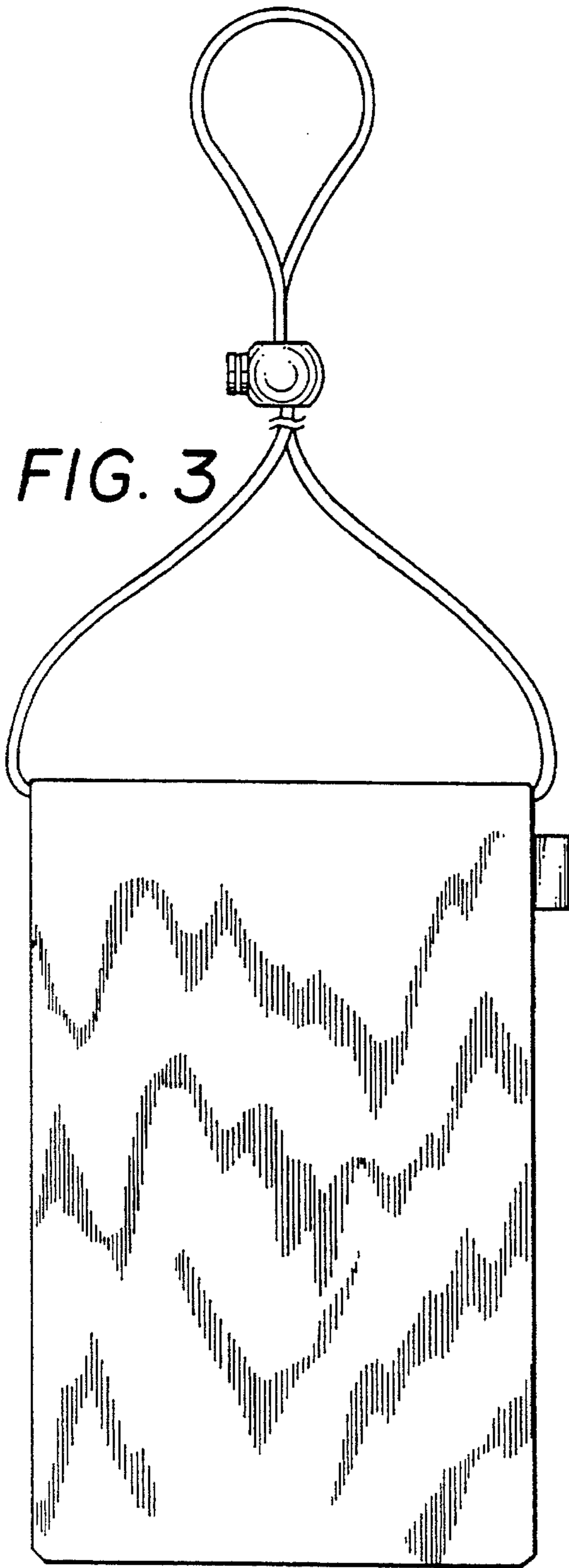


FIG. 3

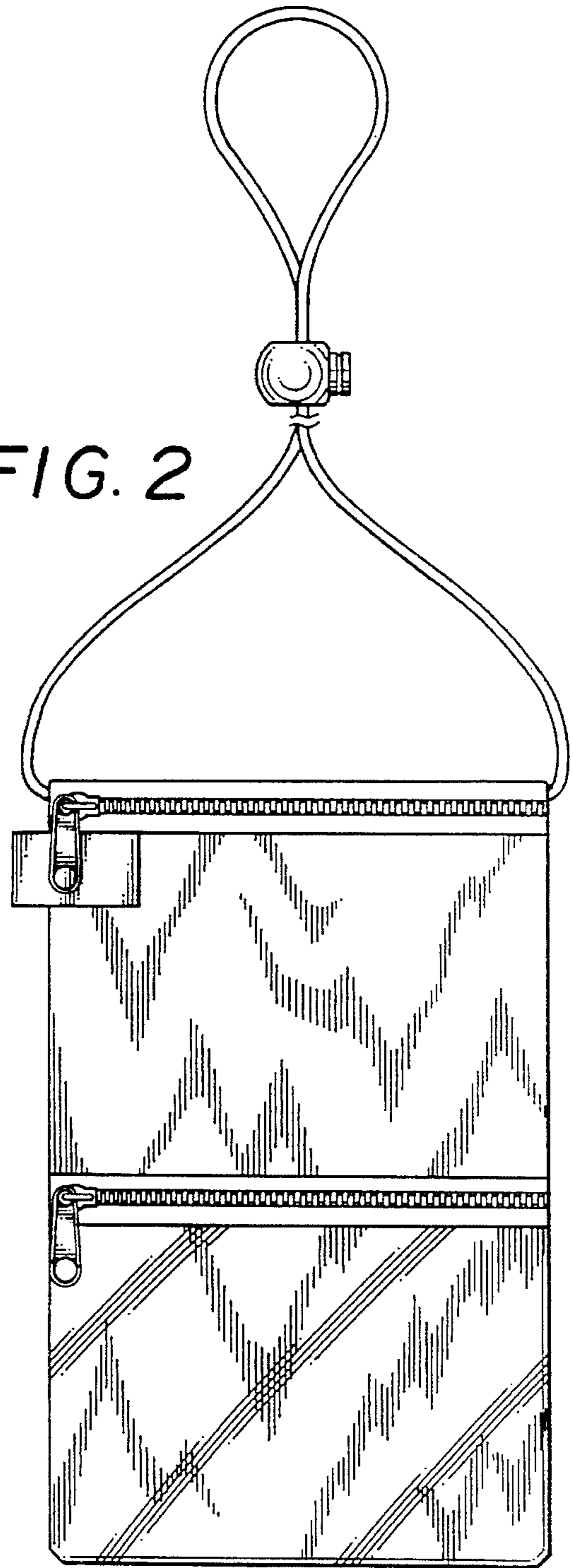


FIG. 2

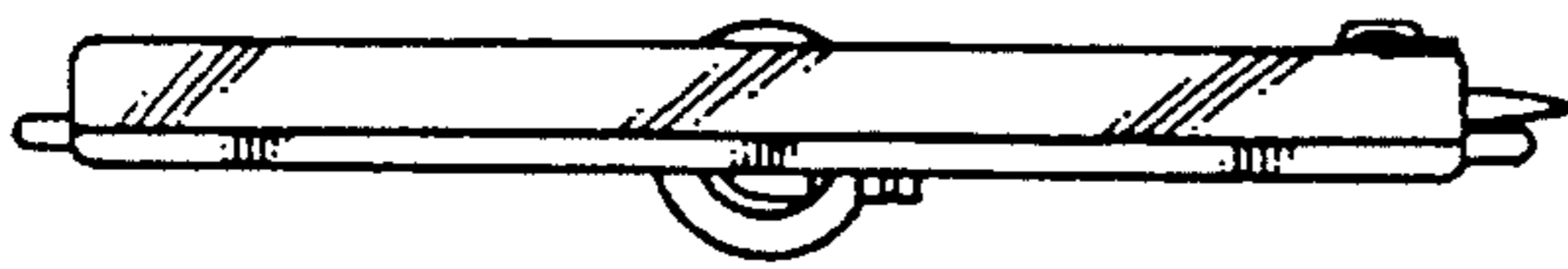


FIG. 7



FIG. 6

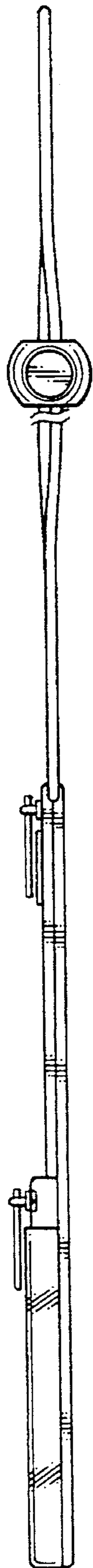


FIG. 5

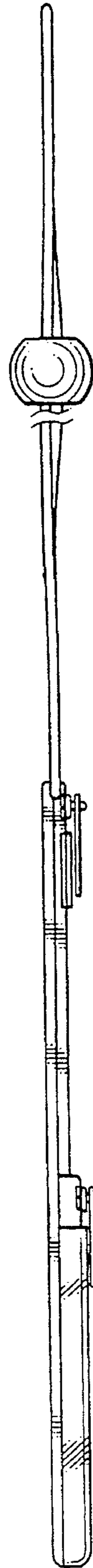


FIG. 4