



US00D365189S

# United States Patent [19]

[11] Patent Number: **Des. 365,189**

**Dennis**

[45] Date of Patent: **\*\*Dec. 12, 1995**

[54] MAILBOX INSERT SLEEVE

*Primary Examiner*—Martie Thompson  
*Attorney, Agent, or Firm*—Terry M. Gernstein

[76] Inventor: **James Dennis**, 5 Perry Country Club,  
De Quoin, Ill. 62832

[57] **CLAIM**

[\*\*] Term: **14 Years**

The ornamental design for a mailbox insert sleeve, as shown and described.

[21] Appl. No.: **17,928**

### DESCRIPTION

[22] Filed: **Jan. 26, 1994**

[52] U.S. Cl. .... **D99/29; D99/99**

[58] Field of Search ..... **D99/29, 31, 32;**  
**232/7, 14, 34**

FIG. 1 is a front, top and side perspective view of the mailbox insert sleeve showing my new design;

FIG. 2 is a front elevational view thereof;

FIG. 3 is a rear elevational view thereof;

FIG. 4 is a side elevational view thereof, the side opposite being a mirror image of the side shown in FIG. 4;

FIG. 5 is a top plan view thereof; and,

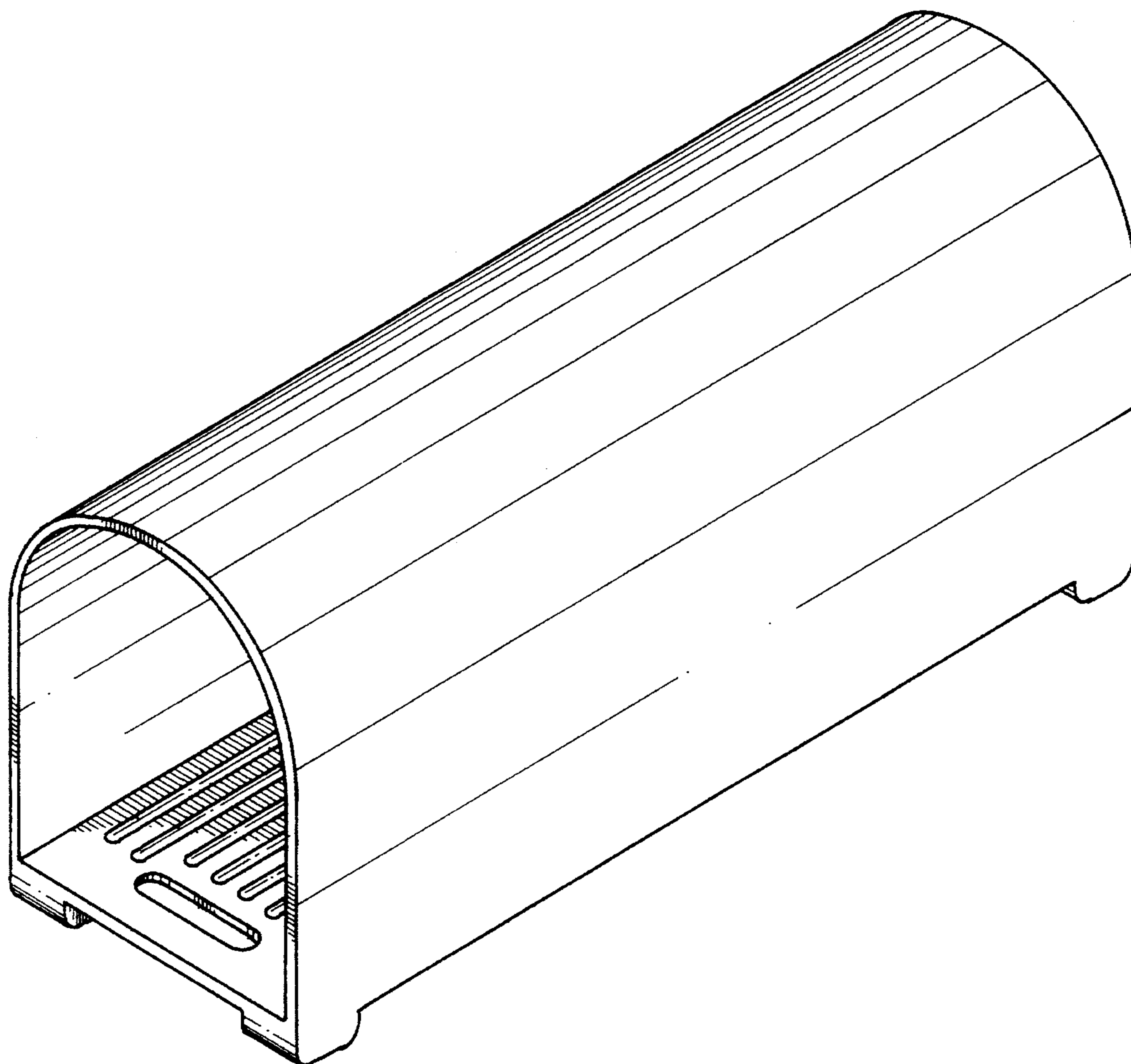
FIG. 6 is a bottom plan view thereof.

### [56] References Cited

#### U.S. PATENT DOCUMENTS

- D. 292,539 10/1987 Harlow .
- 4,600,143 7/1986 Harlow, Jr. et al. .
- 4,932,587 6/1990 Robbins .
- 5,009,366 4/1991 van Druff .

**1 Claim, 4 Drawing Sheets**



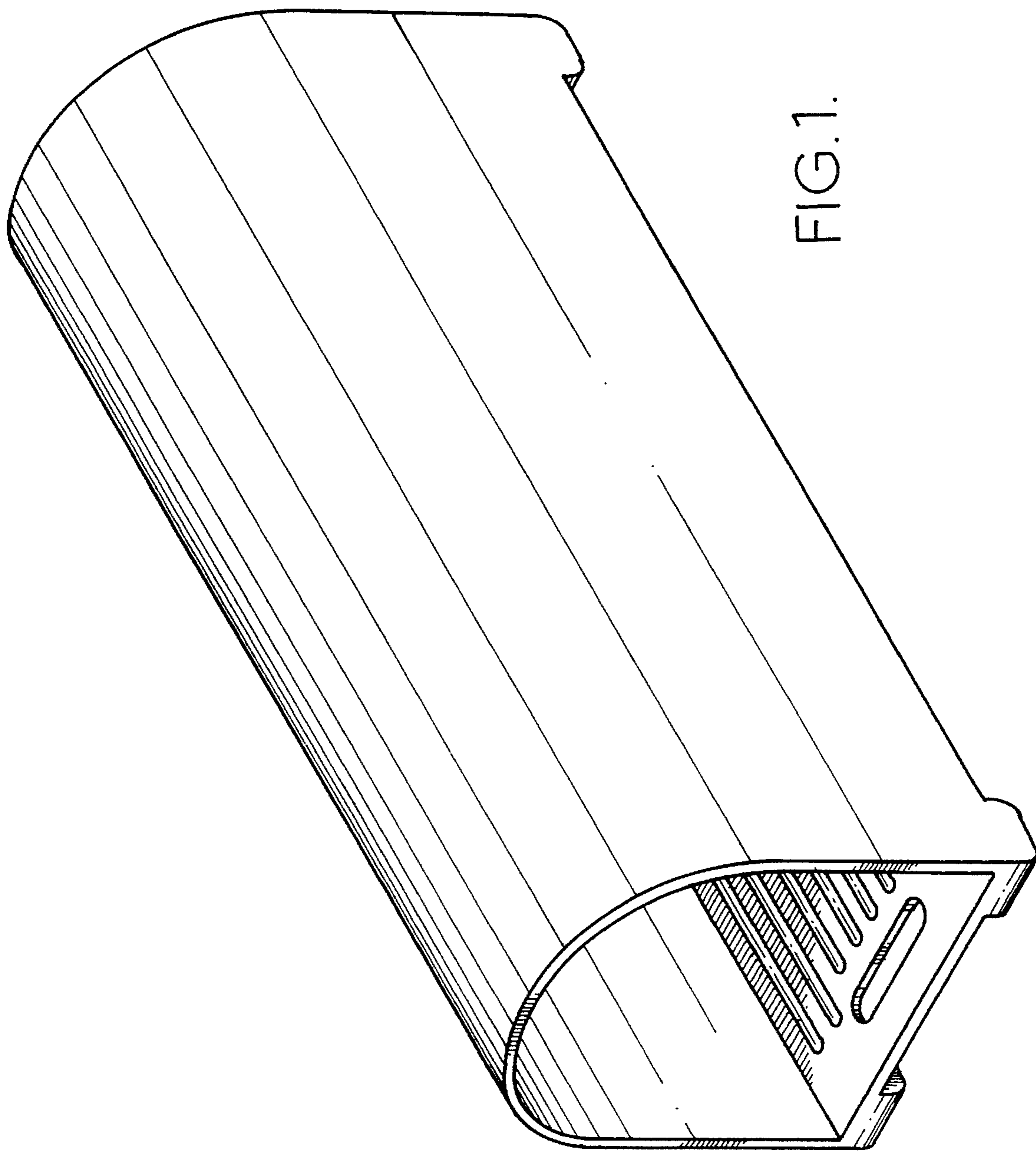


FIG. 1.

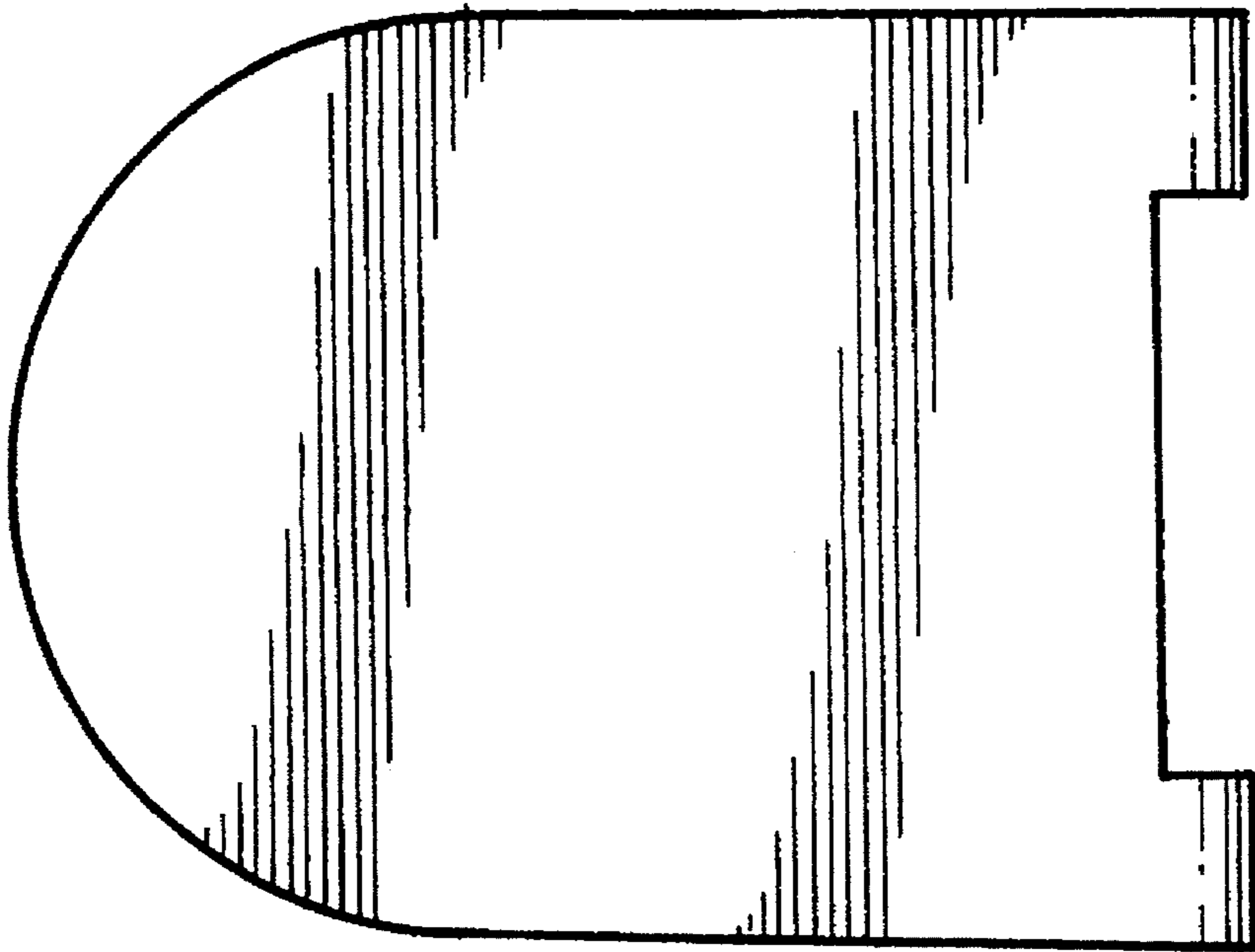


FIG. 2.

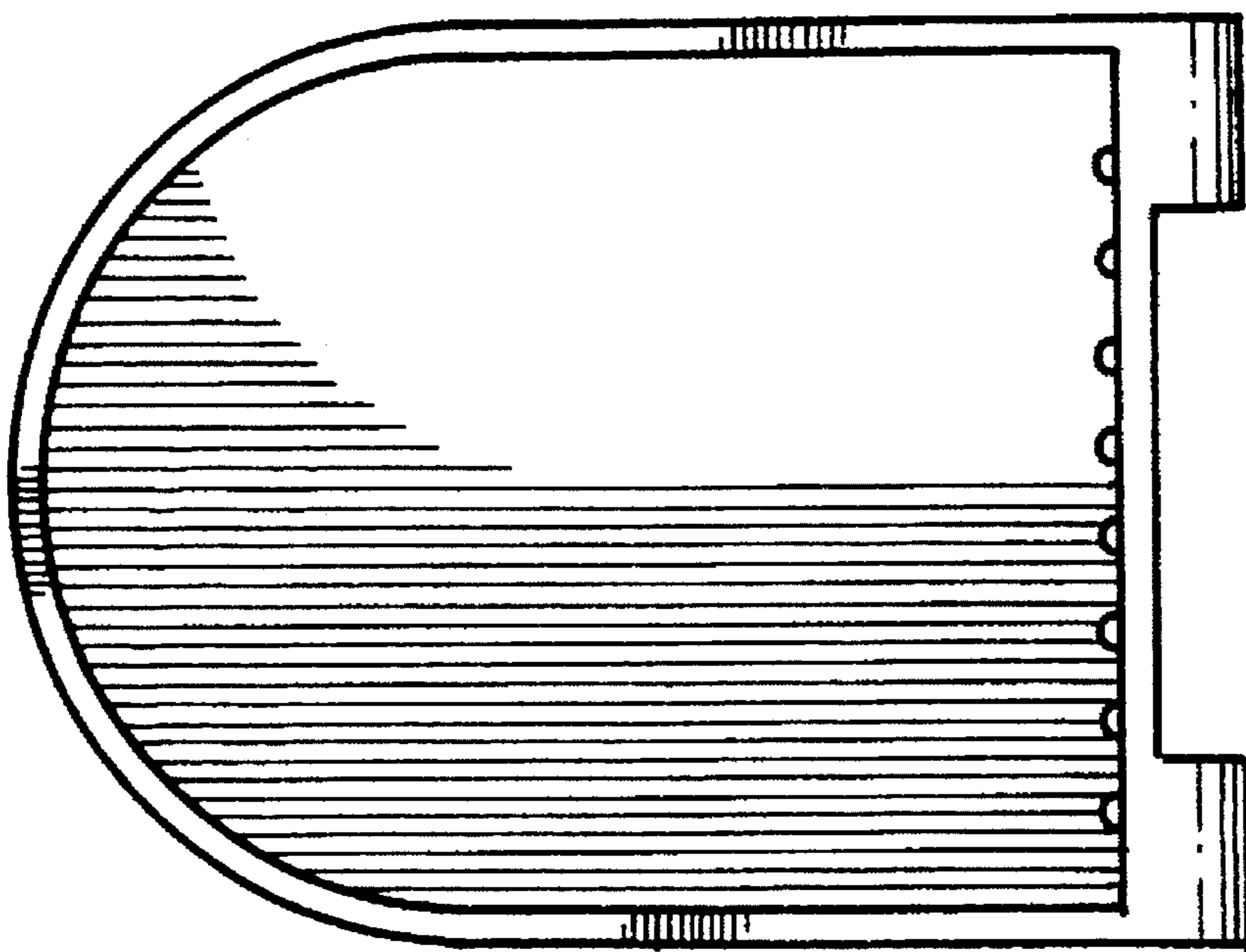


FIG. 3.

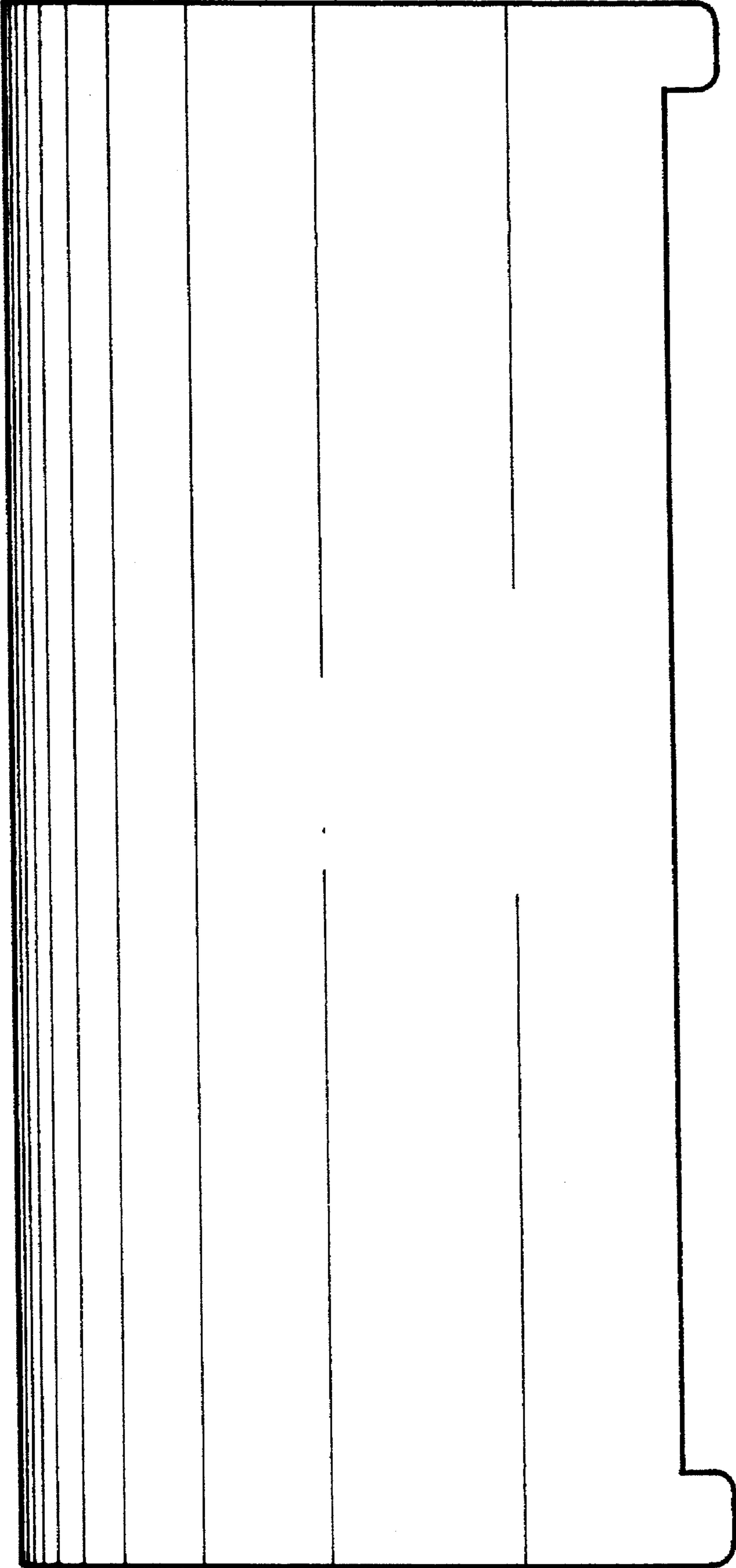


FIG. 4.

FIG. 5.

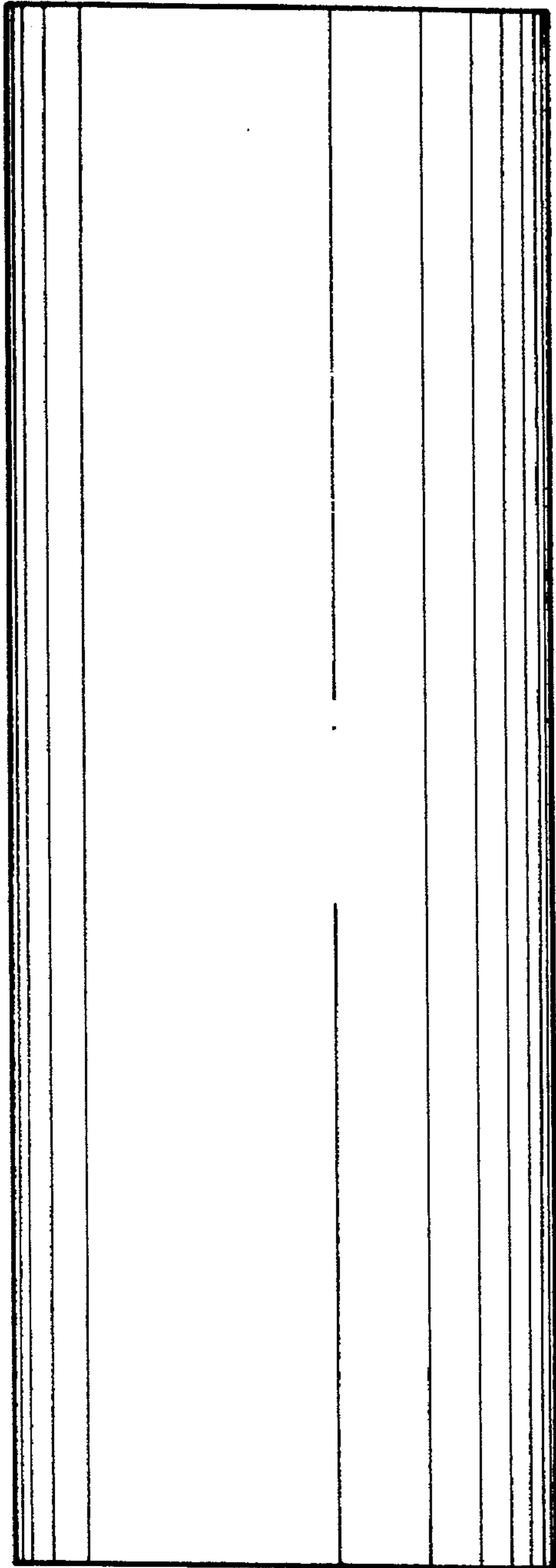


FIG. 6.

