



US00D365188S

United States Patent [19]

[11] Patent Number: **Des. 365,188**

Thayer et al.

[45] Date of Patent: ***** Dec. 12, 1995**

- [54] **KIOSK**
- [75] Inventors: **Michael B. Thayer**, Rochester;
Timothy R. Seely, Bergen; **Heather E. Wachter**, North Chili, all of N.Y.
- [73] Assignee: **Factura Composites Inc.**, East Rochester, N.Y.
- [*] Notice: The portion of the term of this patent subsequent to Sep. 19, 2009, has been disclaimed.
- [**] Term: **14 Years**
- [21] Appl. No.: **22,769**
- [22] Filed: **May 11, 1994**
- [52] U.S. Cl. **D99/28**
- [58] Field of Search D99/28, 43, 99;
D14/100, 105, 102, 106, 115; D20/1-6;
109/24.1; 235/379, 380, 381

- D. 327,766 7/1992 Swaine et al. D99/28
- D. 336,716 6/1993 Bell et al. D99/28
- 4,510,381 4/1985 Fukatsu 235/379
- 5,017,026 5/1991 Takesako et al. 400/24

Primary Examiner—Martie Thompson
Attorney, Agent, or Firm—M. Lukacher

[57] CLAIM

The ornamental design for a kiosk, as shown and described.

DESCRIPTION

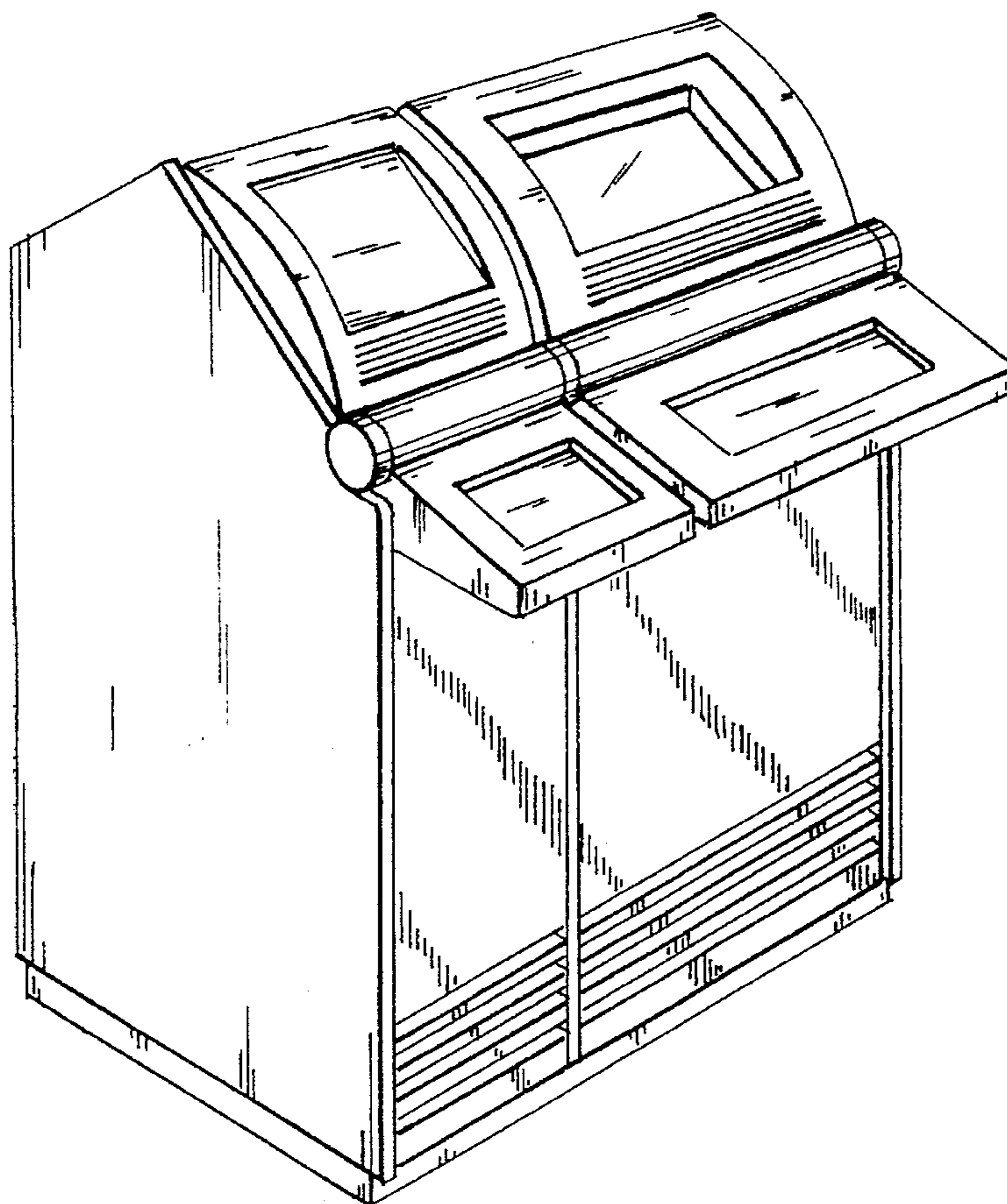
FIG. 1 is a front and left side perspective view of a kiosk showing the new design;
 FIG. 2 is a front elevational view;
 FIG. 3 is a right side elevational view;
 FIG. 4 is a left side elevational view;
 FIG. 5 is a rear elevational view;
 FIG. 6 is a top plan view;
 FIG. 7 is a bottom plan view;
 FIG. 8 is a front and left side perspective view of a second embodiment, the opposite side being a mirror image; the rear and bottom view are the same as the first embodiment, except as indicated in FIG. 8; and,
 FIG. 9 is a front and left side perspective view of a third embodiment, the opposite side being a mirror image; the rear and bottom views are the same as the first embodiment, except as indicated in FIG. 9.

[56] References Cited

U.S. PATENT DOCUMENTS

- D. 269,822 7/1983 Barthel D99/28
- D. 303,439 9/1989 Savio et al. D99/28
- D. 317,071 5/1991 McFadden et al. D99/28
- D. 318,553 7/1991 Brown D99/28
- D. 323,656 2/1992 McGarvey et al. D14/146

1 Claim, 3 Drawing Sheets



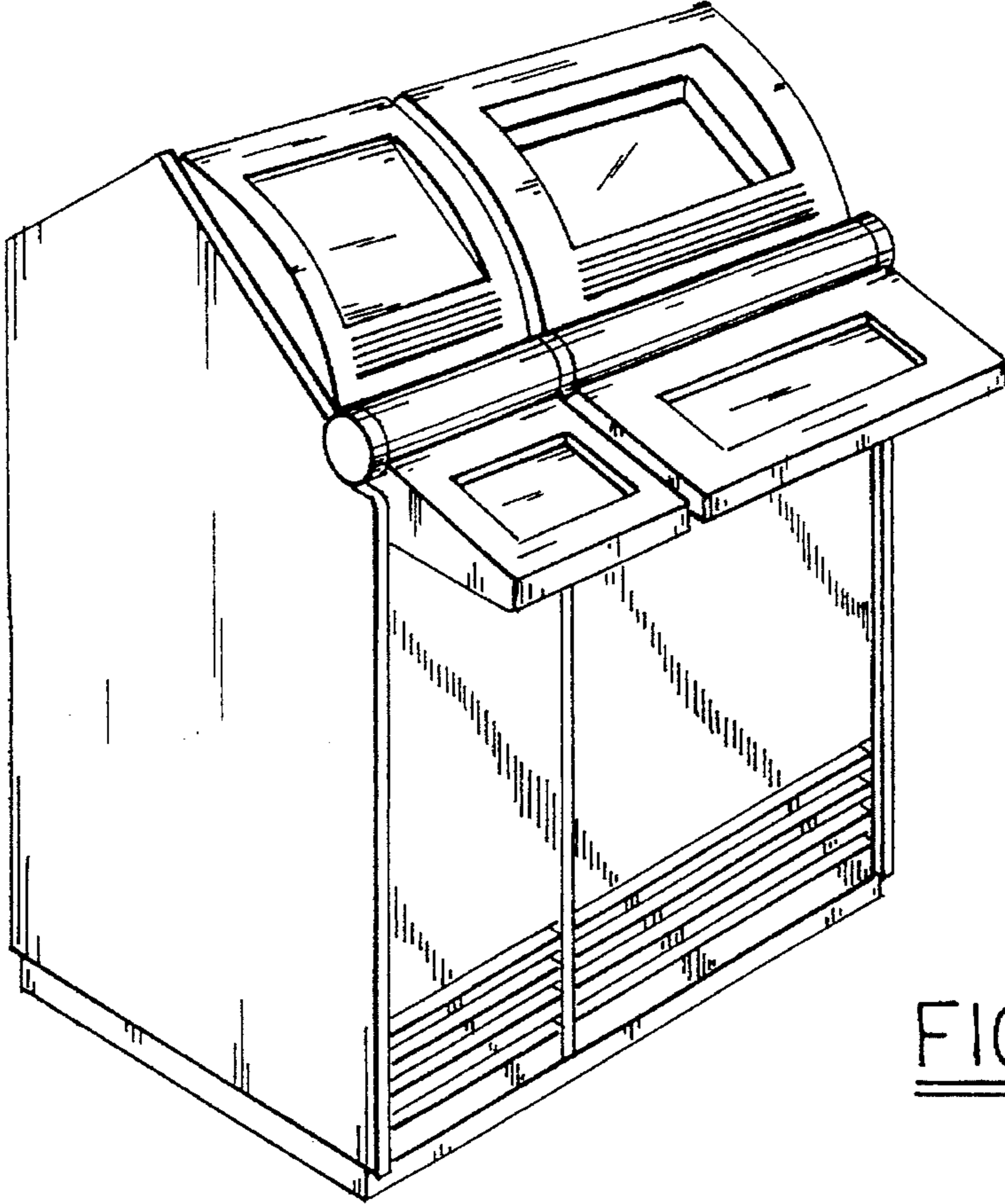


FIG. 1

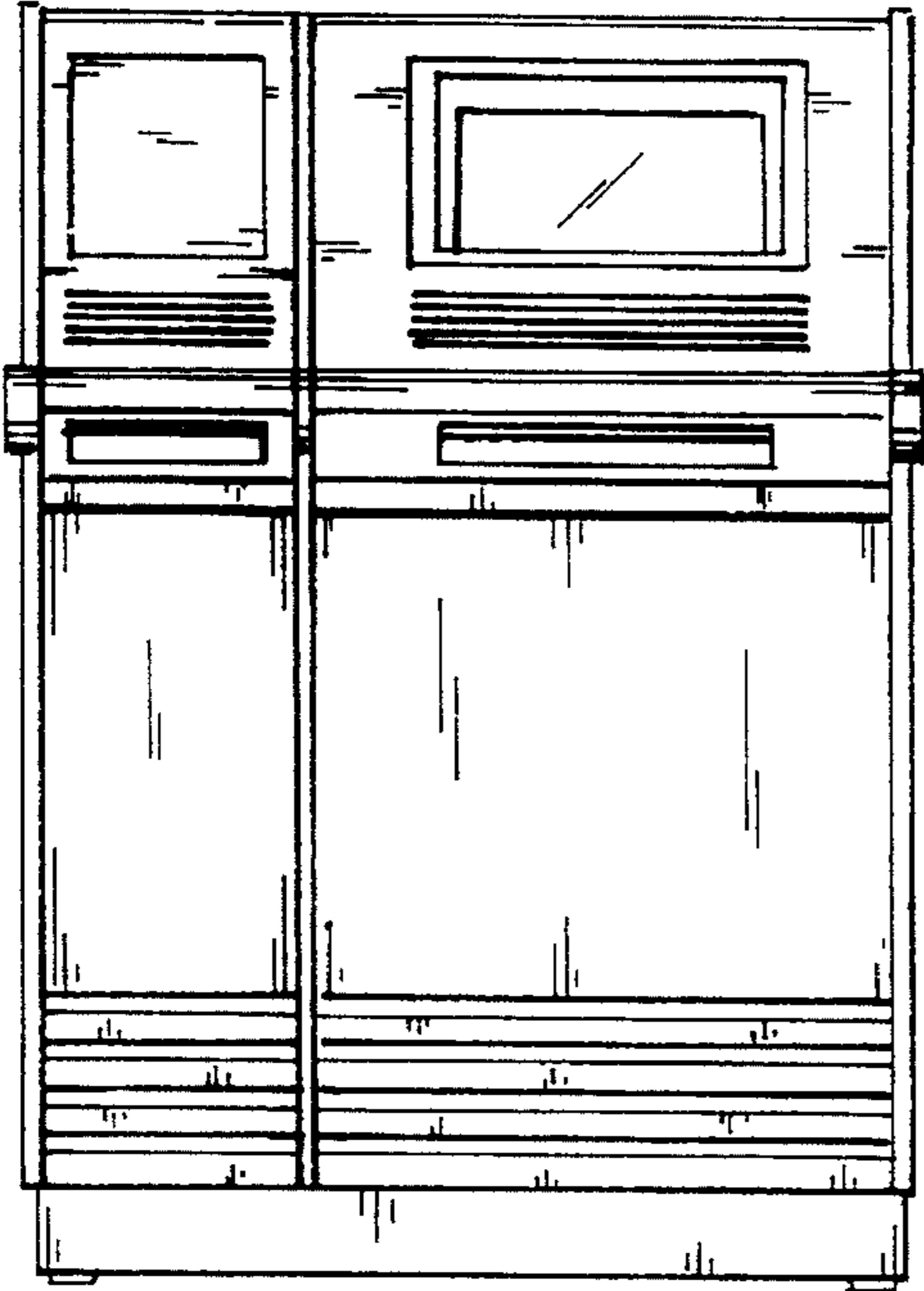


FIG. 2

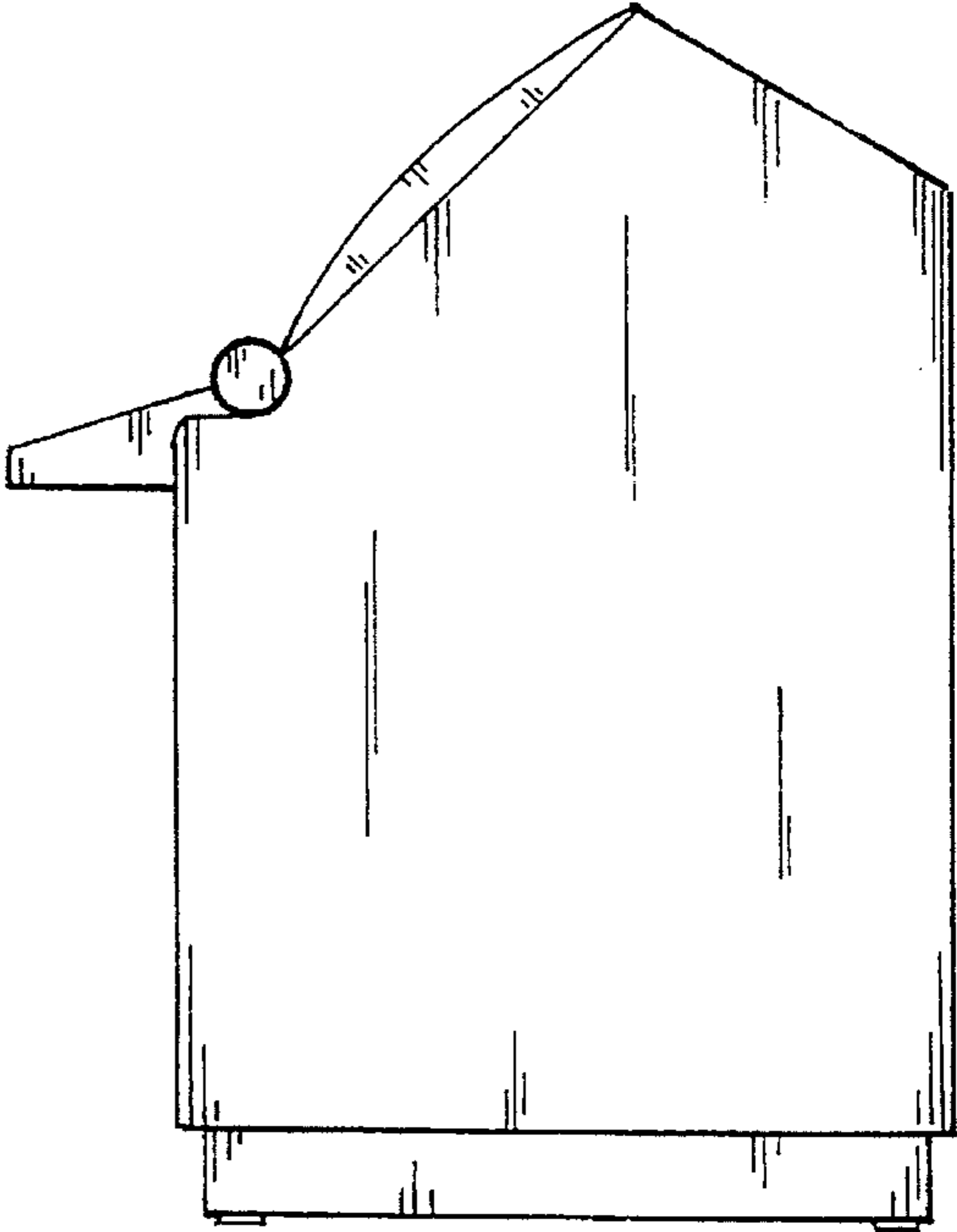


FIG. 3

FIG. 6

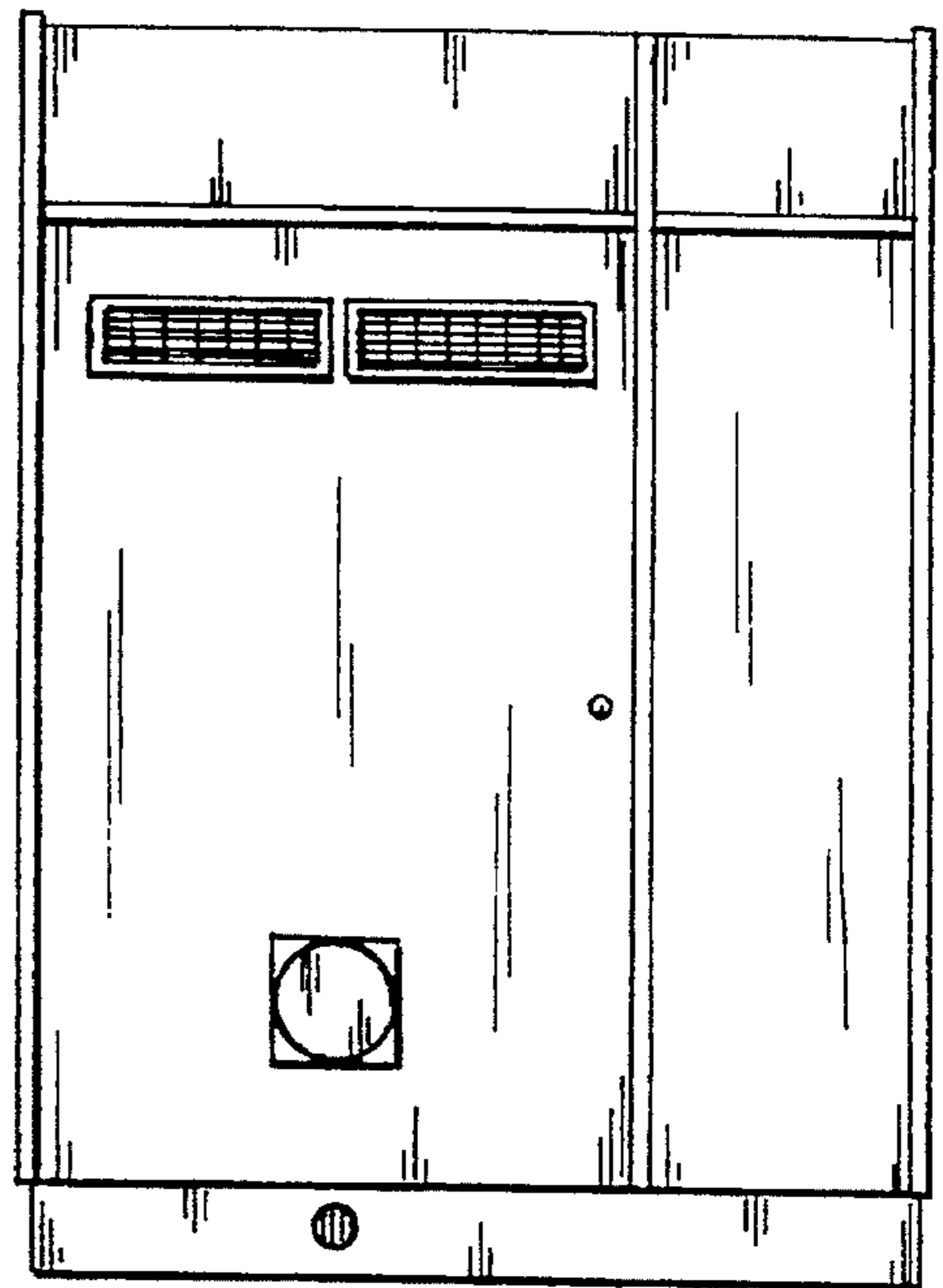
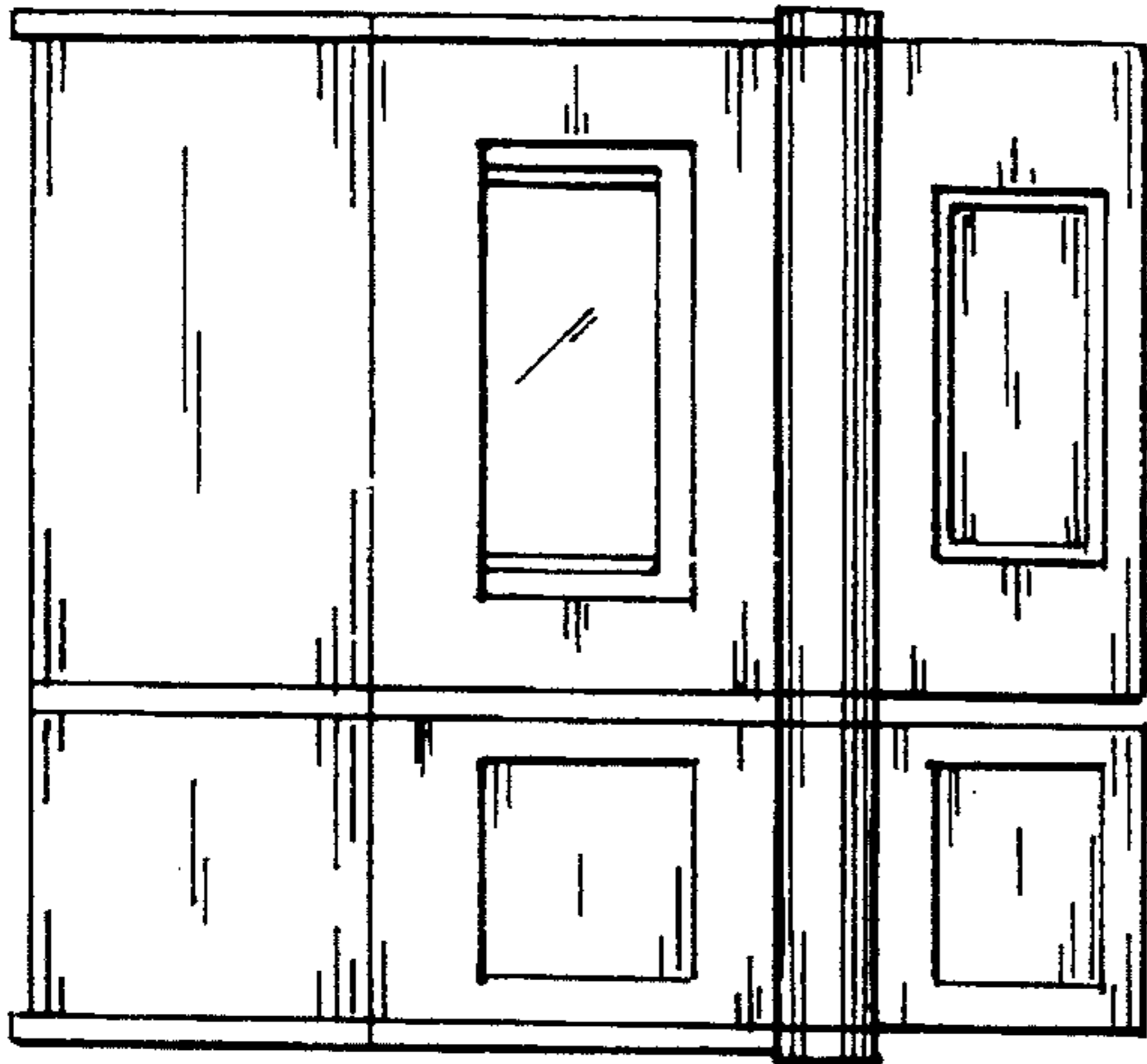


FIG. 5

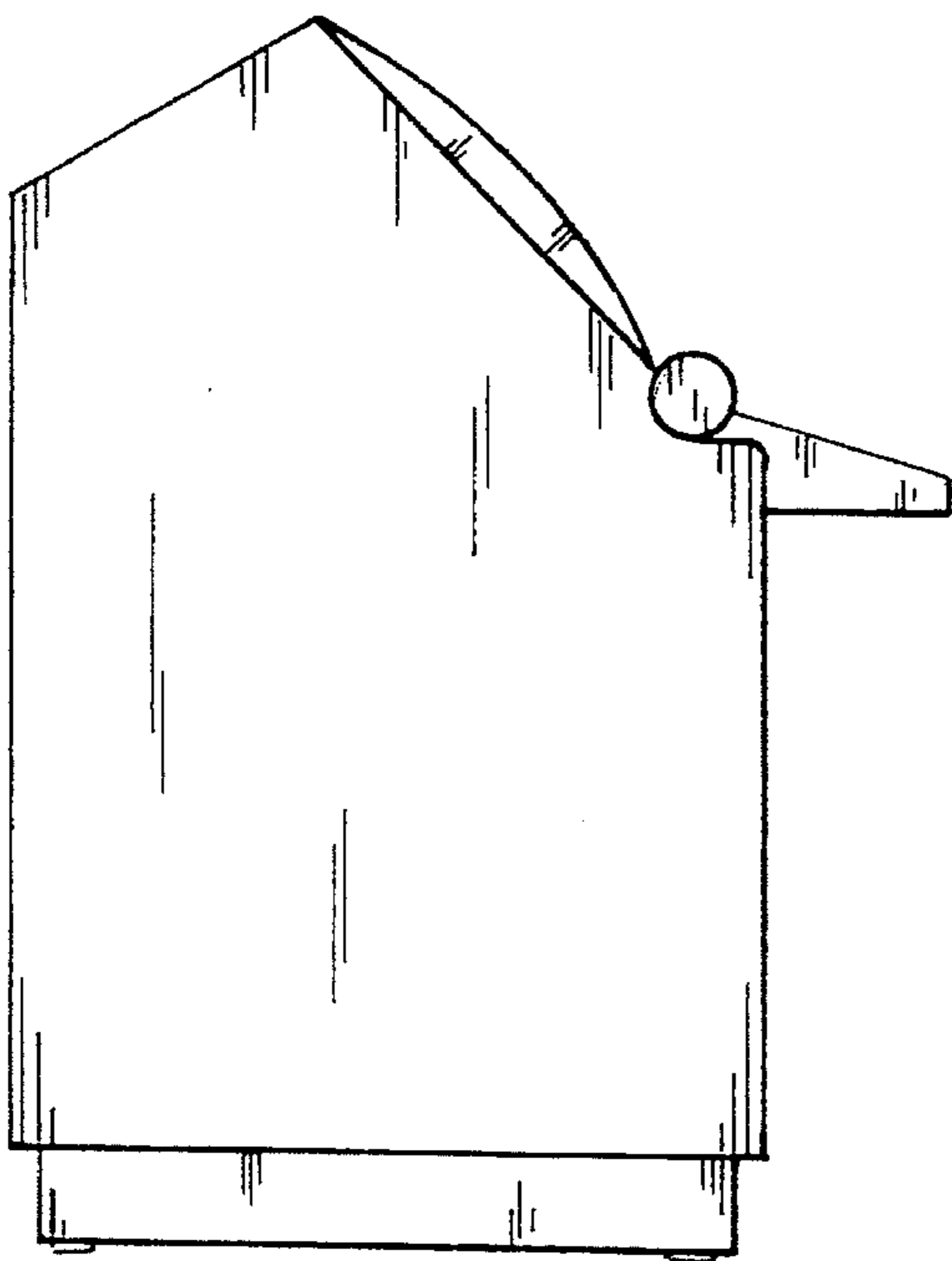


FIG. 4

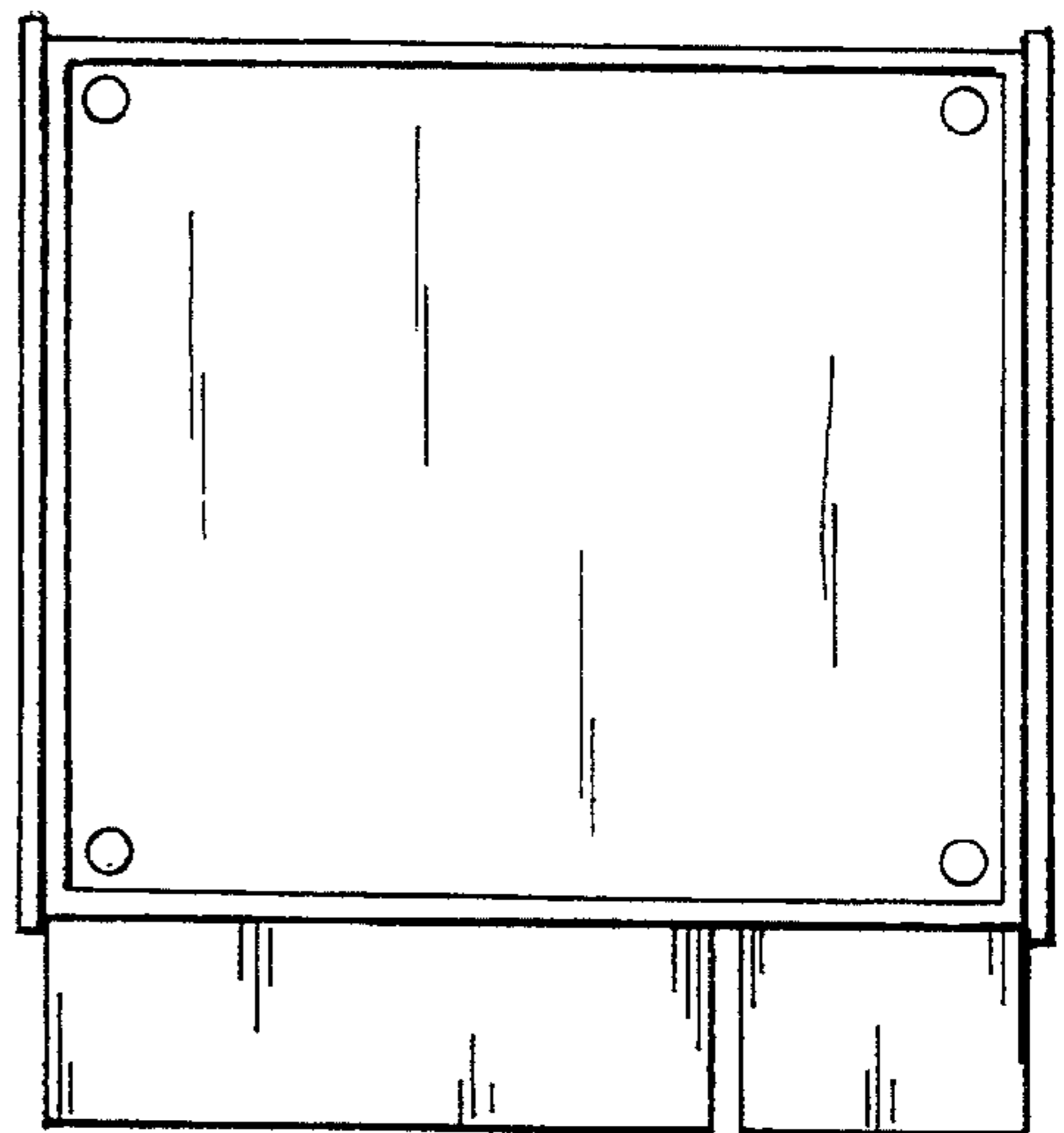


FIG. 7

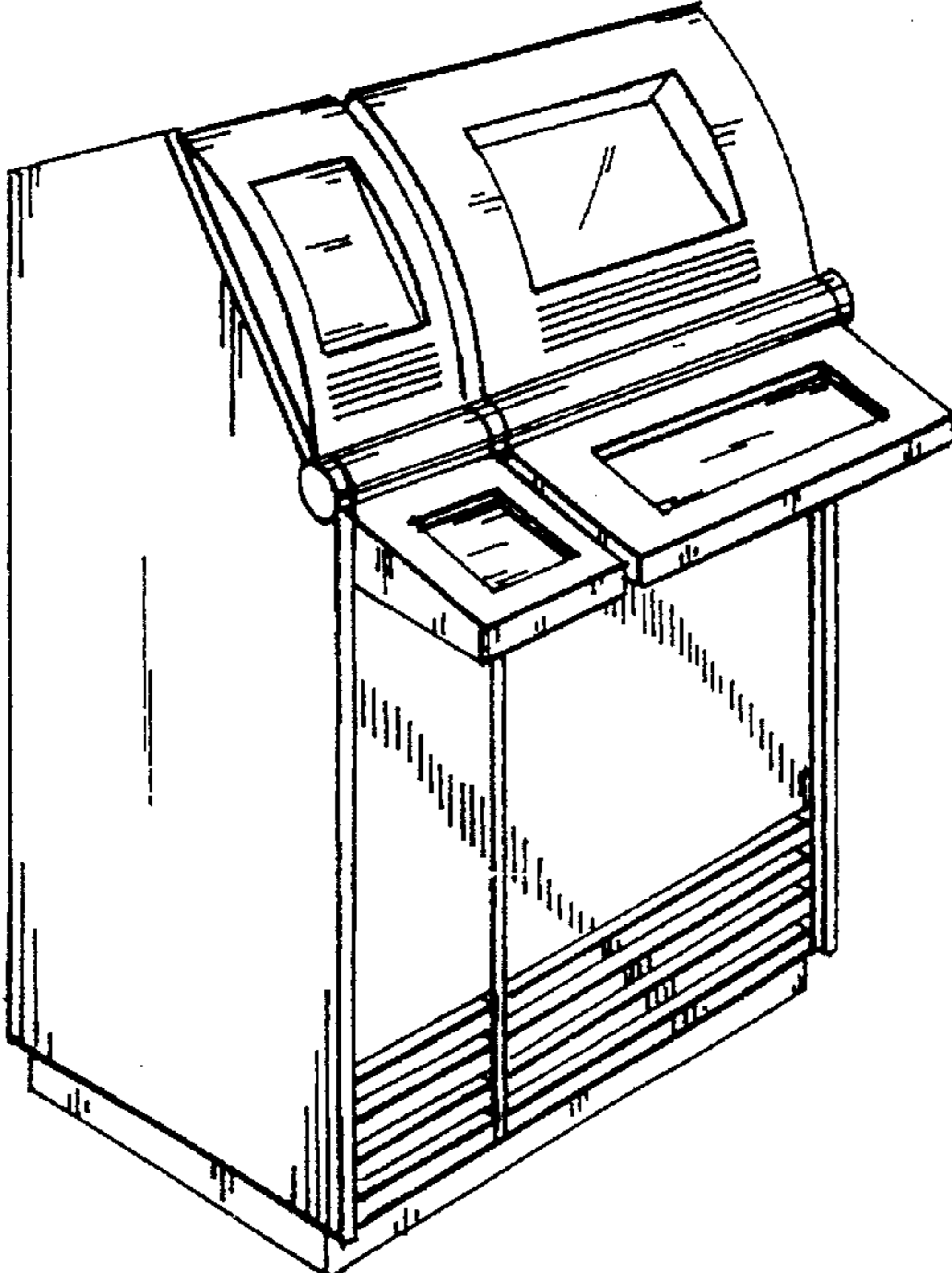


FIG. 8

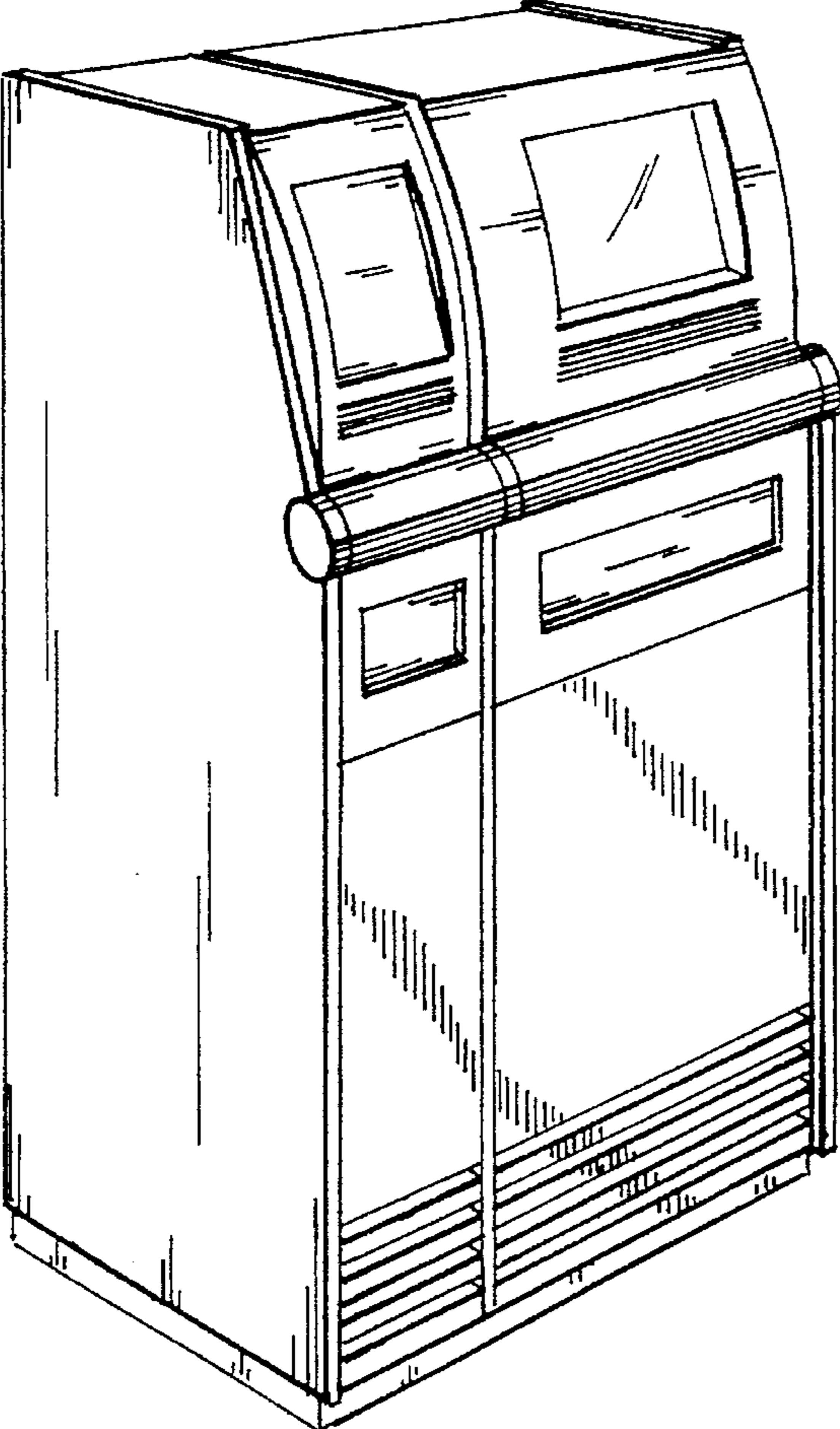


FIG. 9