



US00D365187S

United States Patent [19]

[11] **Patent Number: Des. 365,187**

Tsai

[45] **Date of Patent: **Dec. 12, 1995**

[54] **HAND TRUCK**

FOREIGN PATENT DOCUMENTS

[76] Inventor: **James Tsai**, 103, Ta Ming 1 Rd., Tung Pao Tsun, Tan Tzu Hsiang, Taichung Hsien, Taiwan

4183673 6/1992 Japan 280/654

Primary Examiner—Kay H. Chin
Attorney, Agent, or Firm—Bacon & Thomas

[**] Term: **14 Years**

[57] **CLAIM**

[21] Appl. No.: **30,293**

The ornamental design for a hand truck, as shown and described.

[22] Filed: **Oct. 26, 1994**

DESCRIPTION

[52] U.S. Cl. **D34/26; D34/24**

FIG. 1 is a perspective view of a hand truck showing the new design;

[58] **Field of Search** D34/12, 24, 26;
280/655, 654, 47.18, 79.11, 652, 47.27,
47.29, 47.28

FIG. 2 is a front elevation view thereof;

FIG. 3 is a rear elevation view thereof;

FIG. 4 is a right side elevation view thereof;

FIG. 5 is a left side elevation view thereof;

FIG. 6 is a top plan view thereof;

FIG. 7 is a bottom plan view thereof; and,

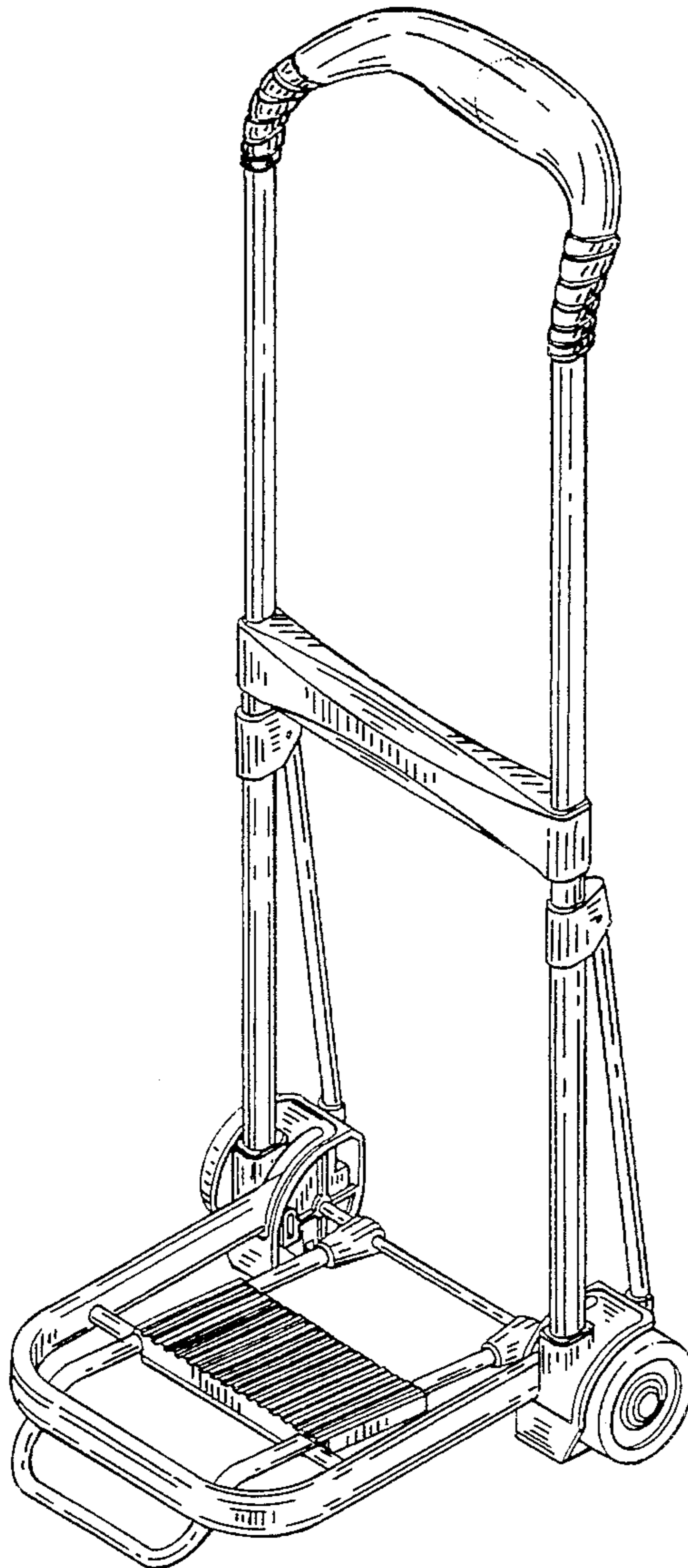
FIG. 8 is a perspective view showing the hand truck in fold condition.

[56] **References Cited**

U.S. PATENT DOCUMENTS

D. 253,638	12/1979	Killingsworth	D34/26
342,363	5/1886	Kelly	.	
4,040,642	8/1977	David	280/654
5,127,664	7/1992	Cheng	280/47.18

1 Claim, 5 Drawing Sheets



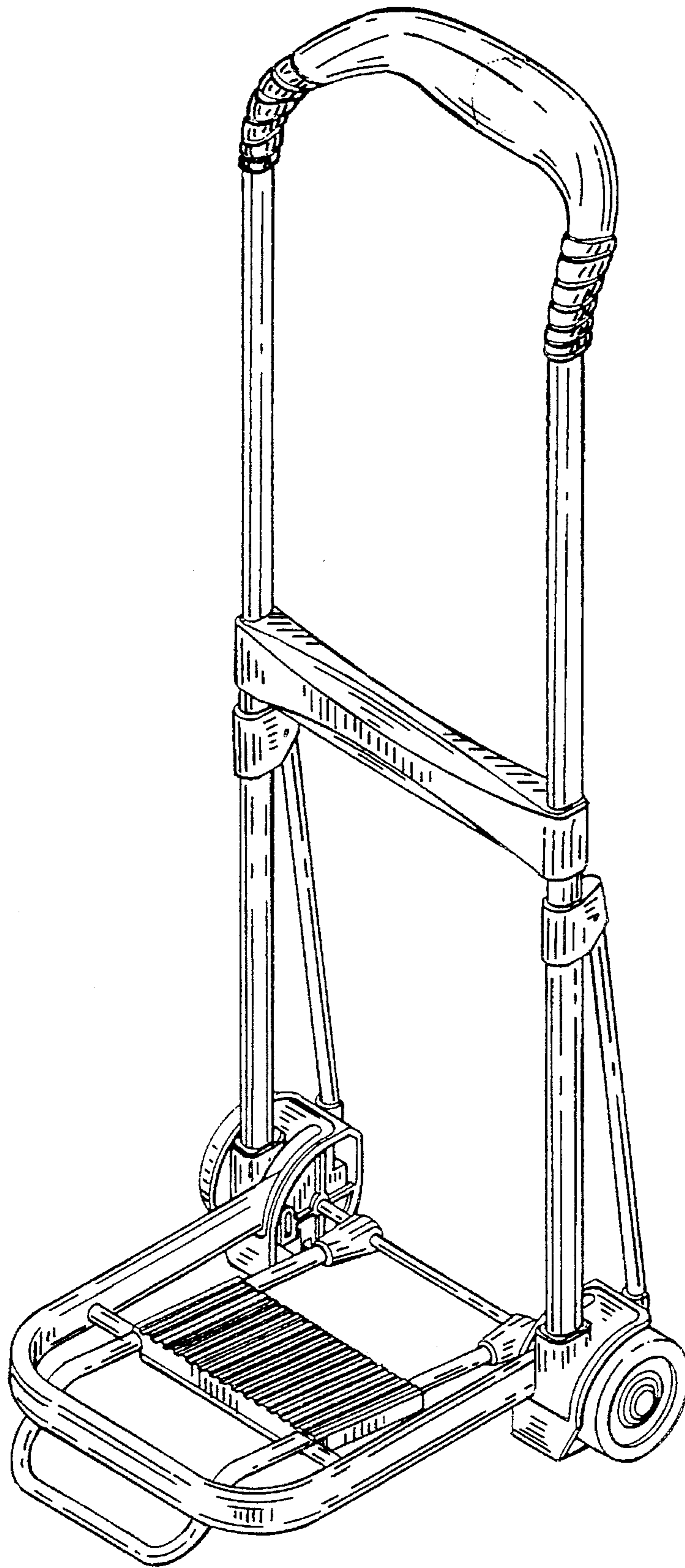


FIG. 1

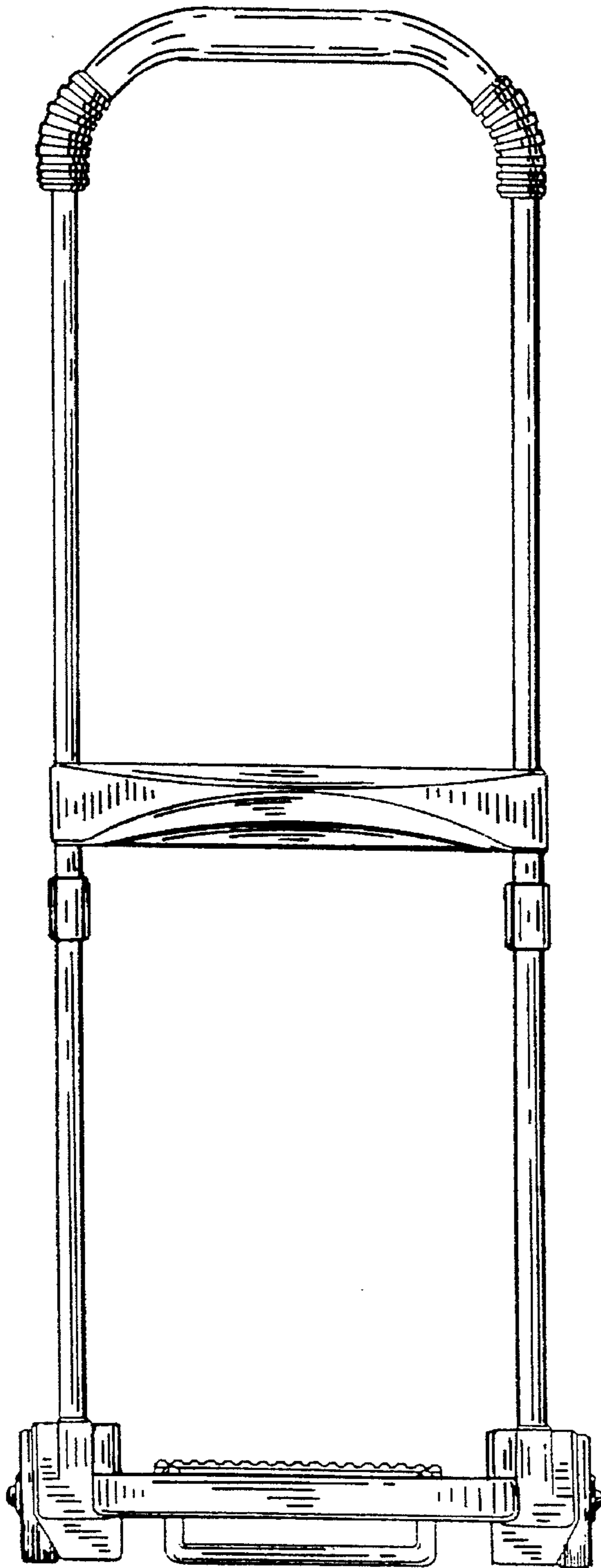


FIG. 2

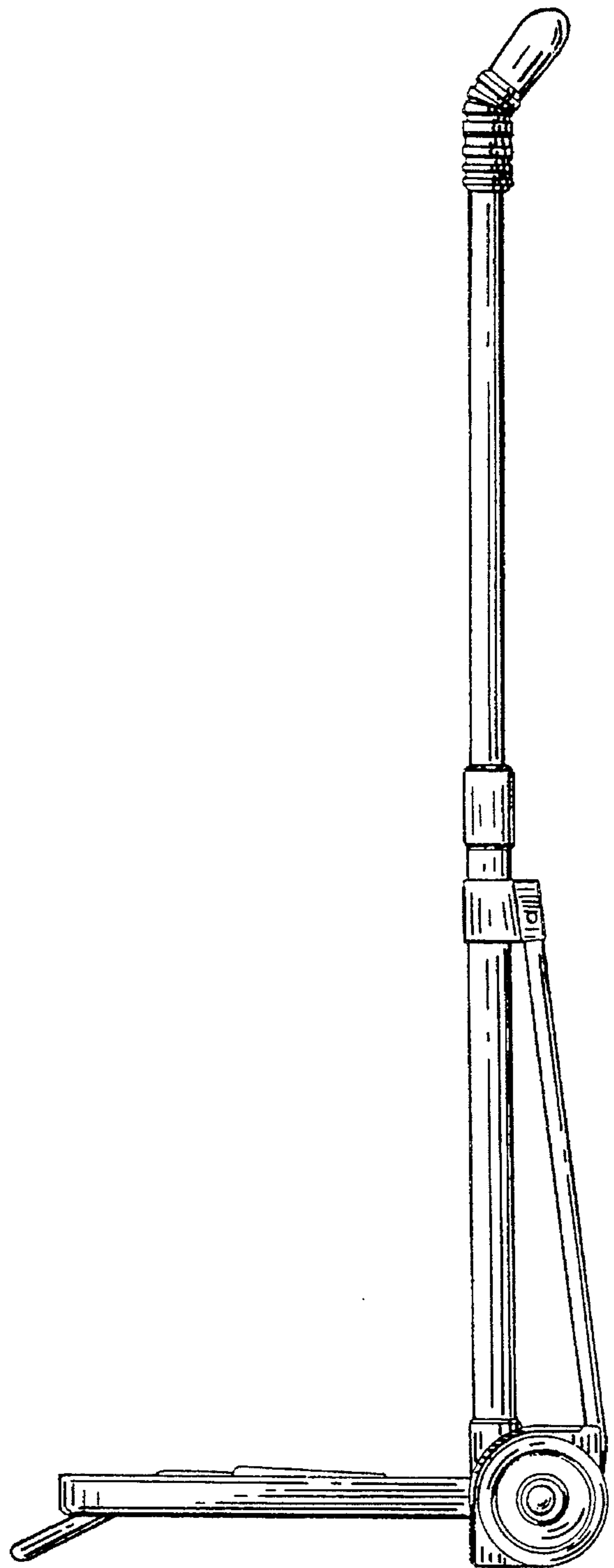


FIG. 4

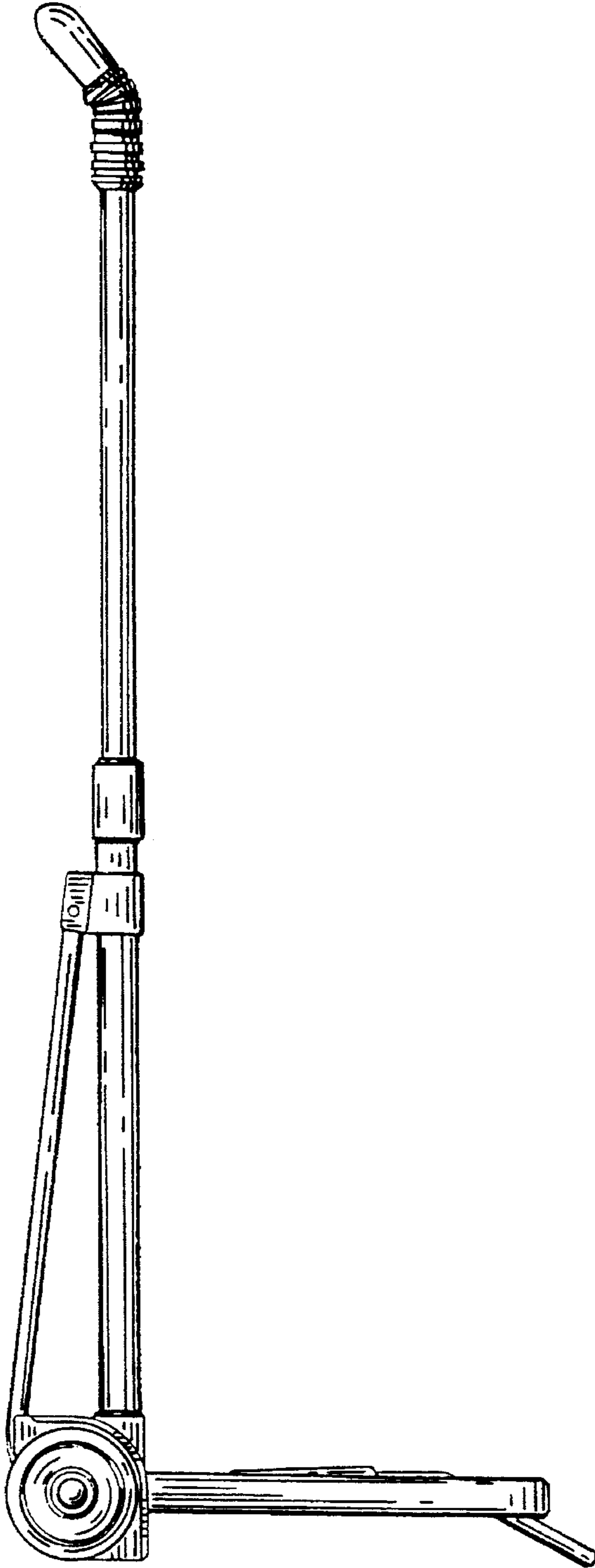


FIG. 5

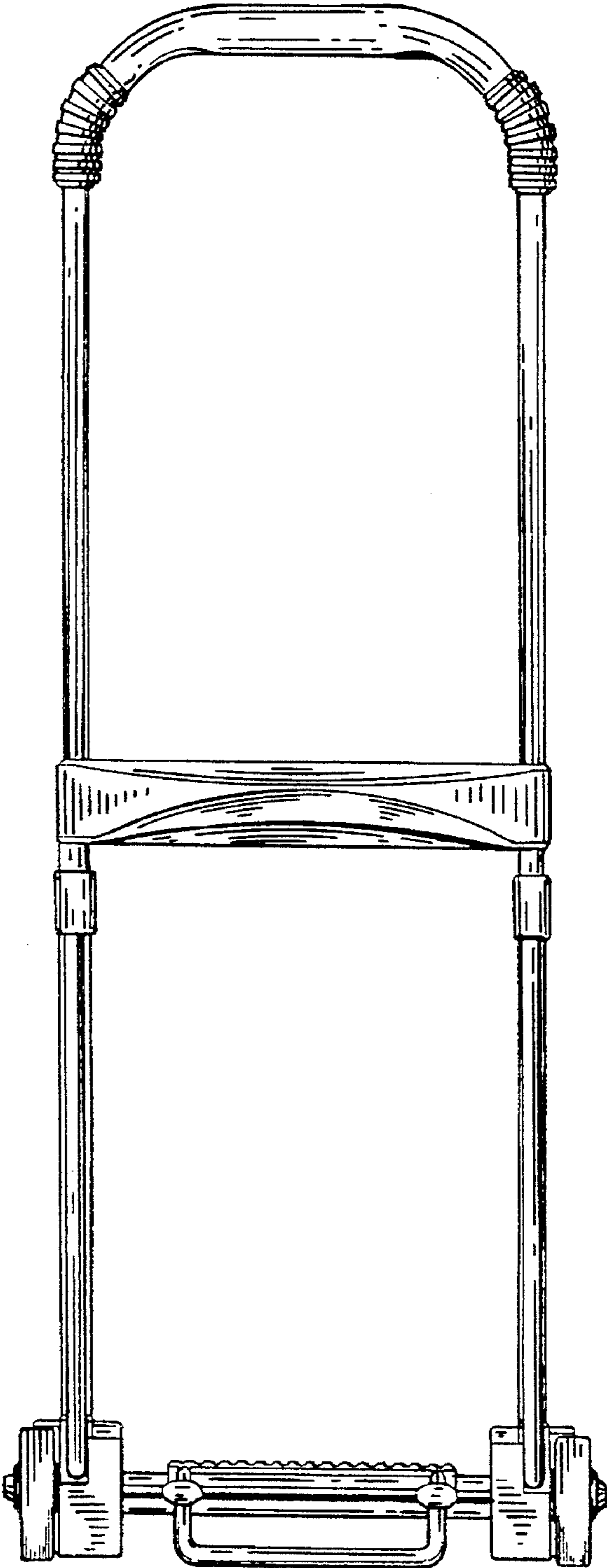


FIG. 3

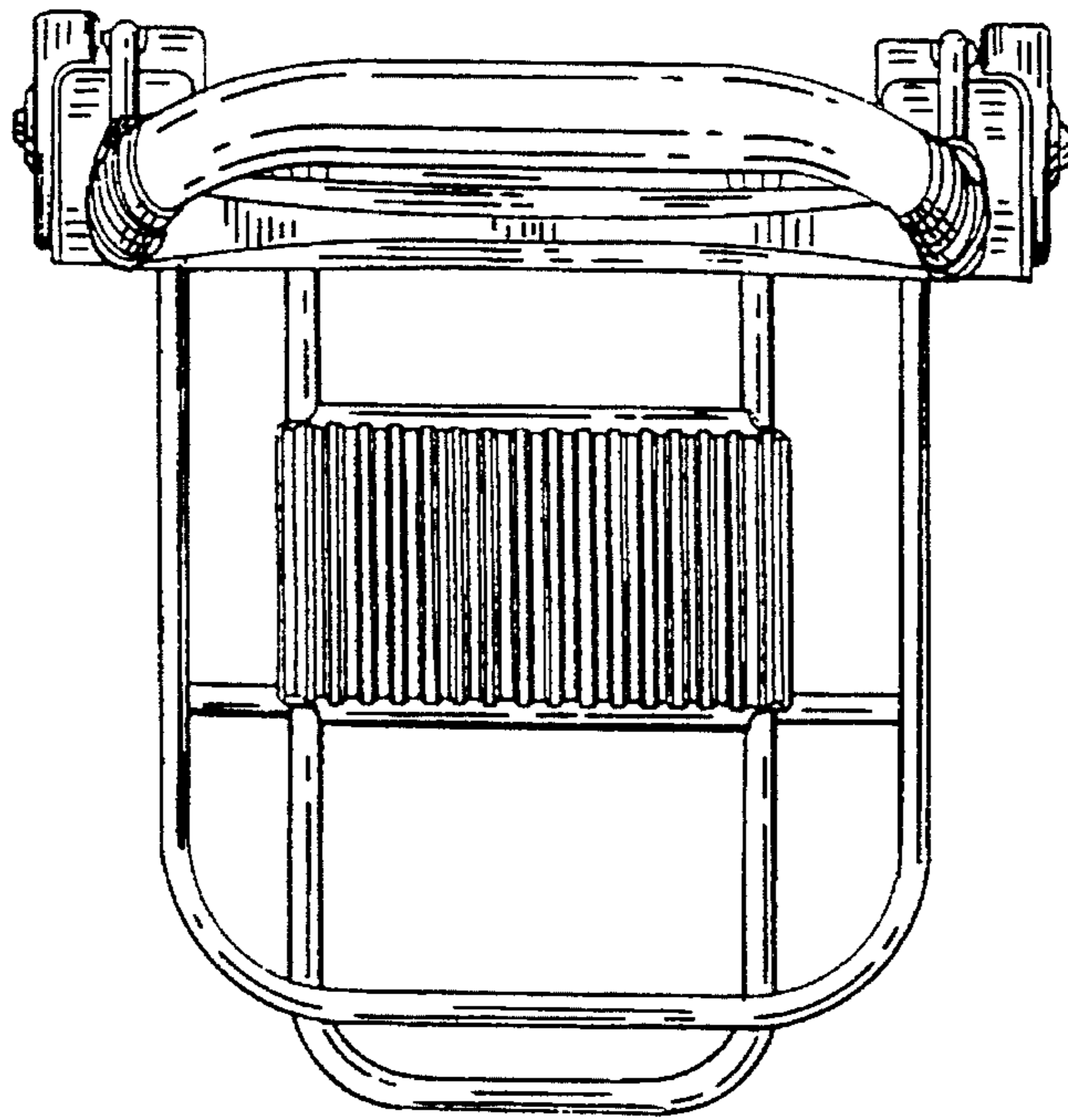


FIG. 6

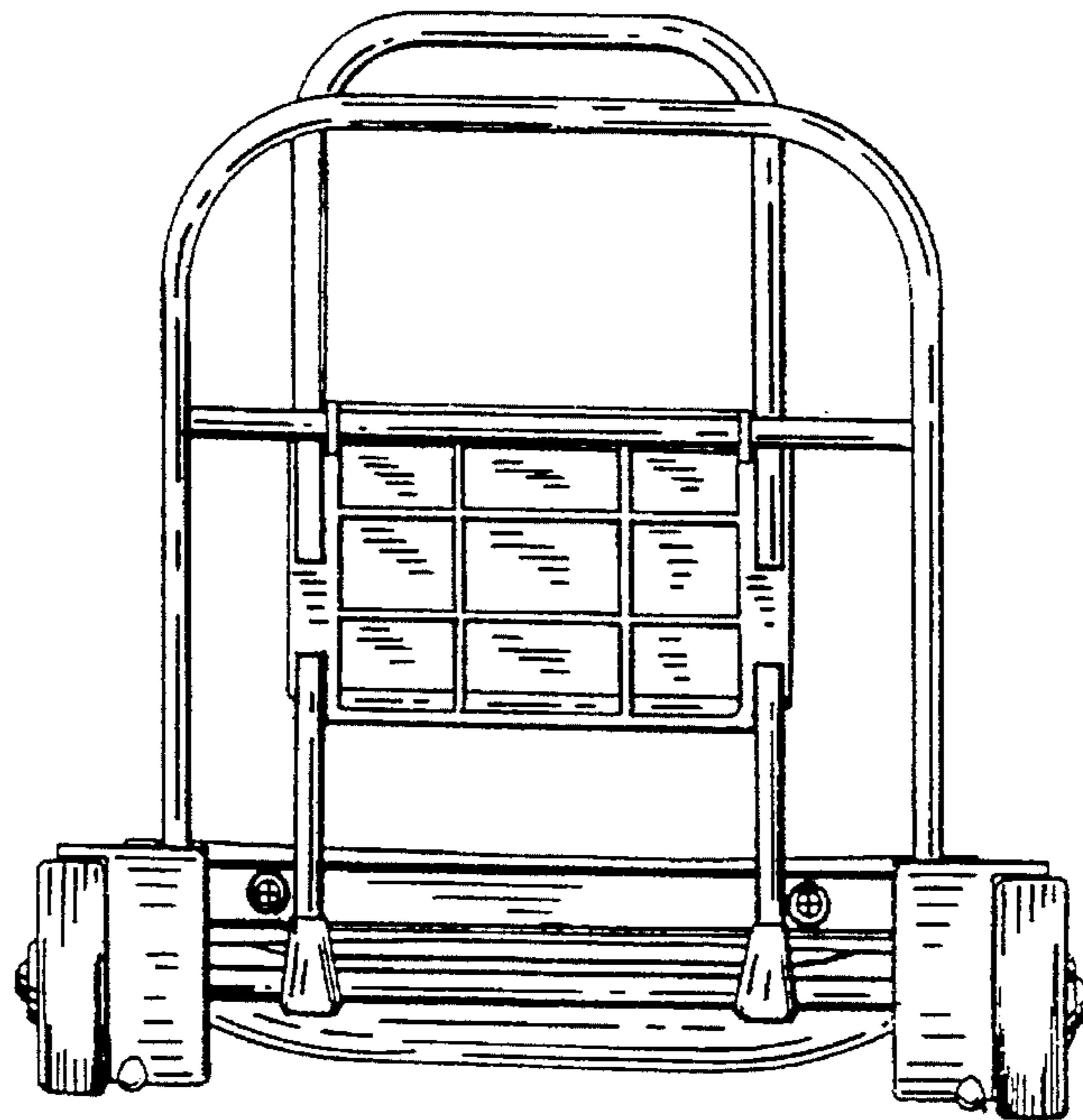


FIG. 7

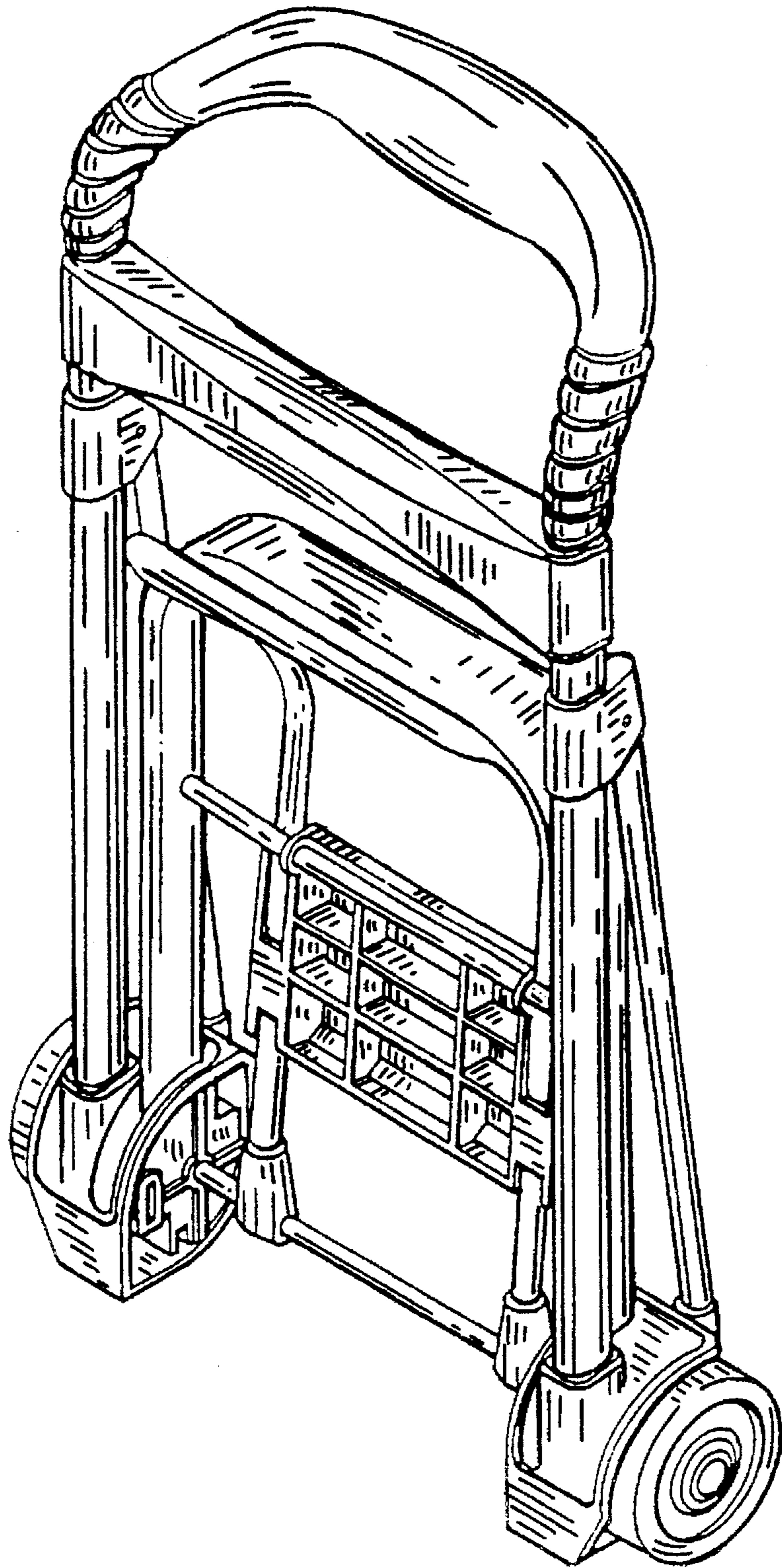


FIG. 8